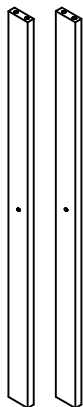


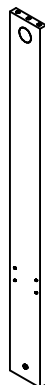
Ax2



Bx2



Cx2



Dx2



D-1x2



Ex4



Fx26



Gx6



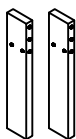
Hx3



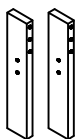
Ix4



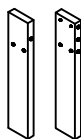
Jx4



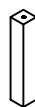
Kx1



Lx2



Mx1



Nx2



Ox1



M6x $\frac{120}{4.7}$

Px5



Qx8



M6x $\frac{100}{3.9}$

Rx4



M6x $\frac{60}{2.4}$

Sx4



M7x $\frac{60}{2.4}$

Tx6



M3.5x $\frac{32}{1.3}$

Ux30



M3.5x $\frac{28}{1.1}$

Vx128



Wx1



Xx32



Wx10



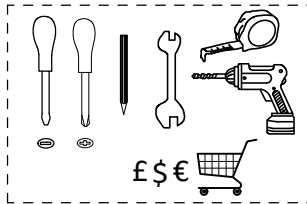
Zx10



AAx10



ABx16



£ \$ €



mm
inch

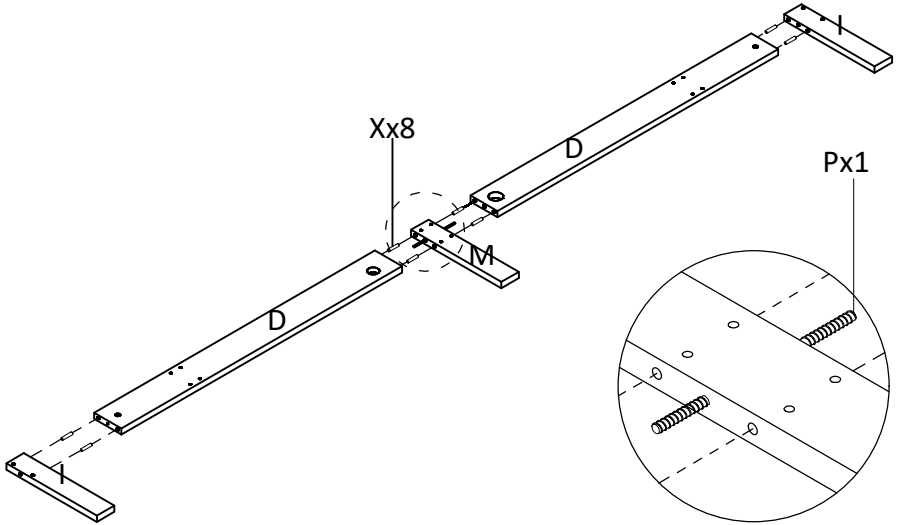
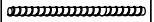
x2

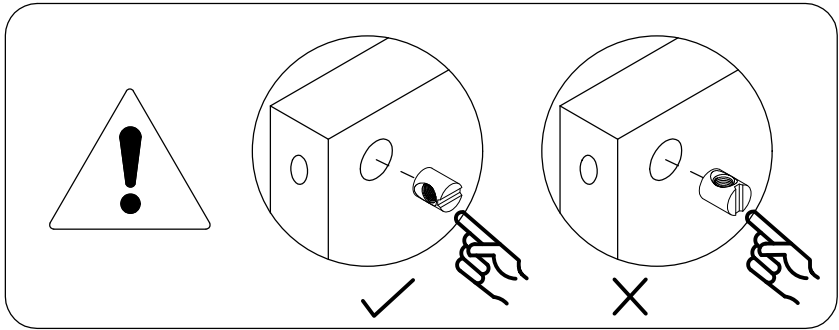
①

Xx8



Px1





②

ABx2



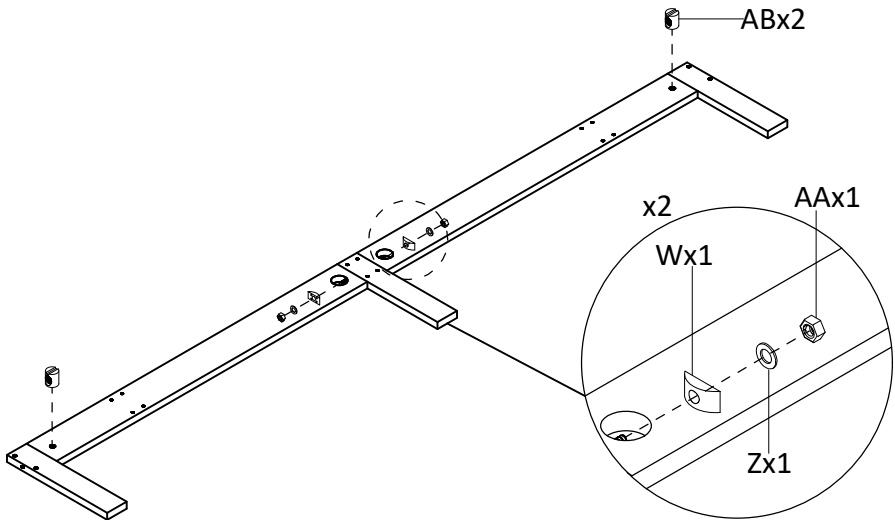
Wx2

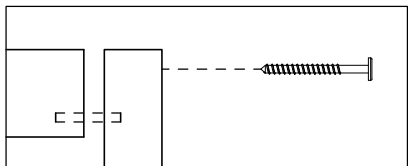


AAx2

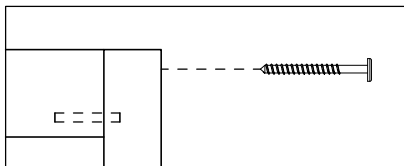


Zx2





✘



✔

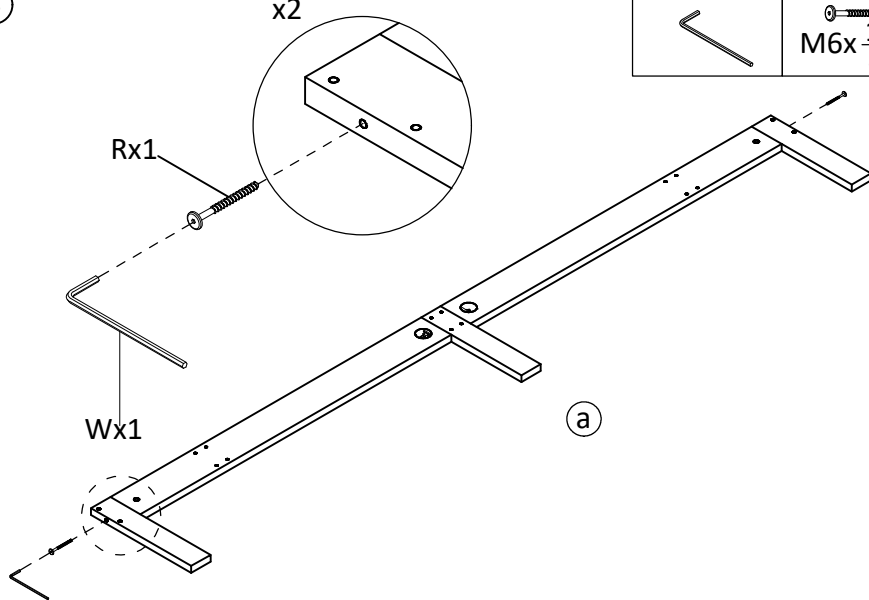
3

x2

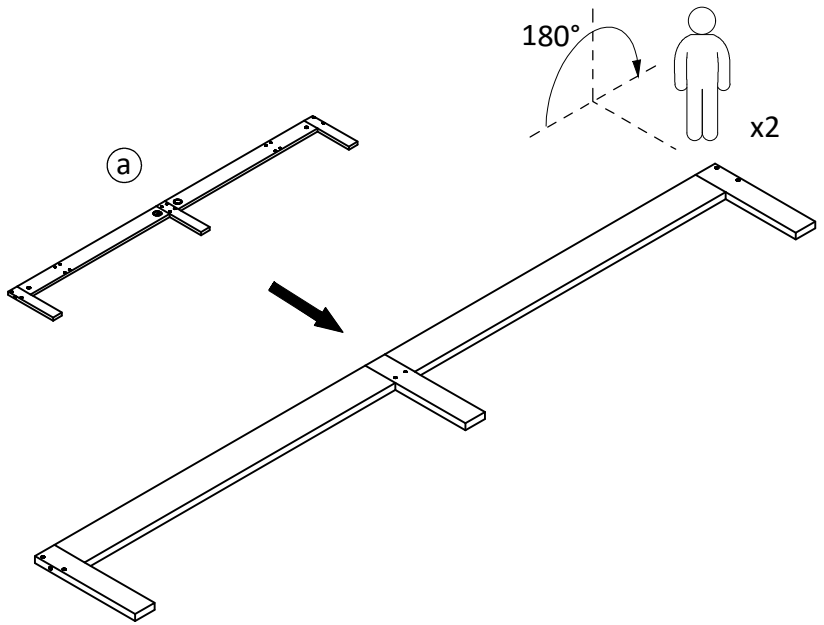
Wx1

Rx2

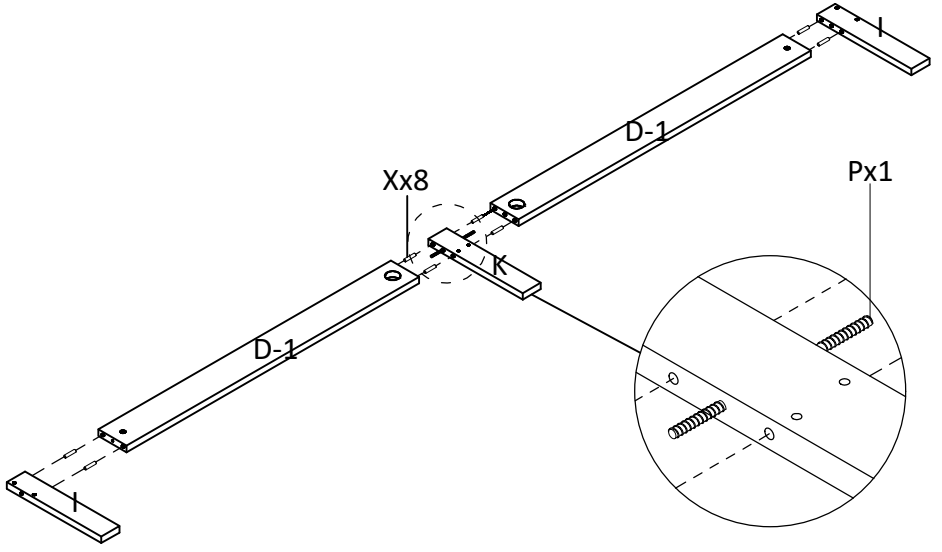
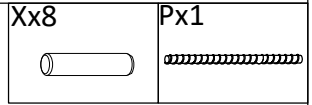
M6x $\frac{100}{3.9}$



4



5



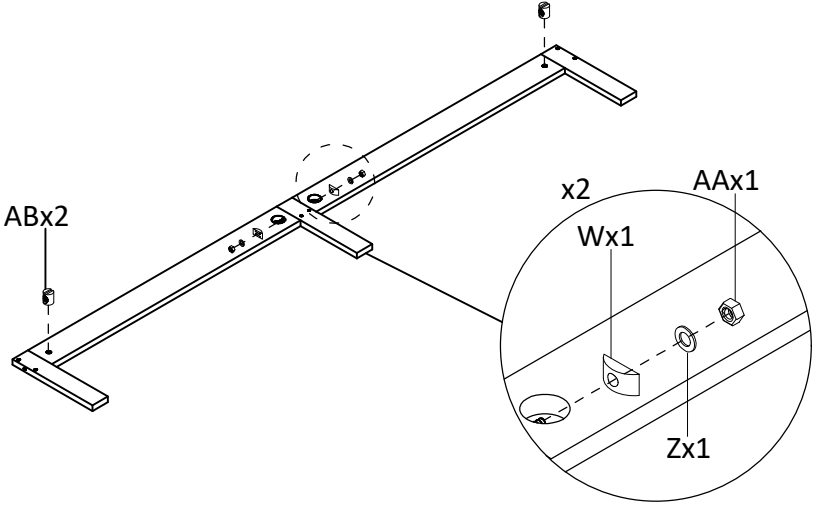
6

ABx2

Wx2

AAx2

Zx2



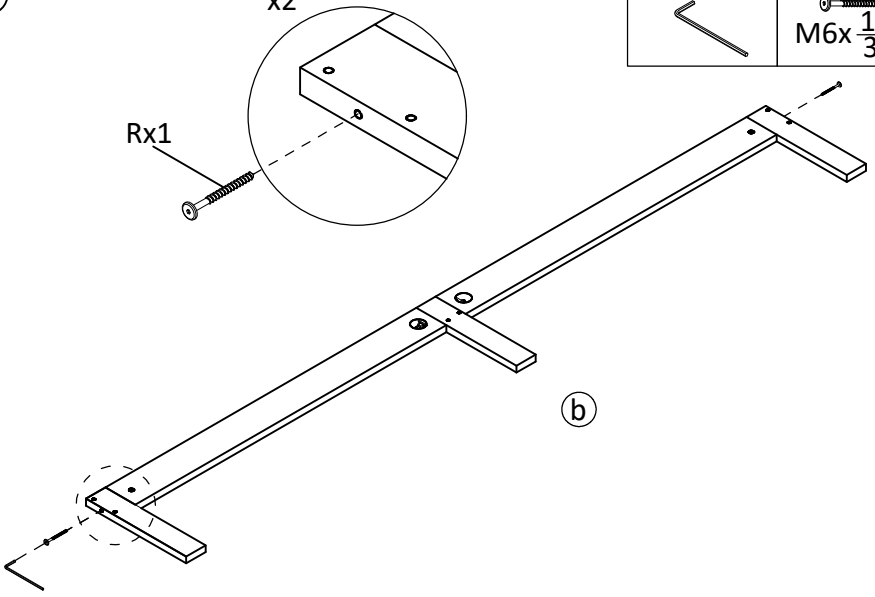
7

x2

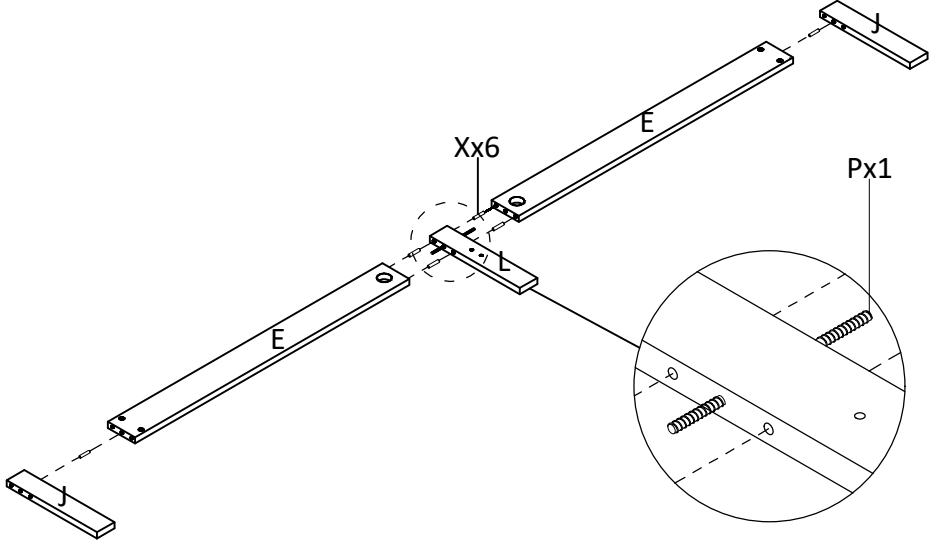
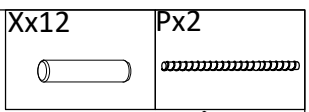
Wx1

Rx2

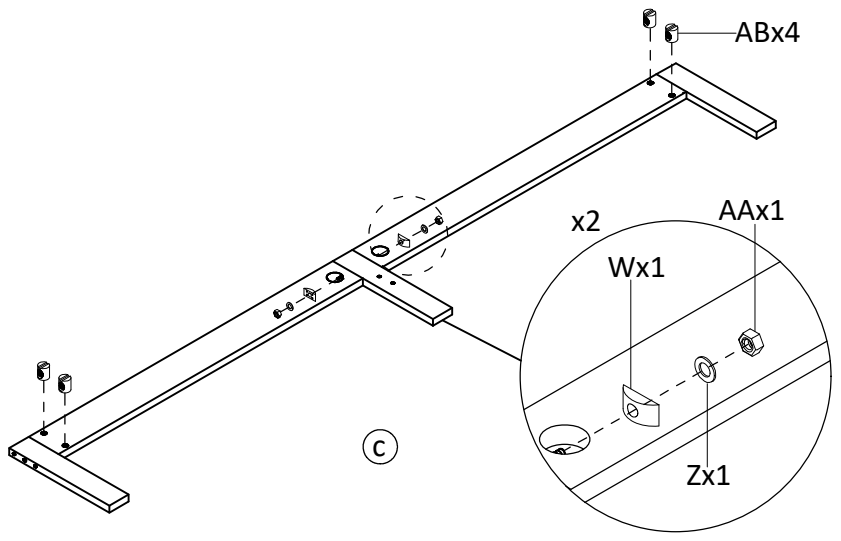
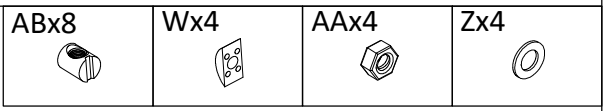
M6x $\frac{100}{3.9}$



8 x2



9 x2

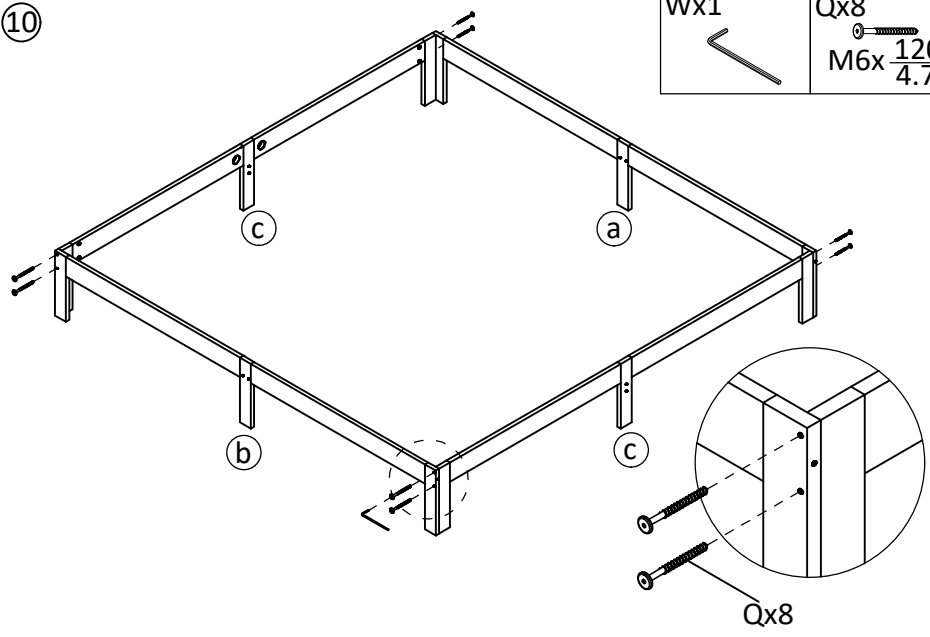


10

Wx1

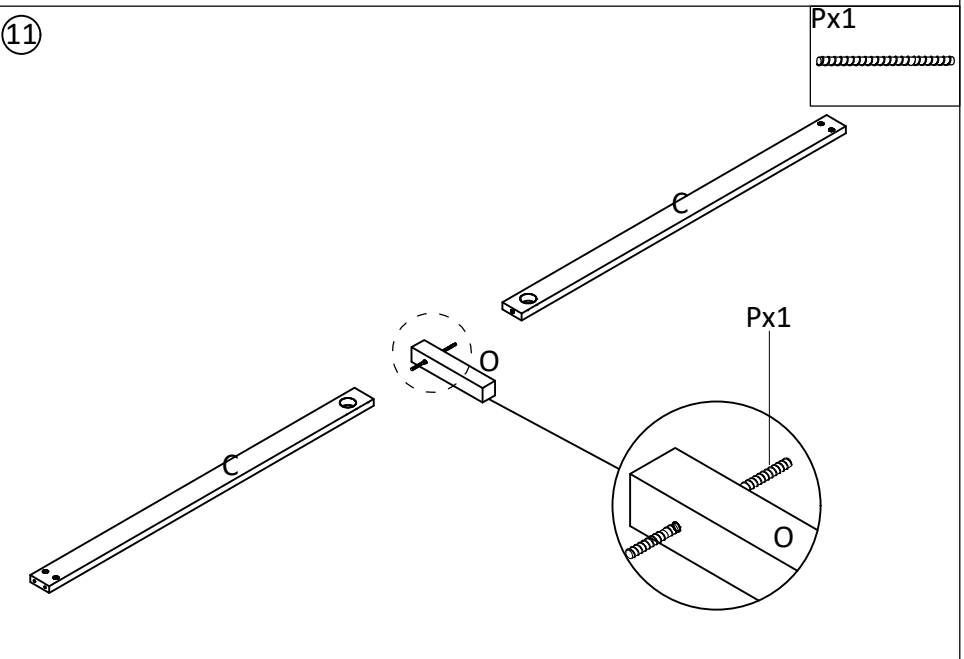
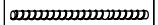
Qx8

M6x $\frac{120}{4.7}$

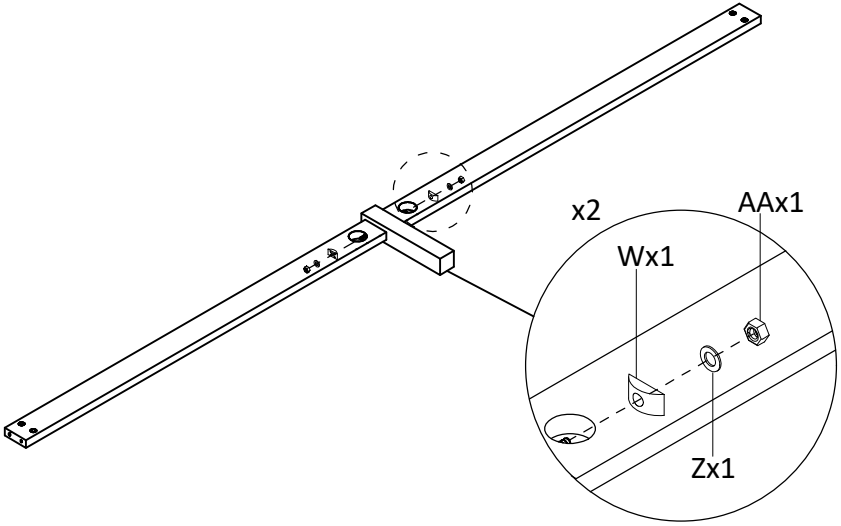
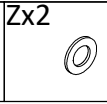
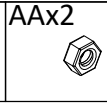
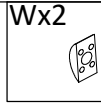


11

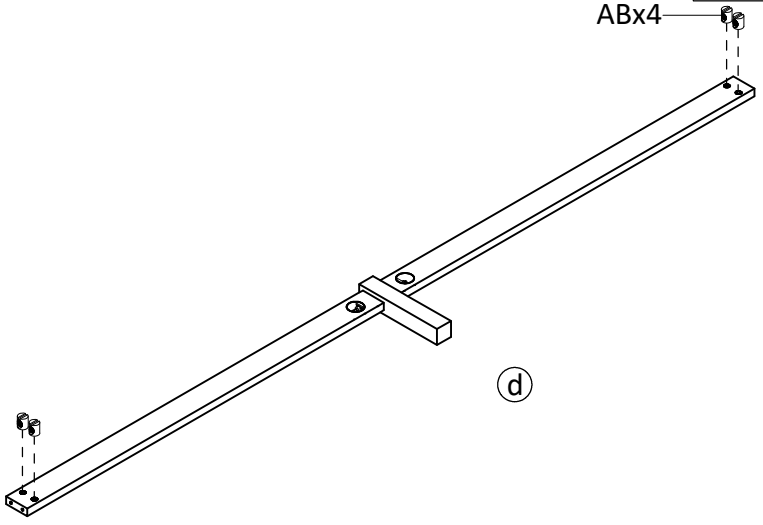
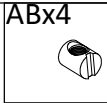
Px1



12



13

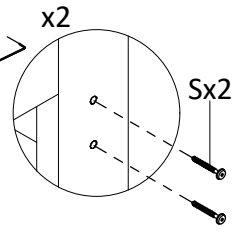
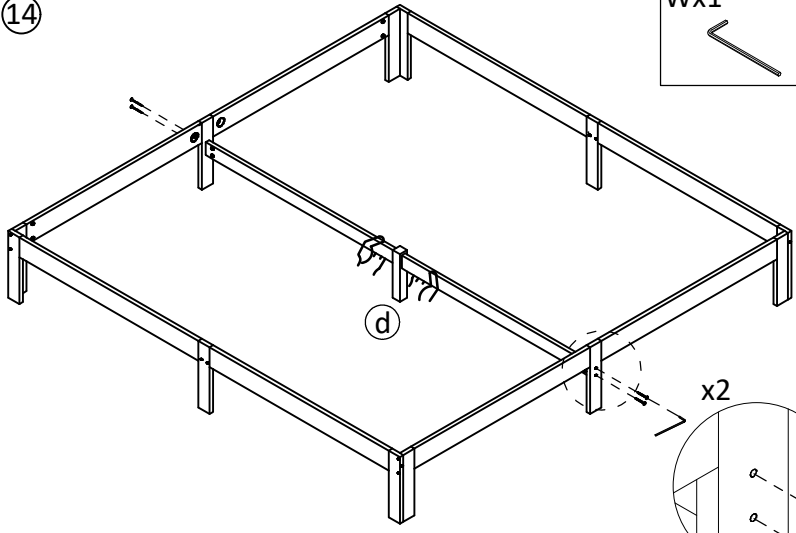


14

Wx1

Sx4

M6x $\frac{60}{2.4}$



15

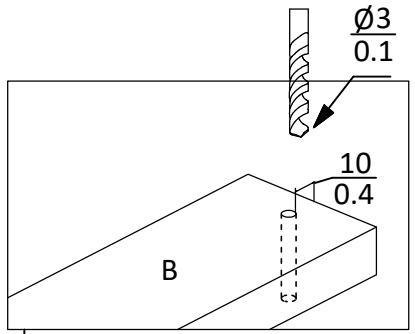
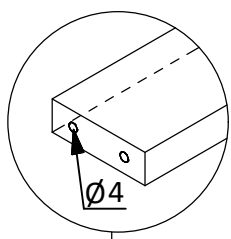
$\frac{\varnothing 3}{0.1}$

$\frac{10}{0.4}$

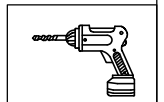
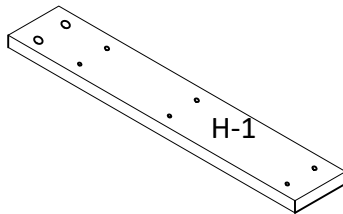
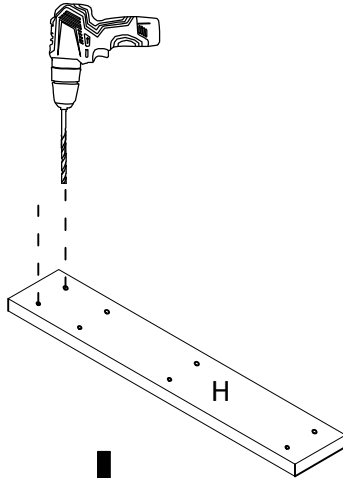
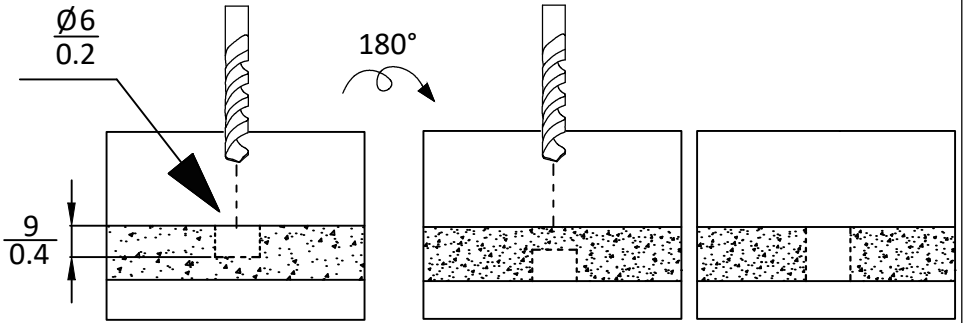
B

x2

$\varnothing 4$

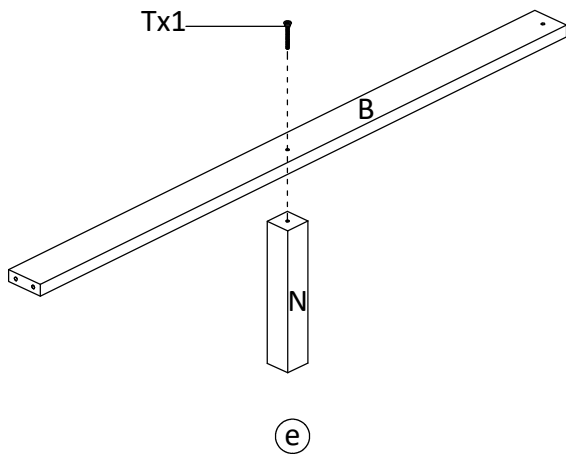


16



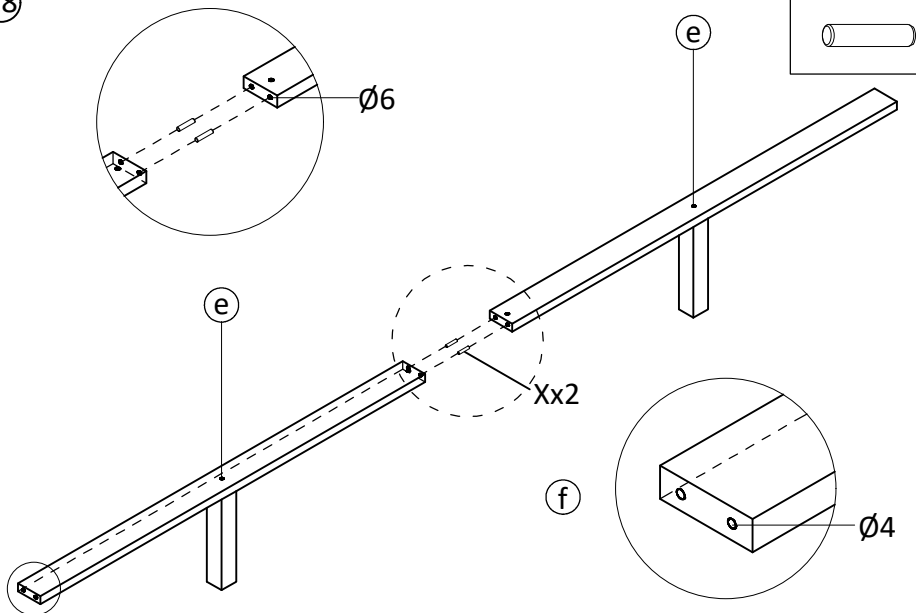
17 x2

Tx2
M7x $\frac{60}{2.4}$


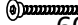



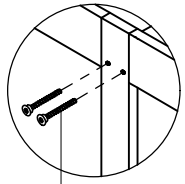
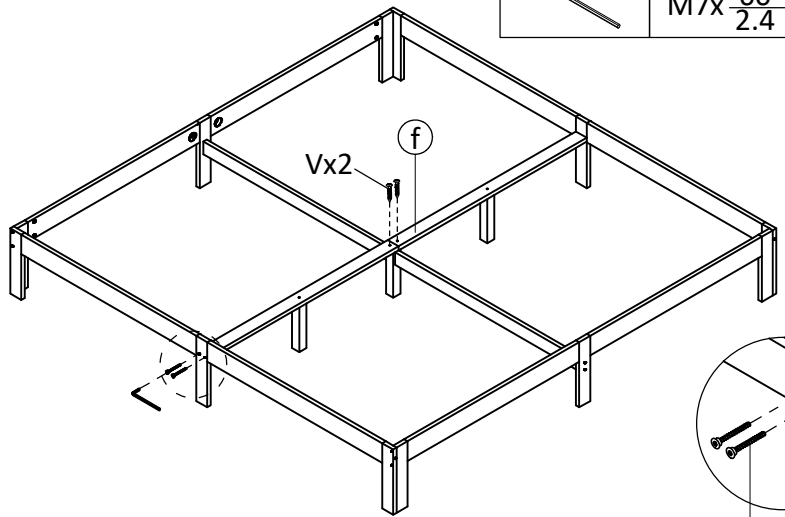
18

Xx2



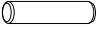
19

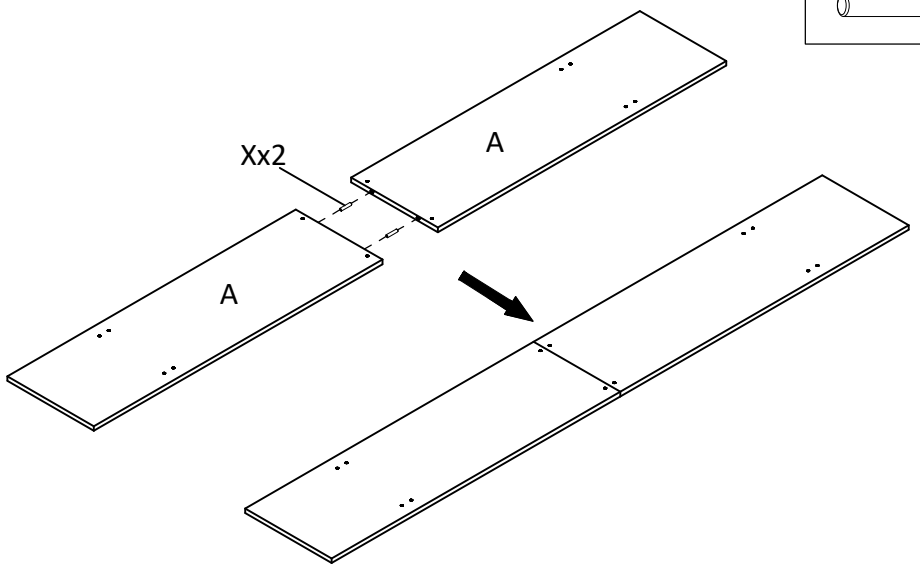
Wx1 	Tx2  M7x $\frac{60}{2.4}$	Vx2  M3.5x $\frac{28}{1.1}$
--	--	---




Tx2

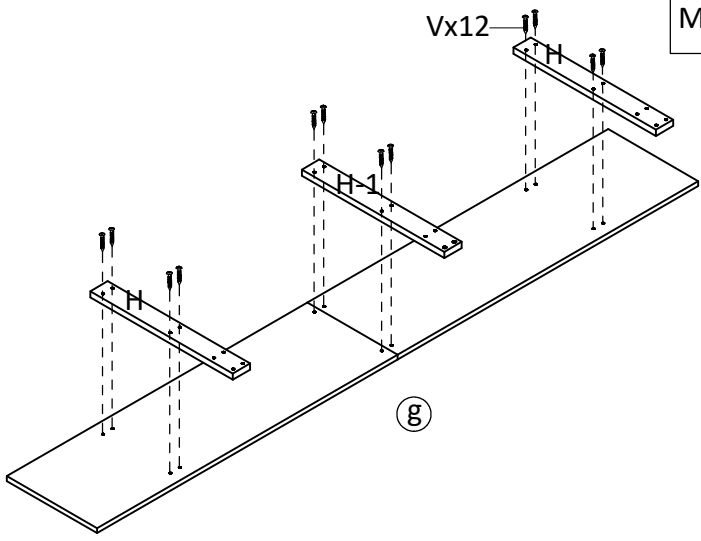
20

Xx2 




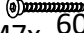
21


Vx12 
M3.5x $\frac{28}{1.1}$

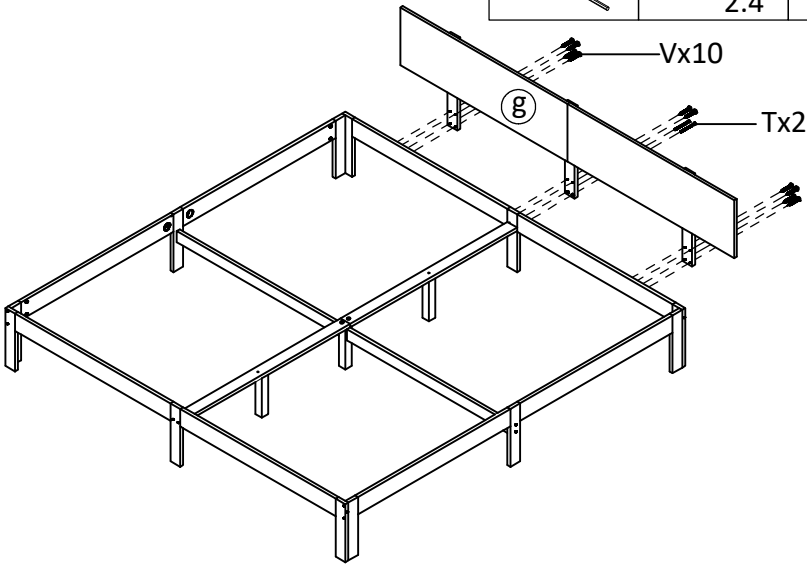


22

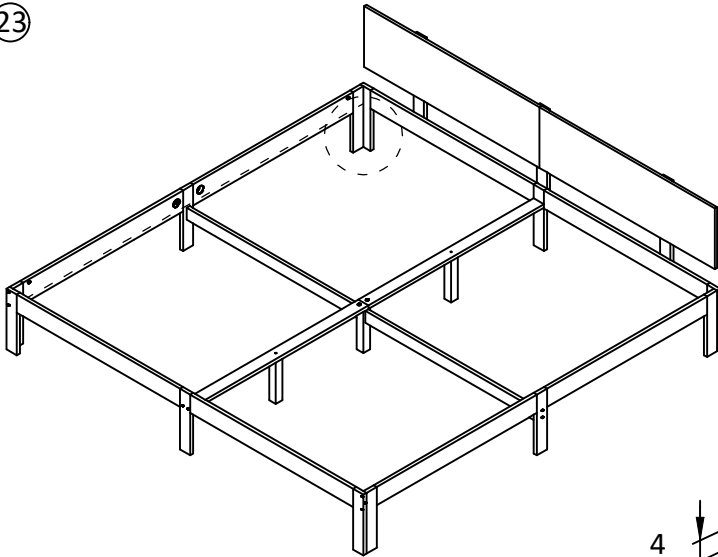
Wx1 

Tx2 
M7x $\frac{60}{2.4}$

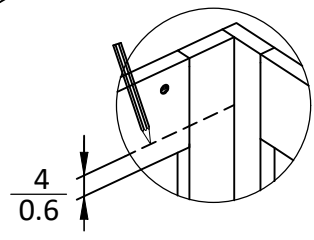
Vx10 
M3.5x $\frac{28}{1.1}$



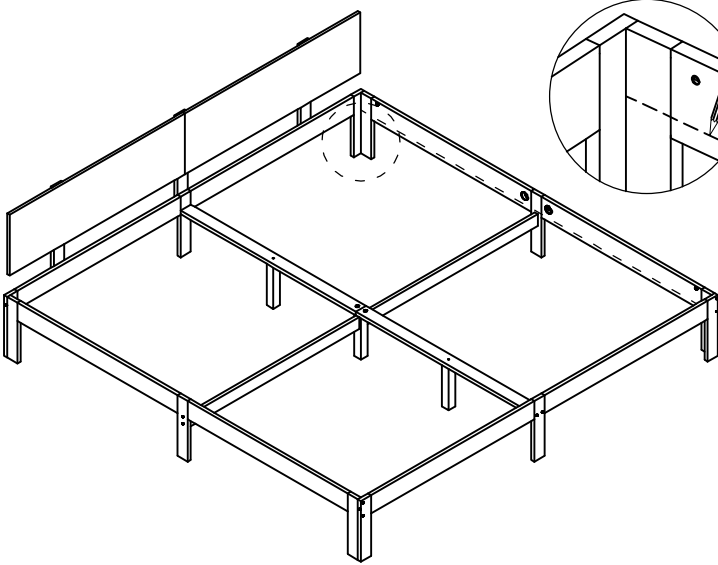
23



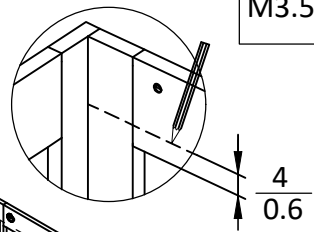
Ux15 Ø
M3.5x $\frac{32}{1.3}$



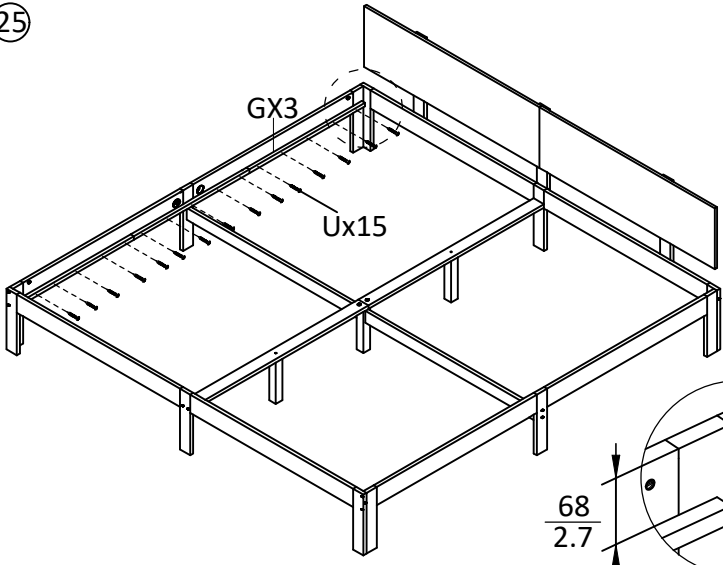
24



Ux15 Ø
M3.5x $\frac{32}{1.3}$

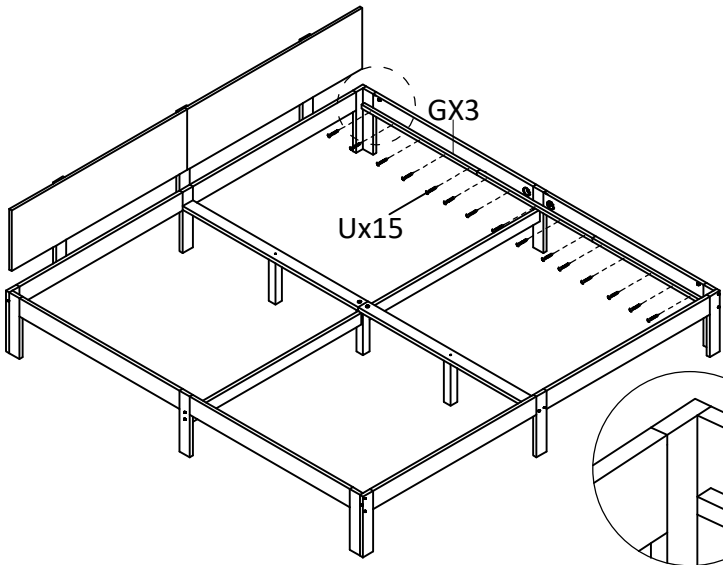


25



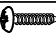
Ux15 \emptyset
M3.5x $\frac{32}{1.3}$

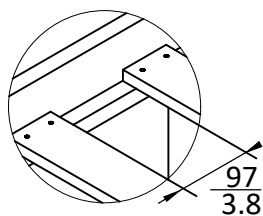
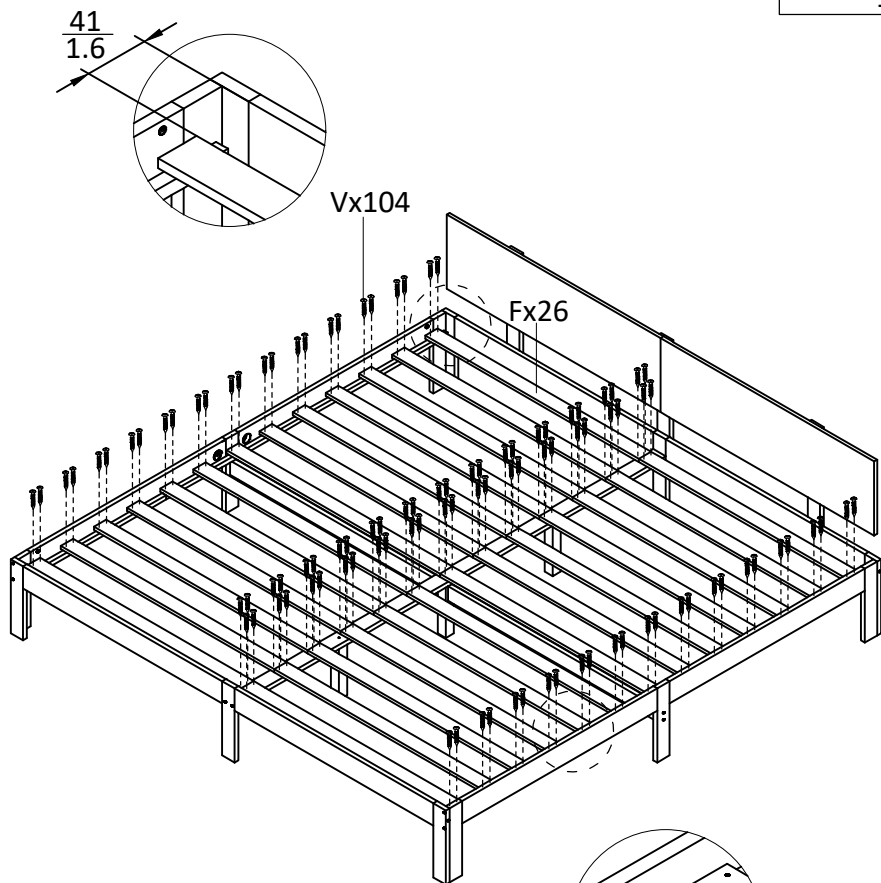
26



Ux15 \emptyset
M3.5x $\frac{32}{1.3}$

27

Vx104 
M3.5x $\frac{28}{1.1}$



28

