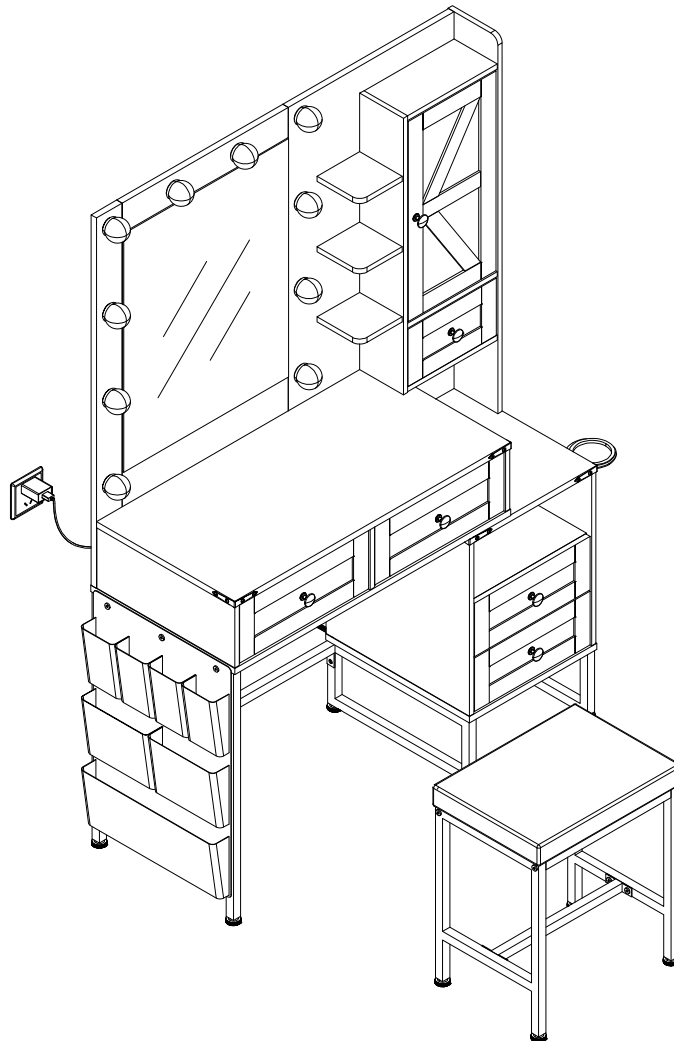


VANITY DESK

ITEM-**YK006-FG**



YKhome2024@163.com

THIS INSTRUCTION BOOKLET CONTAINS **IMPORTANT** SAFETY INFORMATION. PLEASE READ AND KEEP FOR FUTURE REFERENCE.

EN



Before You Start

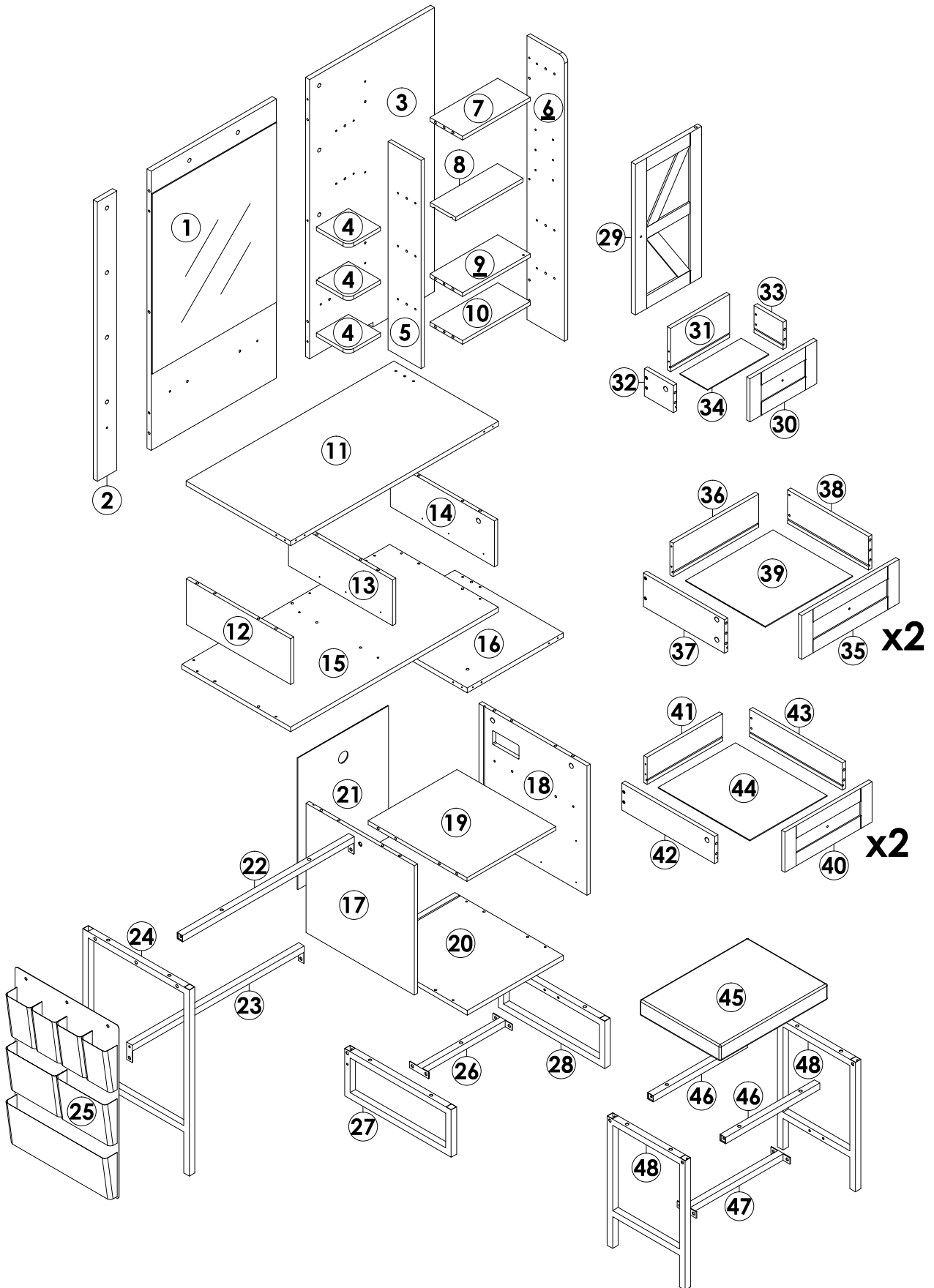
- ⚠ Please read all instructions carefully.
- ⚠ Retain instructions for future reference.
- ⚠ Separate and count all parts and hardware.
- ⚠ Read through each step carefully and follow the proper order.
- ⚠ We recommend that, where possible, all items are assembled near to the area in which they will be placed in use, to avoid moving the product unnecessarily once assembled.
- ⚠ Always place the product on a flat, steady and stable surface.
- ⚠ Keep all small parts and packaging materials for this product away from babies and children as they potentially pose a serious choking hazard.

If you're having difficulty, our friendly customer team is always here to help.


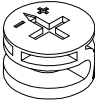


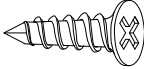
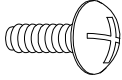
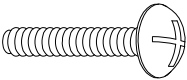
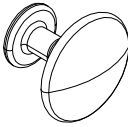
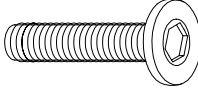
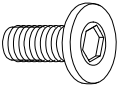
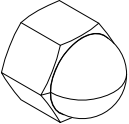
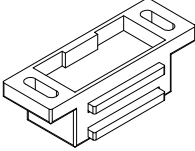
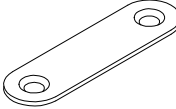
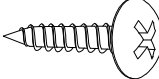
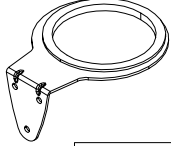
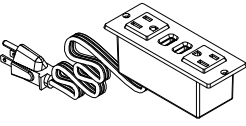
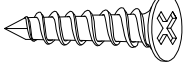
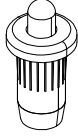
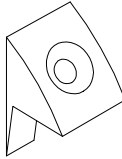
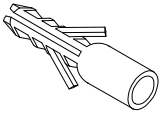
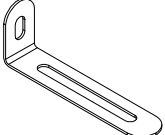
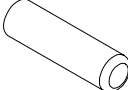
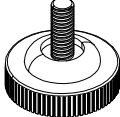
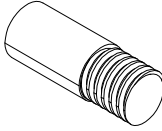
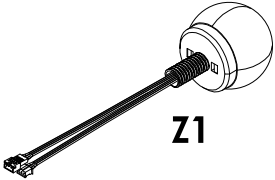
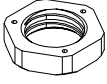
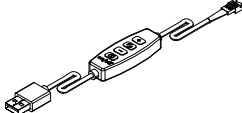
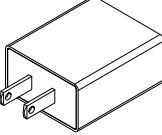
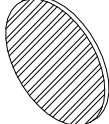
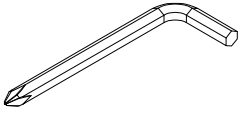
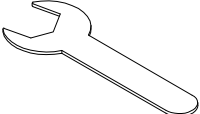
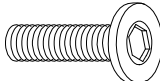
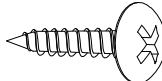
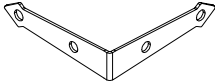
YKhome2024@163.com



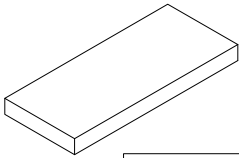
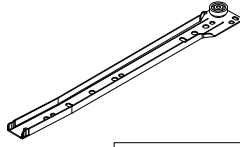
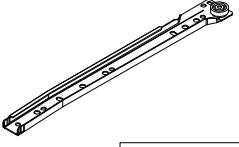
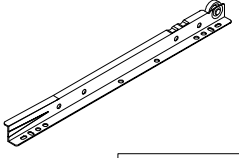
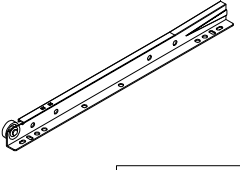
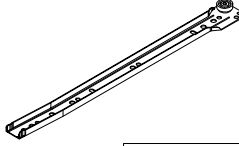
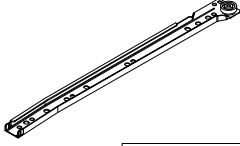
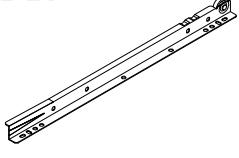
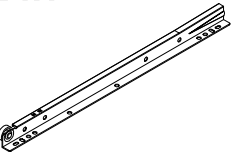
Parts List(EN) / Teile Liste(DE)



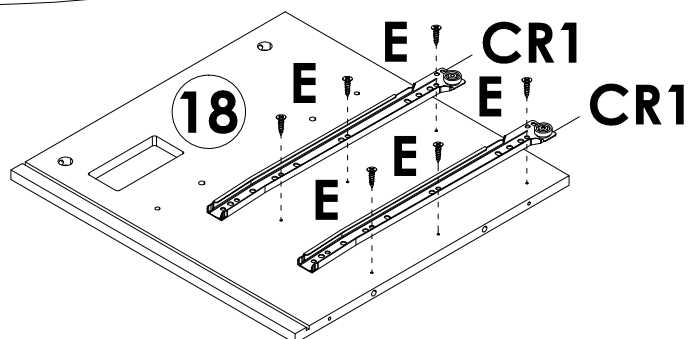
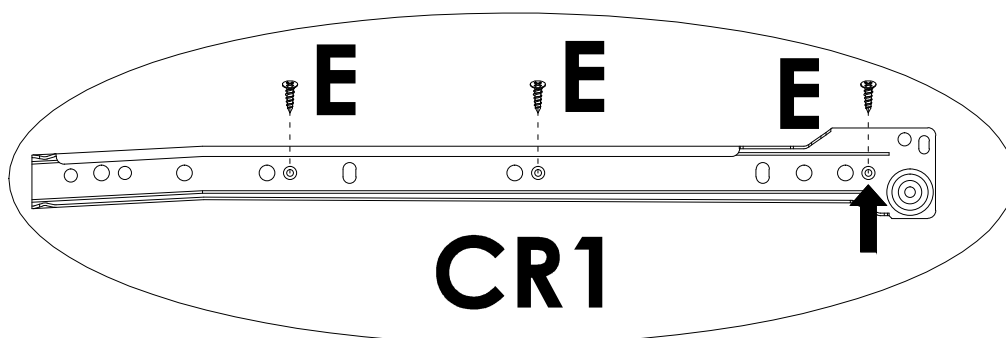
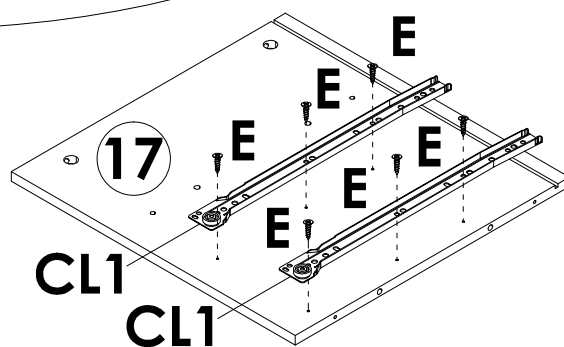
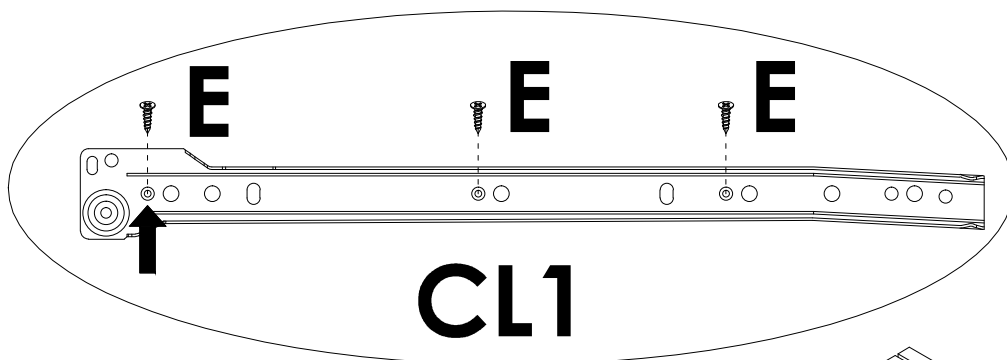
Parts List(EN) / Teile Liste(DE)


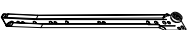

<p>A</p>  <p>M6x35mm 49+2PCS</p>	<p>B</p>  <p>Ø15x9mm 49+2PCS</p>	<p>C</p>  <p>M4x40mm 63+2PCS</p>	<p>D</p>  <p>Ø6x30mm 66+2PCS</p>	<p>E</p>  <p>M3x12mm 50+2PCS</p>
<p>F</p>  <p>M4x8mm 5PCS</p>	<p>G</p>  <p>M4x18mm 1PC</p>	<p>H</p>  <p>6PCS</p>	<p>I</p>  <p>M6x30mm 26+2PCS</p>	<p>J</p>  <p>M6x10mm 11+1PCS</p>
<p>K</p>  <p>M6mm 2PCS</p>	<p>L</p>  <p>1PC</p>	<p>M</p>  <p>1PC</p>	<p>N White</p>  <p>M4x12mm 7PCS</p>	<p>O</p>  <p>1PC</p>
<p>P</p>  <p>1PC</p>	<p>Q</p>  <p>M3x14mm 8+1PCS</p>	<p>R</p>  <p>2PCS</p>	<p>S</p>  <p>4PCS</p>	<p>T</p>  <p>Ø6x30mm 2PCS</p>
<p>U</p>  <p>2PCS</p>	<p>V</p>  <p>M5x20mm 4PCS</p>	<p>W</p>  <p>M6mm 10+1PCS</p>	<p>X</p>  <p>M5x17mm 2PCS</p>	
<p>Z</p>  <p>Z1</p>  <p>Z2</p> <p>10PCS</p>		<p>A1</p>  <p>1PC</p>	<p>A2</p>  <p>1PC</p>	<p>A3</p>  <p>Ø20mm 22+2PCS</p>
<p>A4</p>  <p>M4mm 1PC</p>	<p>A5</p>  <p>M10mm 1PC</p>	<p>A6</p>  <p>M6x25mm 2PCS</p>	<p>A7 Black</p>  <p>M4x12mm 16+2PCS</p>	<p>A8</p>  <p>4PCS</p>

Parts List(EN) / Teile Liste(DE)

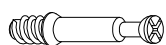
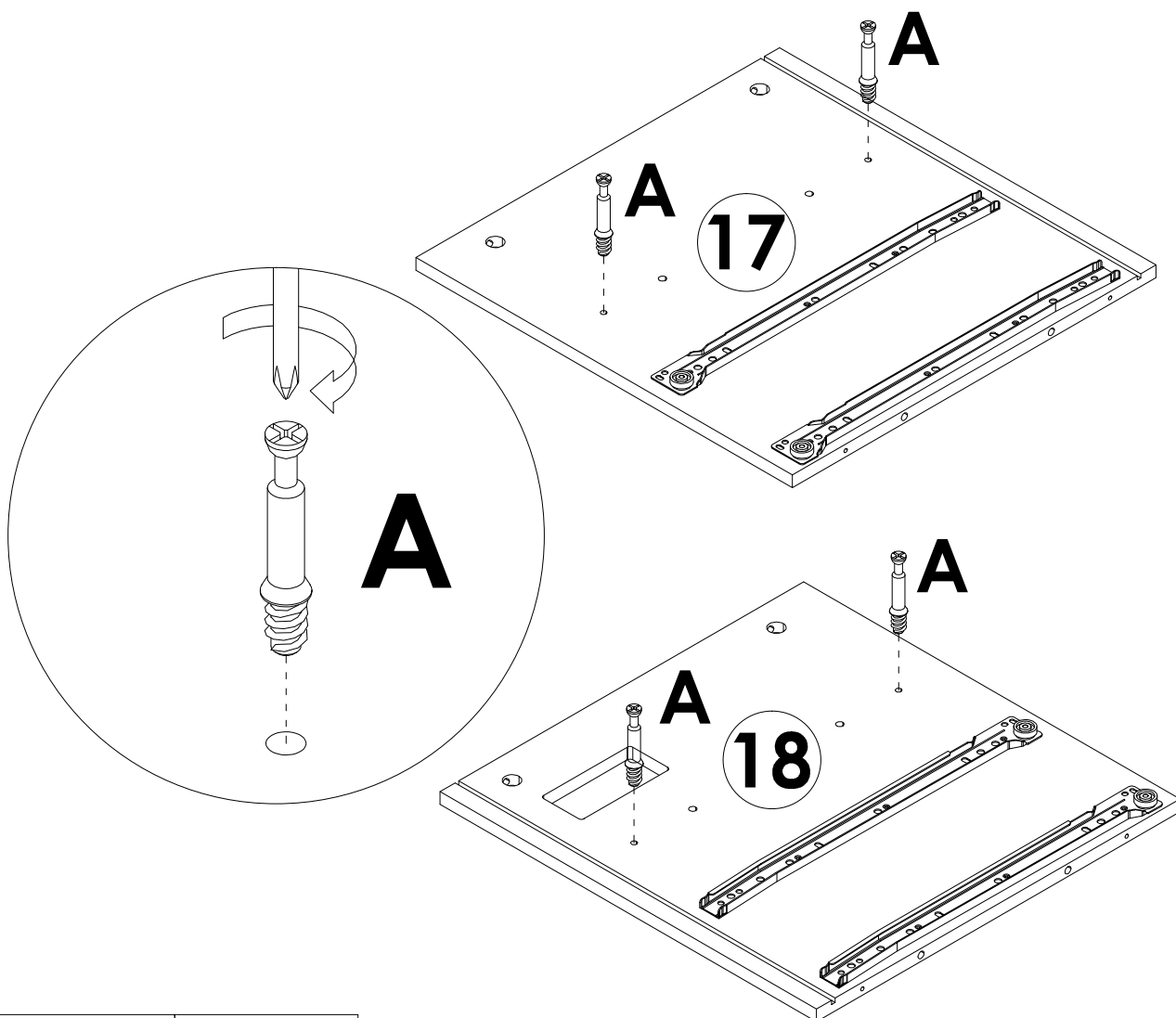
A9  35x15mm 1PC	CL  300mm 2PCS	CR  300mm 2PCS	DL  300mm 2PCS	DR  300mm 2PCS
CL1  350mm 2PCS	CR1  350mm 2PCS	DL1  350mm 2PCS	DR1  350mm 2PCS	

STEP 1



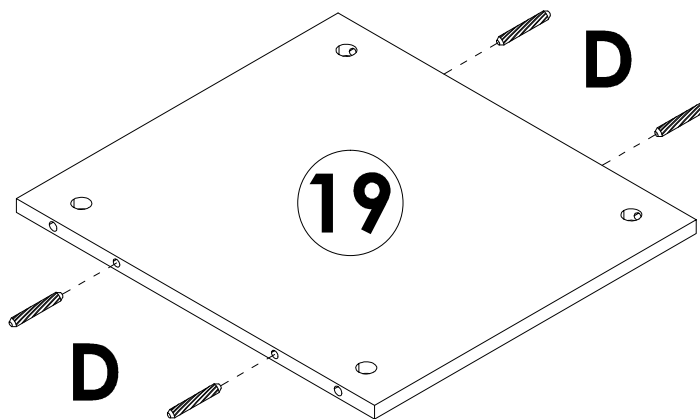
	E x 12PCS
	CL1 x 2PCS
	CR1 x 2PCS

STEP 2



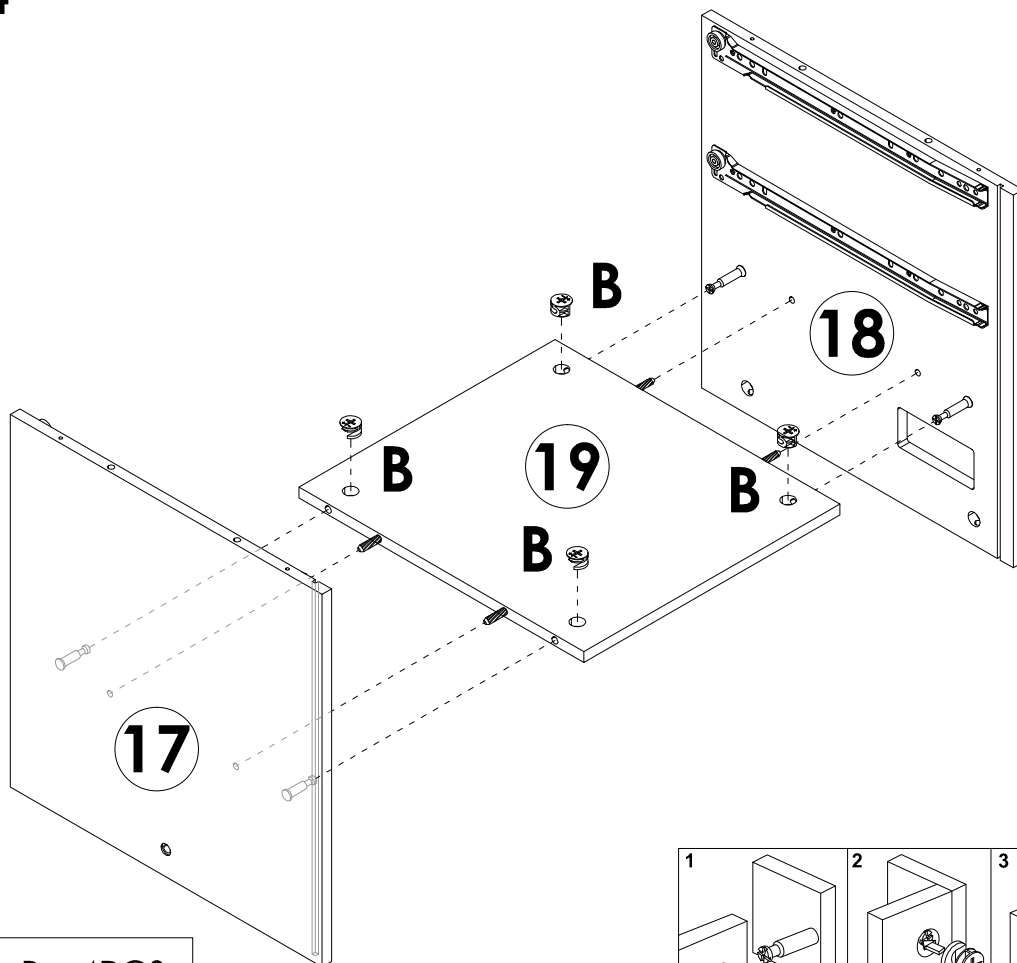
A x 4PCS

STEP 3

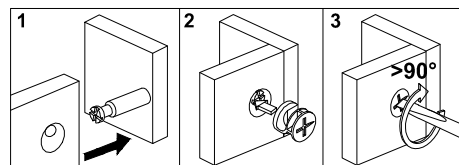


D x 4PCS

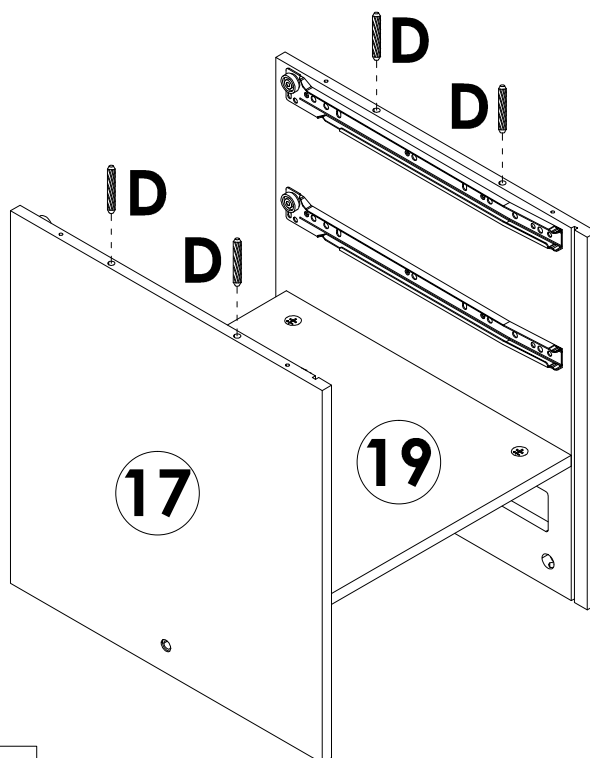
STEP 4



B x 4PCS



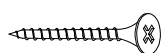
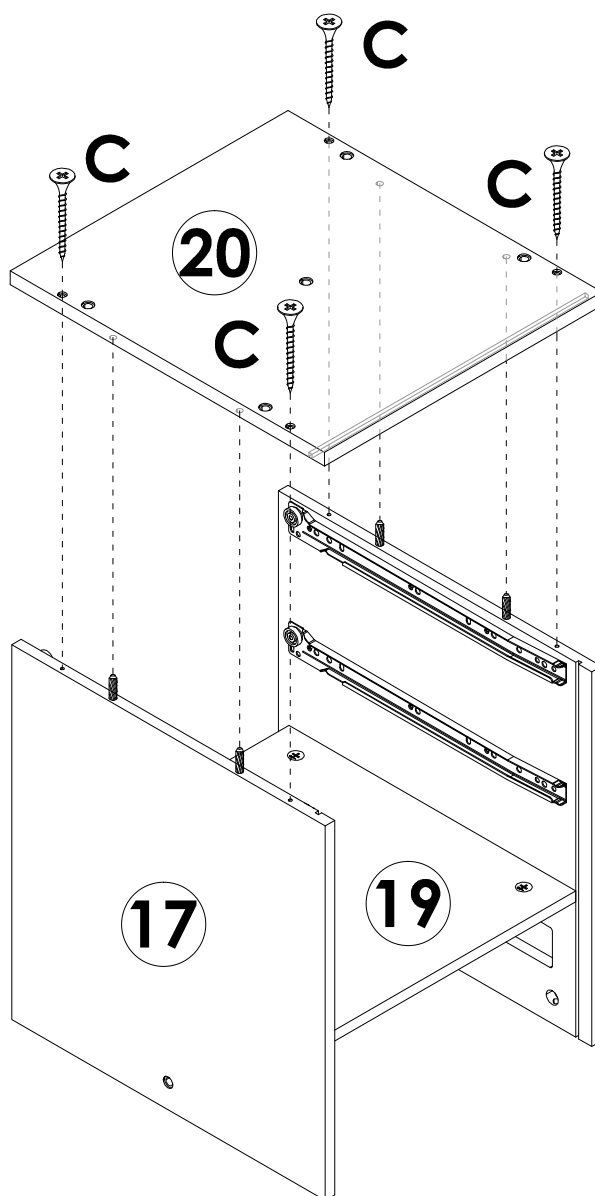
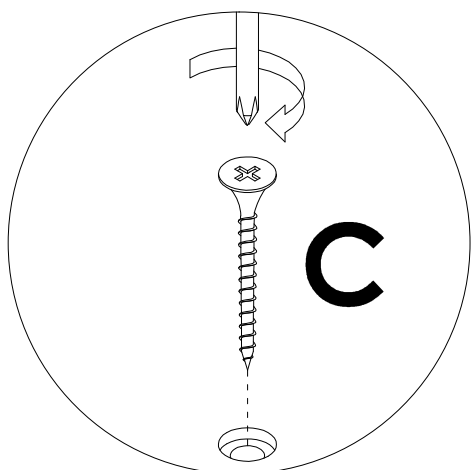
STEP 5



D x 4PCS

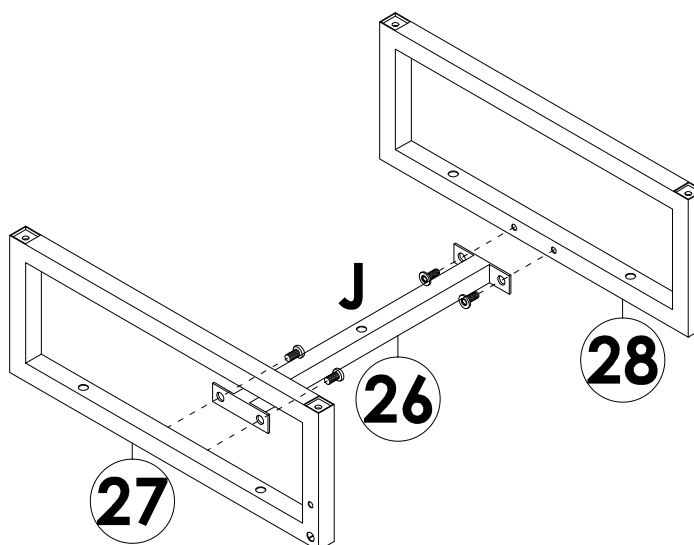
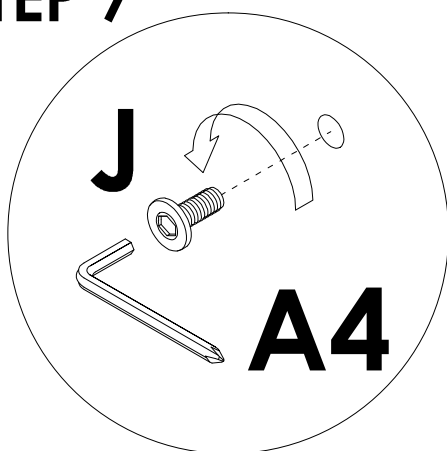
Assembly Steps(EN) / Montageschritte(DE)

STEP 6

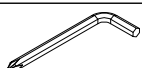


C x 4PCS

STEP 7



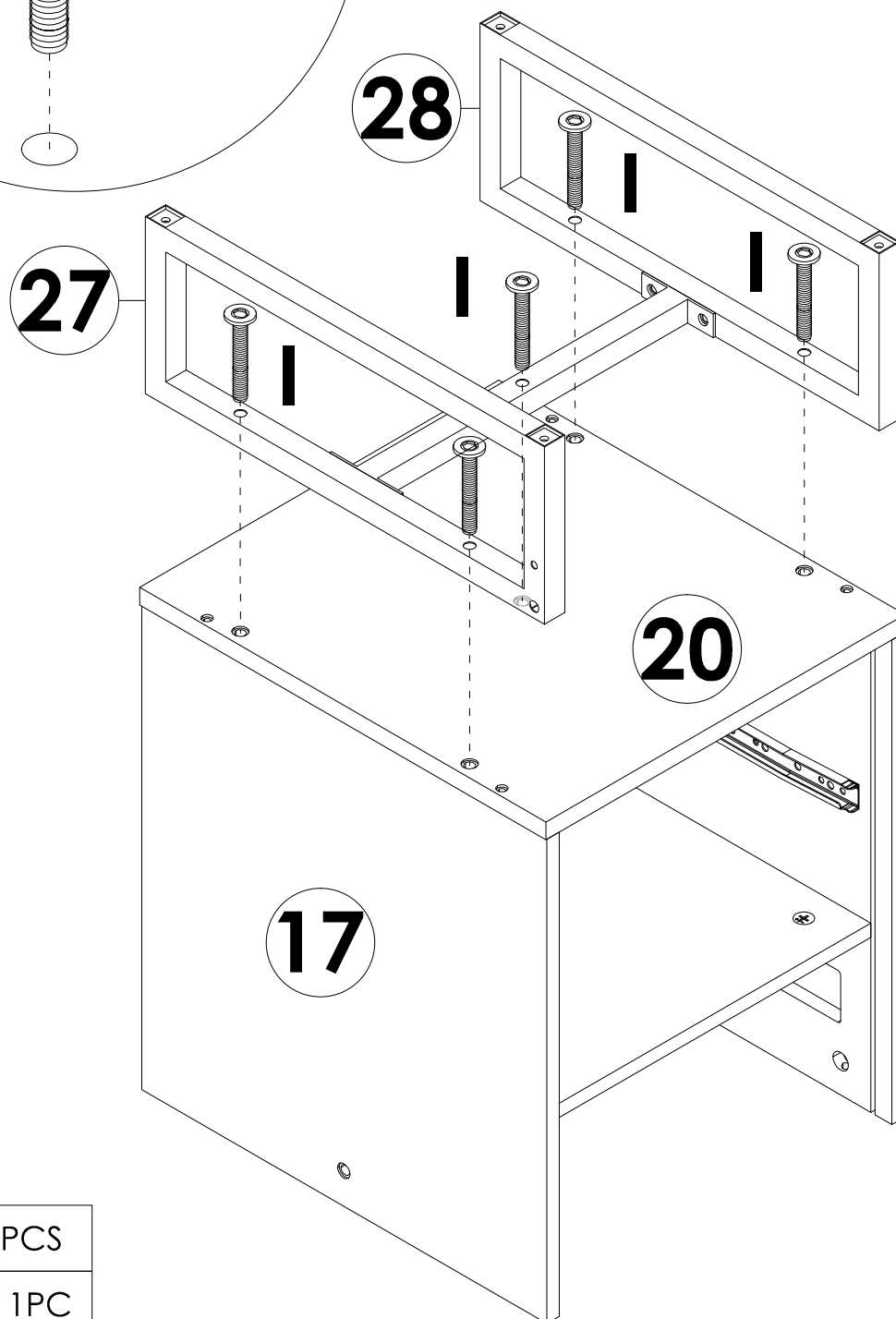
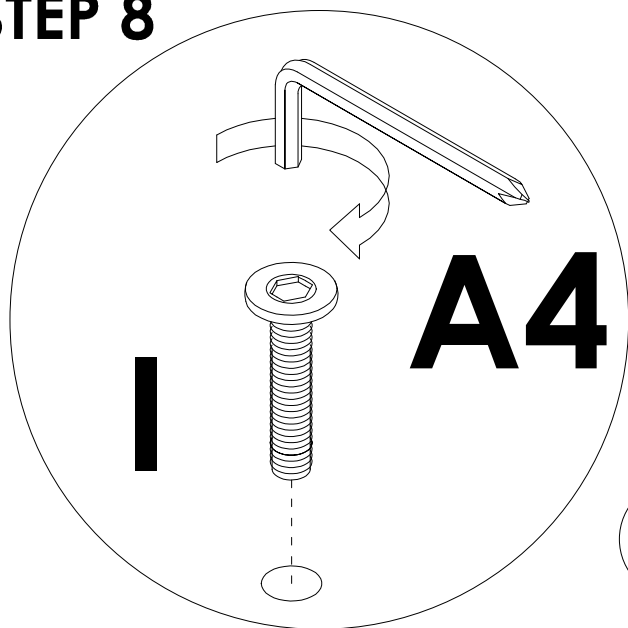
J x 4PCS

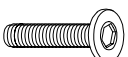
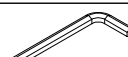


A4 x 1PC

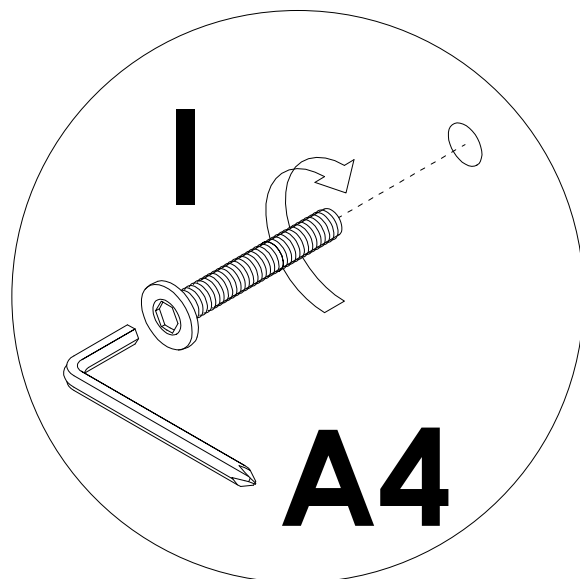
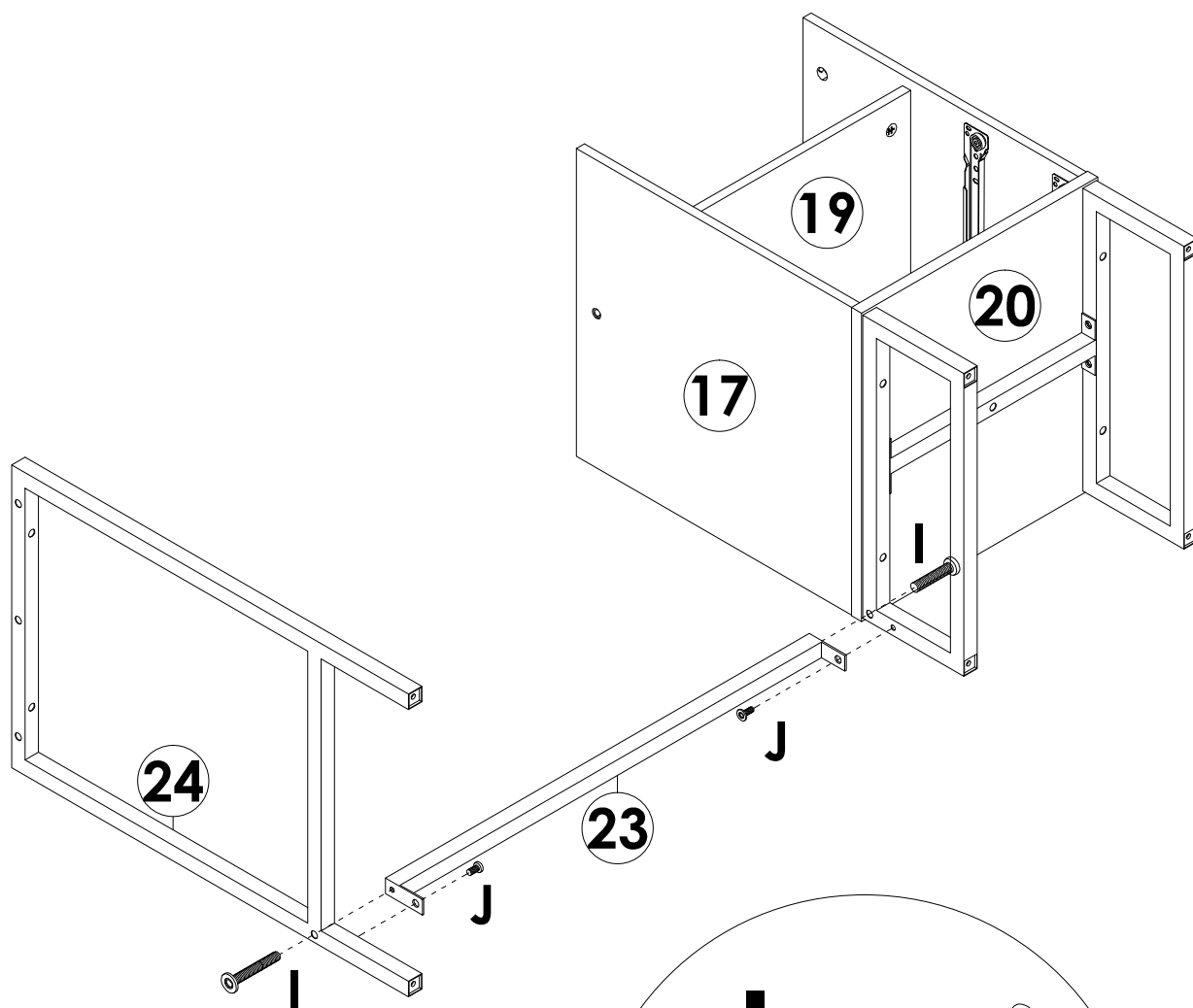
Assembly Steps(EN) / Montageschritte(DE)

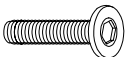


STEP 8



	1 x 5PCS
	A4 x 1PC

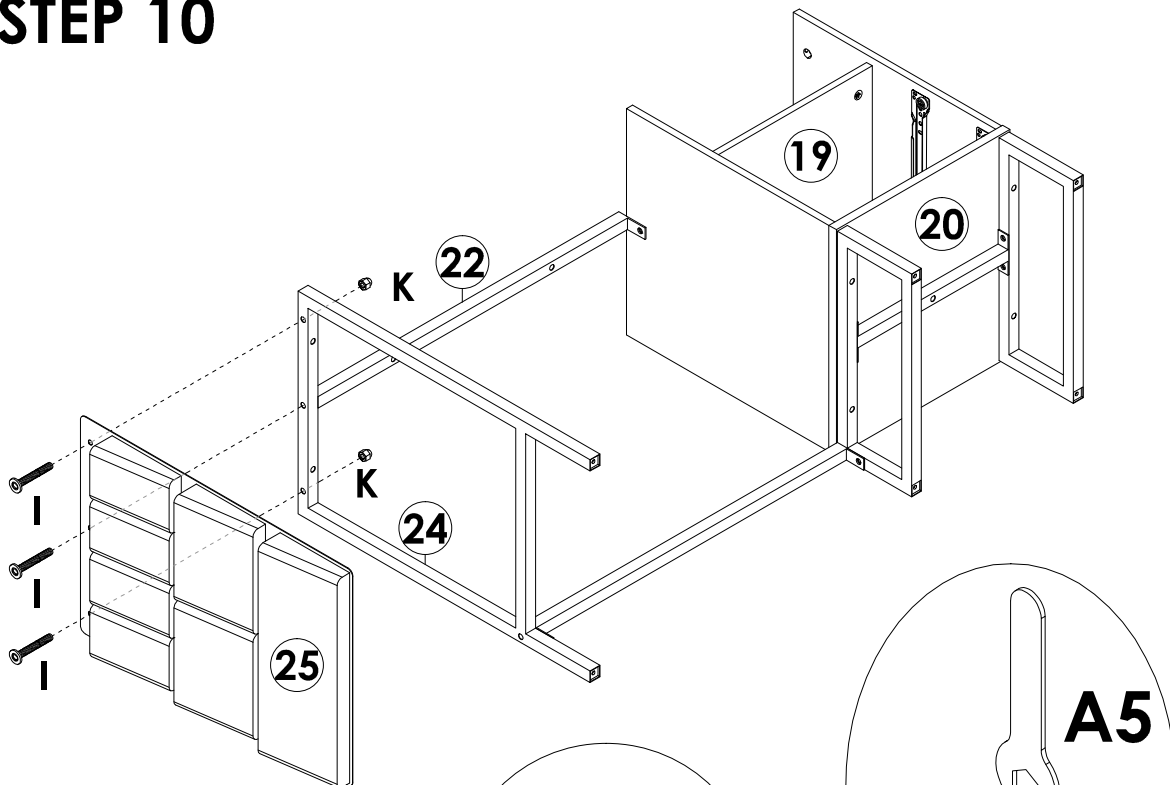
STEP 9

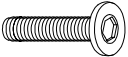





	I x 2PCS
	J x 2PCS
	A4 x 1PC

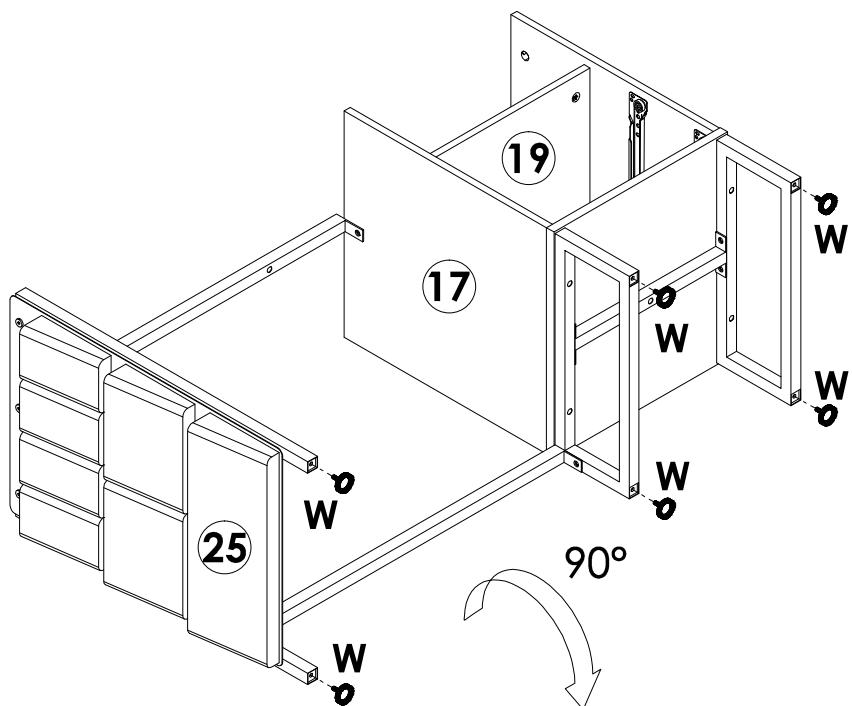
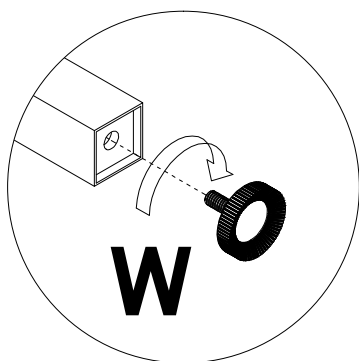
Assembly Steps(EN) / Montageschritte(DE)


STEP 10



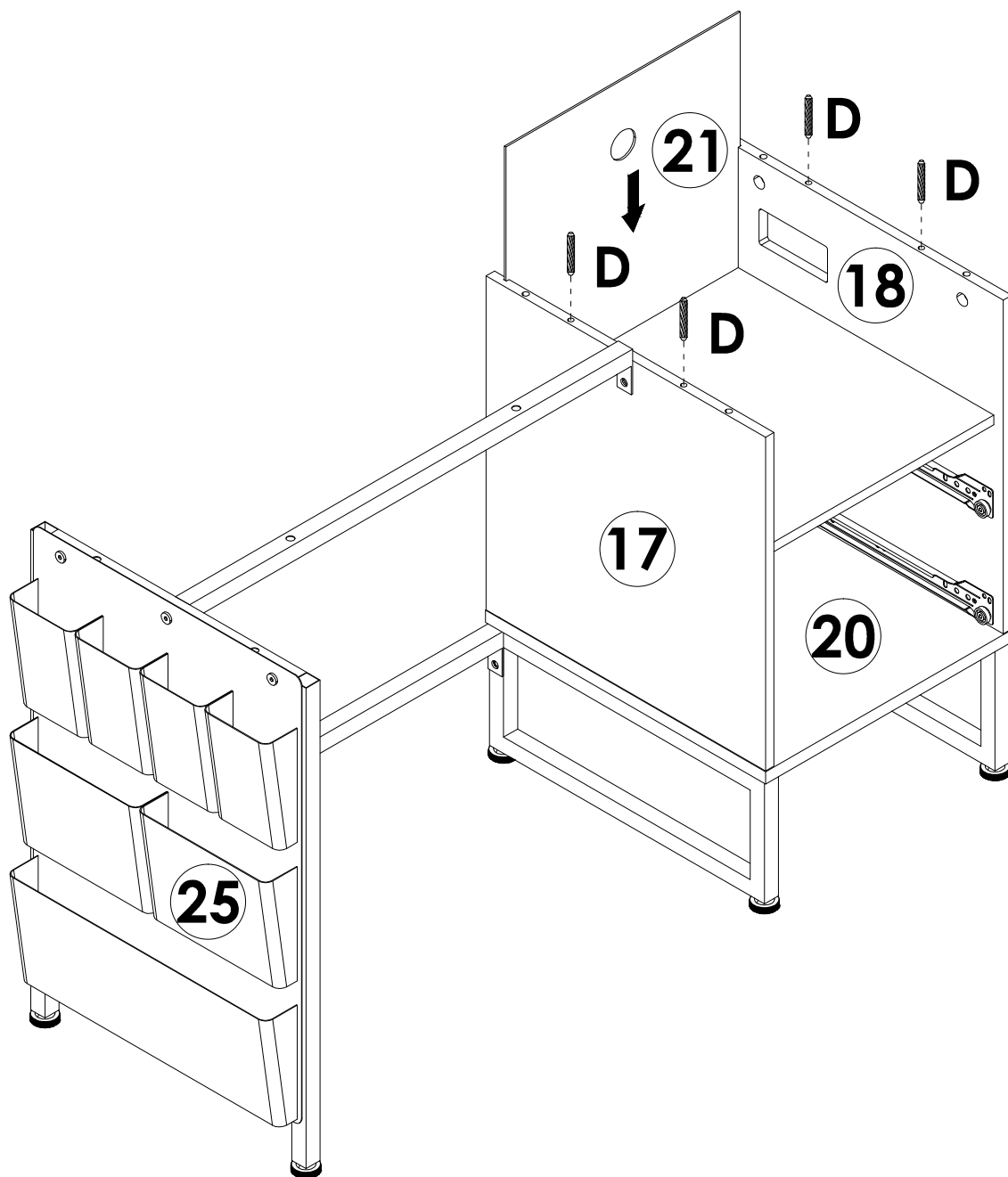
	I x 3PCS
	K x 2PCS
	A4 x 1PC
	A5 x 1PC

STEP 11



	W x 6PCS
---	----------

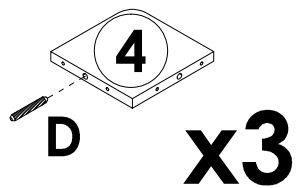
STEP 12



D x 4PCS

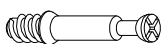
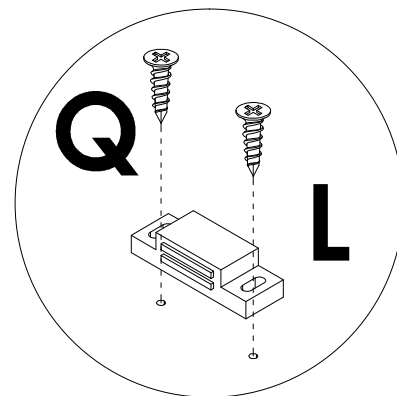
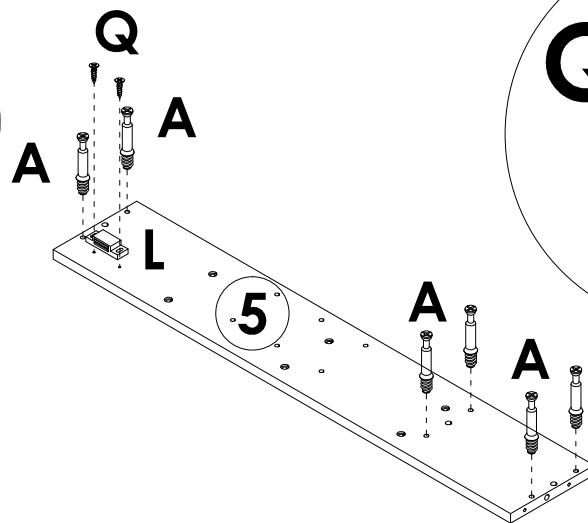
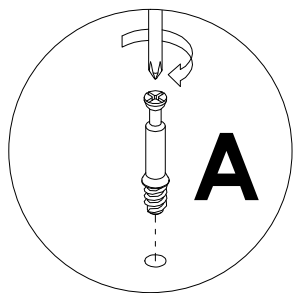
Assembly Steps(EN) / Montageschritte(DE)

STEP 13



D x 3PCS

STEP 14



A x 6PCS

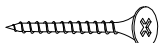
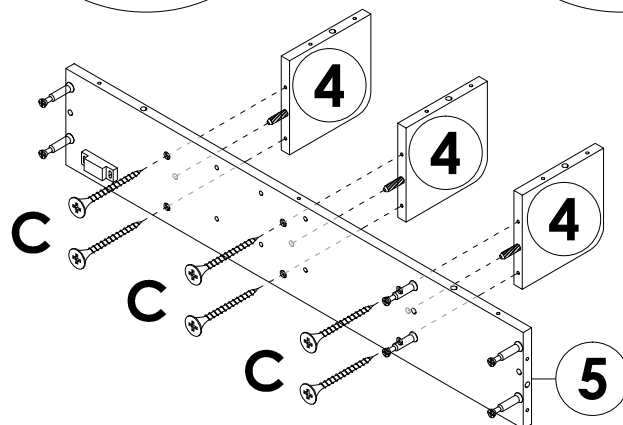
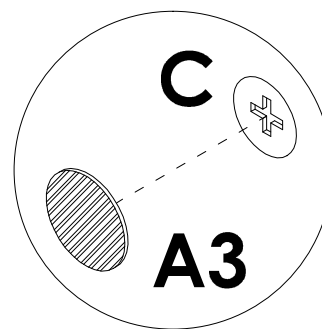
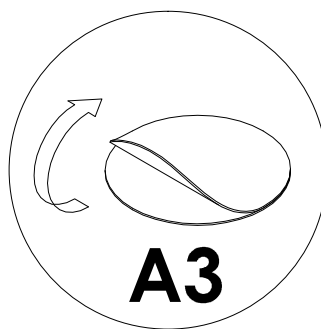
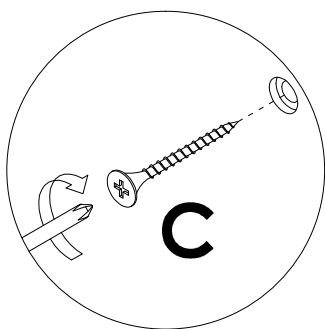


L x 1PC



Q x 2PCS

STEP 15

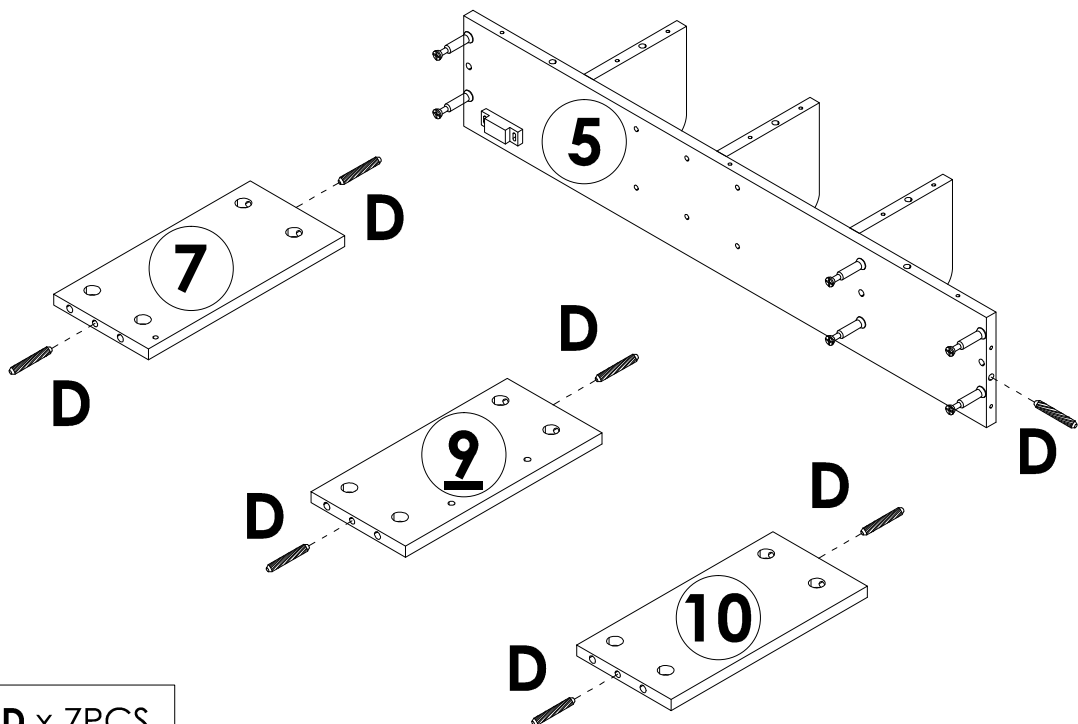



C x 6PCS



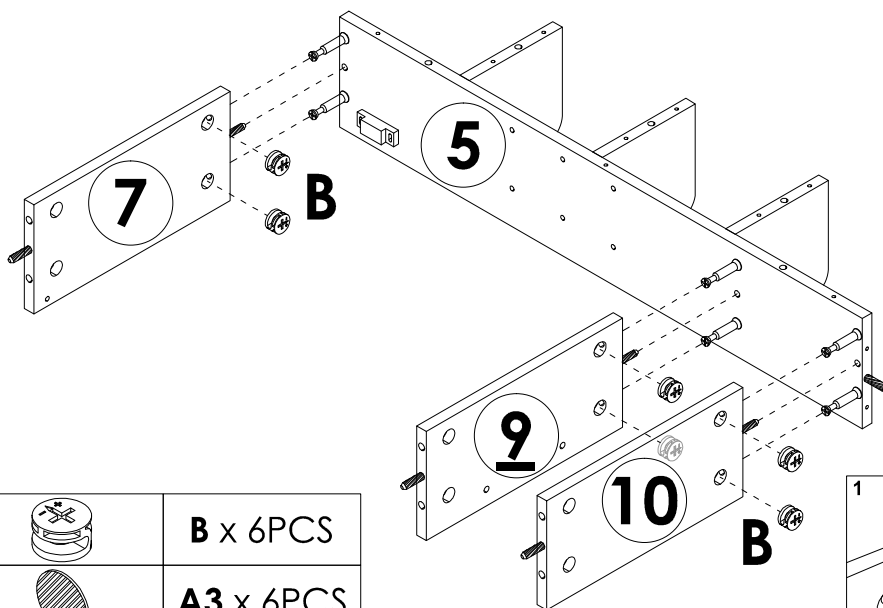
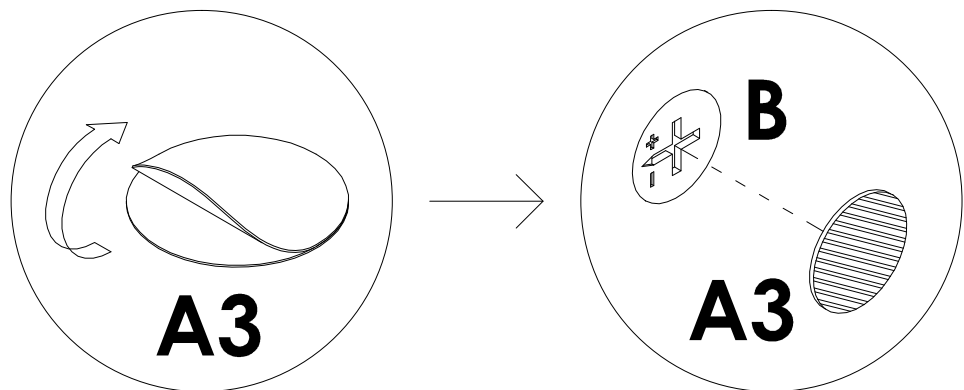
A3 x 6PCS



STEP 16

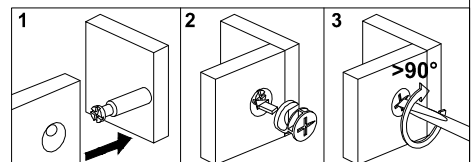


	D x 7PCS
--	-----------------

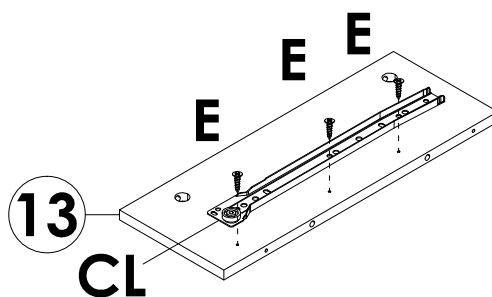
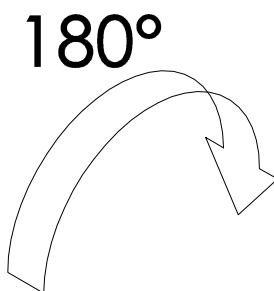
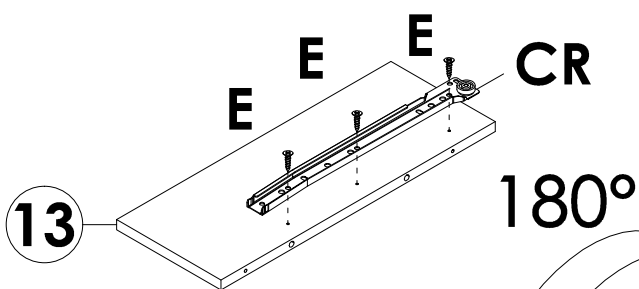
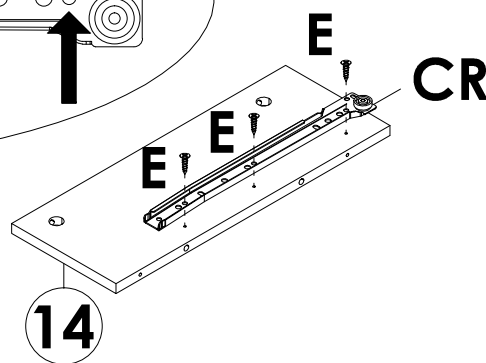
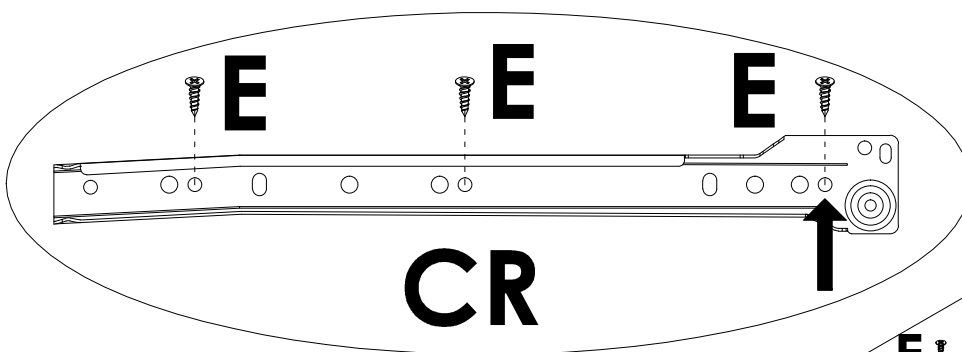
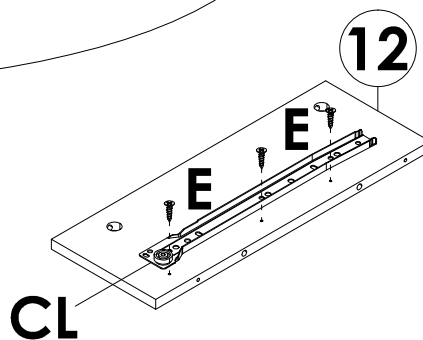
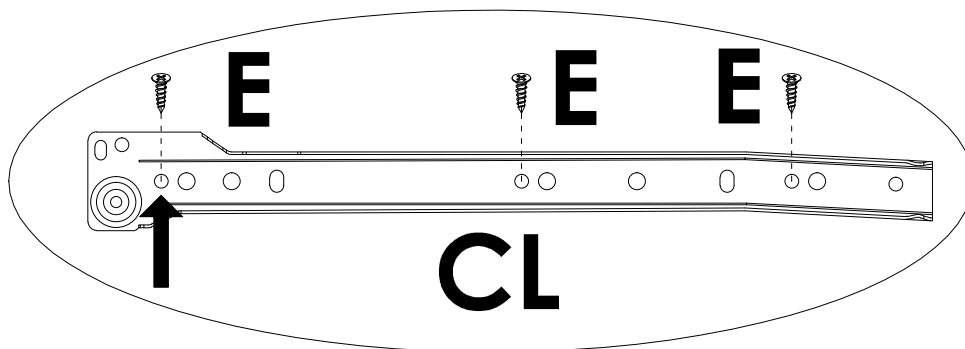
STEP 17


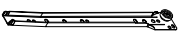



	B x 6PCS
	A3 x 6PCS

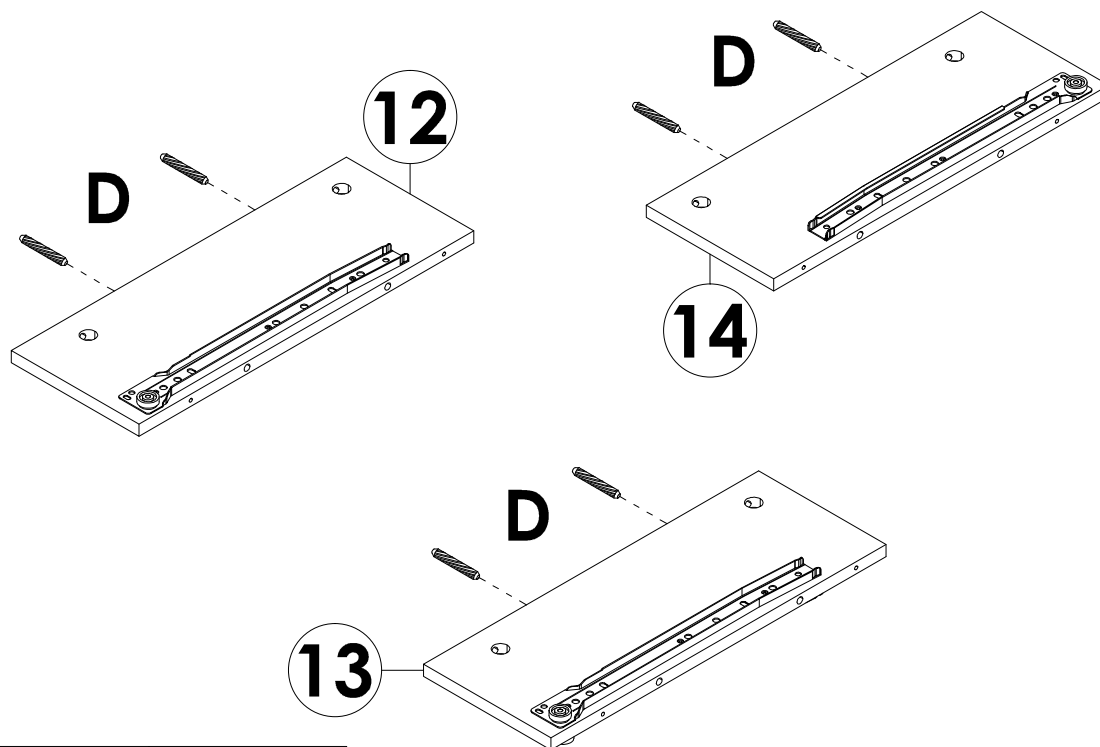


STEP 18



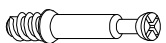
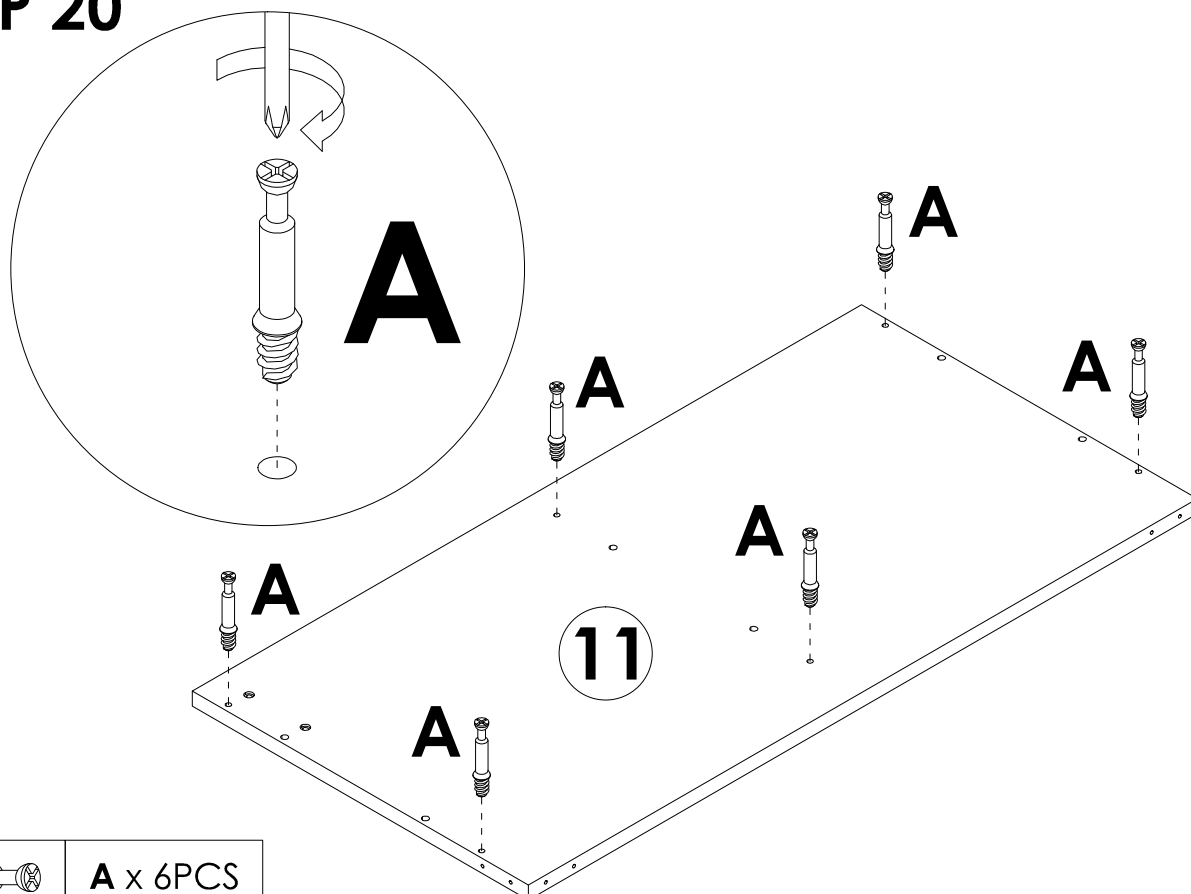
	E x 12PCS
	CL x 2PCS
	CR x 2PCS

STEP 19



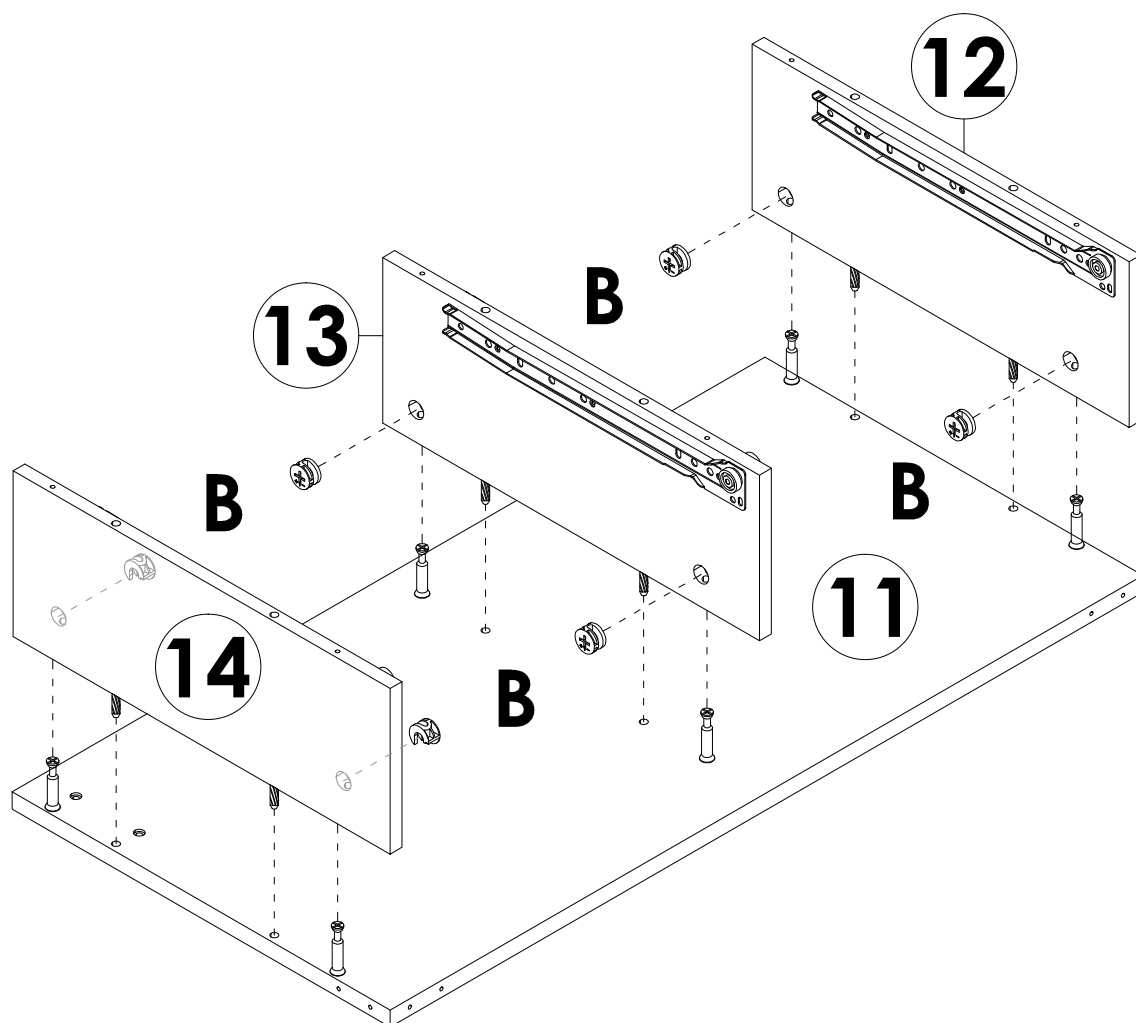
D x 6PCS

STEP 20

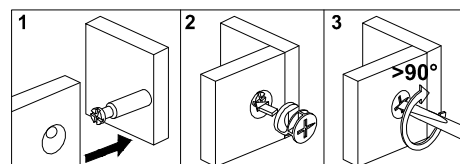


A x 6PCS

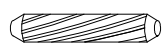
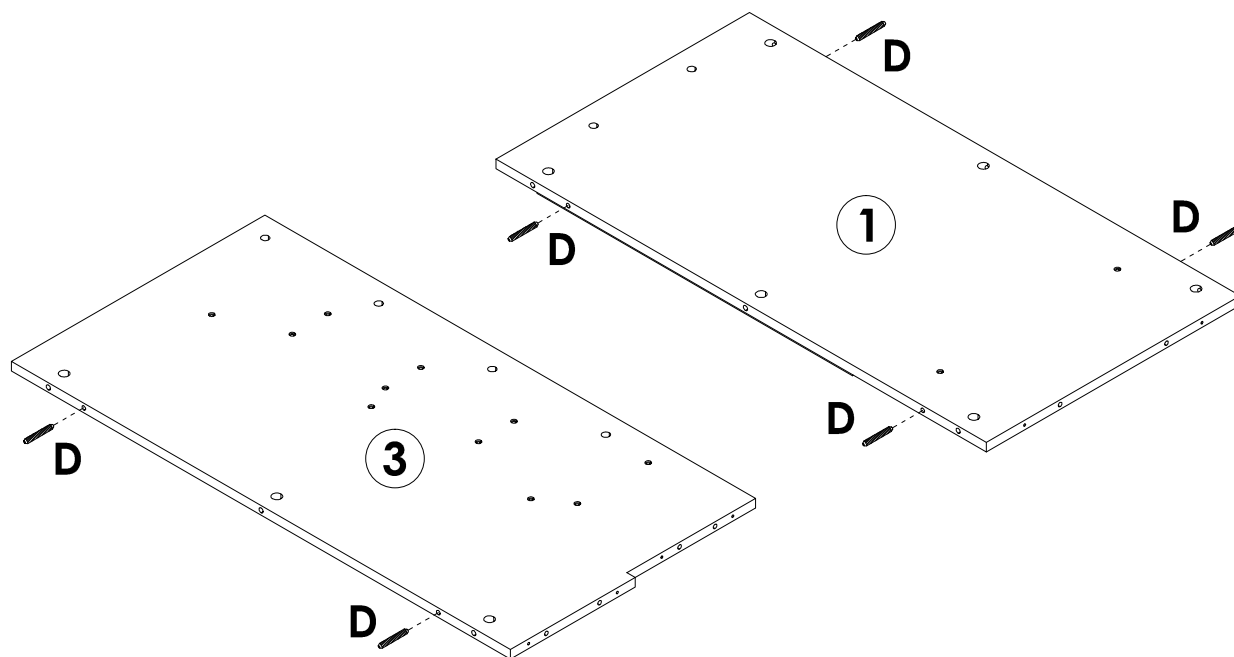
STEP 21



B x 6PCS

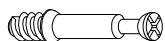
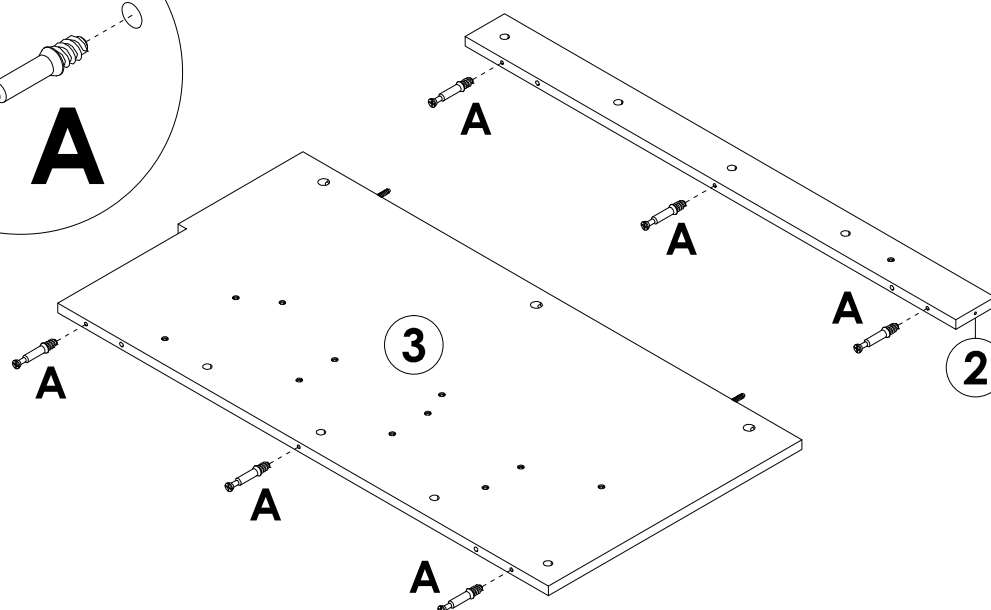
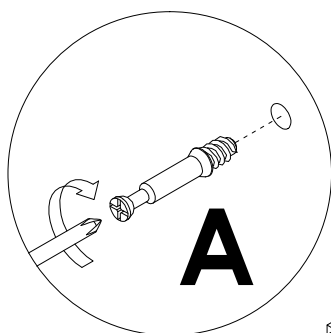


STEP 22



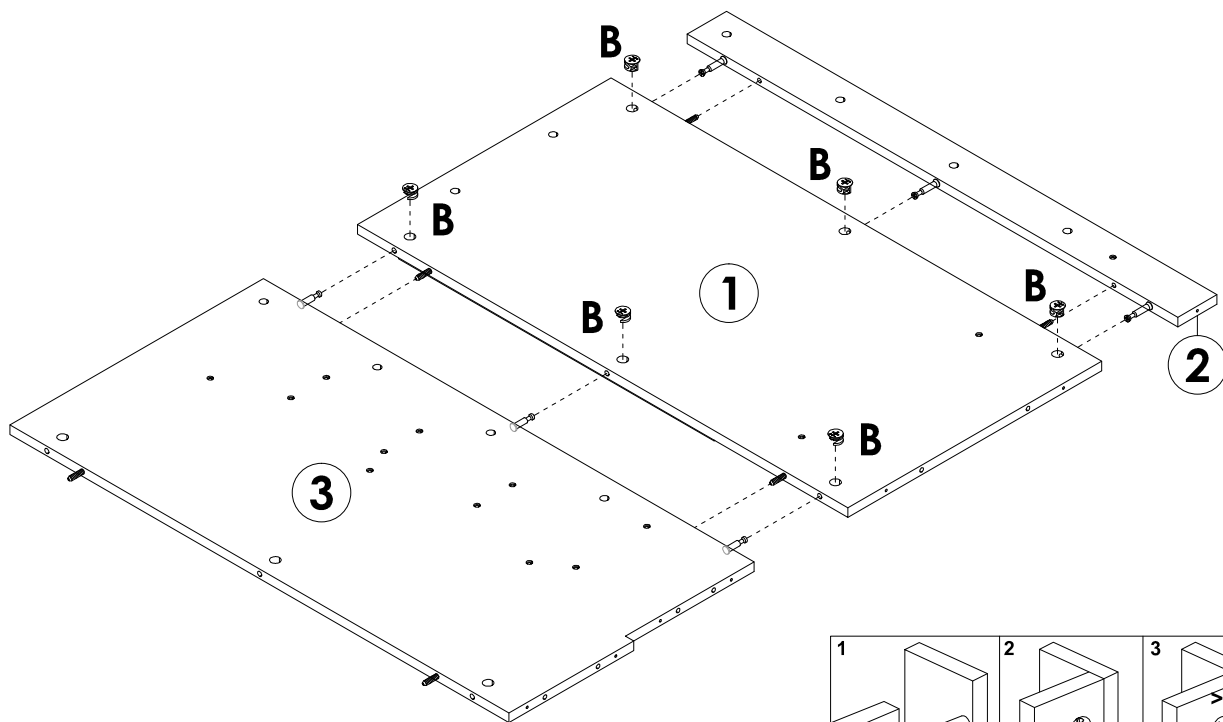
D x 6PCS

STEP 23

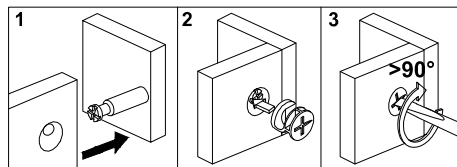


A x 6PCS

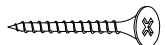
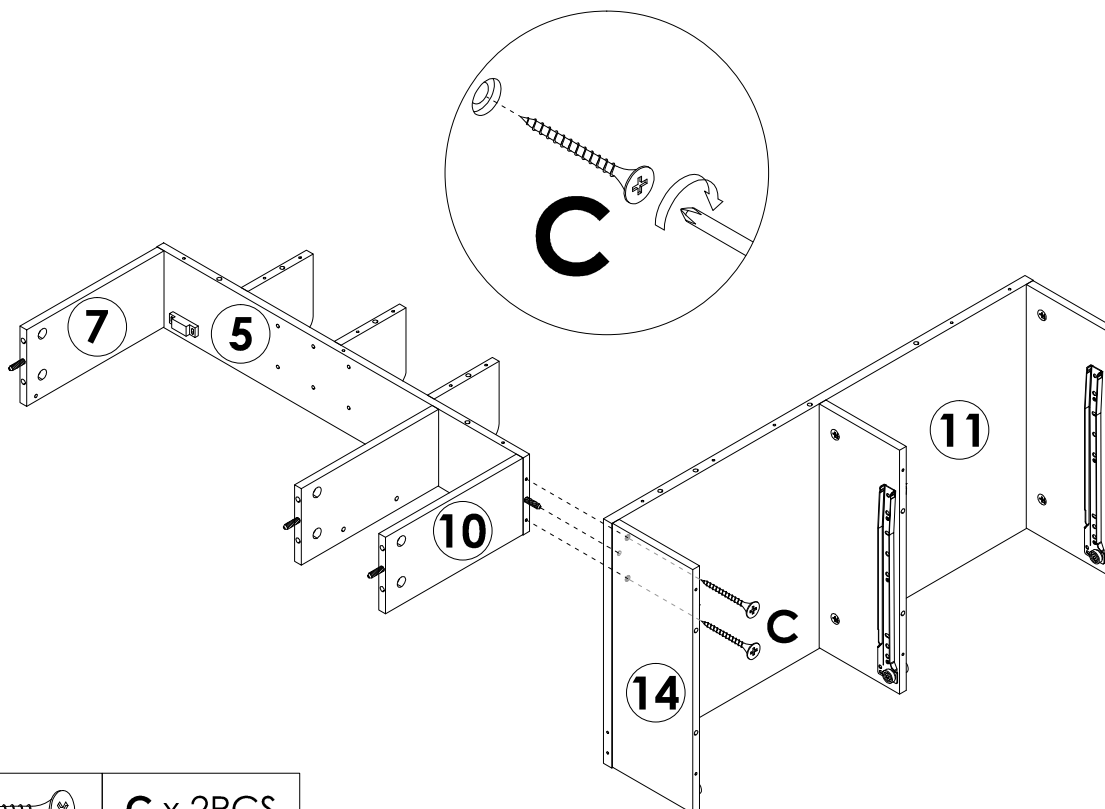
STEP 24



B x 6PCS



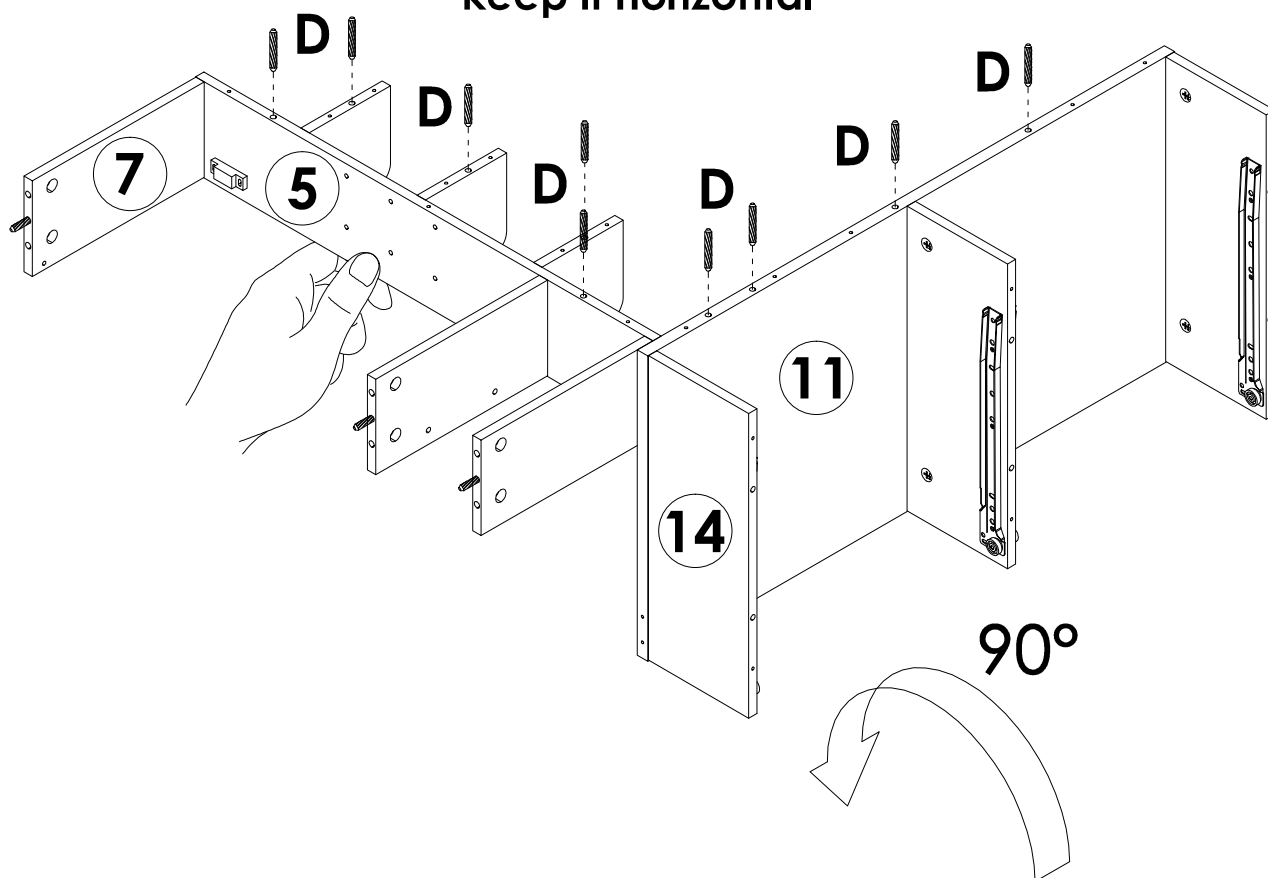
STEP 25



C x 2PCS

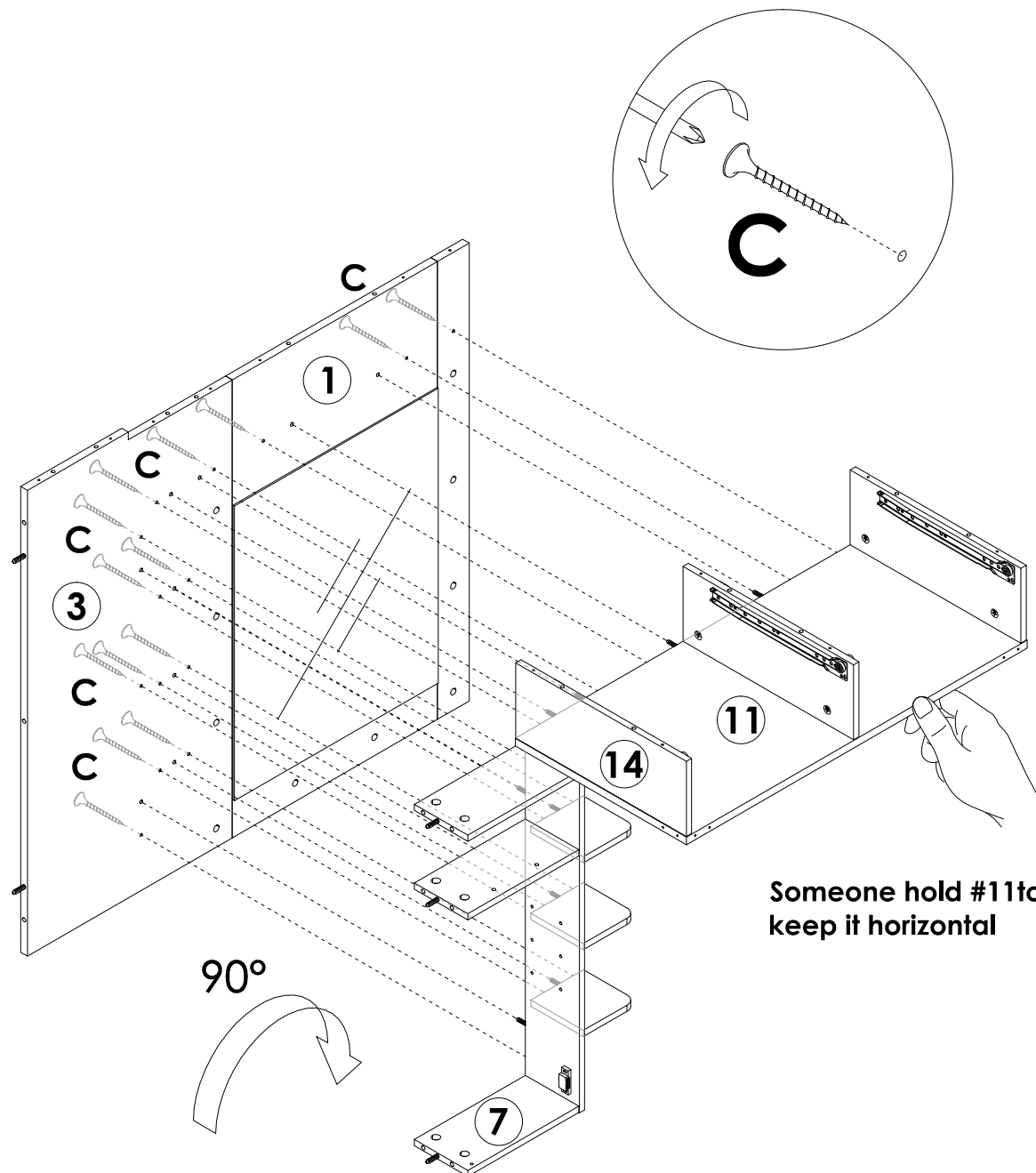
STEP 26

Someone hold #5 to
keep it horizontal



D x 9PCS

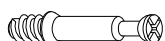
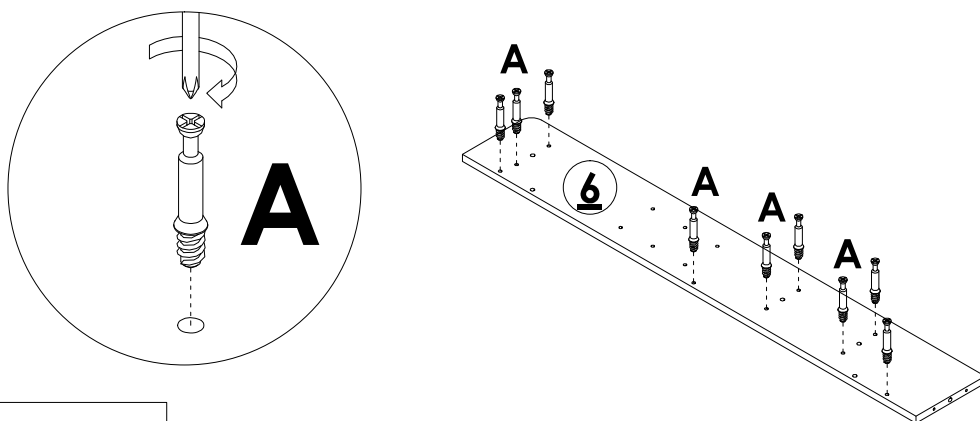
STEP 27



C x 14PCS

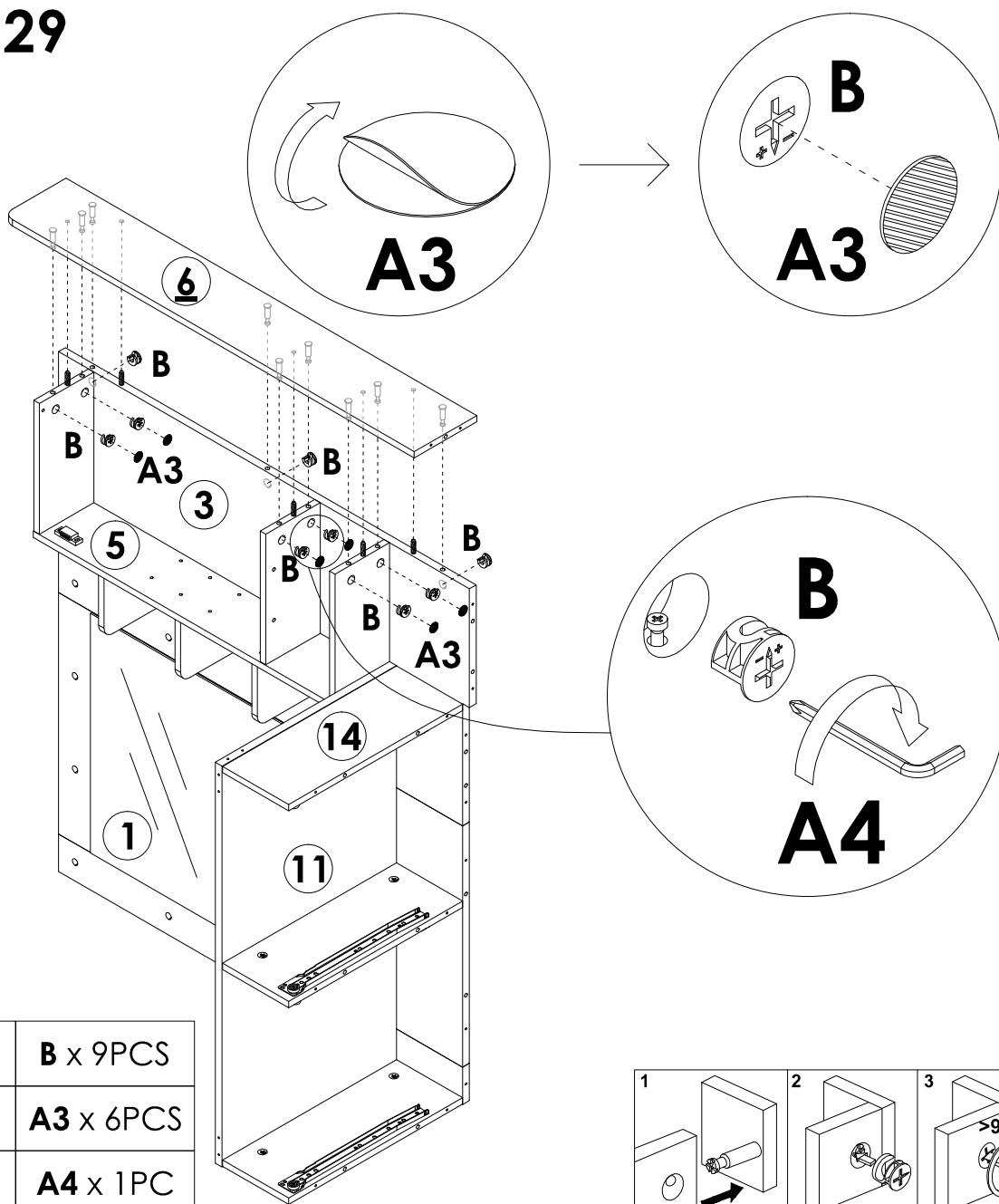
Assembly Steps(EN) / Montageschritte(DE)

STEP 28



A x 9PCS

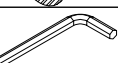
STEP 29



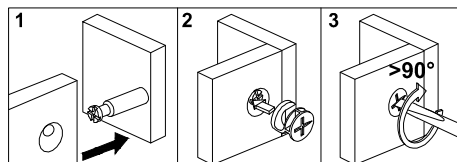
B x 9PCS



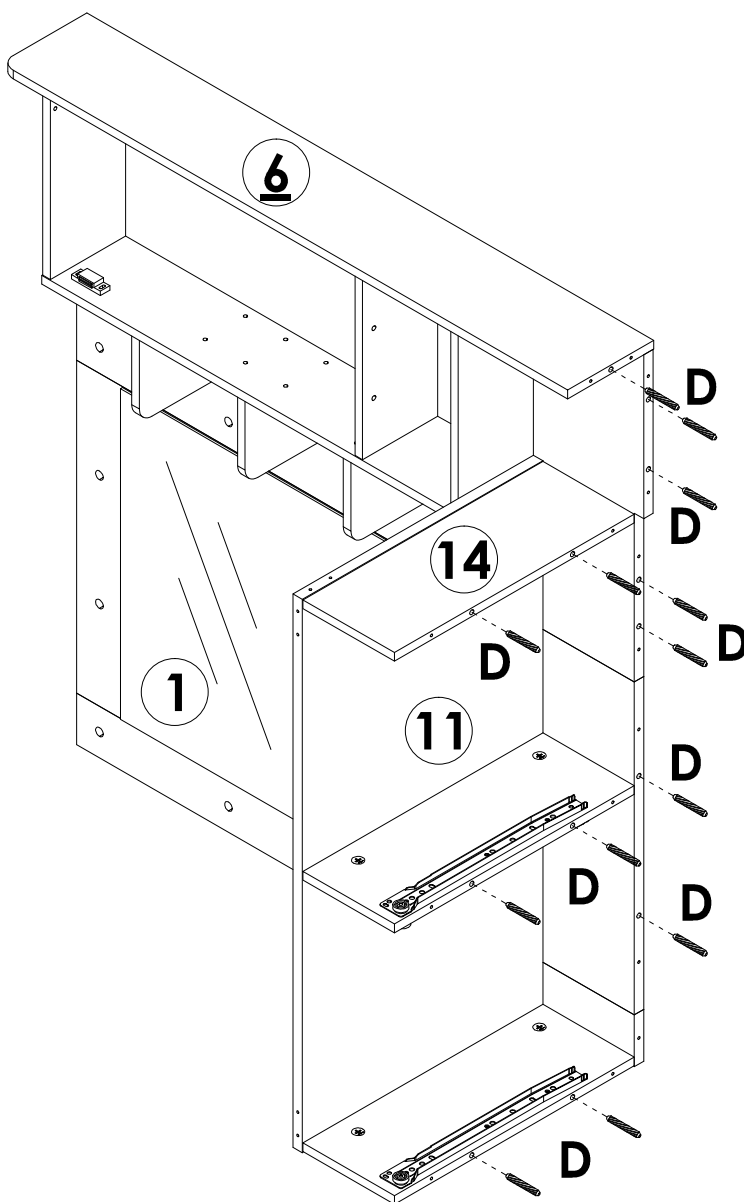
A3 x 6PCS



A4 x 1PC

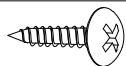
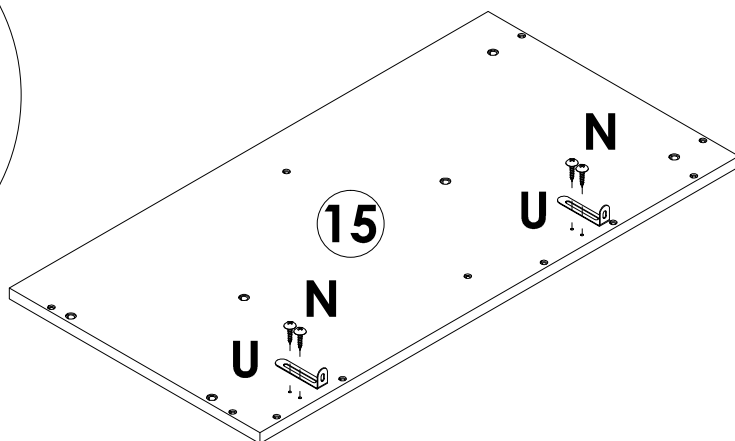
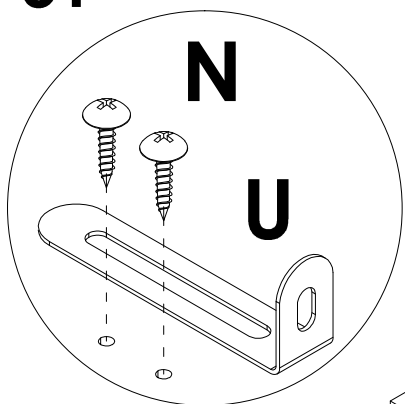


STEP 30



D x 13PCS

STEP 31

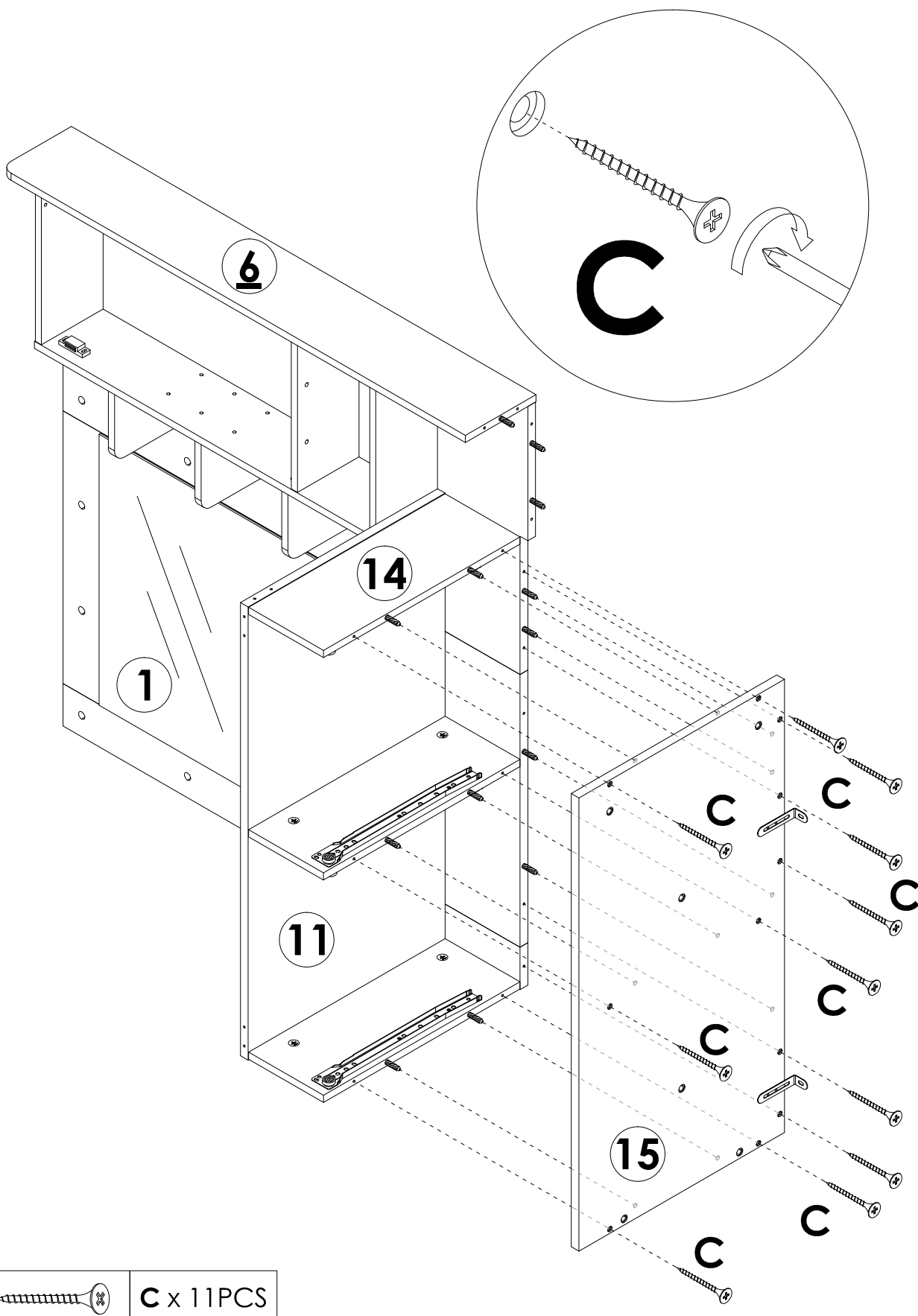


N x 4PCS



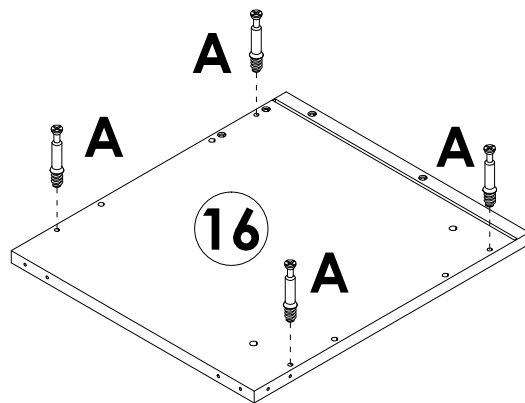
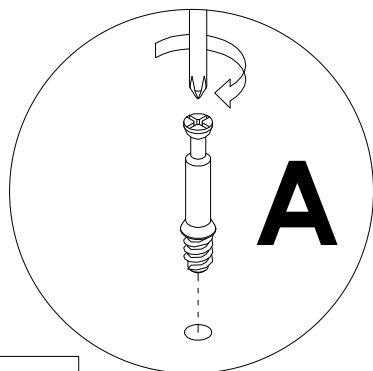
U x 2PCS

STEP 32



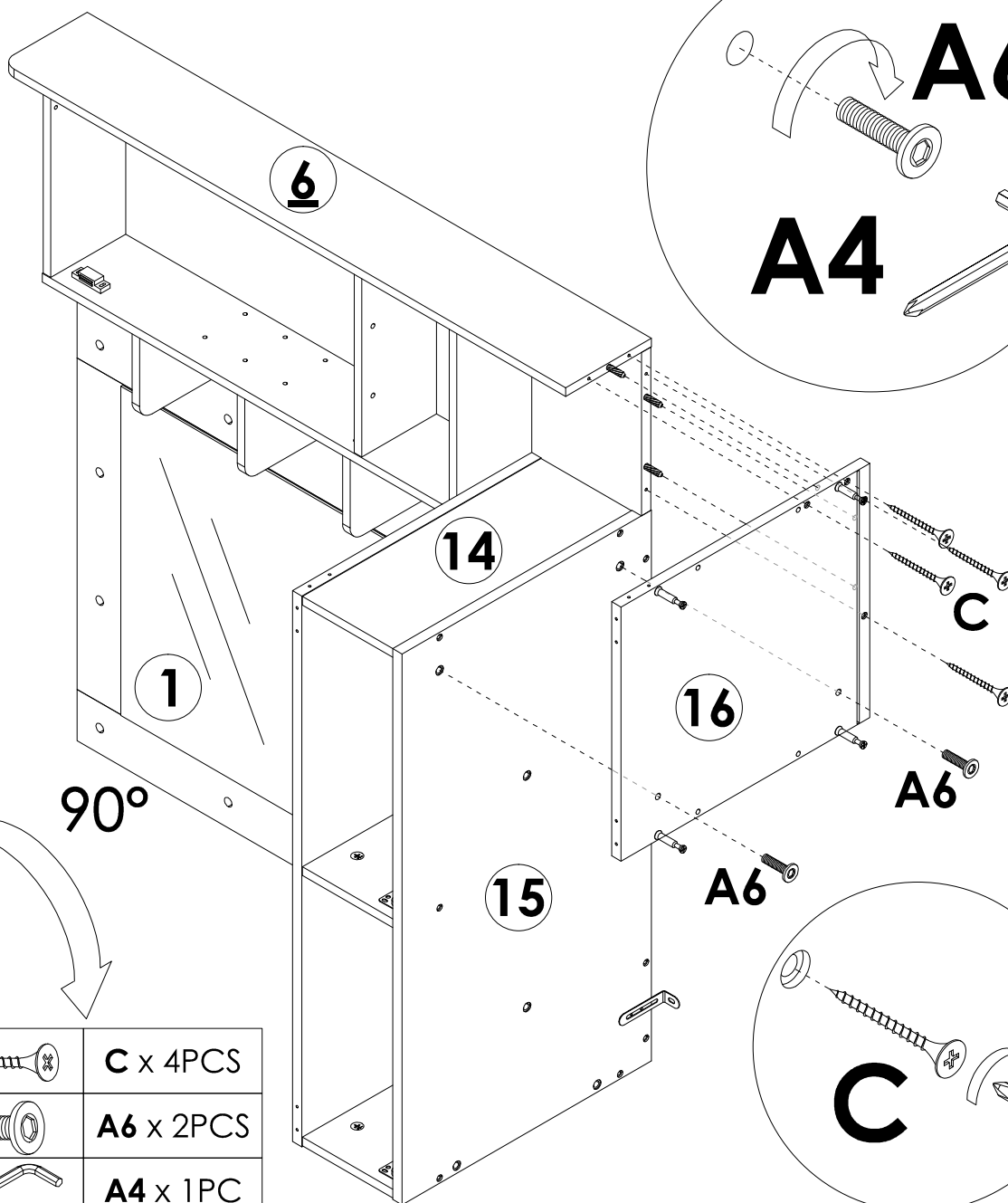
Assembly Steps(EN) / Montageschritte(DE)

STEP 33

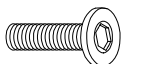


A x 4PCS

STEP 34



C x 4PCS

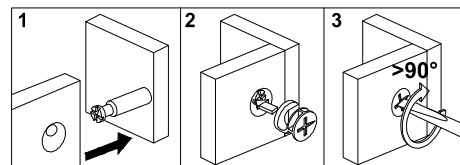
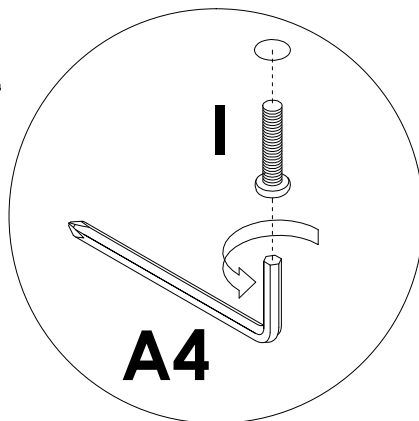
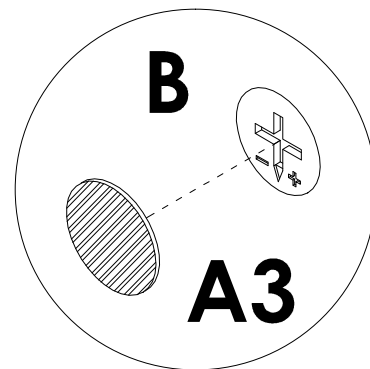
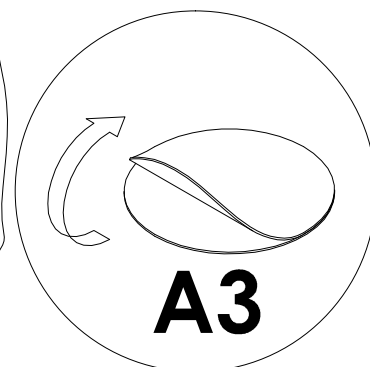
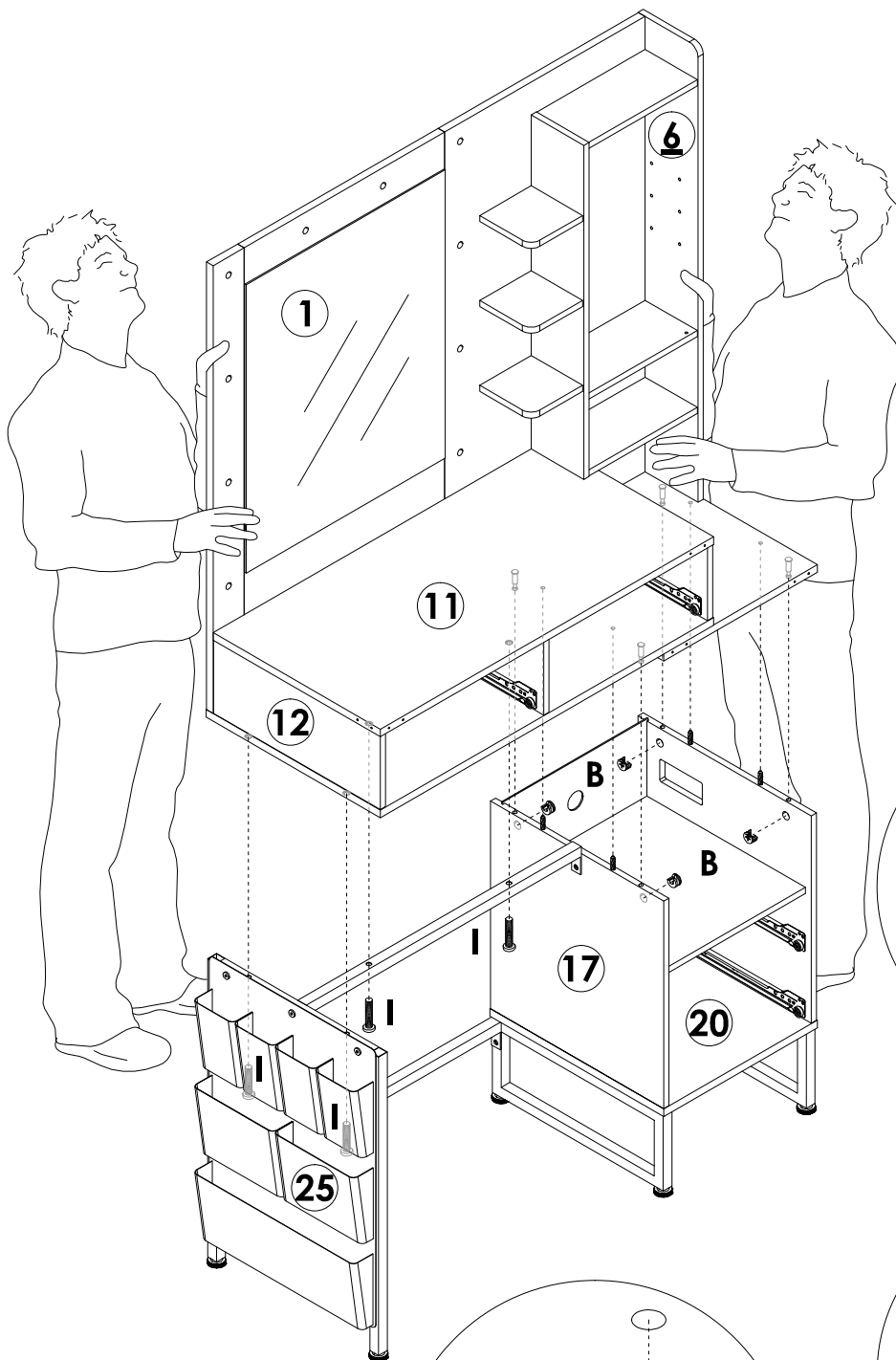



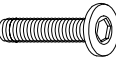


A6 x 2PCS



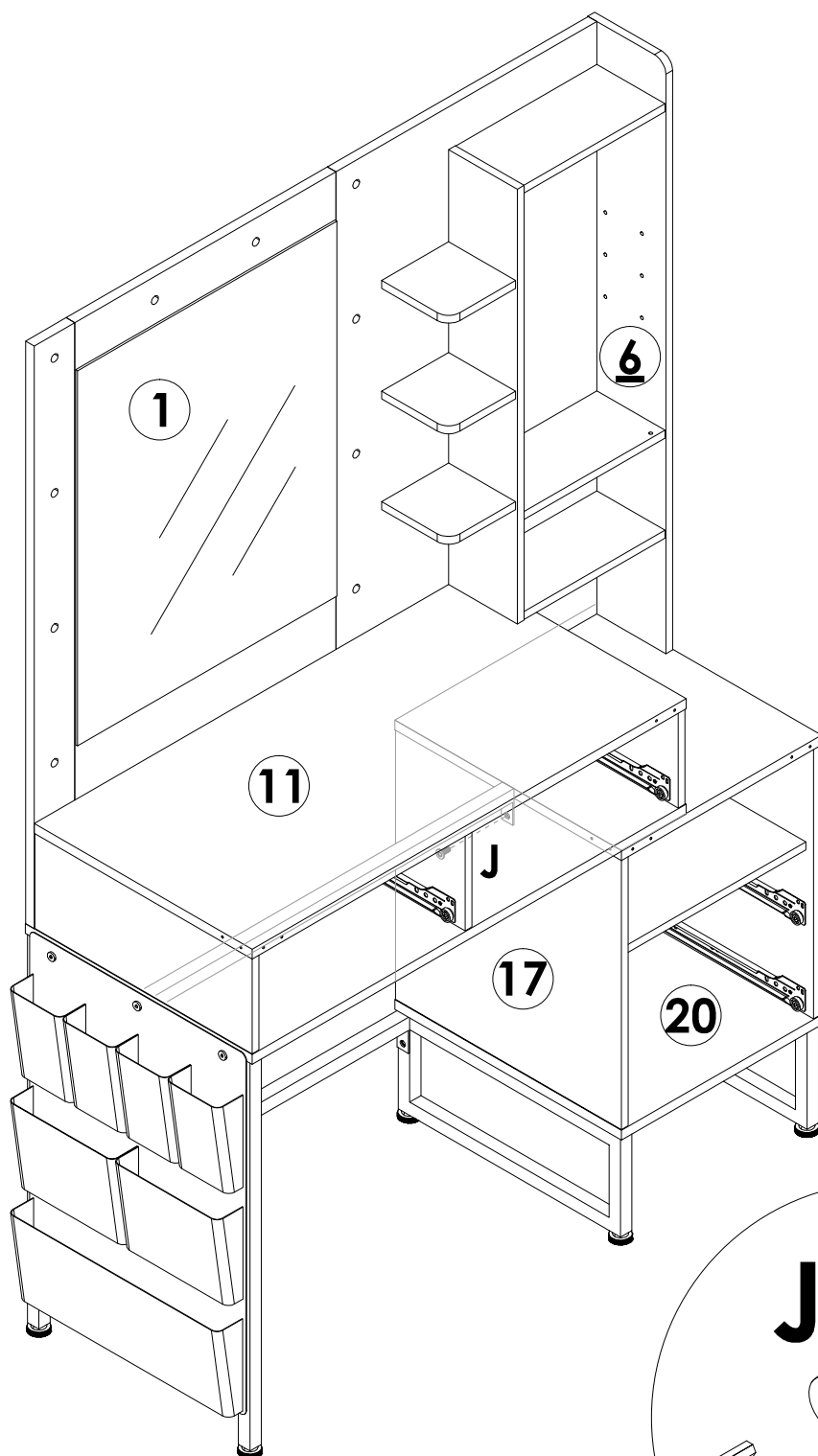
A4 x 1PC

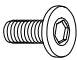

STEP 35

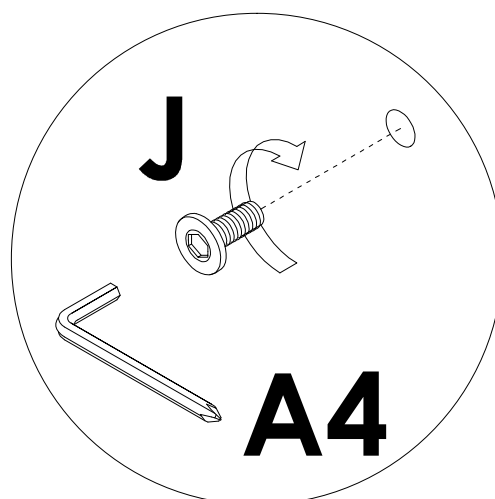


	B x 4PCS
	I x 4PCS
	A3 x 4PCS
	A4 x 1PC

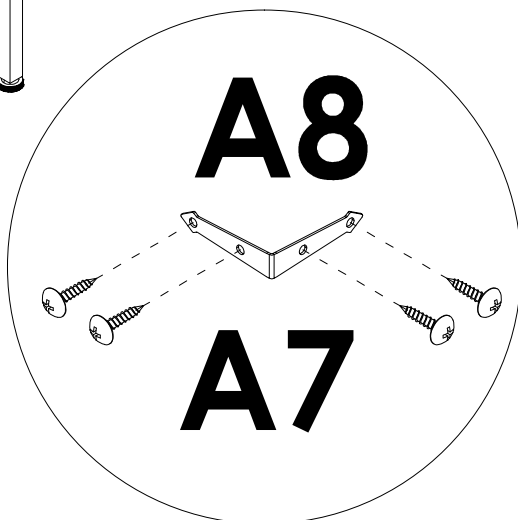
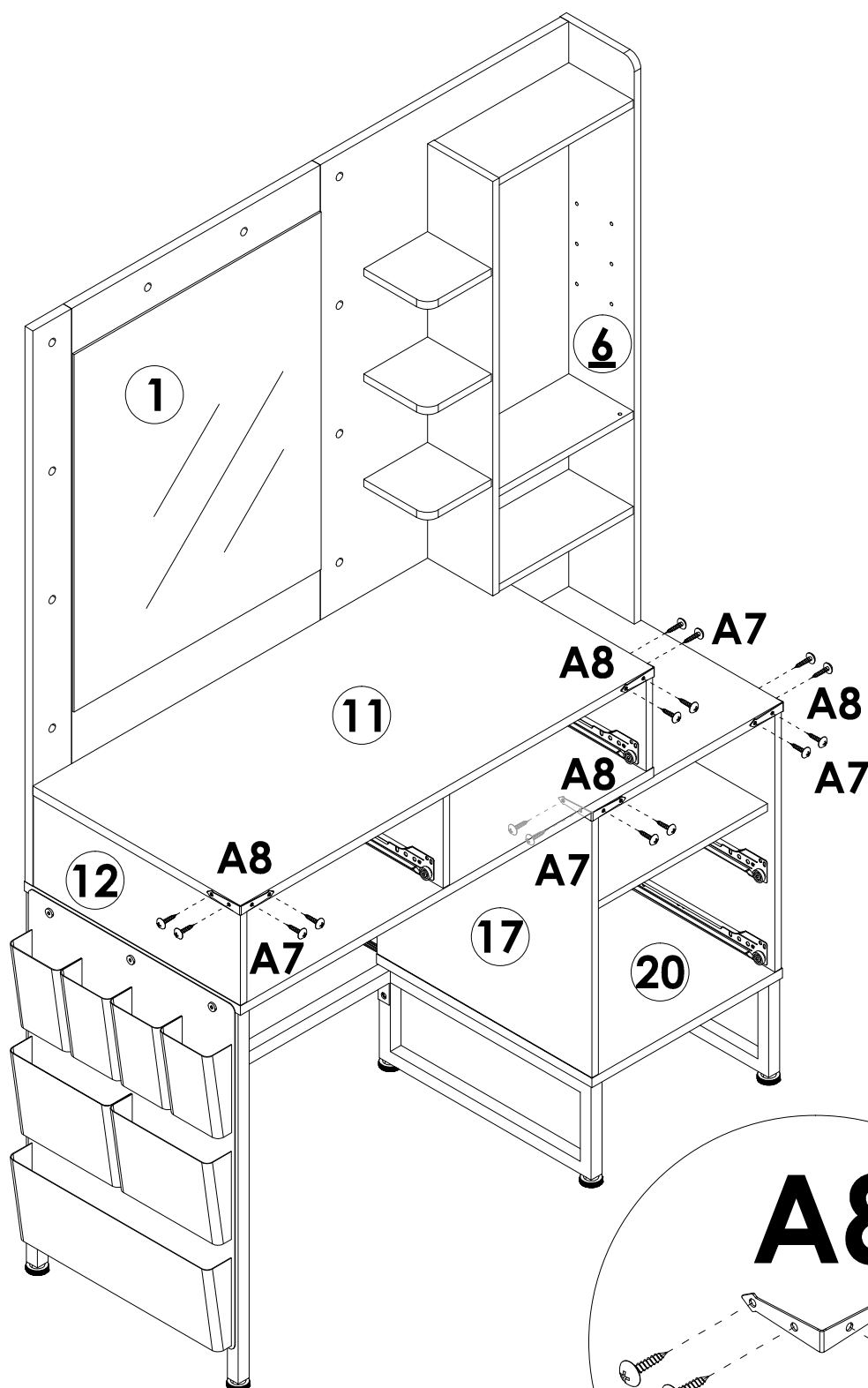
STEP 36

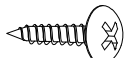
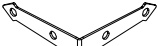


	J x 1PC
	A4 x 1PC



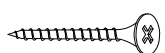
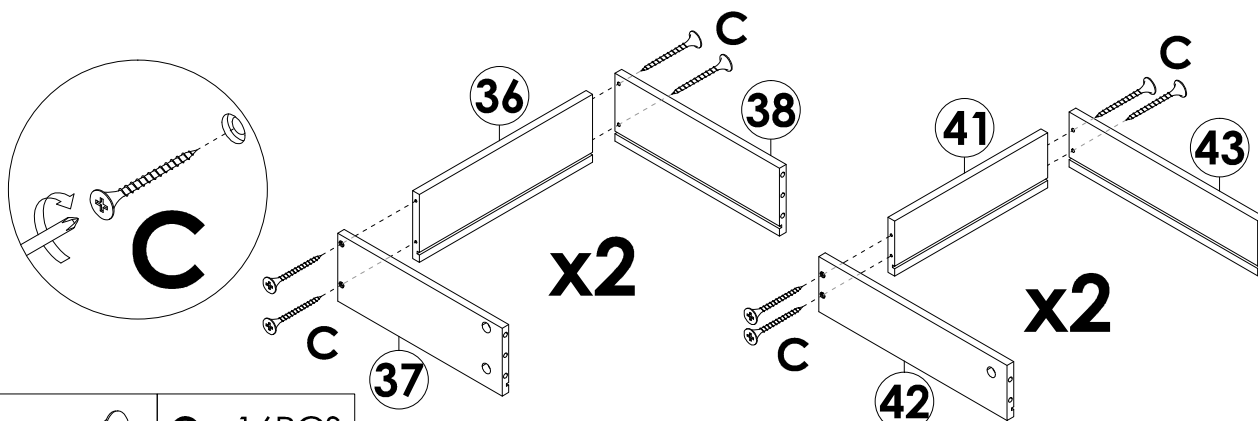
STEP 37



	A7 x 16PCS
	A8 x 4PCS

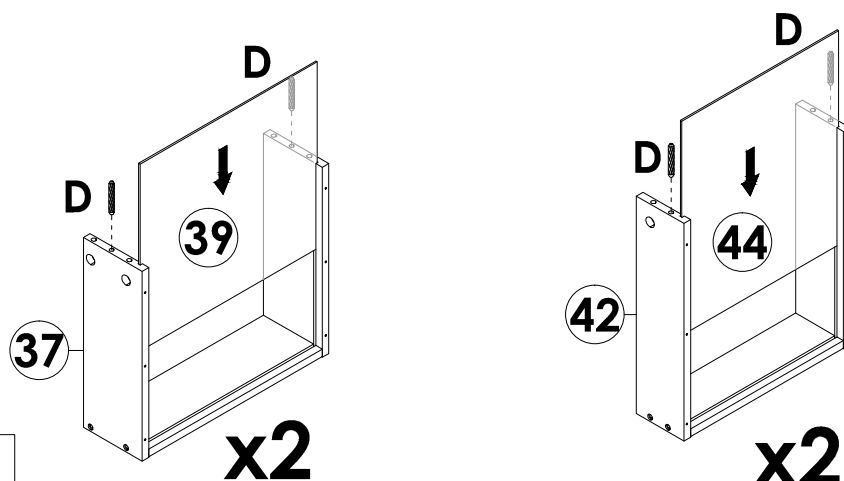
Assembly Steps(EN) / Montageschritte(DE)

STEP 38



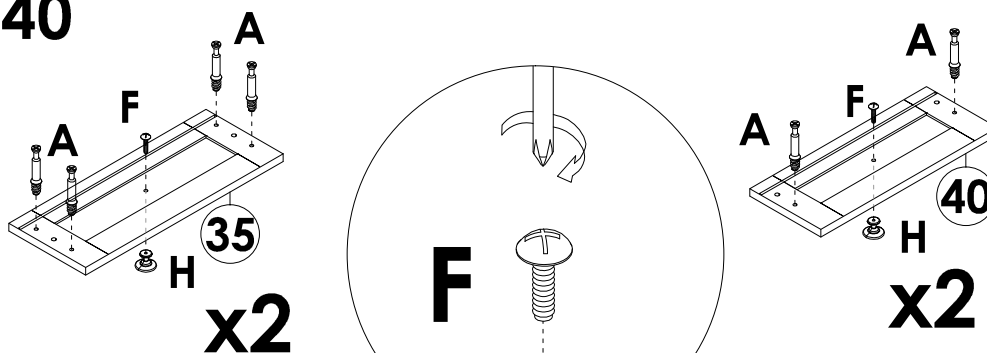
C x 16PCS

STEP 39



D x 8PCS

STEP 40



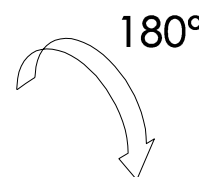
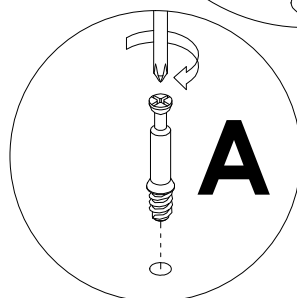
A x 12PCS



F x 4PCS



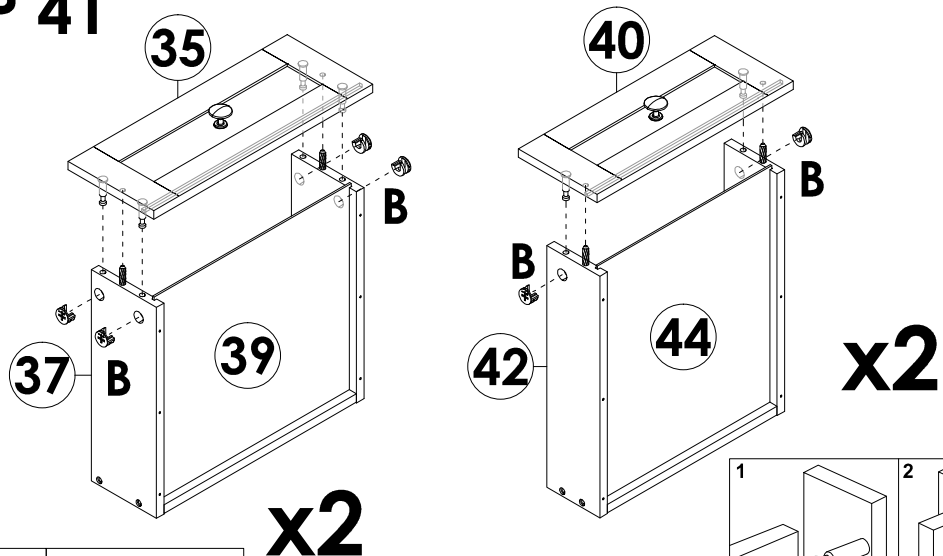
H x 4PCS



180°

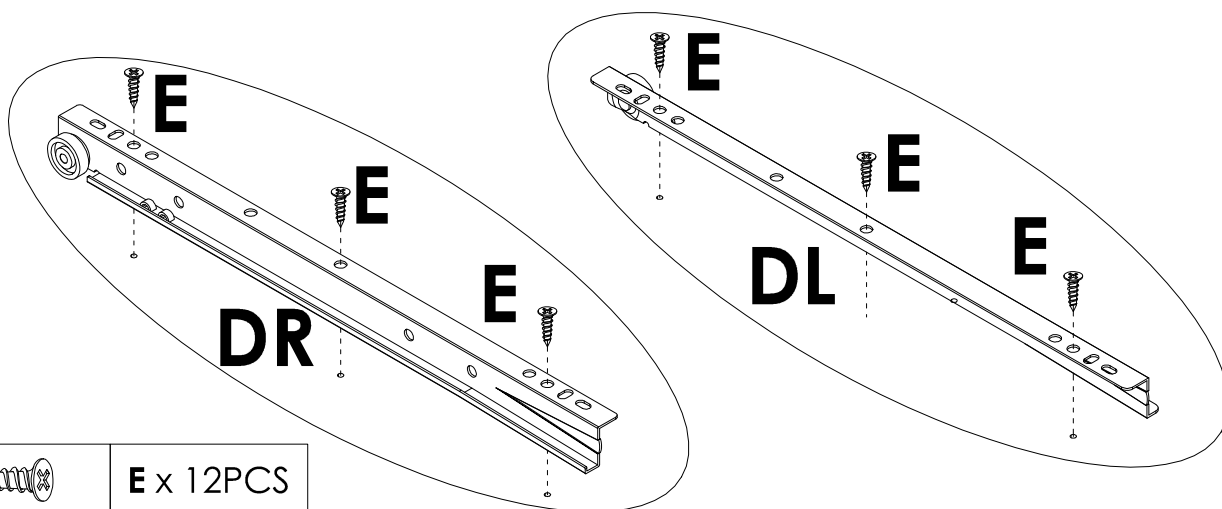
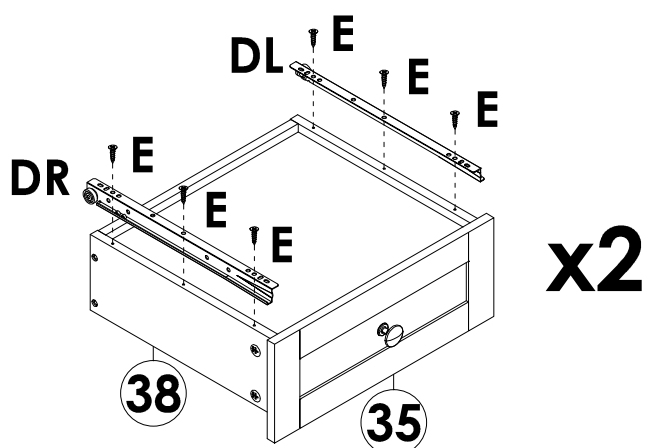
Assembly Steps(EN) / Montageschritte(DE)

STEP 41



B x 12PCS

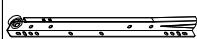
STEP 42



E x 12PCS

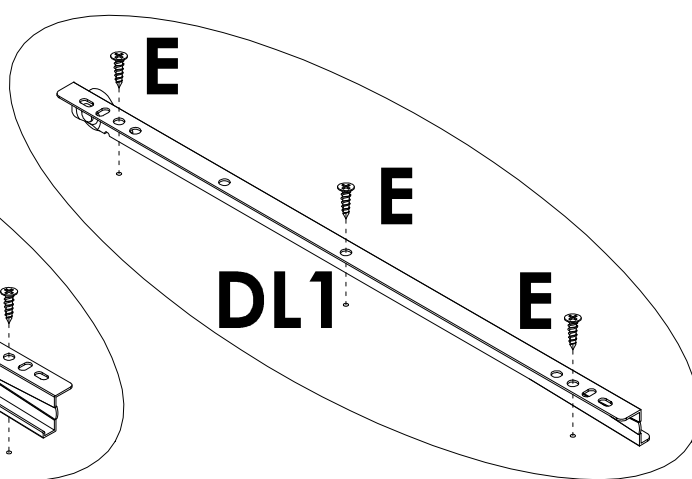
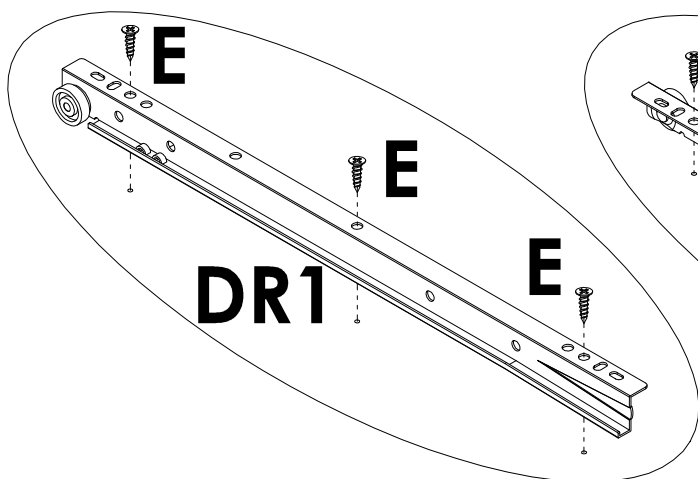
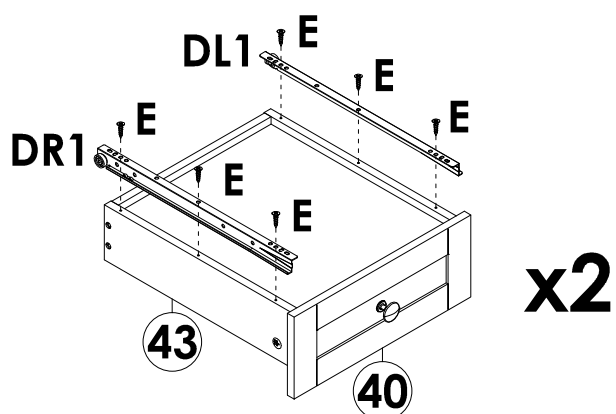





DL x 2PCS



DR x 2PCS

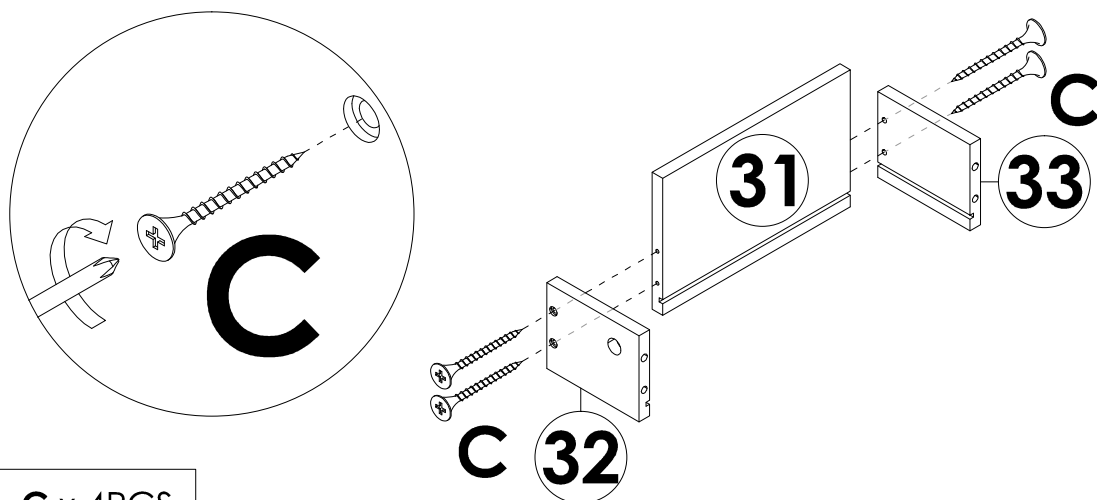
STEP 43



	E x 12PCS
	DL1 x 2PCS
	DR1 x 2PCS

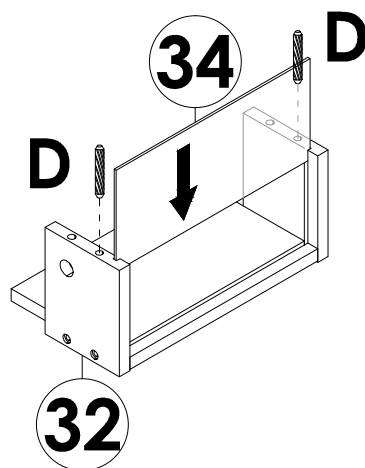
Assembly Steps(EN) / Montageschritte(DE)

STEP 44



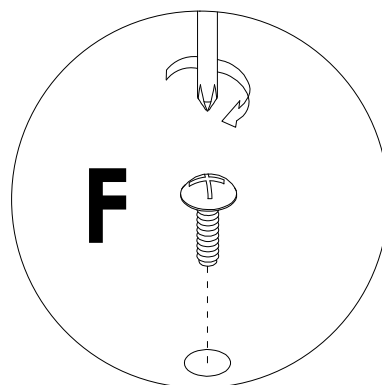
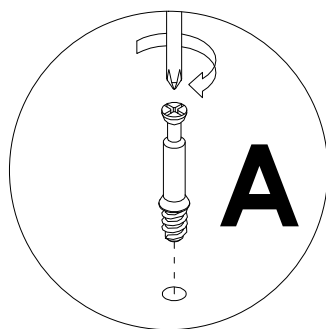
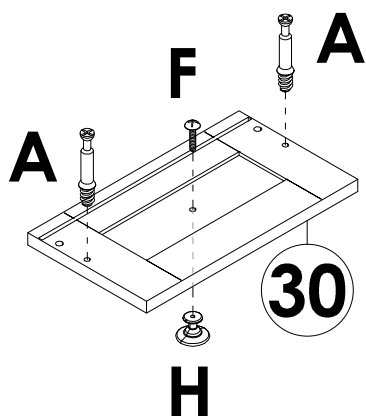
C x 4PCS

STEP 45

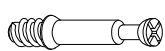


D x 2PCS

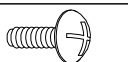
STEP 46



180°



A x 2PCS

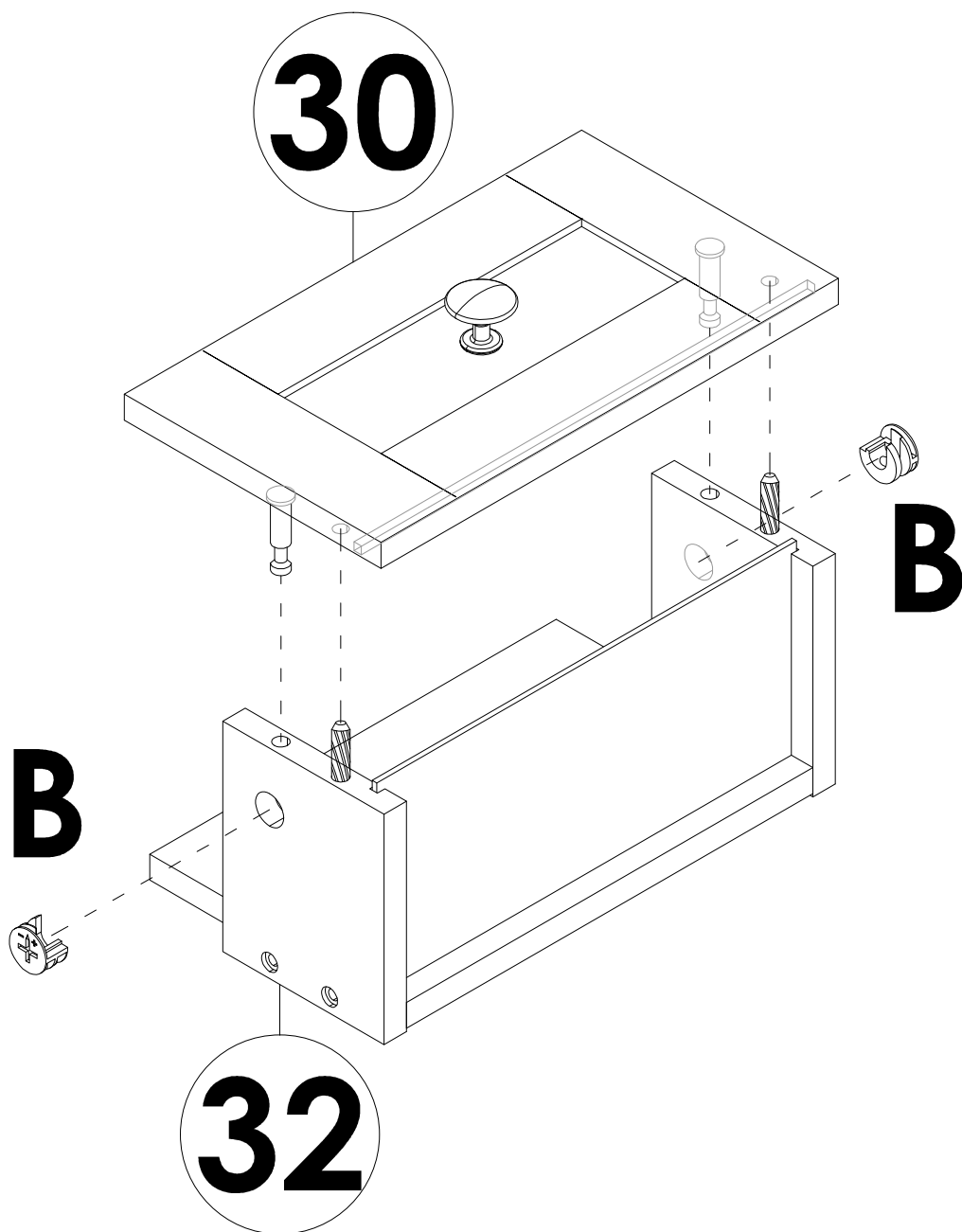


F x 1PC

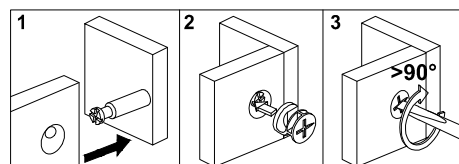


H x 1PC

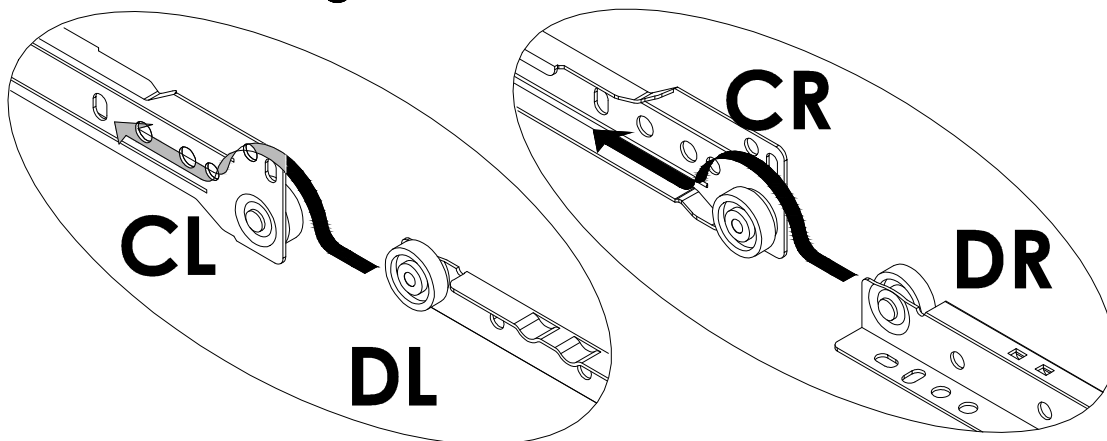
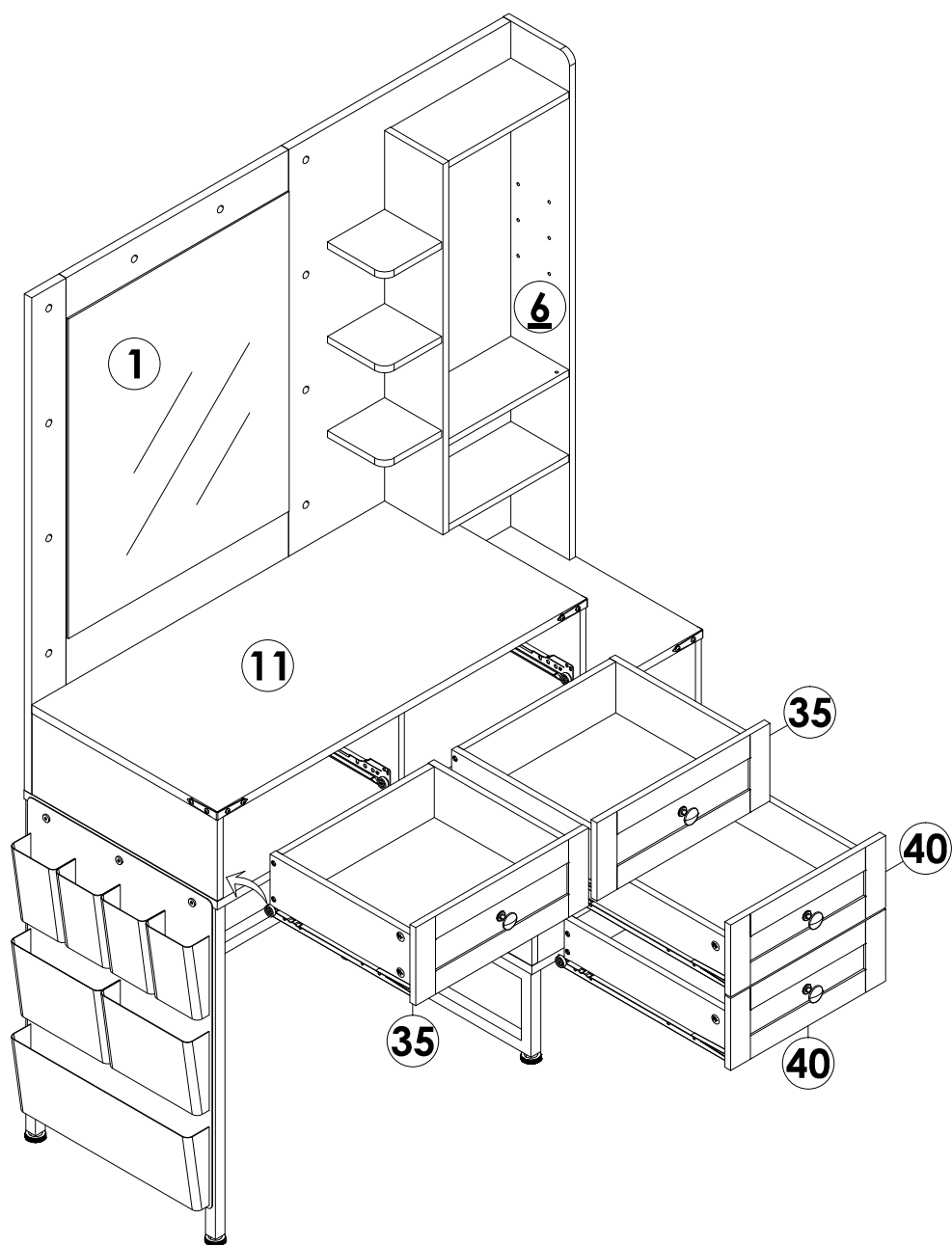
STEP 47



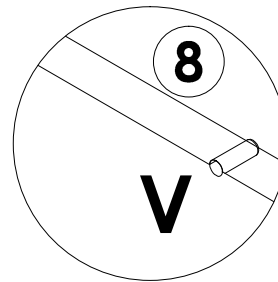
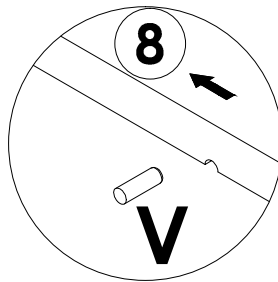
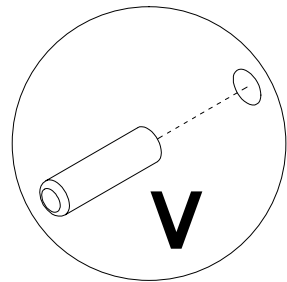
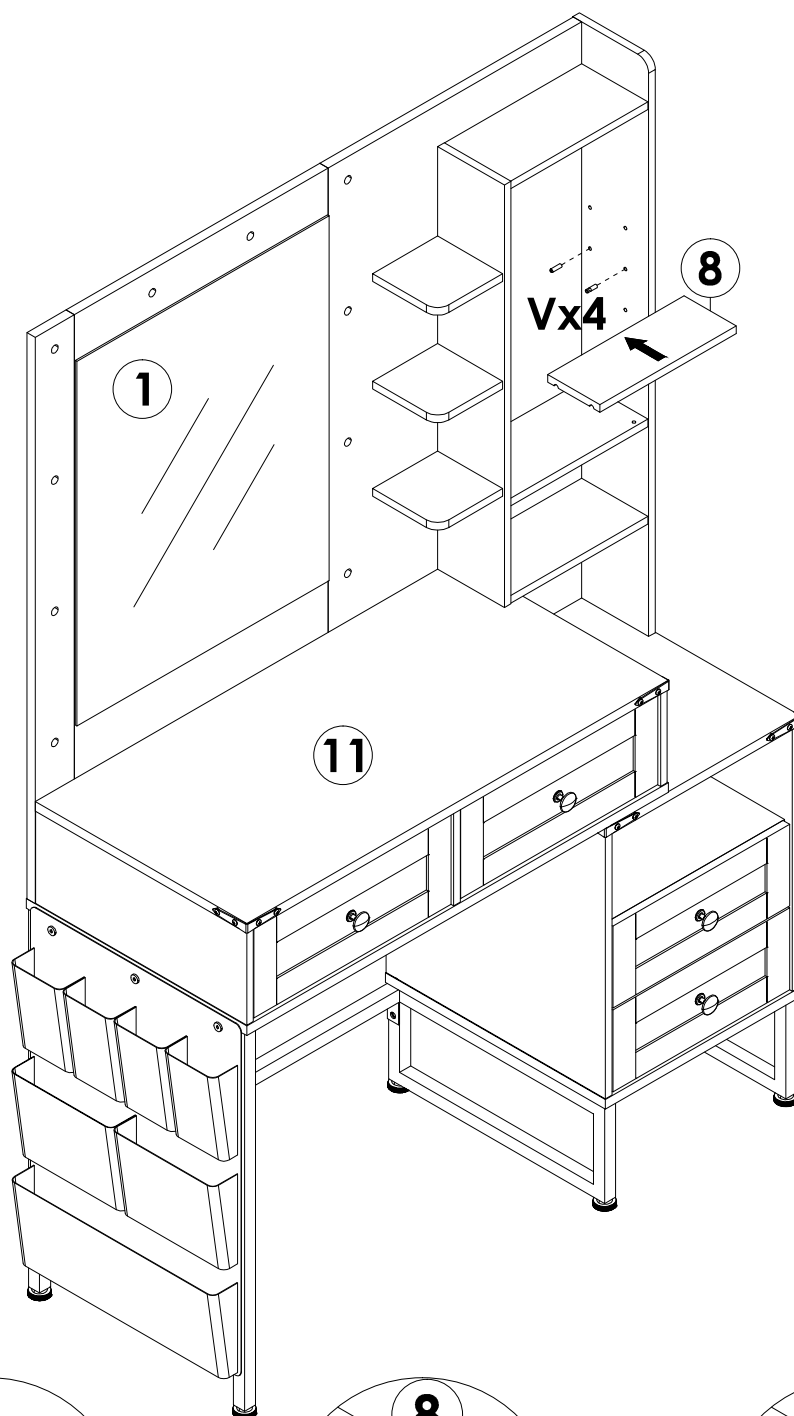
B x 2PCS

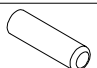


STEP 48








STEP 49

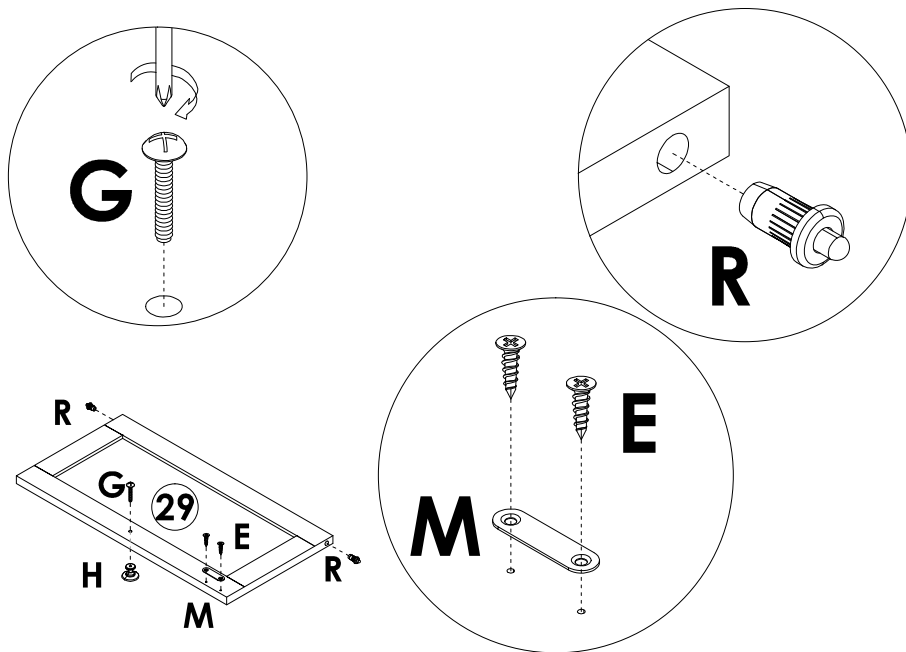


	V x 4PCS
---	----------

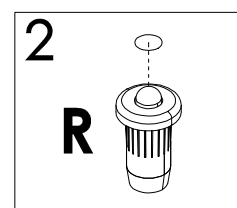
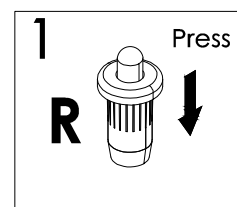
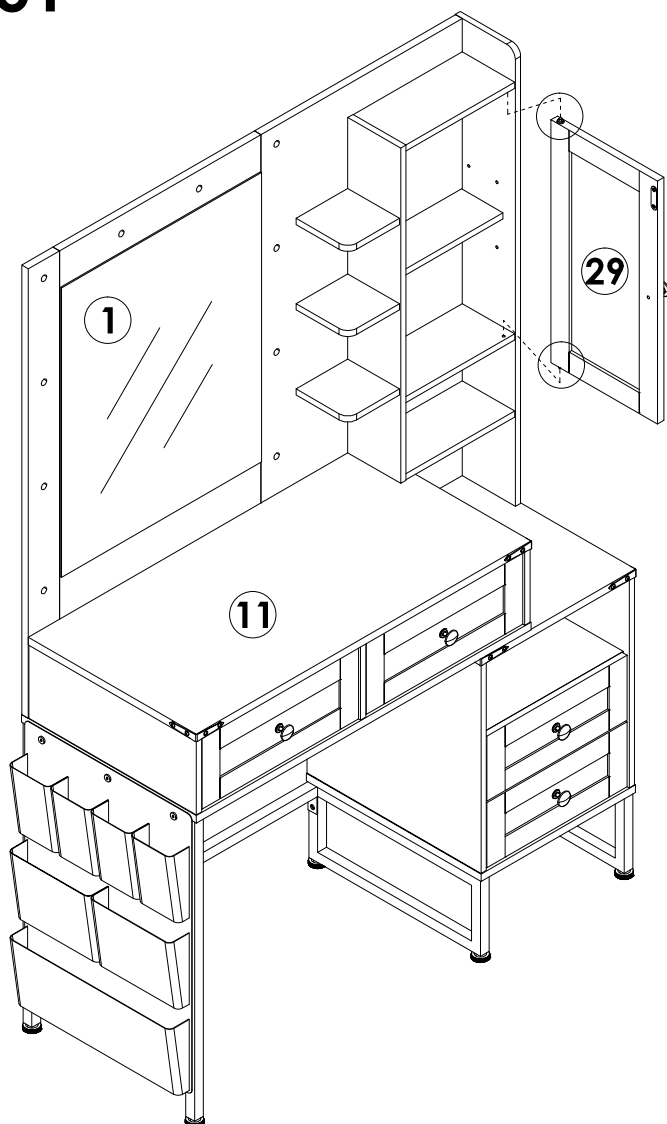
Assembly Steps(EN) / Montageschritte(DE)

STEP 50

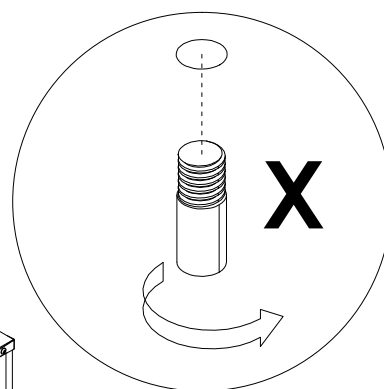
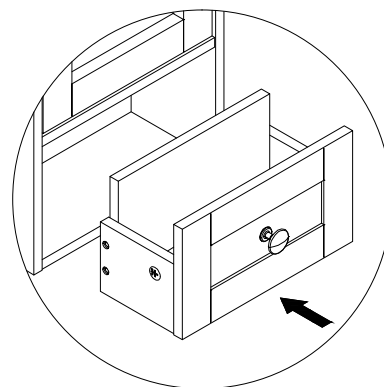
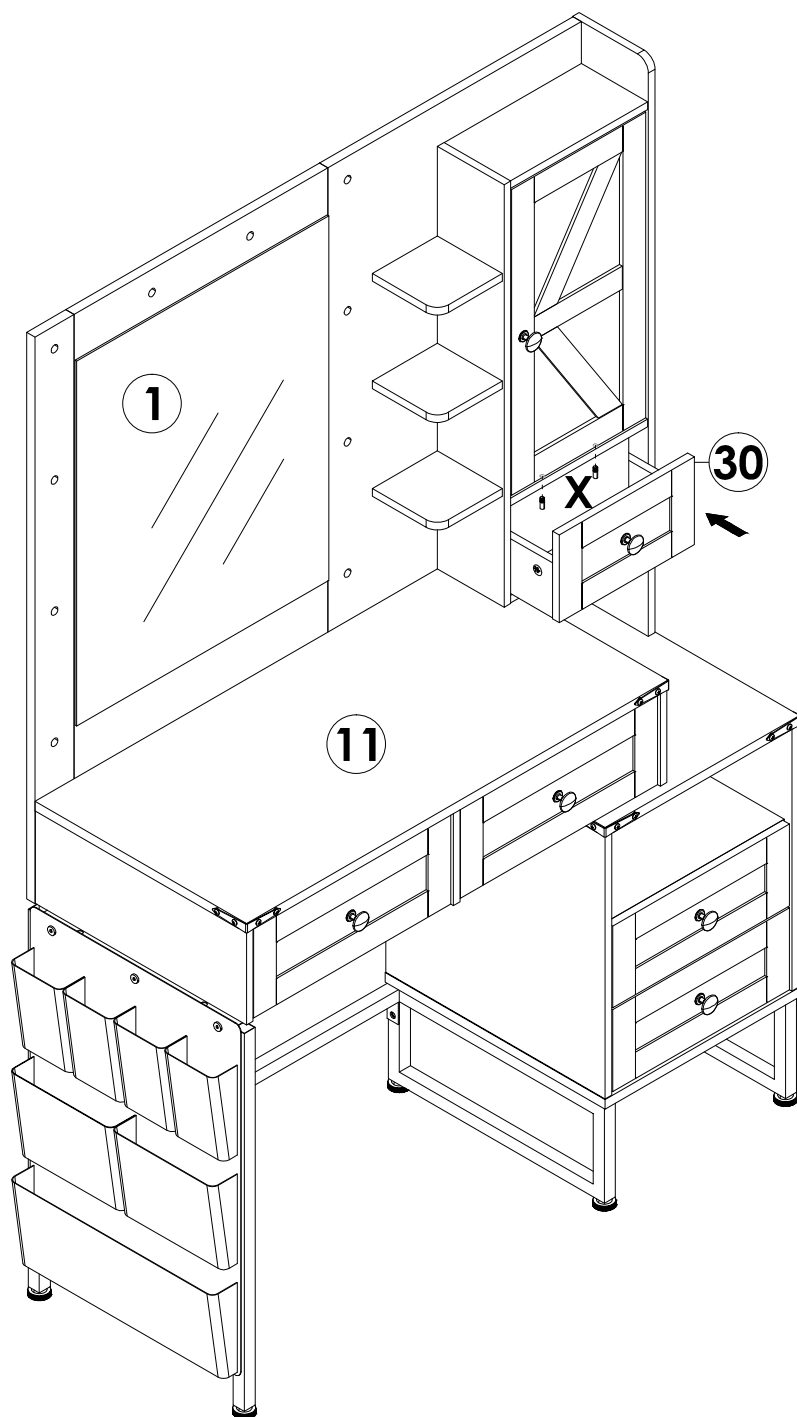
	E x 2PCS
	G x 1PC
	H x 1PC
	M x 1PC
	R x 2PCS



STEP 51

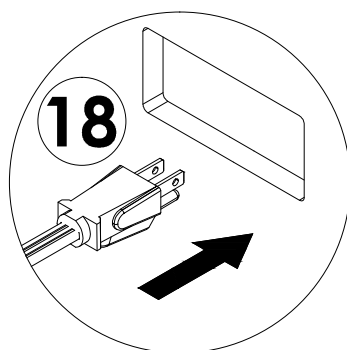
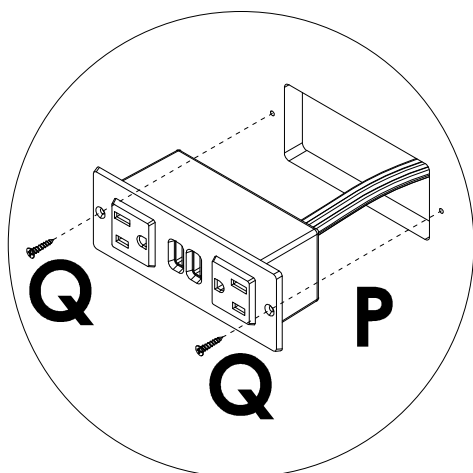
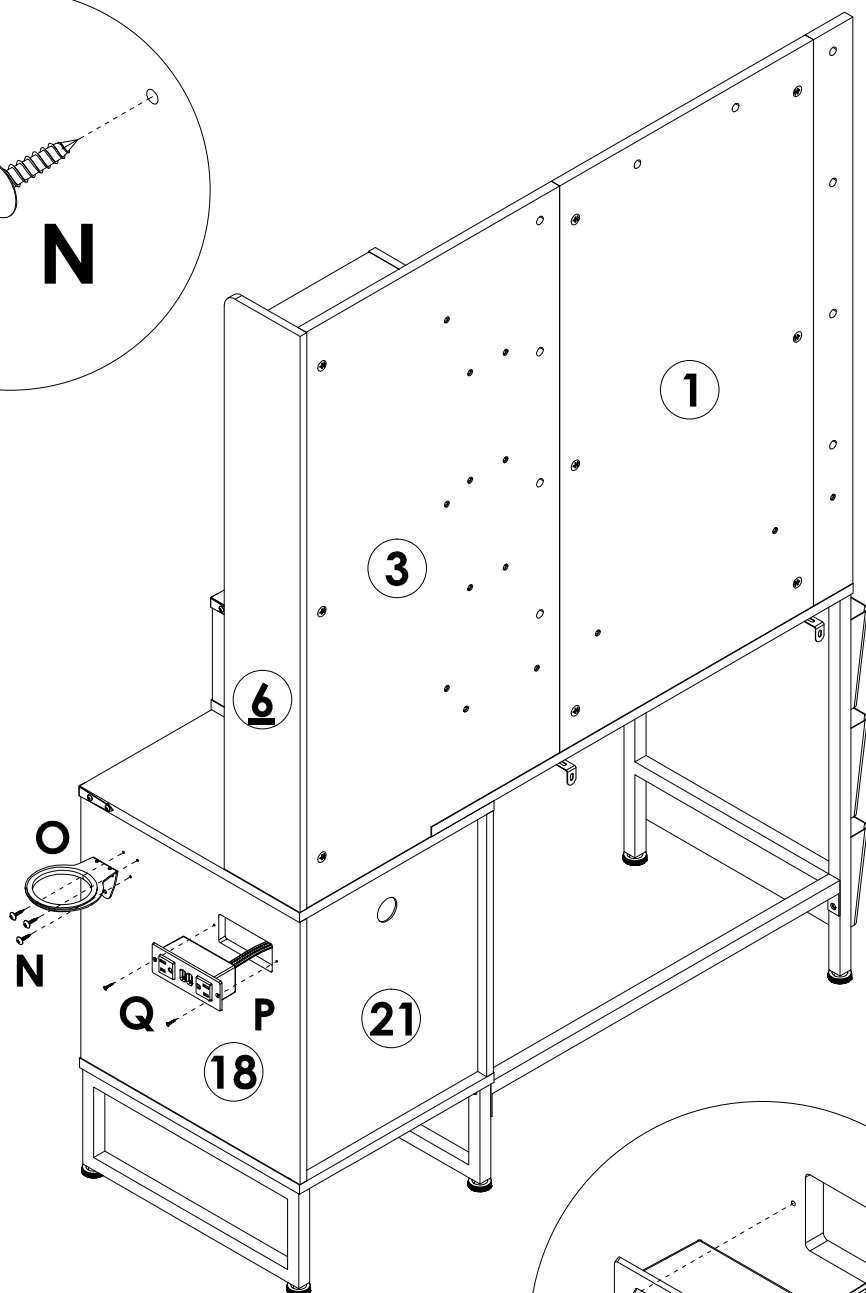
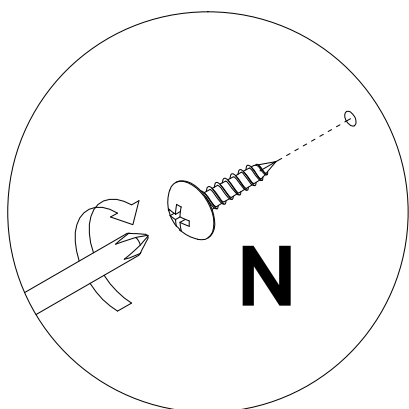


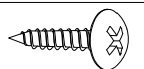



STEP 52



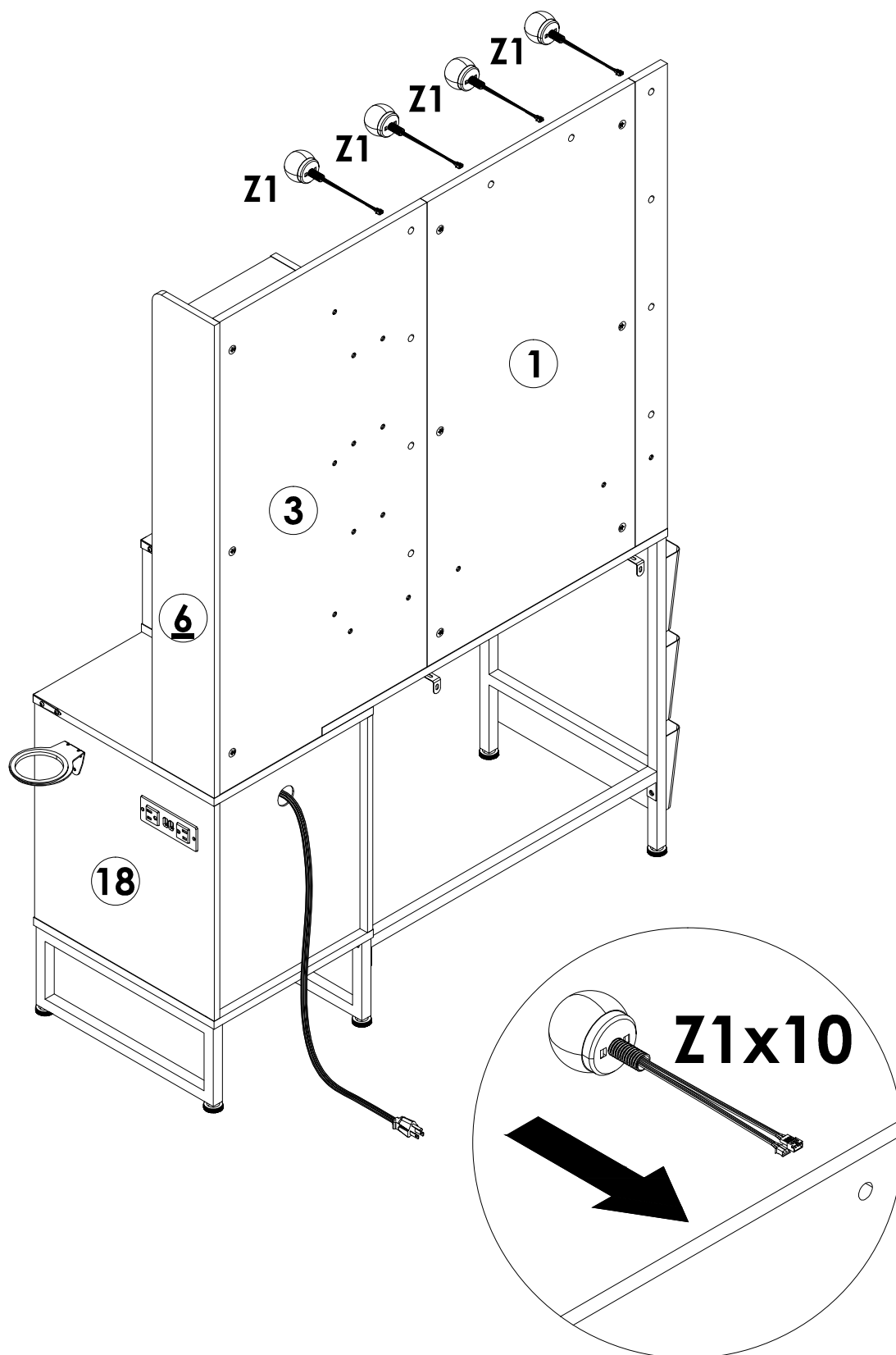
X x 2PCS

STEP 53



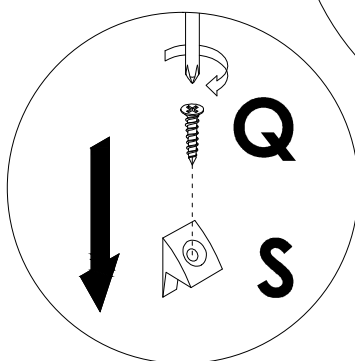
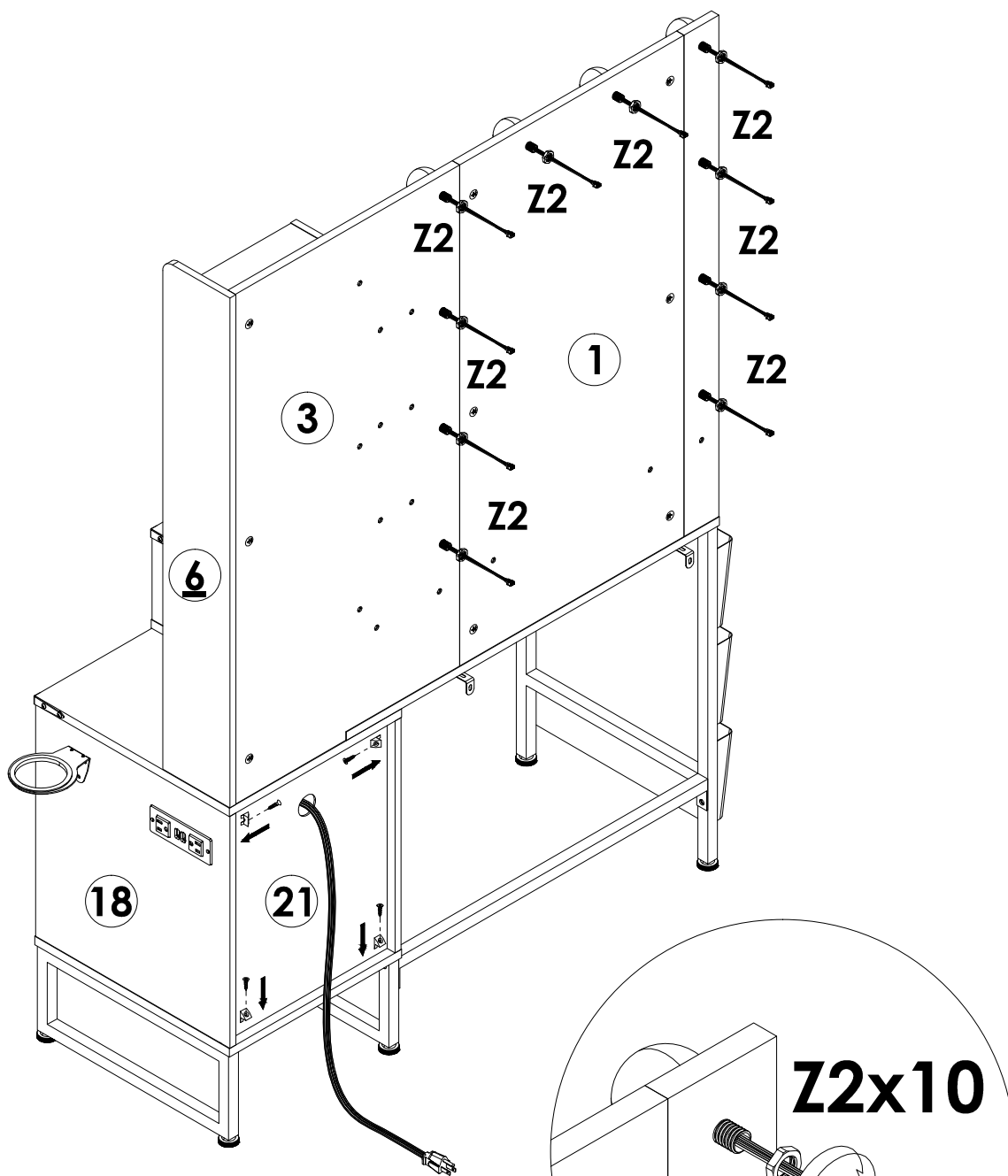
	N x 3PCS
	O x 1PC
	P x 1PC
	Q x 2PCS




STEP 54



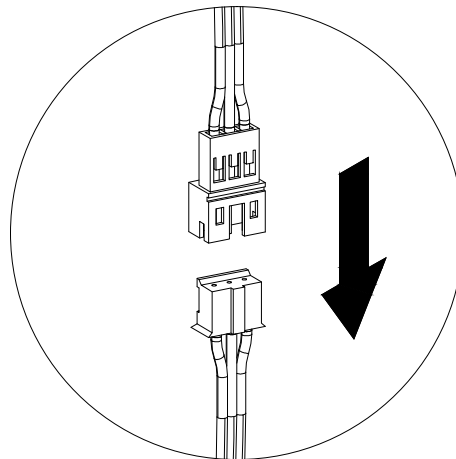
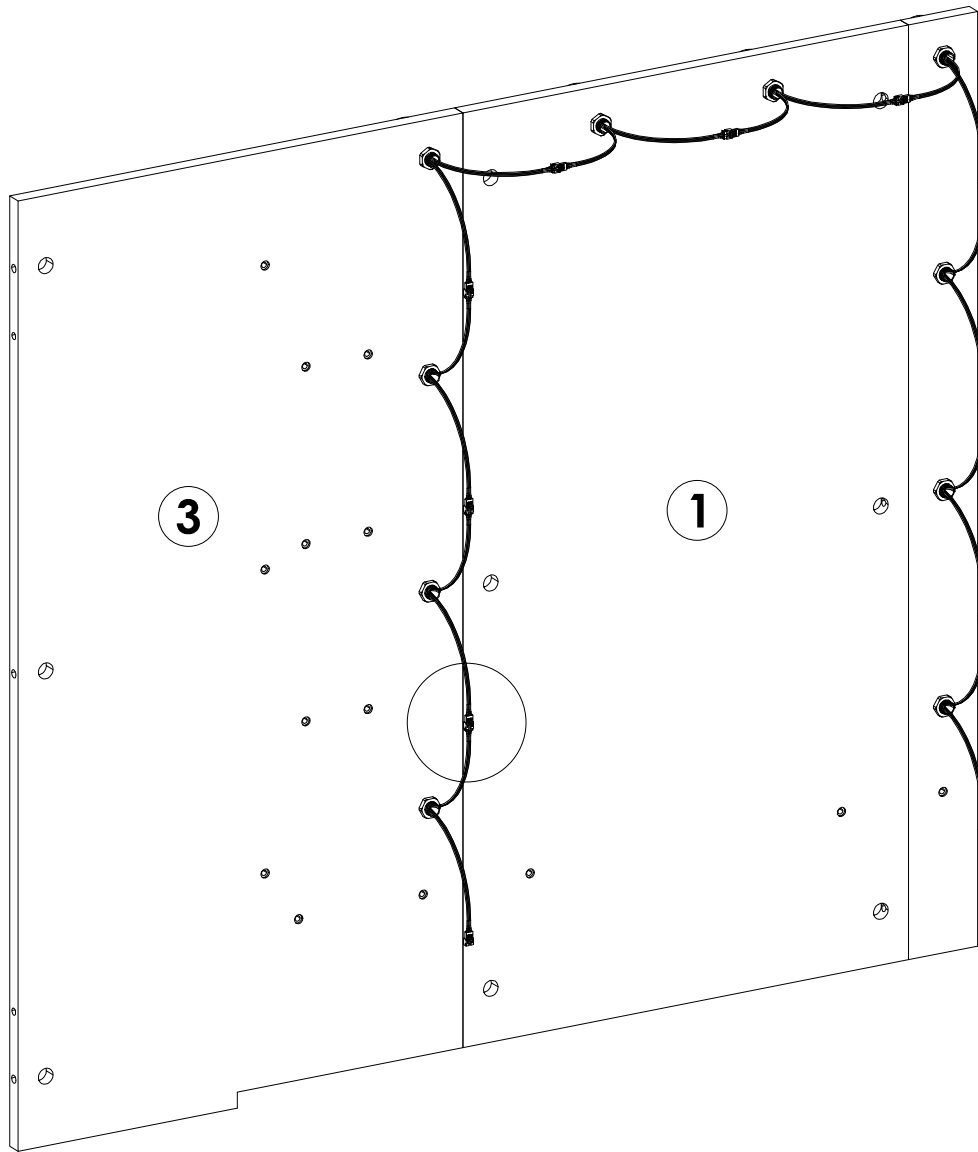
Z1 x 10PCS

STEP 55

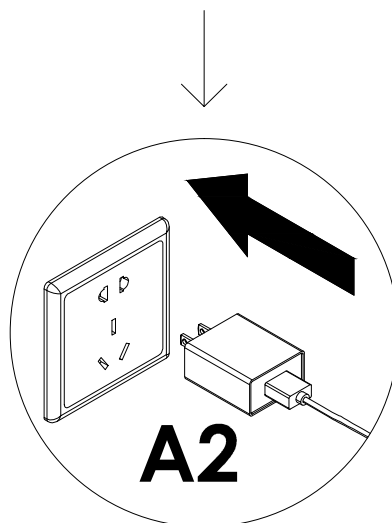
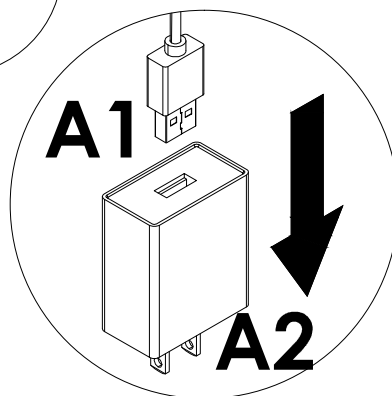
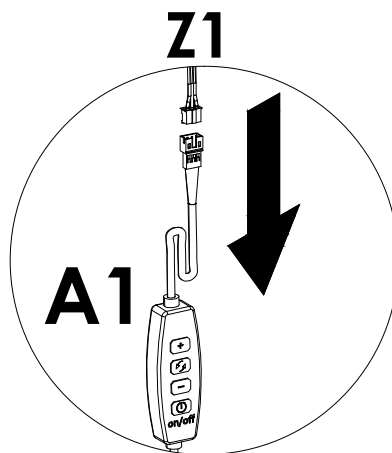
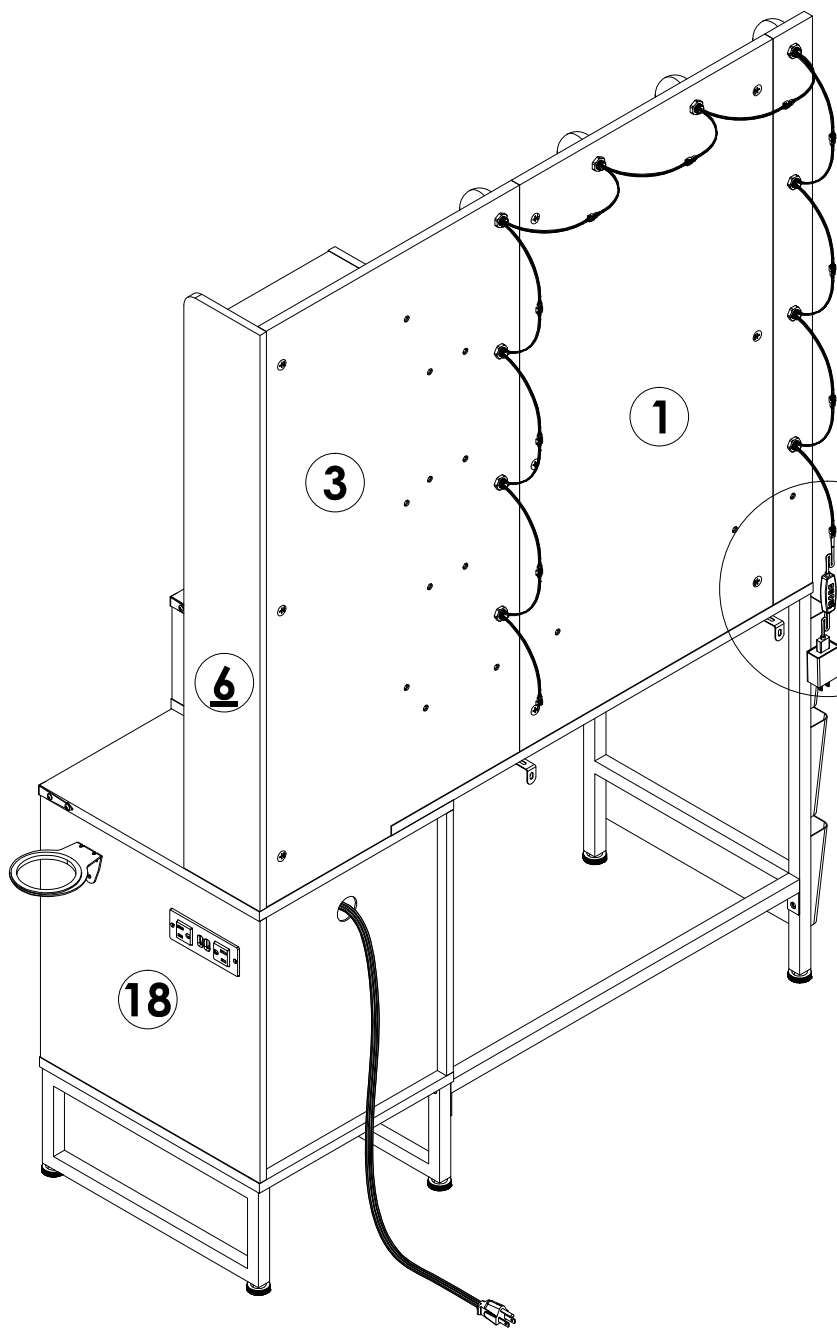


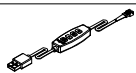

	Q x 4PCS
	S x 4PCS
	Z2 x 10PCS

STEP 56

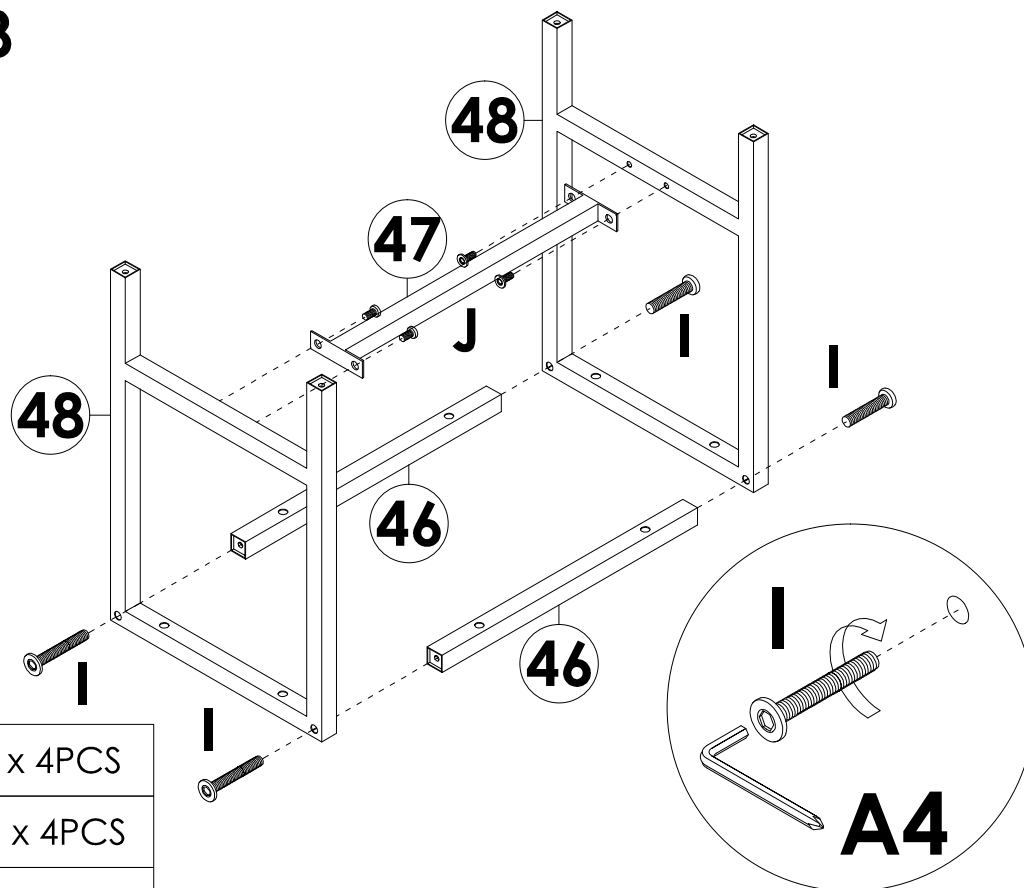


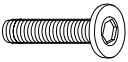
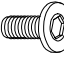

STEP 57



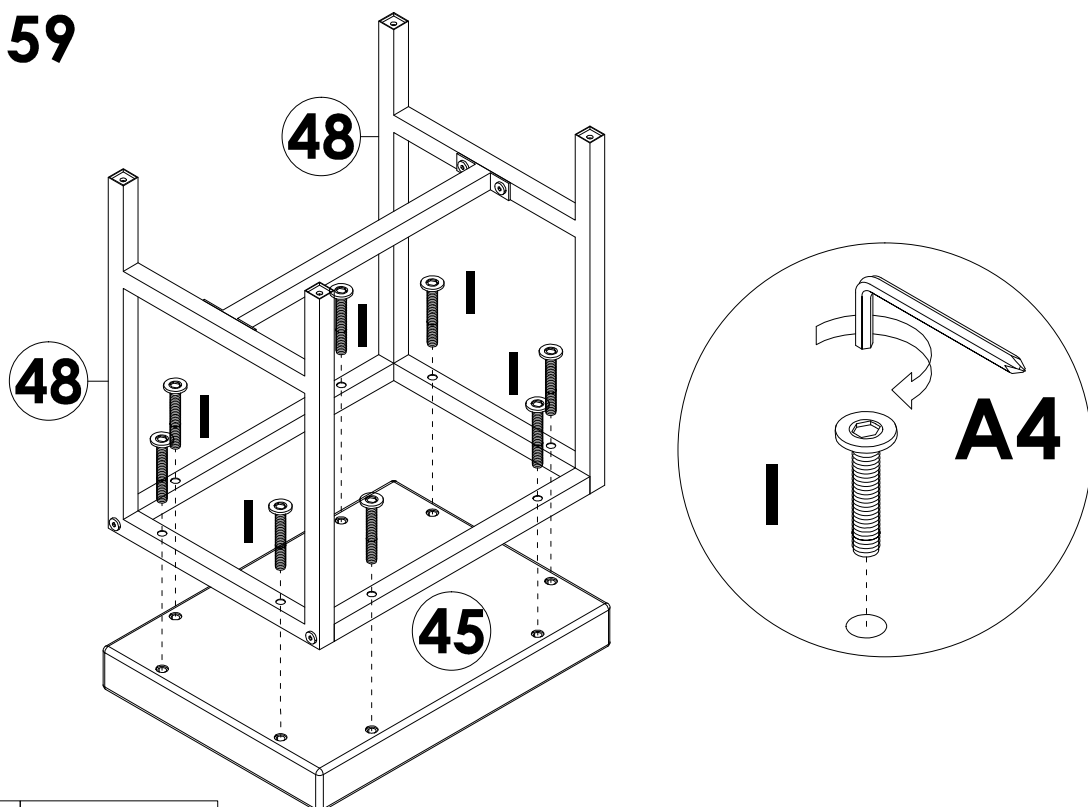
	A1 x 1PC
	A2 x 1PC

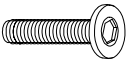

STEP 58



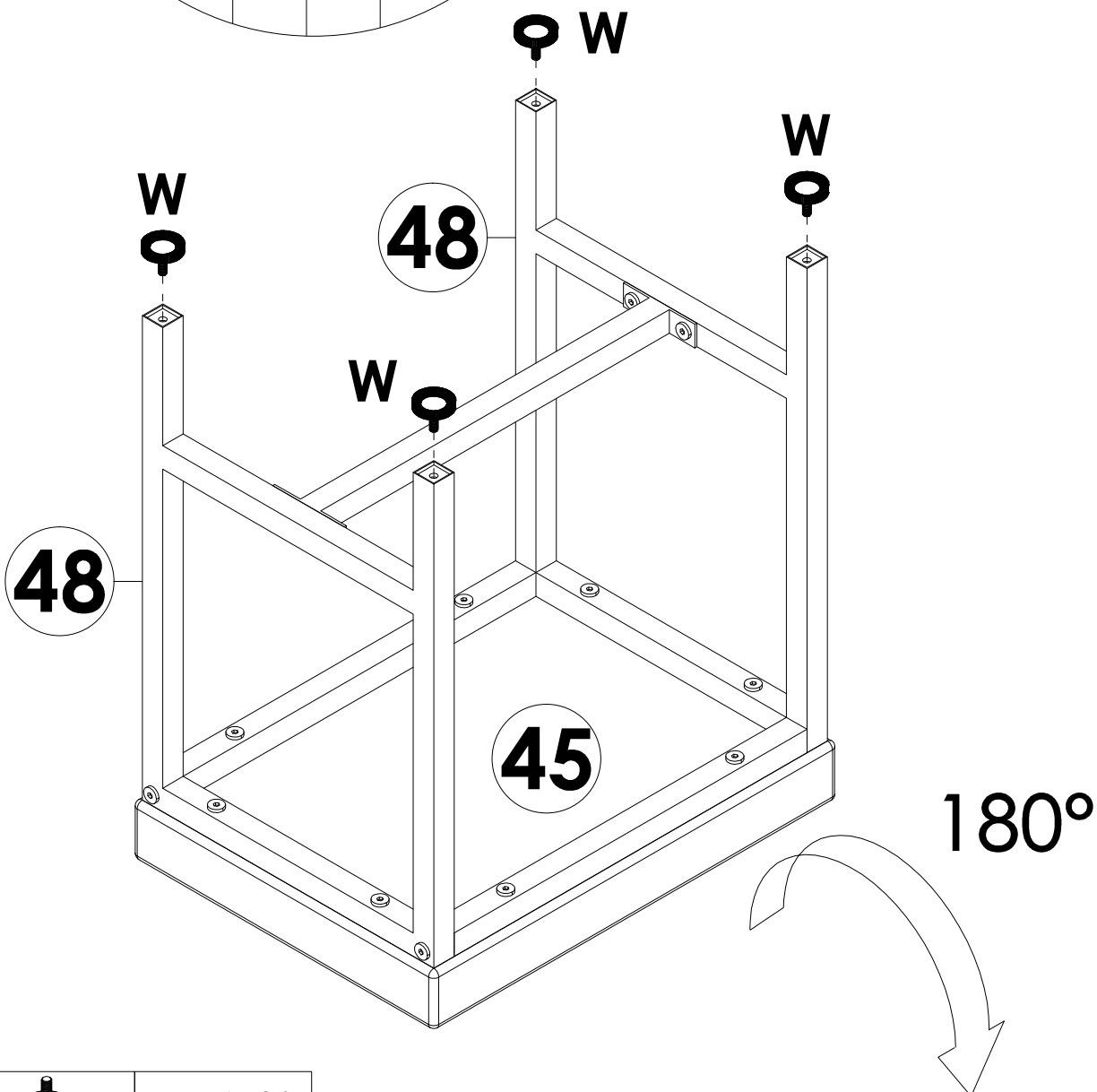
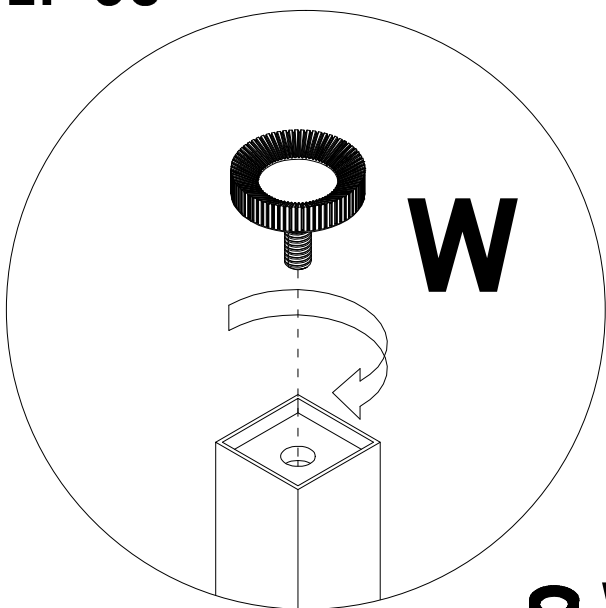
	I x 4PCS
	J x 4PCS
	A4 x 1PC

STEP 59



	I x 8PCS
	A4 x 1PC

STEP 60

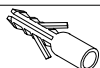
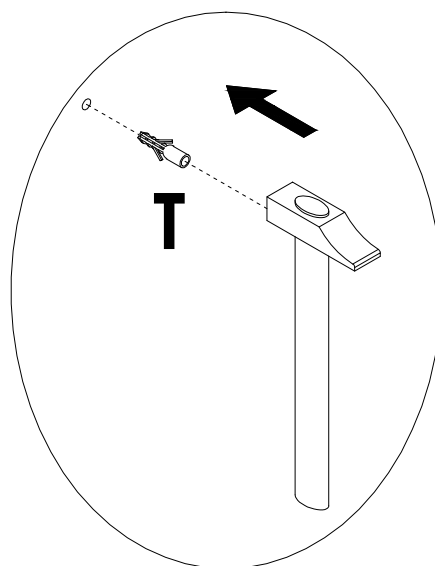
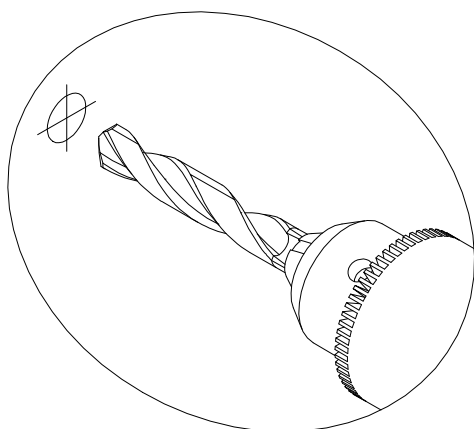


W x 4PCS

Assembly Steps(EN) / Montageschritte(DE)

STEP 61

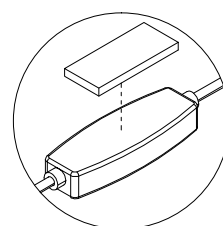
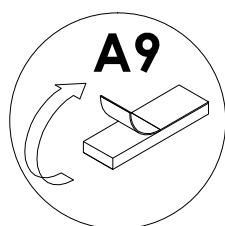
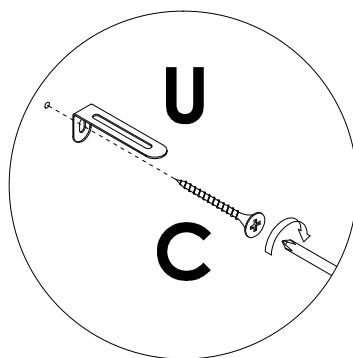
WALL



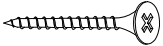

T x 2PCS

STEP 62

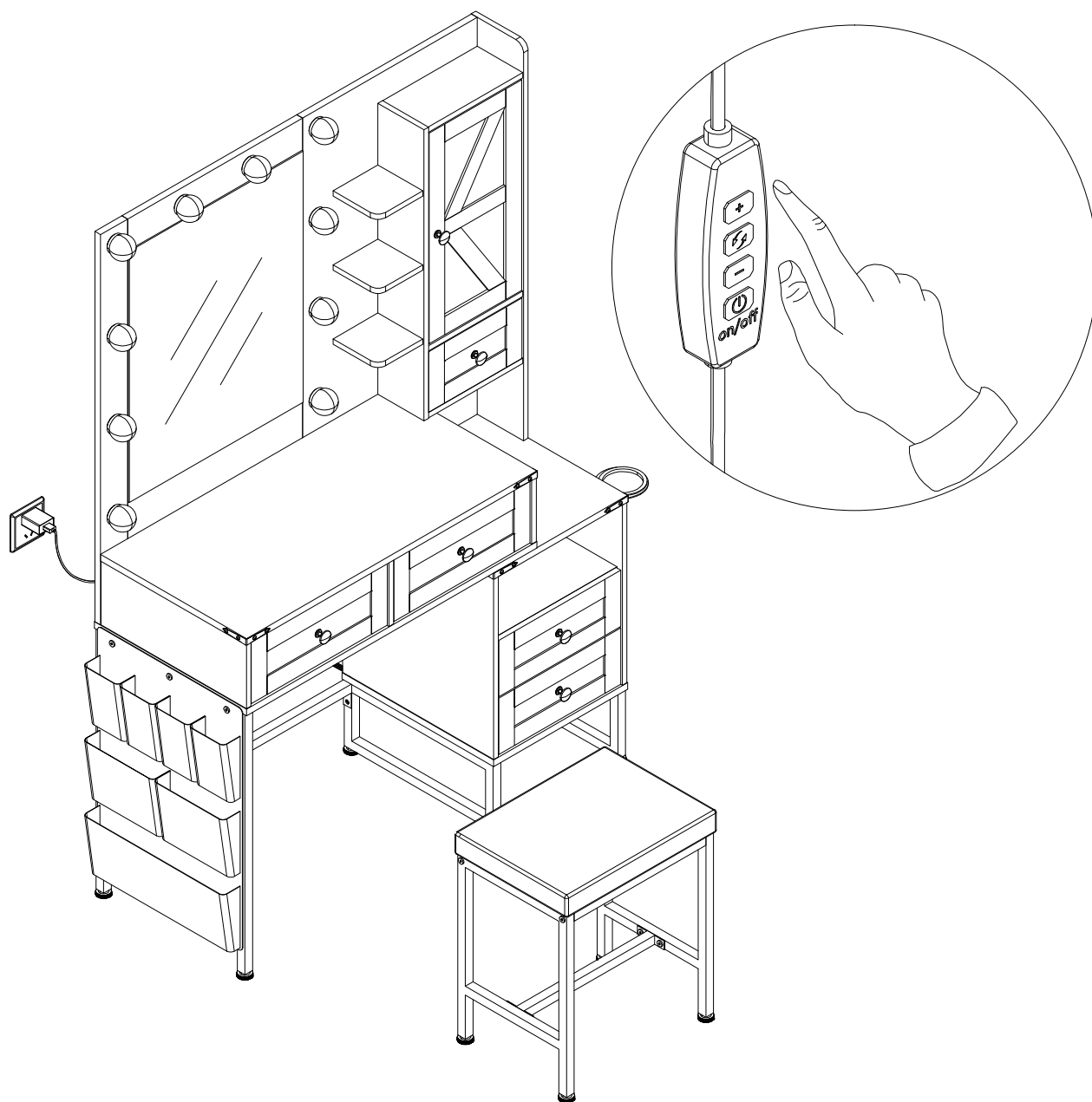
WALL



You can choose whether to use accessory A9 to fix the mirror bulb switch.

	C x 2PCS
	A9 x 1PC

STEP 63



When the power is turned on, press the button , the light bulb is turned on/off.

When the light bulb is turn on, press the button to change the light color.

Press + or - button to adjust the brightness of the light, and the color of the light will not be changed.

WARNING



Children have died from furniture tipover. To reduce the risk of furniture tipover:

- **ALWAYS** install Anti-tip device provided.
- **NEVER** put a TV on this product.
- **NEVER** allow children to stand, climb or hang on any drawers, doors, or shelves.
- **NEVER** open more than one drawer at a time.
- Place heaviest items in the lowest drawers.

***This is a permanent label.
Do not remove!***