

**\*\*Please Note:\*\***

**1. Some metal parts may have sharp edges. Please handle with care and use gloves during assembly to avoid injury.**

**Customer Phone Service**

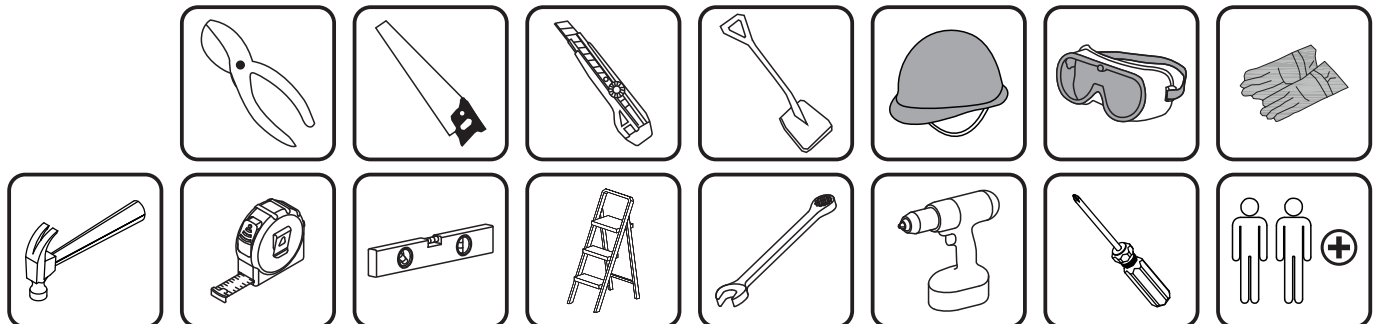
**+1 888 891 2855**

**Mon - Fri from 9AM to 5PM (PST)**

**2. Do not fully tighten the screws prior to completion of the installation process to facilitate necessary adjustments.**

**Attention: The placement and positioning of each parts in the following steps must be carried out in accordance with the steps in the manual to avoid repeated disassembly during installation.**

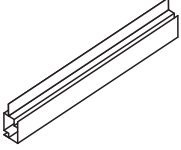
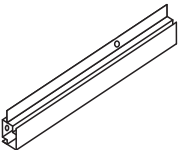
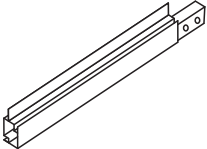
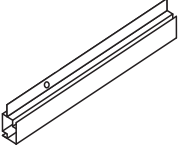
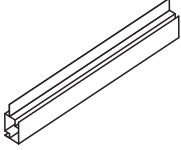
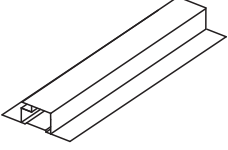
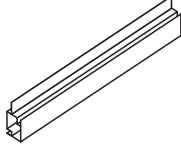
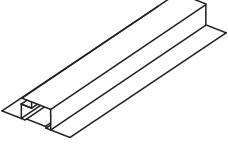
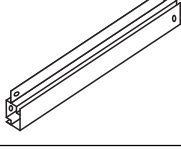
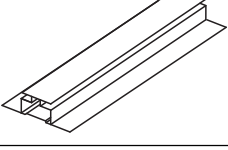
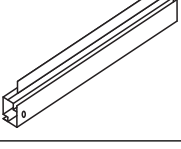
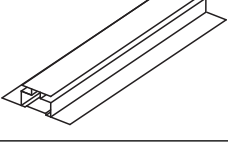
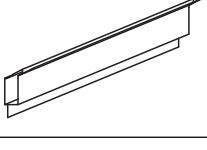
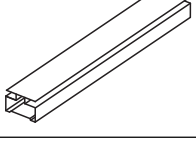
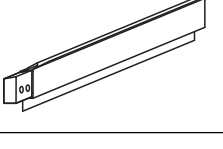
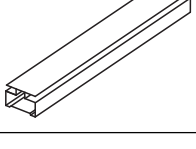
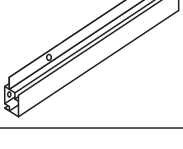
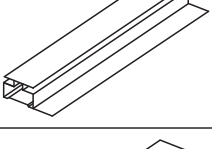
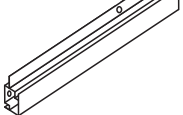
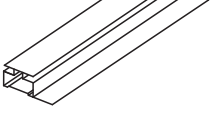
**Tools Recommended**

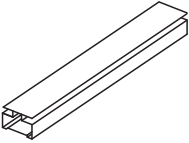
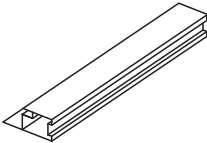
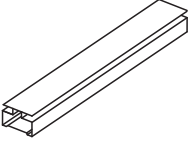
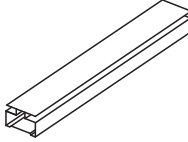
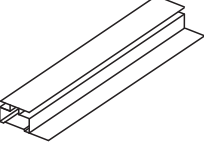
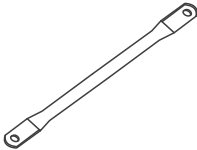
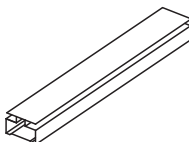
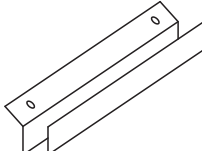
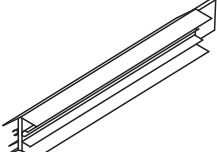
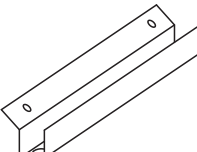
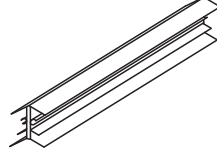
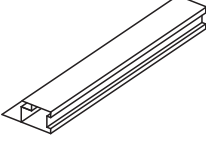
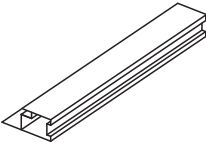


## CONTENTS

1.Contents	3
2.Precautions for installation	4
4.Part list	5-9
5.Product explosion diagram	10-11
6.Base installation step	12
7.Back wall installation steps	13-16
8.Front wall installation steps	17-21
9.Side wall installation steps	22
10.Top installation steps	23-27
11.Door installation steps	28-29

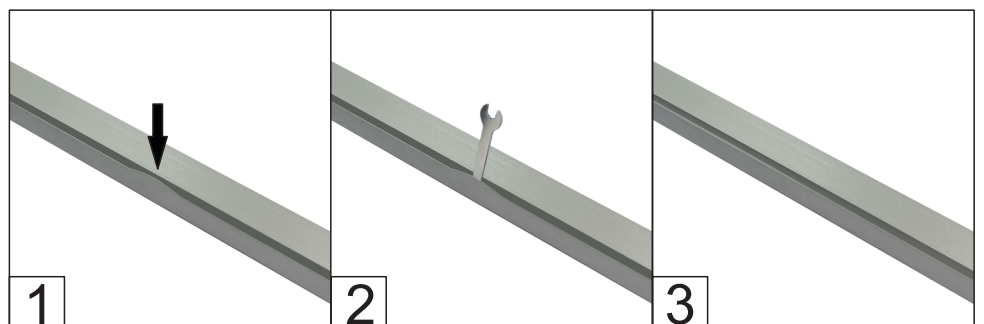
# Aluminum Parts:

No.	Picture	Qty.	Size	No.	Picture	Qty.	Size
1		2	46.3"	10		1	38"
2		2	46.3"	11		1	38"
3		1	67.7"	12		1	66"
4		1	67.7"	13		1	66"
5A		2	52.7"	14		1	66.8"
5B		2	52.7"	15		1	66.8"
6		2	46.3"	16		6	52.7"
7		2	46.3"	17		4	38.6"
8		1	38"	18A		1	38.6"
9		1	38"	18B		1	38.6"


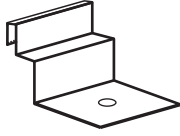
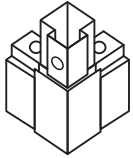

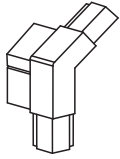

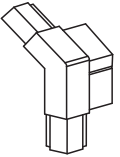

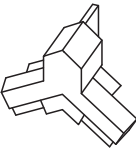

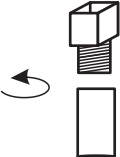



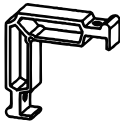





No.	Picture	Qty.	Size	No.	Picture	Qty.	Size
19		3	21.9"	27		2	24.5"
20		2	20.4"	28		1	22.5"
21		1	24.8"	29		8	50.9"
22		1	22.4"	31A		2	46"
23A		1	46.3"	31B		2	46"
23B		1	46.3"				
25		1	64.2"				
26		1	64.2"				

**Warning:**










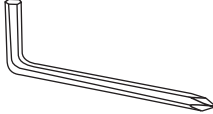


If the aluminum part curved as below pic, pls use the wrench to restore it.

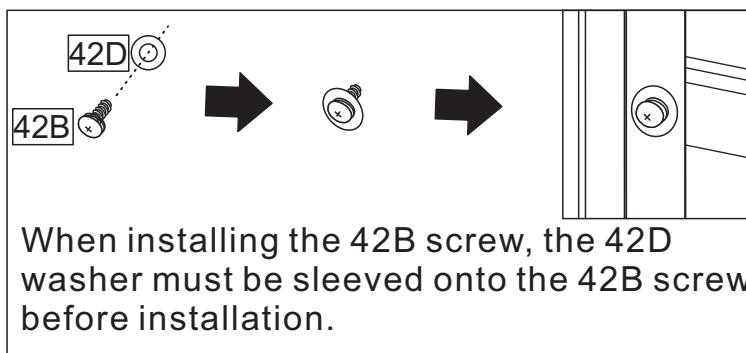


# Plastic Parts:

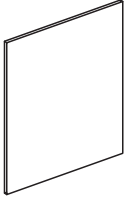
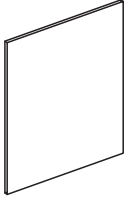
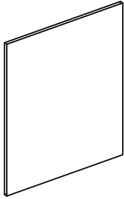
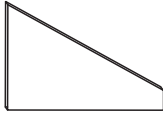
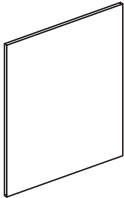
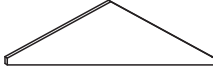
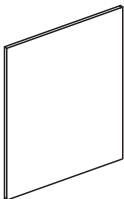
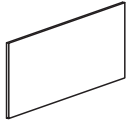


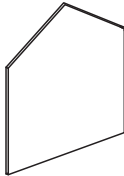
No.	Picture	Qty.		No.	Picture	Qty.	
32A		2		48		4	
32B		2		51		4	
33A		2		62-1		1	
33B		2		62-2		1	
34		2		62-3		3	
35		4		62-4		1	
35A		2		62-5		1	
40		4		62-6		1	
42C	<p>42C# screw pre-installed on 40# accessory.</p>  	8	M4x0.47"	63		2	
						2	

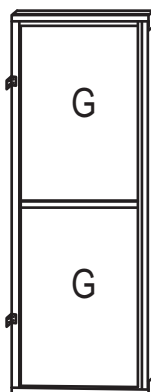
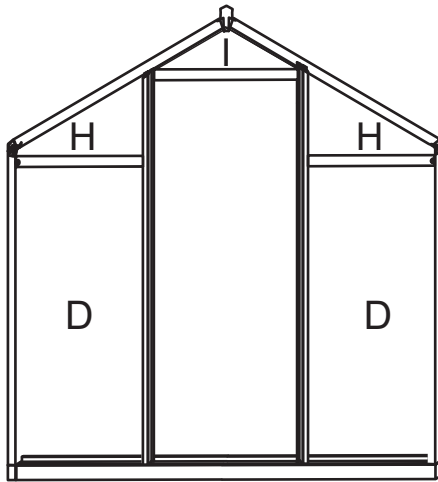
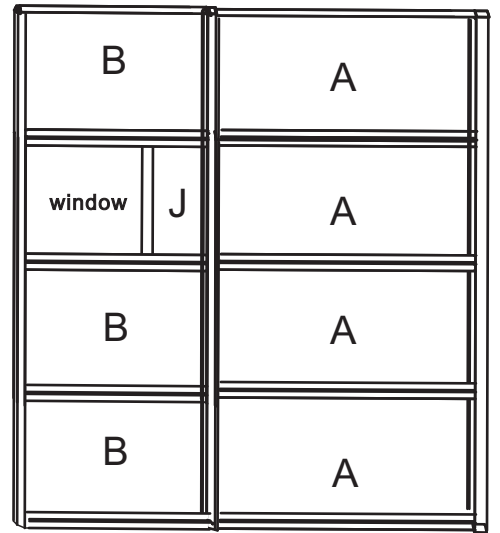
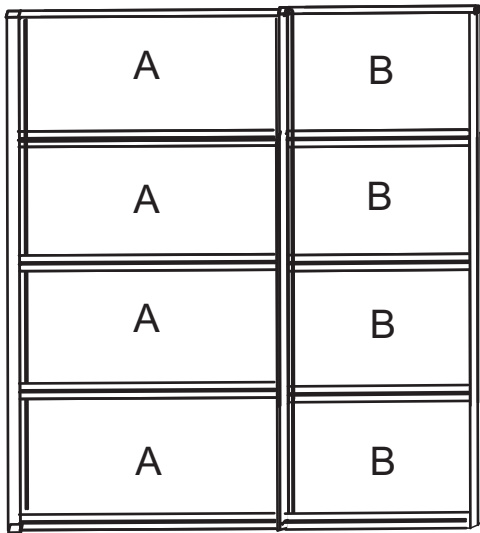
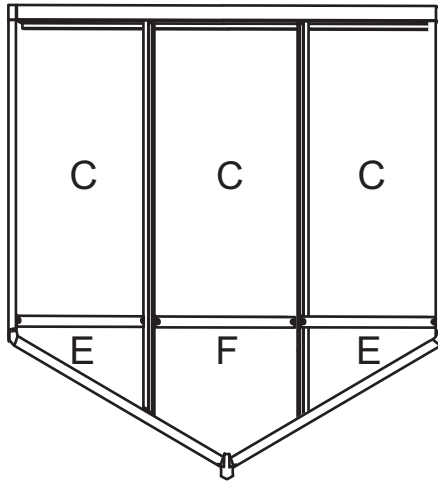
## Hardware :

No.	Picture	Qty.	Size	No.	Picture	Qty.	Size
41		12	M6*0.35"	43		2	M4x0.43"
41A		12	M6	60		2	M4x0.63"
42		44	M6x0.47"	61		2	M4x0.98"
42A		2	M4x0.35"			1	
42B		52	M4x0.47"			1	M6
42D	 washer	52	M4			1	M4

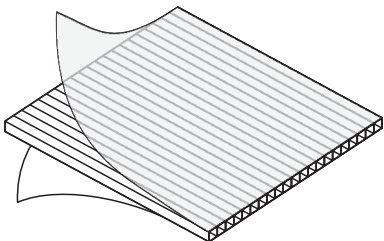


## Twin PC Board:

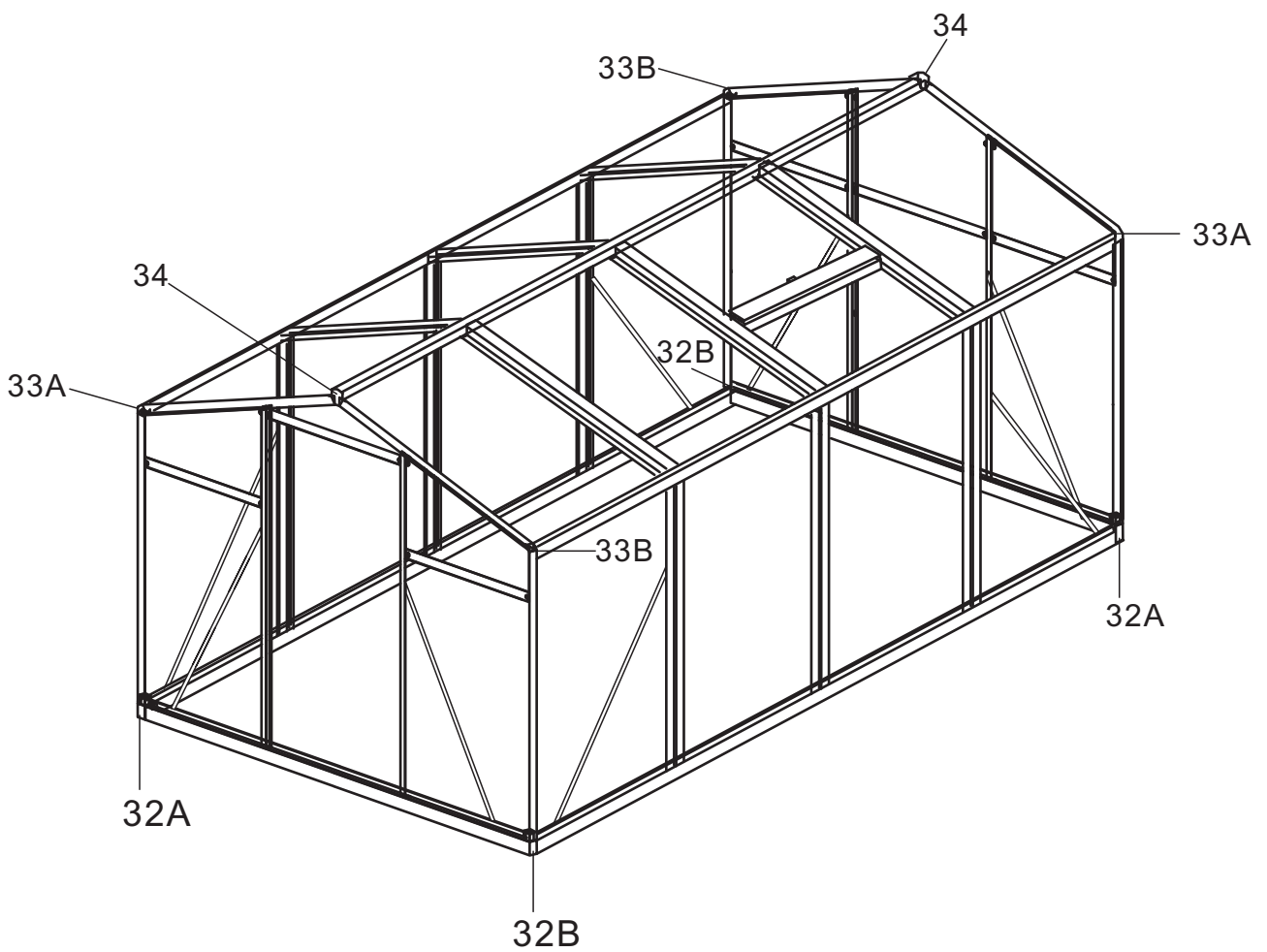
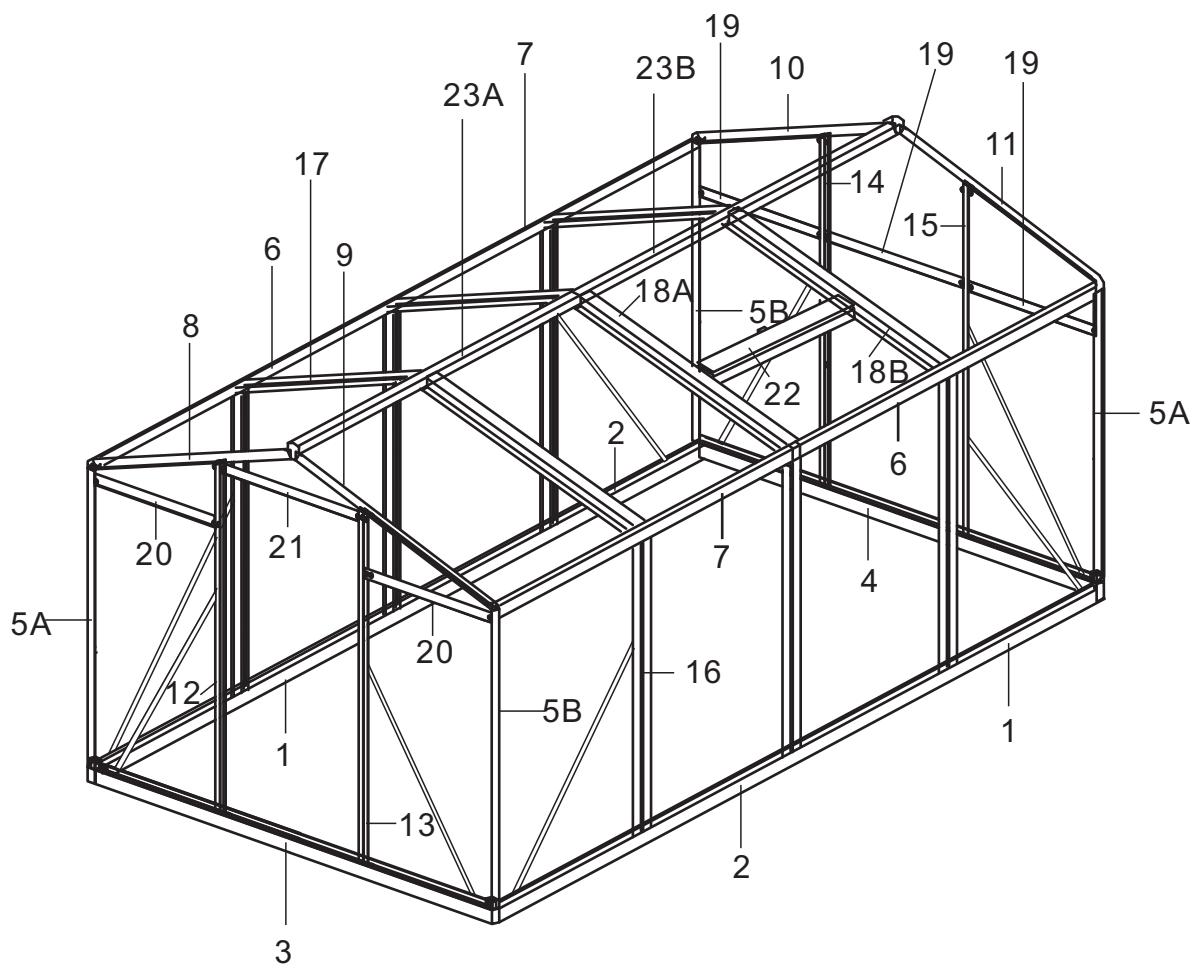
No.	Picture	Qty.	Size	No.	Picture	Qty.	Size
A		8	54.3"x23"	G		2	31.2"x23.1"
B		7	39.1"x23"	H		2	13.6"x21.1" x1.3"
C		3	52.4"x22.6"	I		1	8.4"x24.8"x 1.3"
D		2	52.4"x22.6"	J		1	14.8"x23"
E		2	14.4"x22.6" x1.3"	30		1	22.8"x22.8"
F		1	14.5"x22. 6"x21"				



Pull off film on both sides before installation.

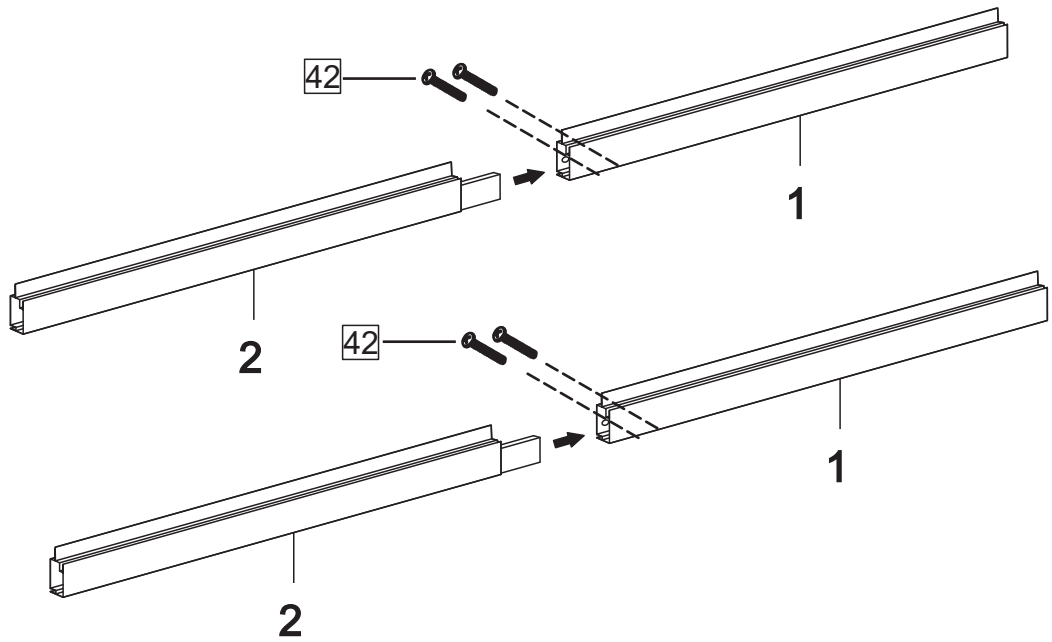


The white film faces outward.



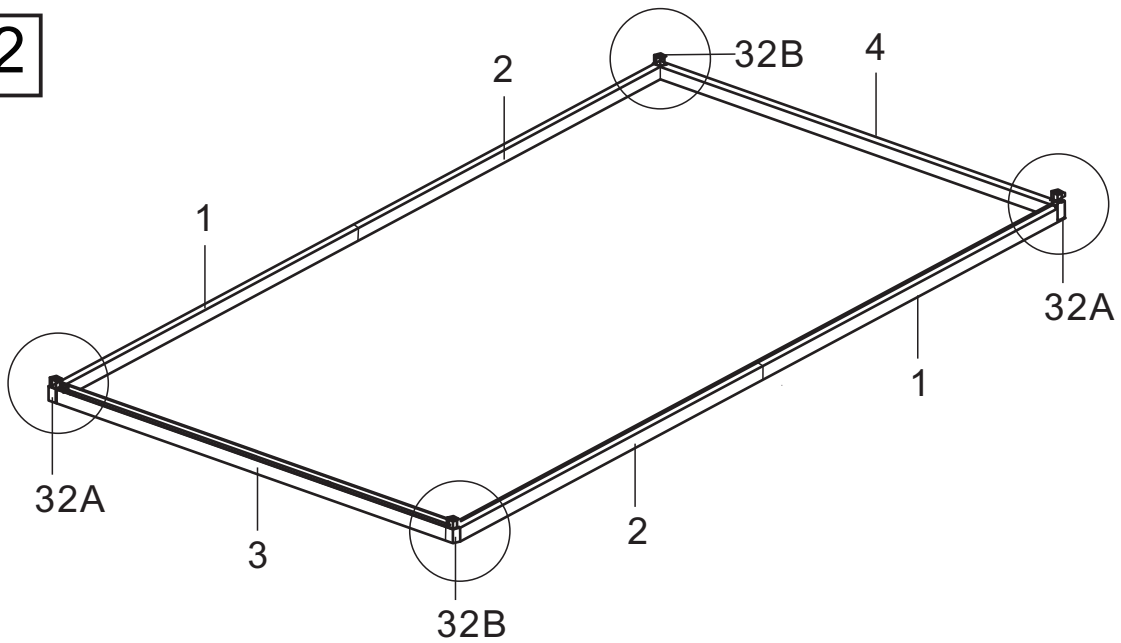
# Foundations

## Step 1



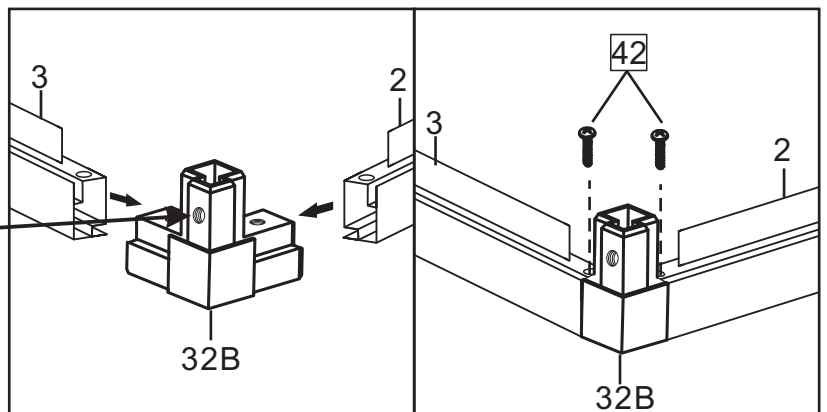
Picture	NO.	Qty.
	1	2
	2	2
	42	4

## Step 2



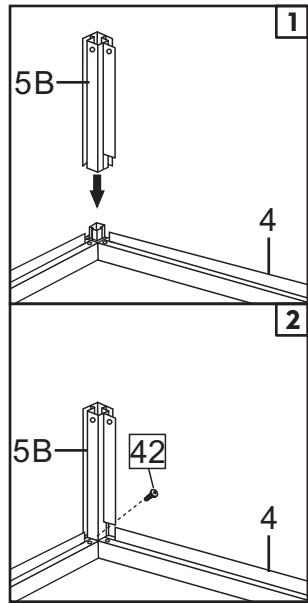
Picture	NO.	Qty.
	3	1
	4	1
	32A	2
	32B	2
	42	8

pay attention to the orientation of the hole position.

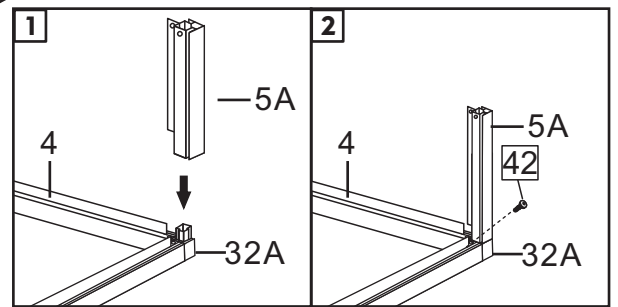
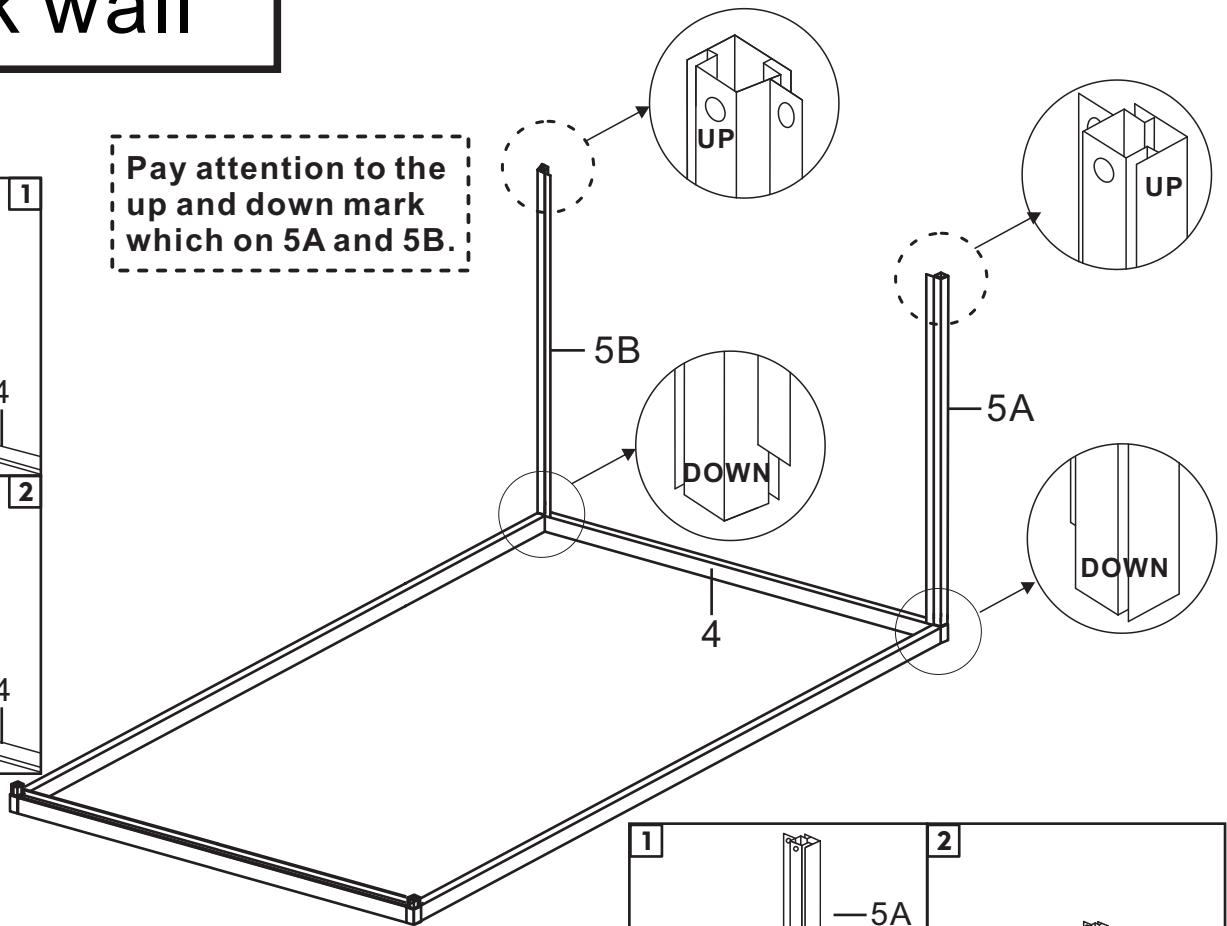


# Back wall

## Step 3

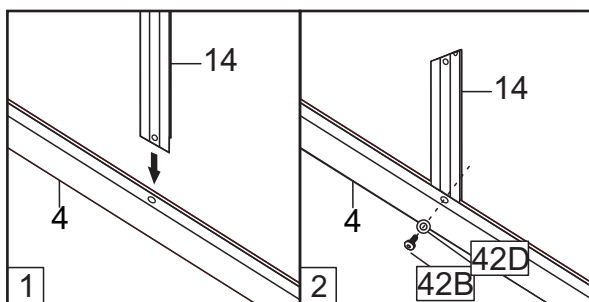


Pay attention to the up and down mark which on 5A and 5B.

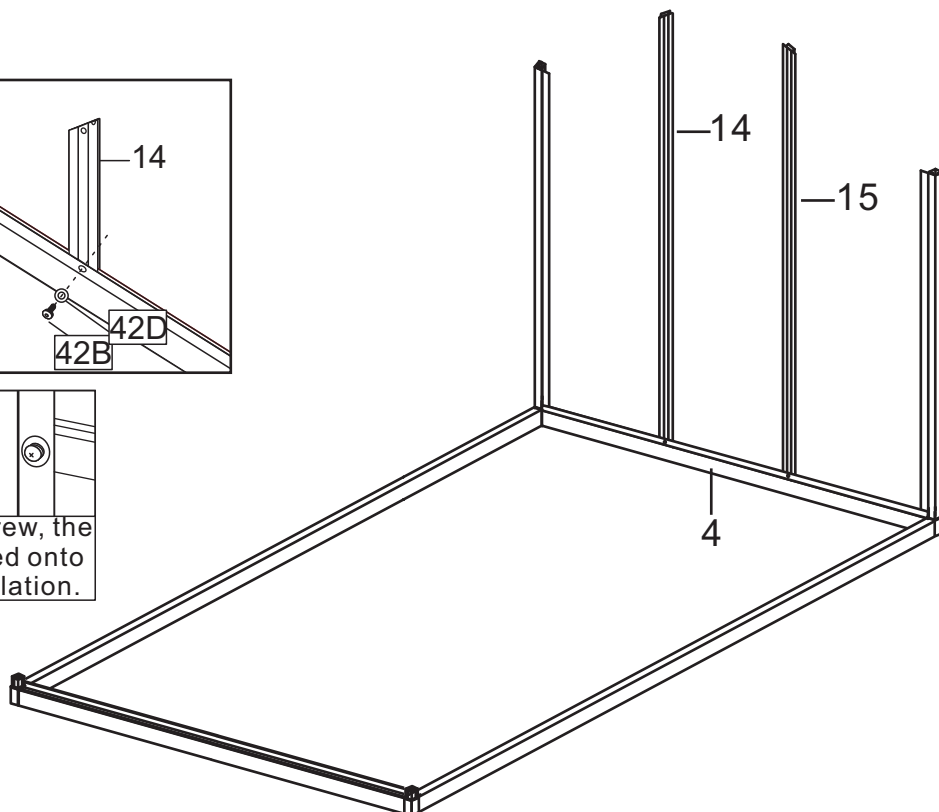


Picture	NO.	Qty.
	5A	1
	5B	1
	42	2

## Step 4

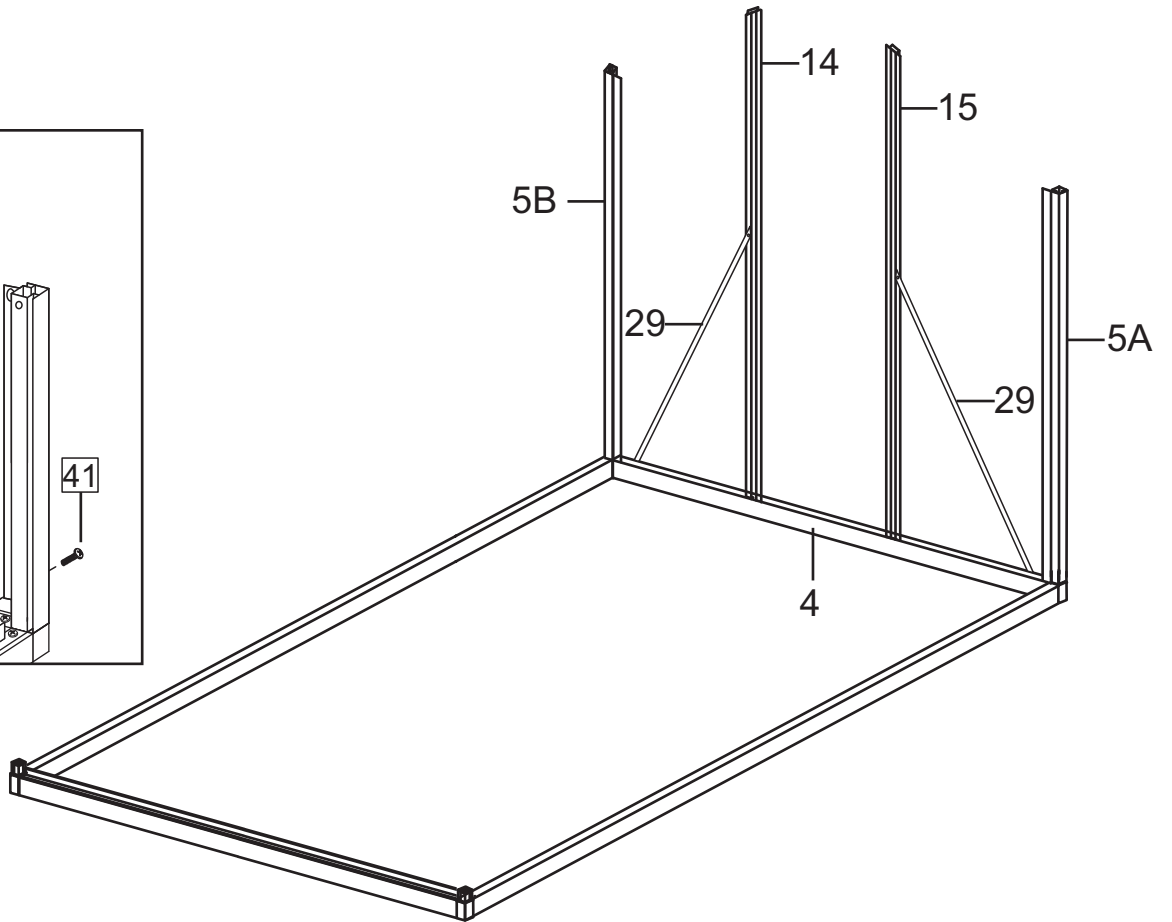
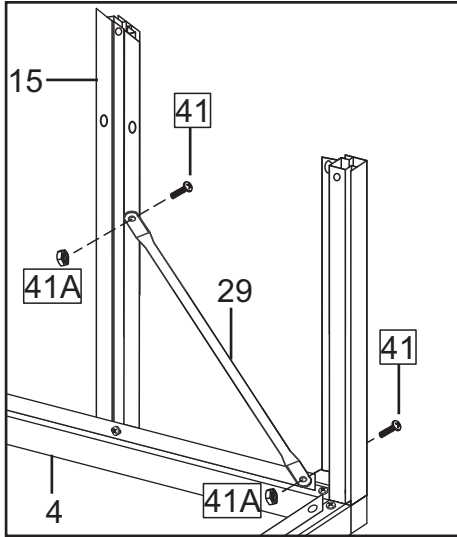


When installing the 42B screw, the 42D washer must be sleeved onto the 42B screw before installation.



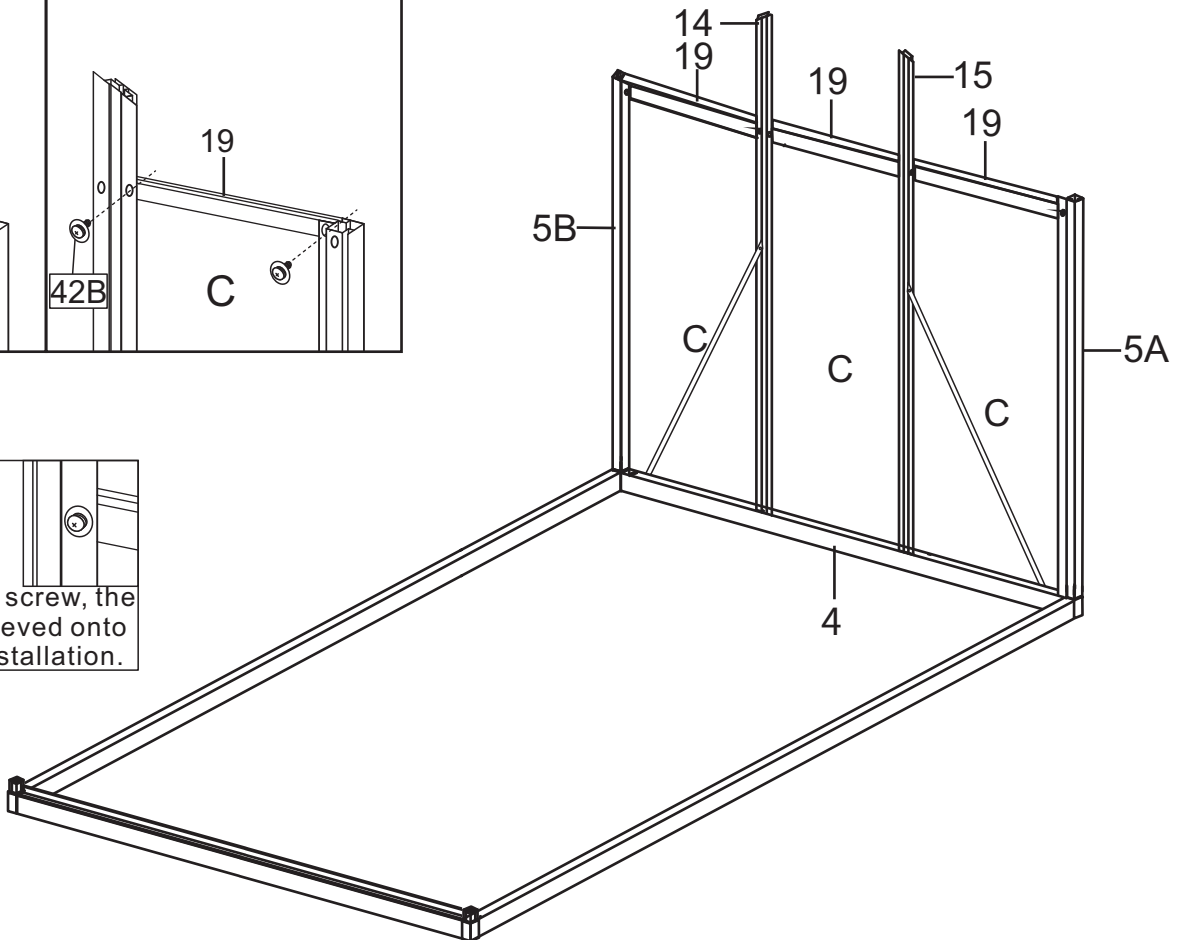
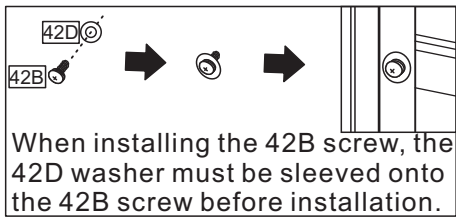
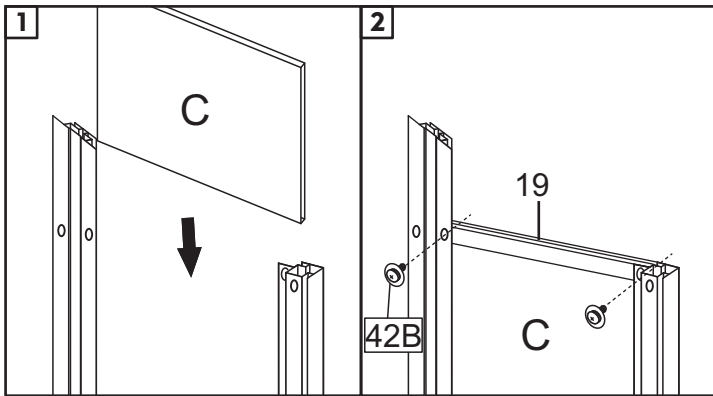
Picture	NO.	Qty.
	14	1
	15	
	42B	2
	42D	2

# Step 5



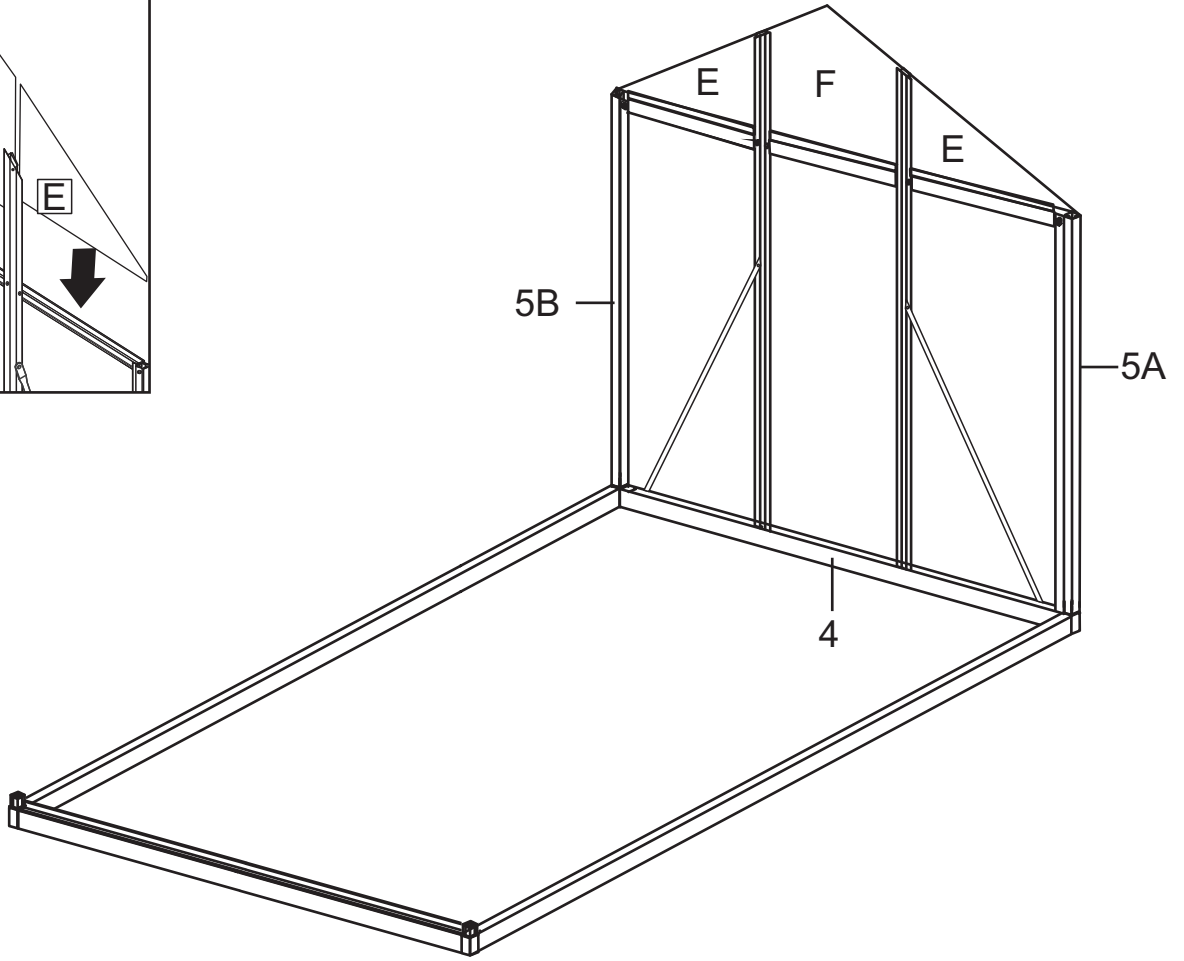
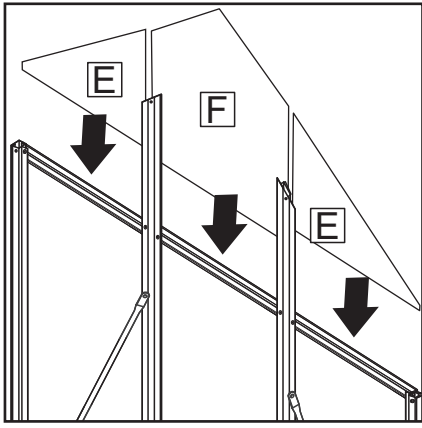
Picture	NO.	Qty.
	29	2
	41	4
	41A	4

# Step 6



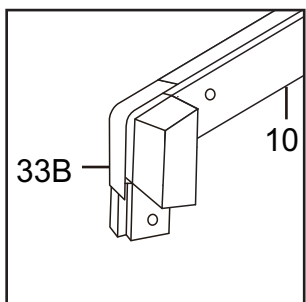
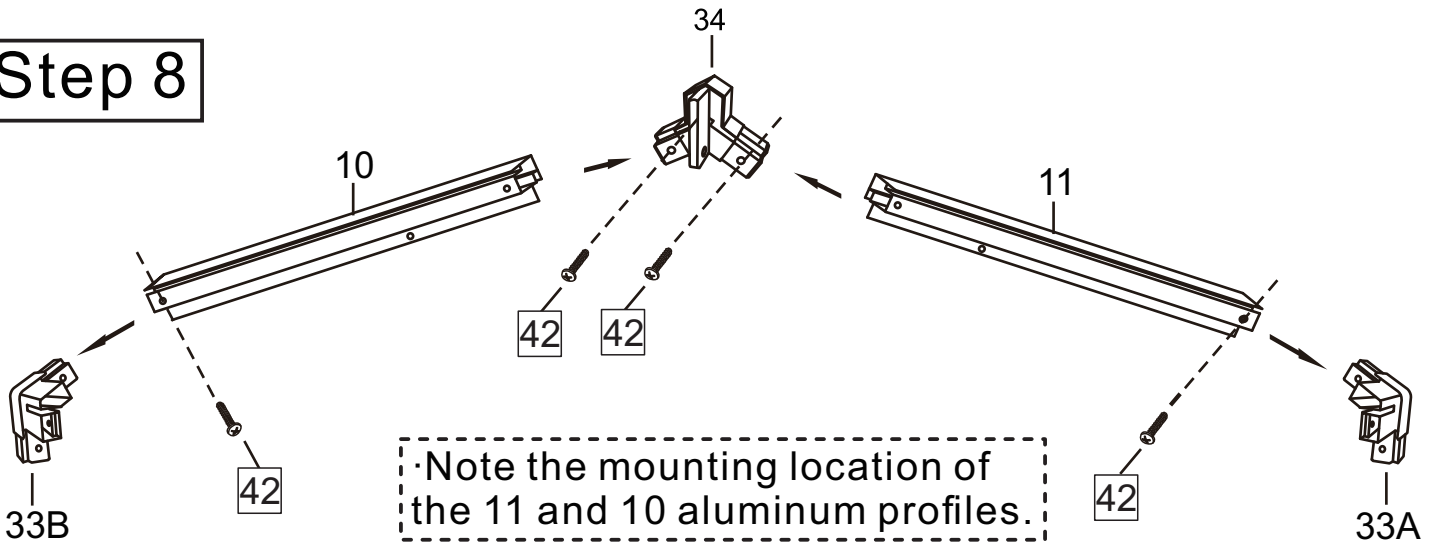
Picture	NO.	Qty.
	19	3
	42B	6
	42D	6
	C	3

# Step 7

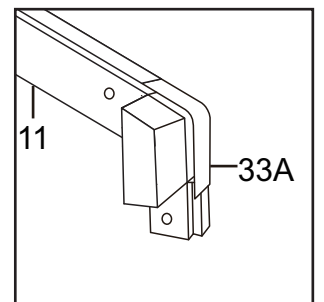


Picture	NO.	Qty.
	F	1
	E	2

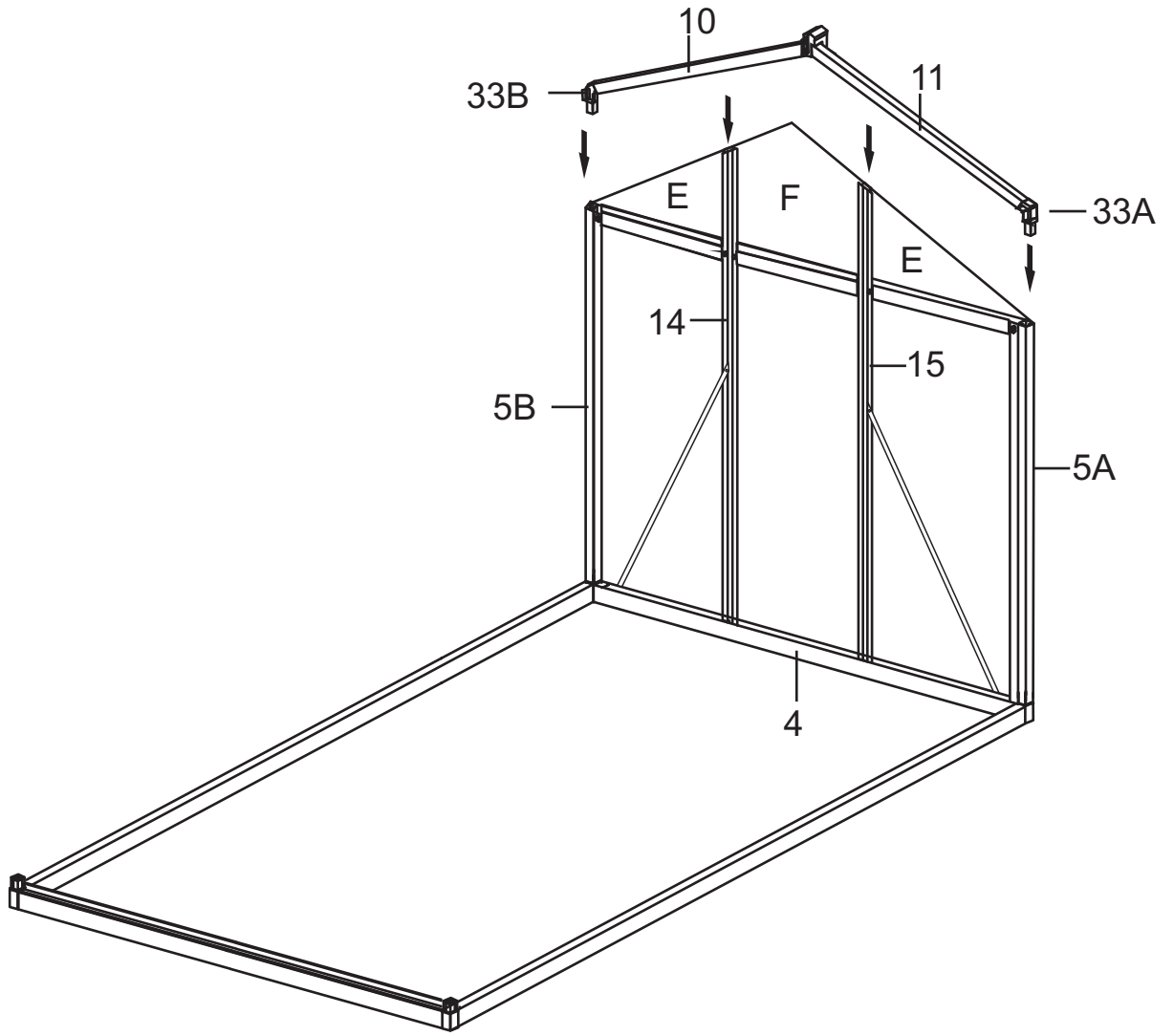
# Step 8



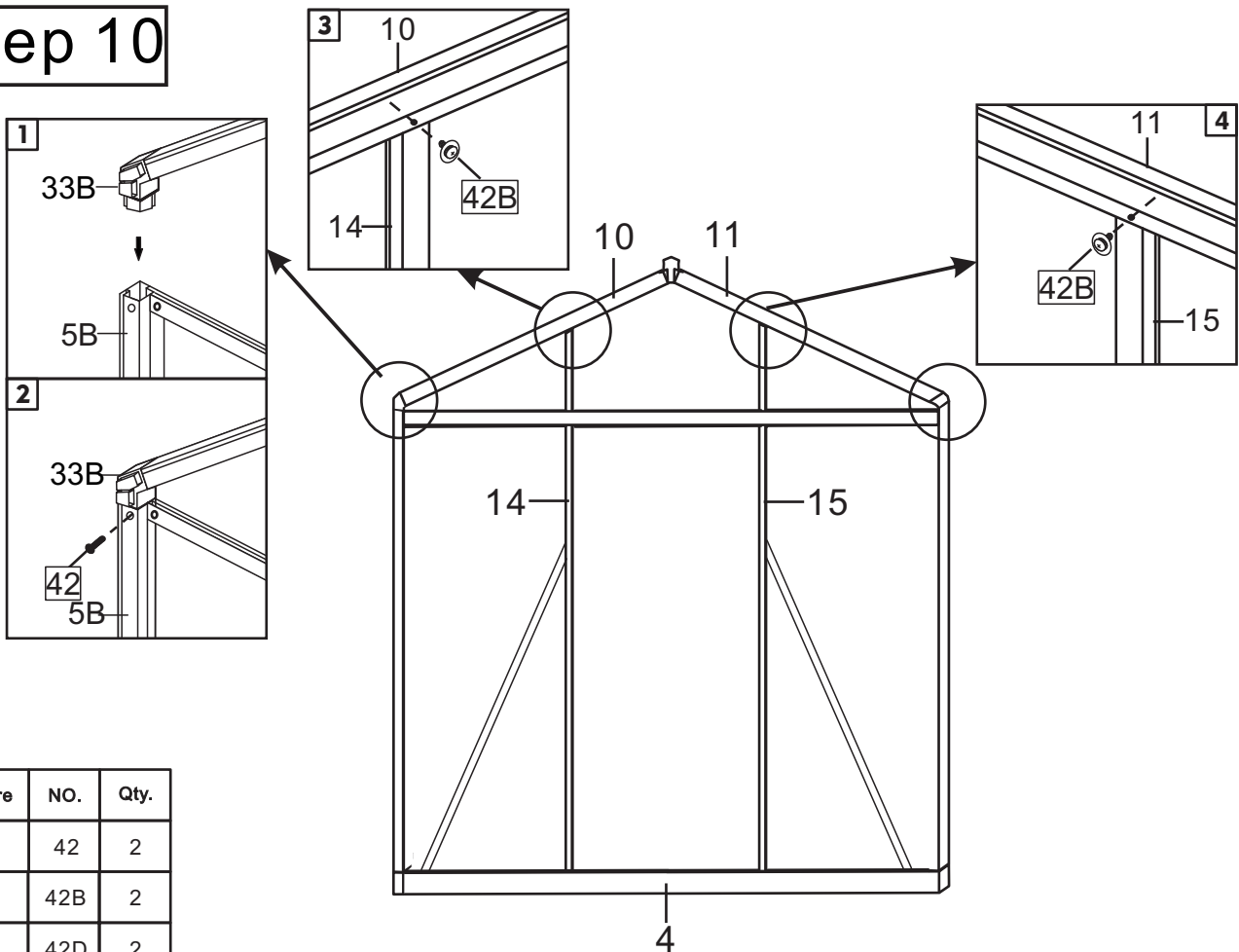
Picture	NO.	Qty.
	10	1
	11	1
	34	1
	33A	1
	33B	1
	42	4






# Step 9



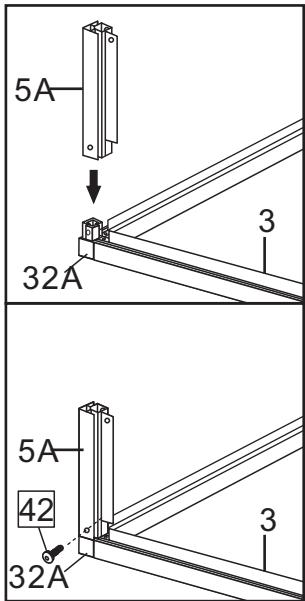
# Step 10



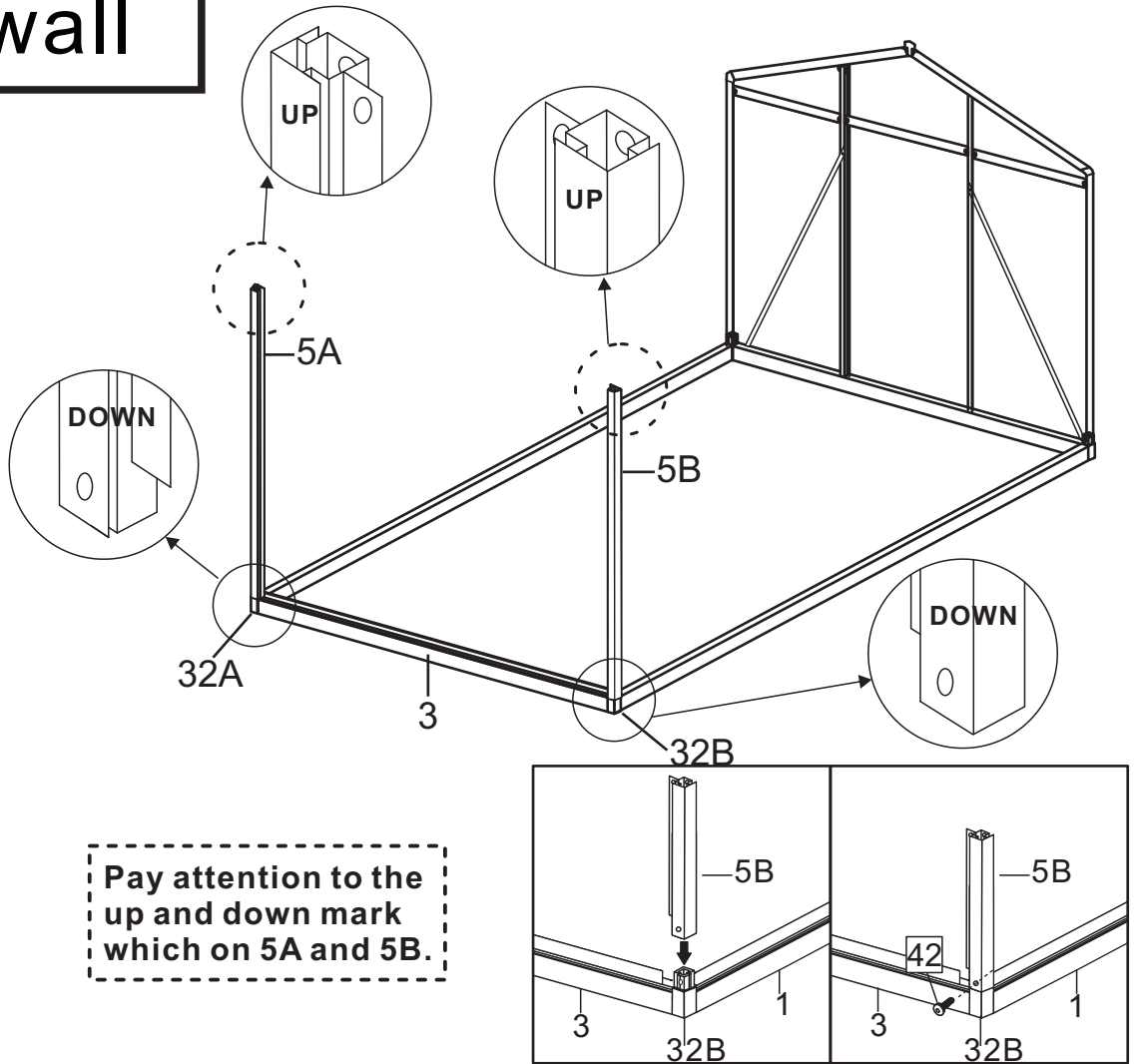
Picture	NO.	Qty.
	42	2
	42B	2
	42D	2

# Front wall

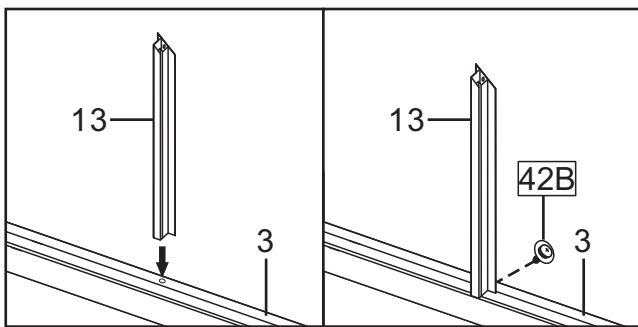
## Step 11



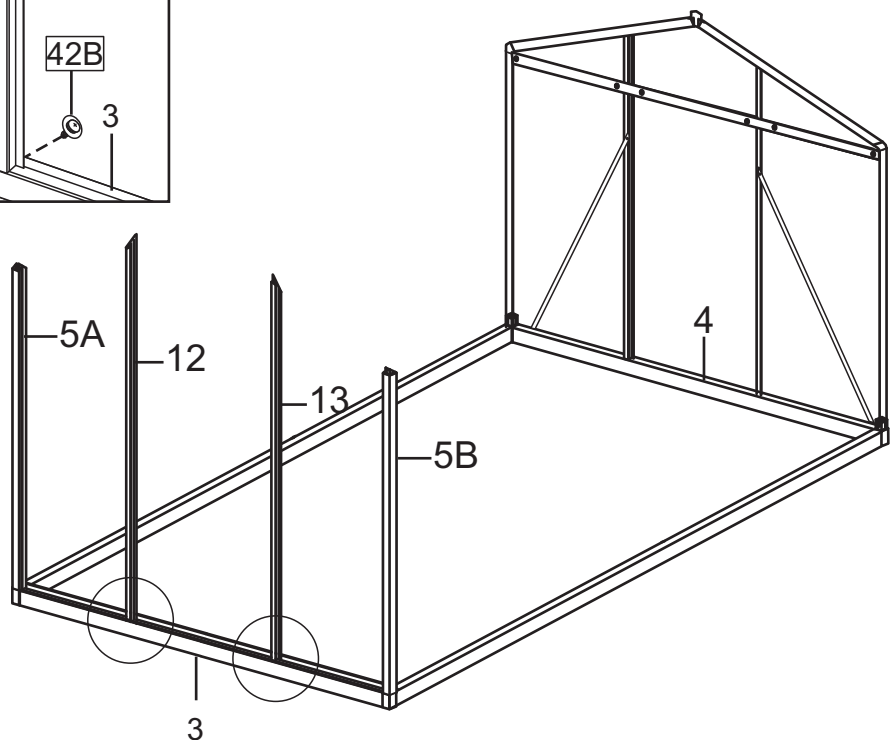
Picture	NO.	Qty.
	5A	1
	5B	1
	42	2



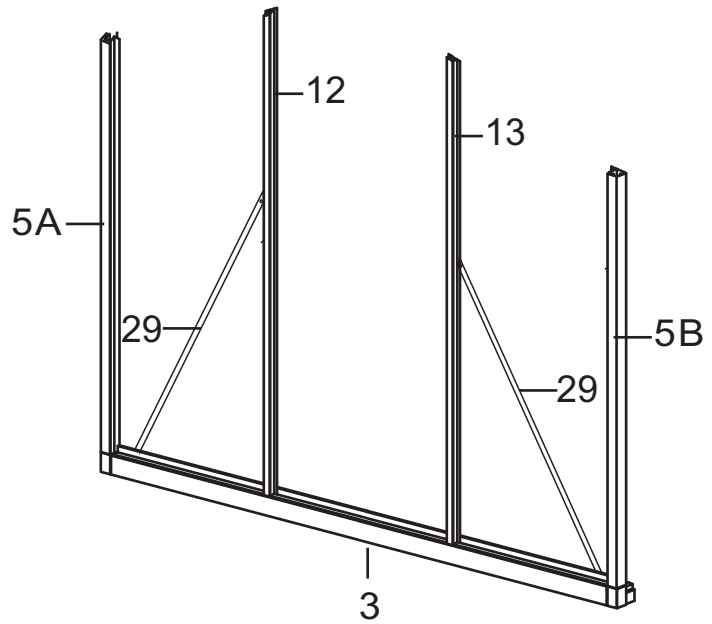
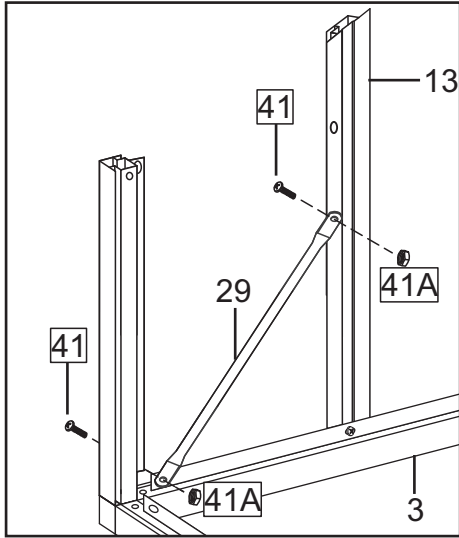
## Step 12



Picture	NO.	Qty.
	12	1
	13	1
	42B	2
	42D	2

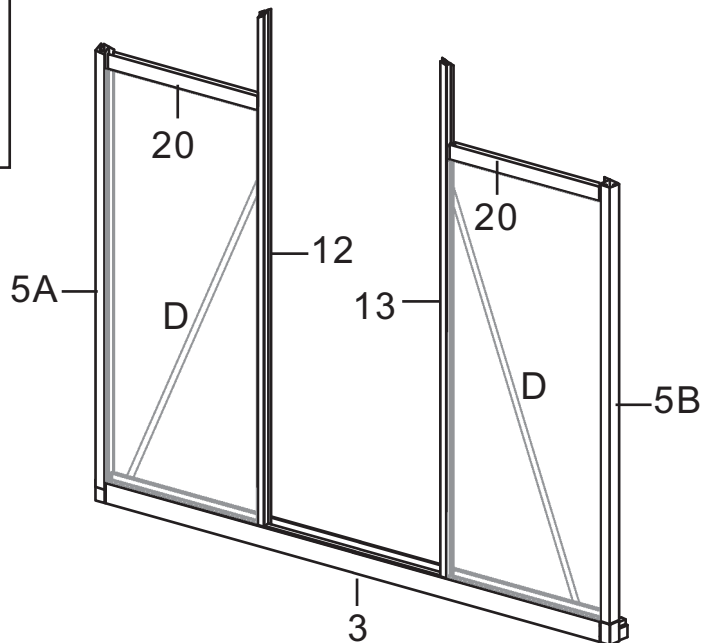
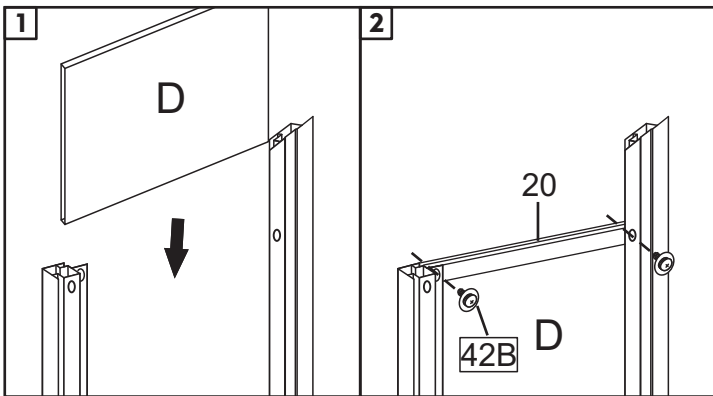


# Step 13



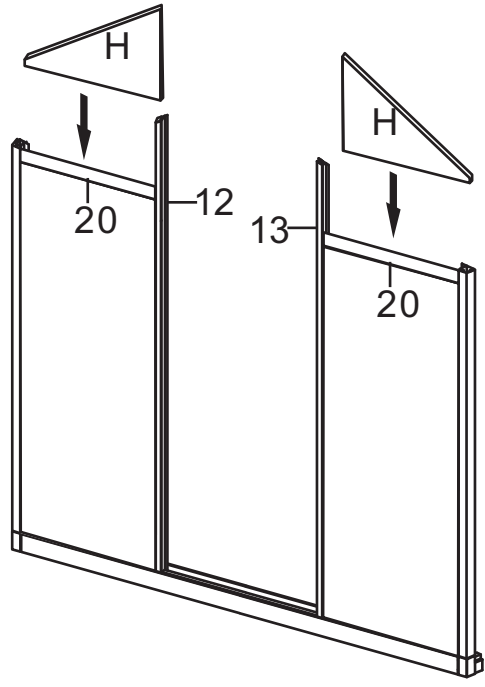
Picture	NO.	Qty.
	29	2
	41	4
	41A	4

# Step 14



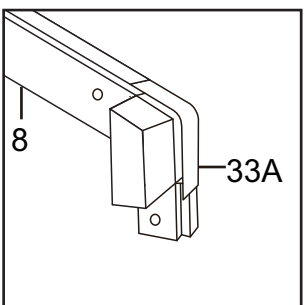
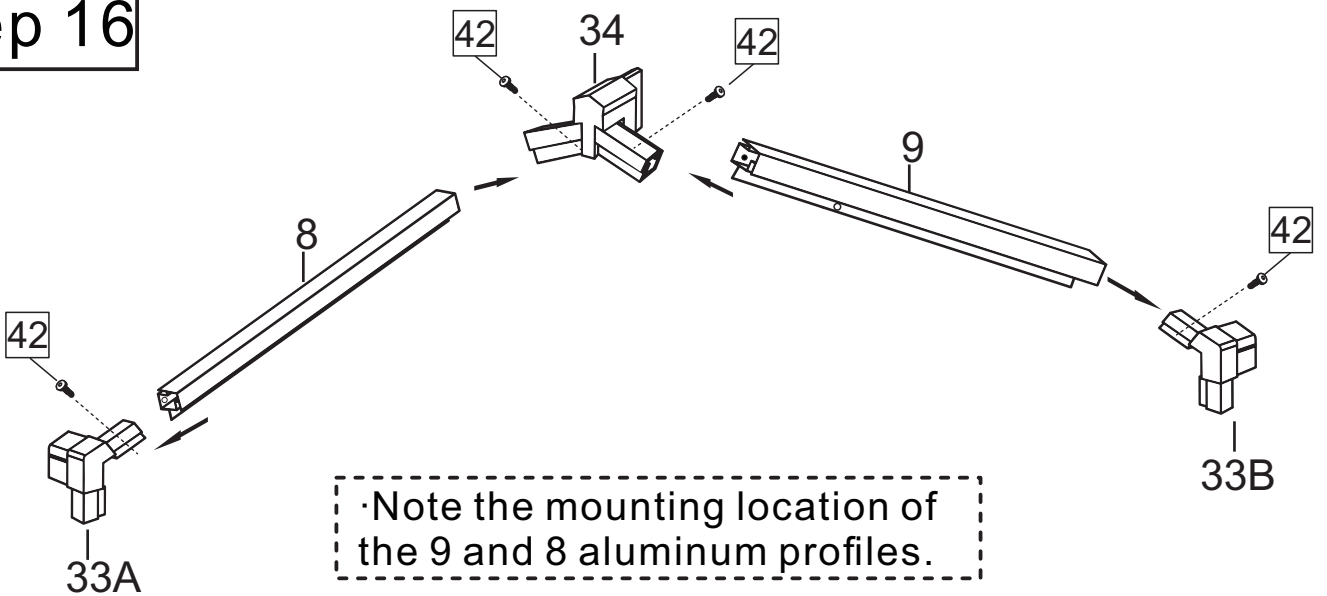
Picture	NO.	Qty.
	20	2
	42B	4
	42D	4
	D	2

# Step 15

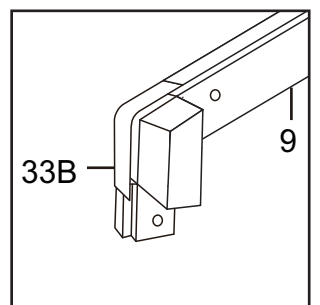


Picture	NO.	Qty.
	H	2

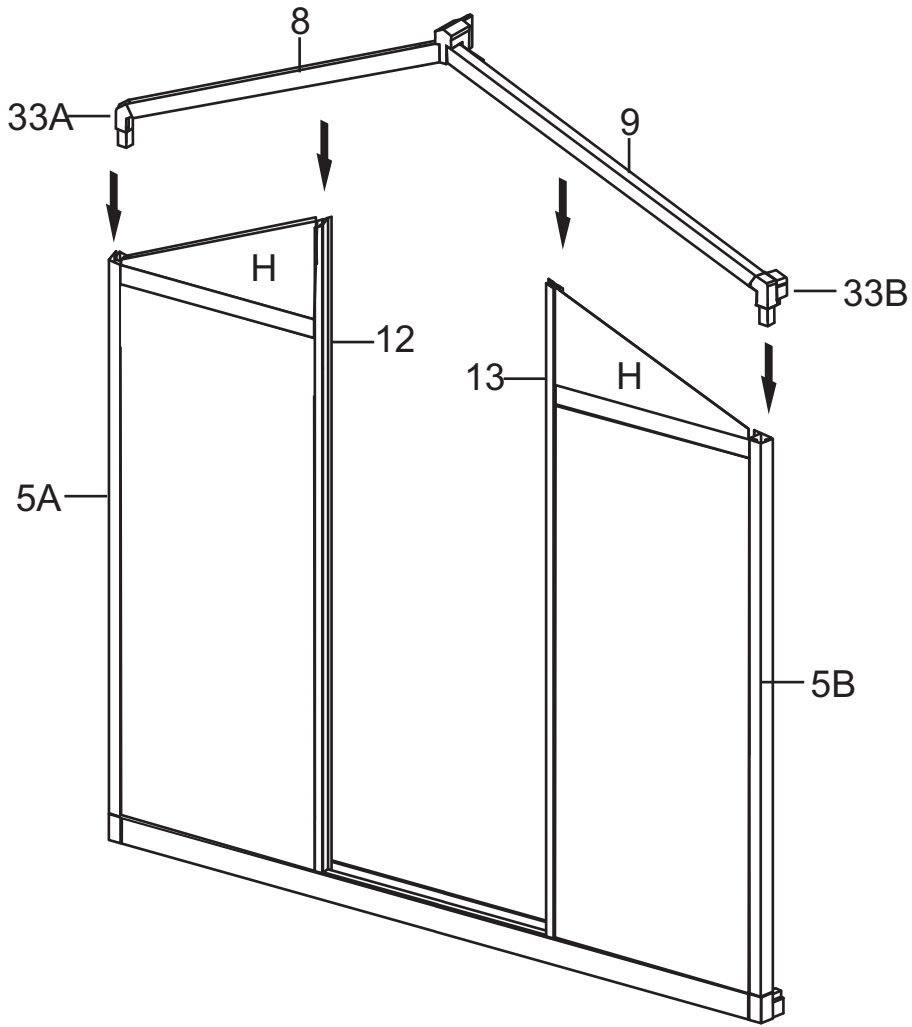
# Step 16



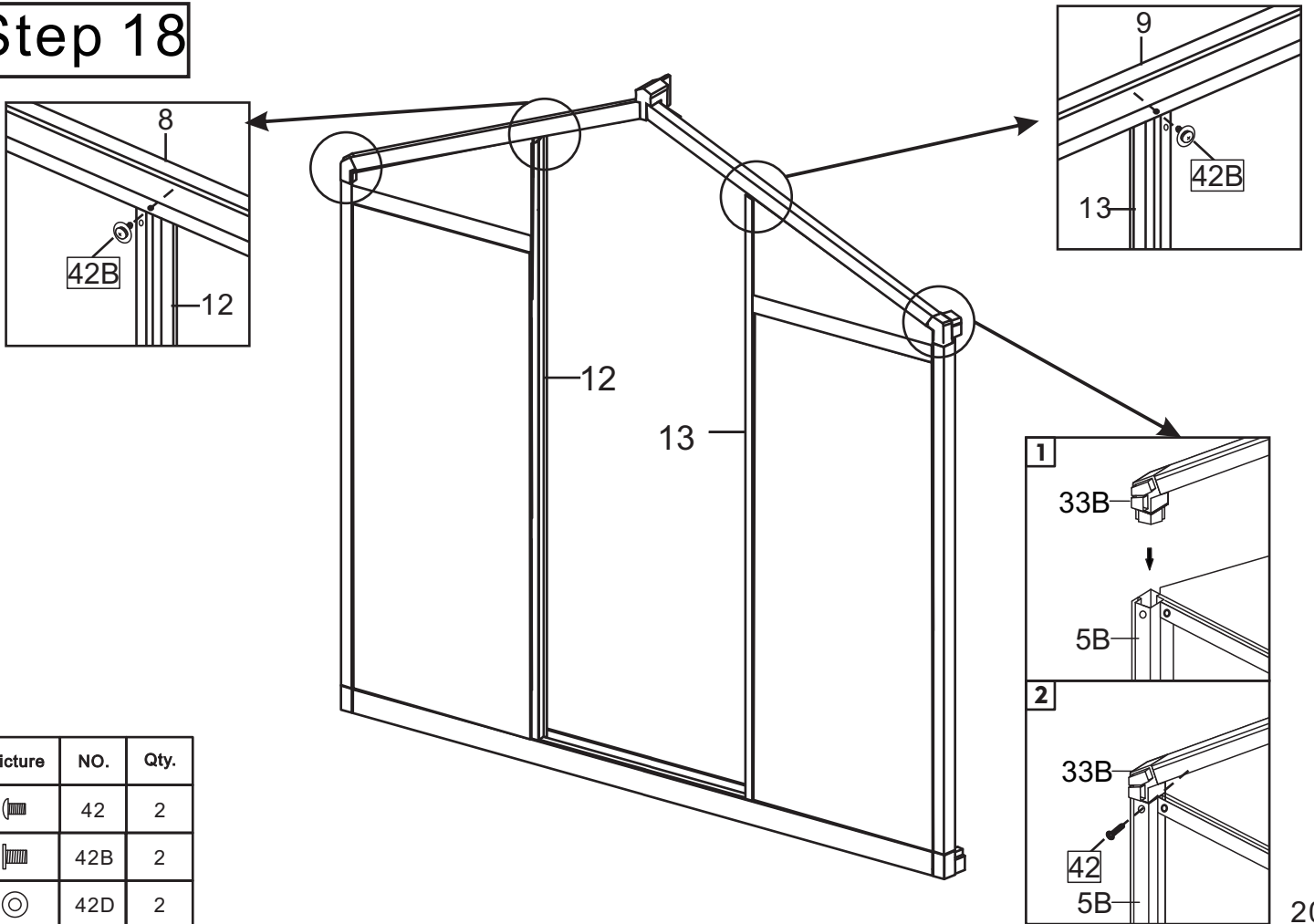
Picture	NO.	Qty.
	8	1
	9	1
	34	1
	33A	1
	33B	1
	42	4



# Step 17

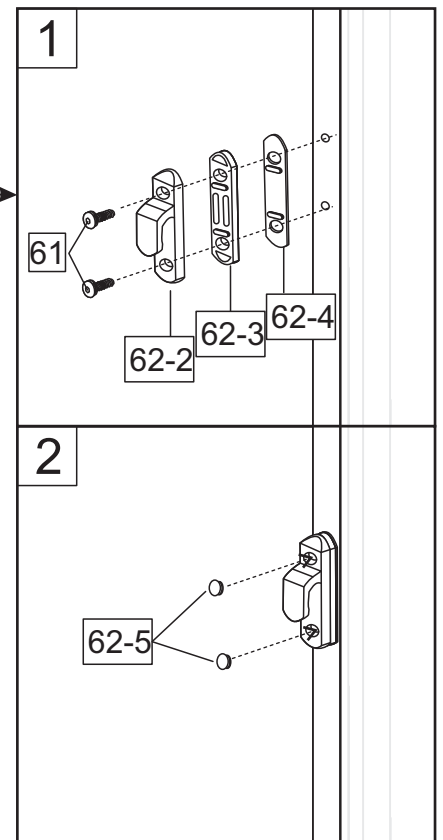
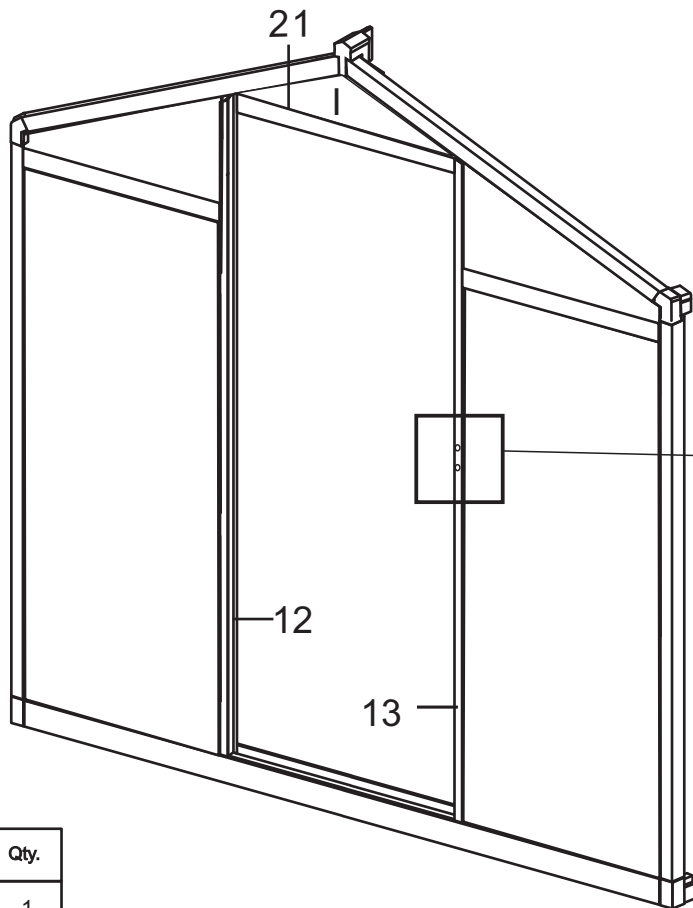
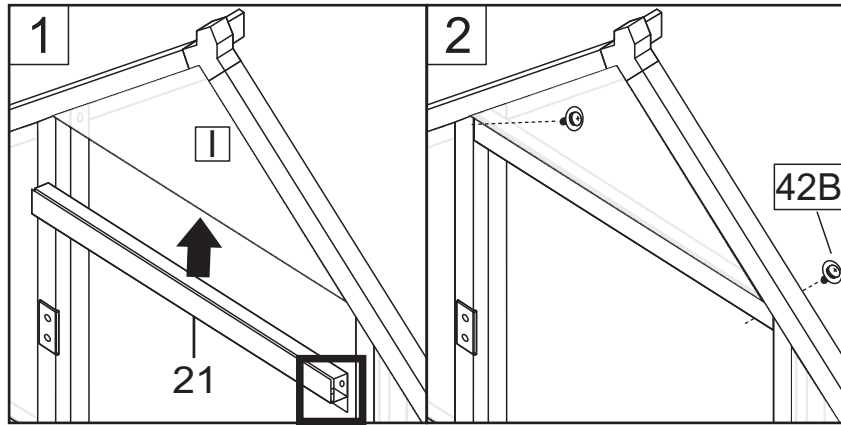


# Step 18



Picture	NO.	Qty.
	42	2
	42B	2
	42D	2

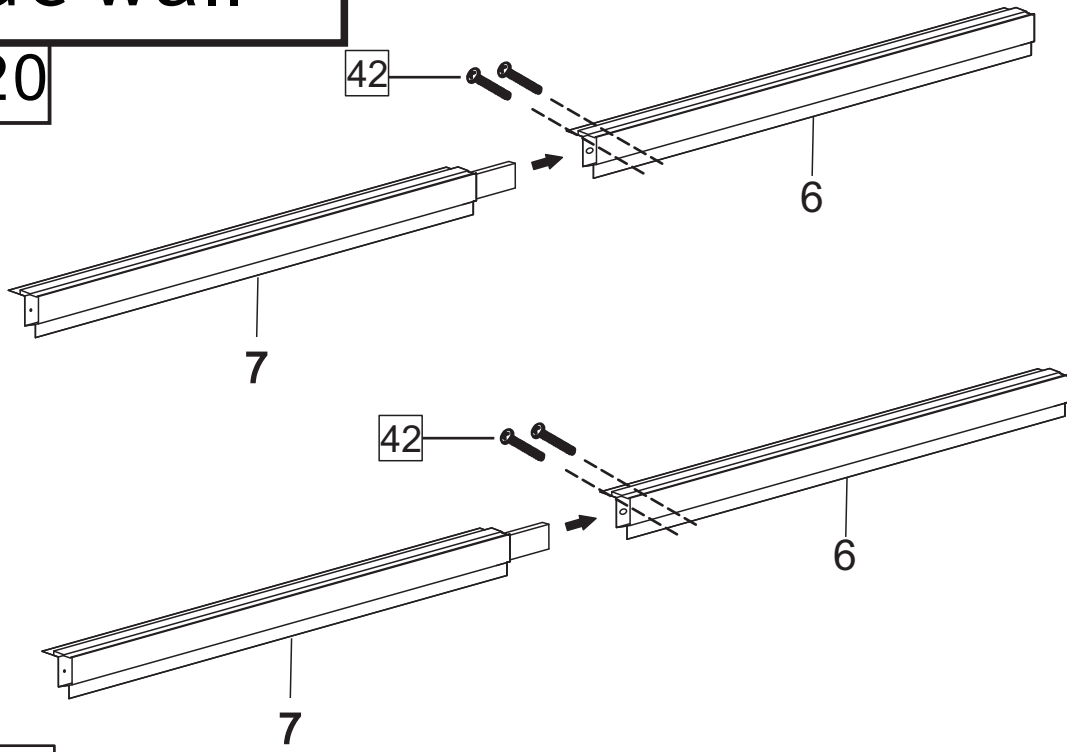
# Step 19






Picture	NO.	Qty.
	21	1
	42B	2
	42D	2
	I	1
	62-2	1
	62-3	1
	62-4	1
	62-5	1
	61	2

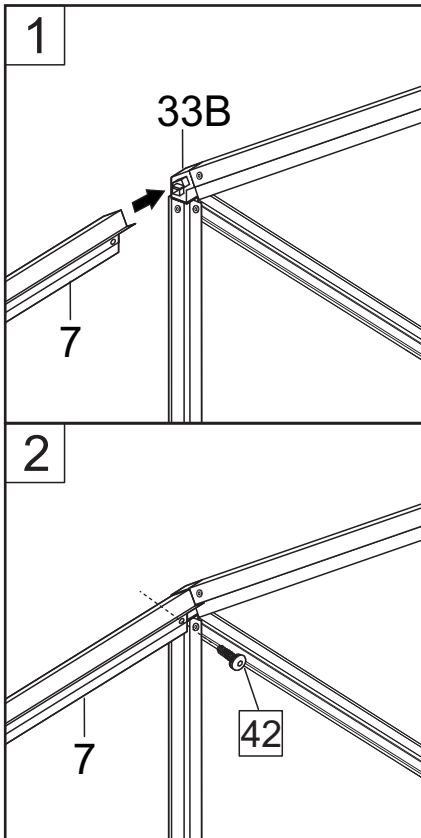
# Side wall


## Step 20

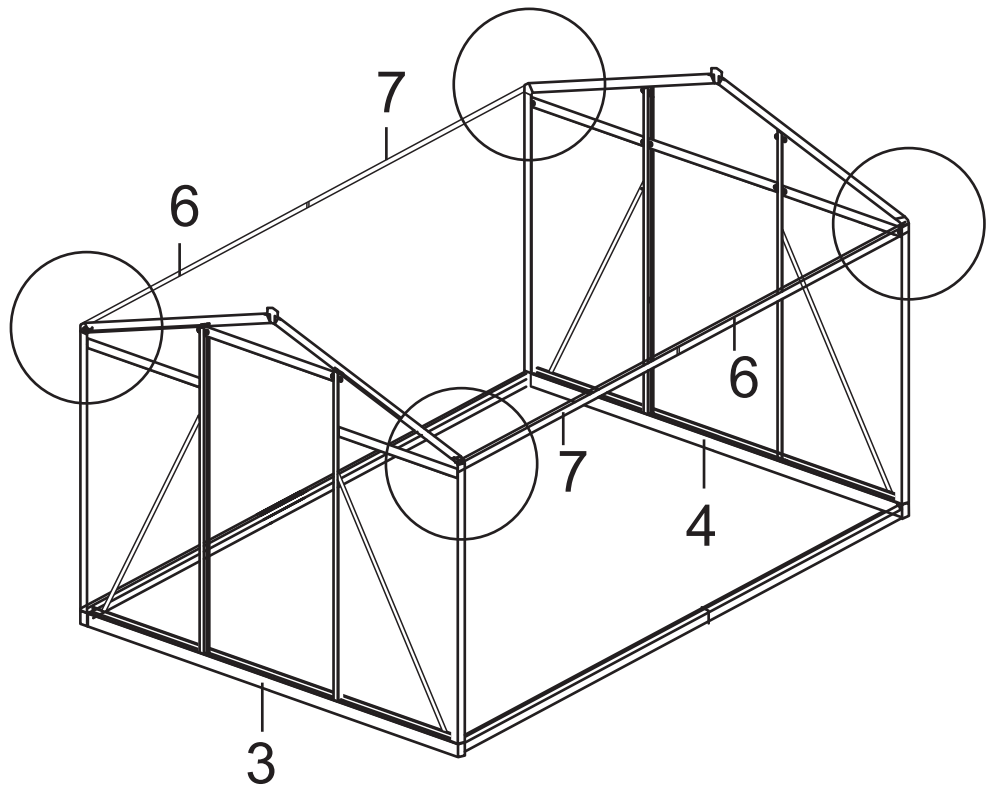


Picture	NO.	Qty.
	6	2
	7	2
	42	4

## Step 21

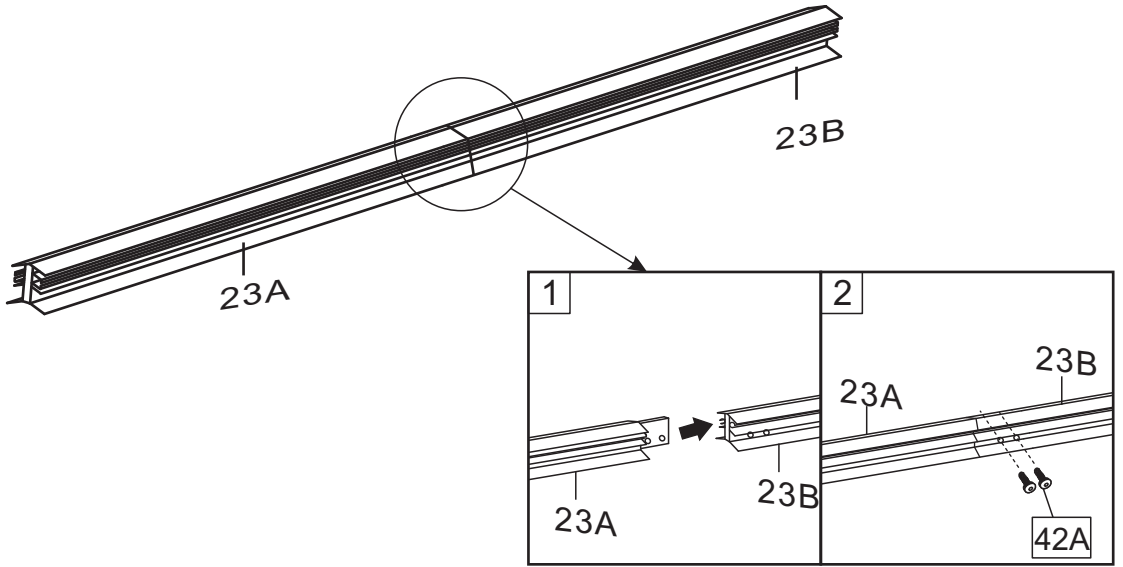


Picture	NO.	Qty.
	42	4



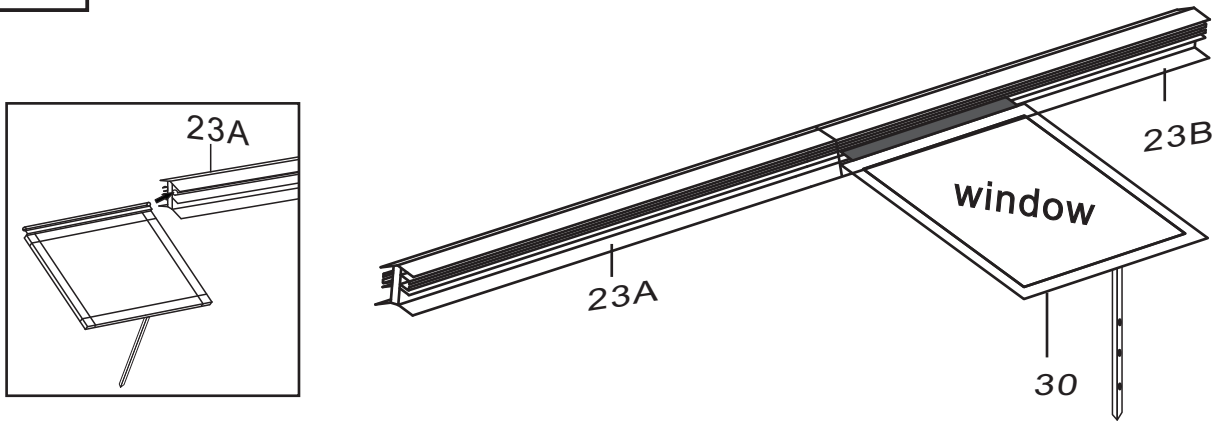
# Top

## Step 22



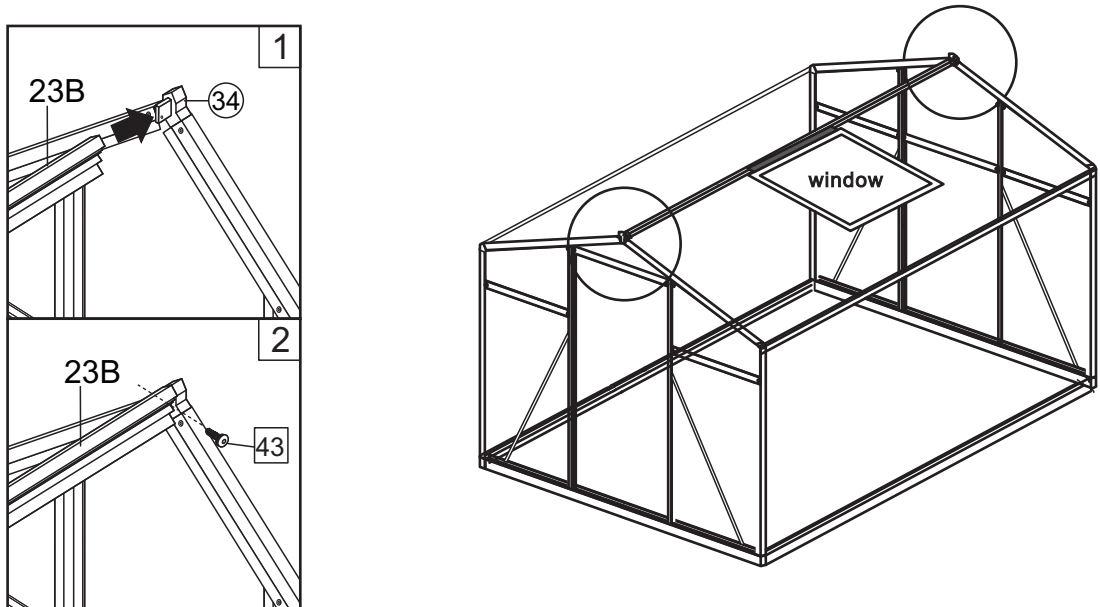
Picture	NO.	Qty.
	23A	1
	23B	1
	42A	2

## Step 23



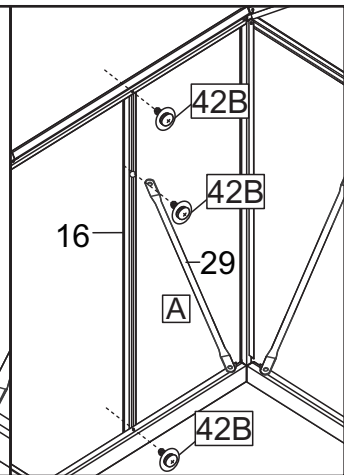
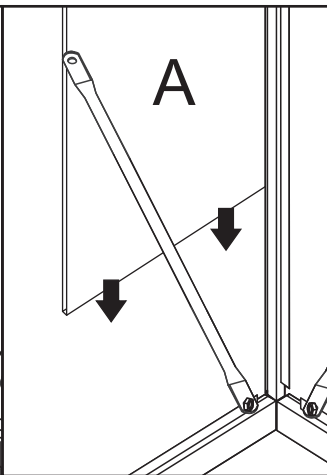
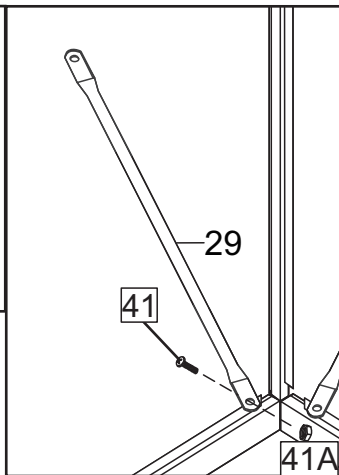
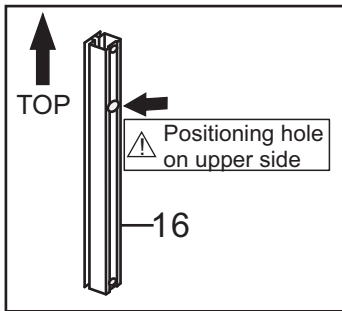
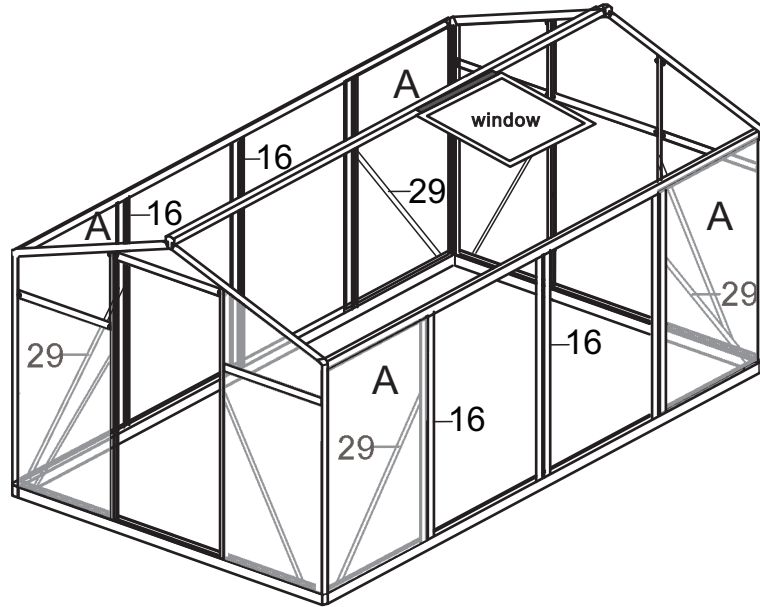
Picture	NO.	Qty.
	30	1

## Step 24



Picture	NO.	Qty.
	43	2

# Step 25



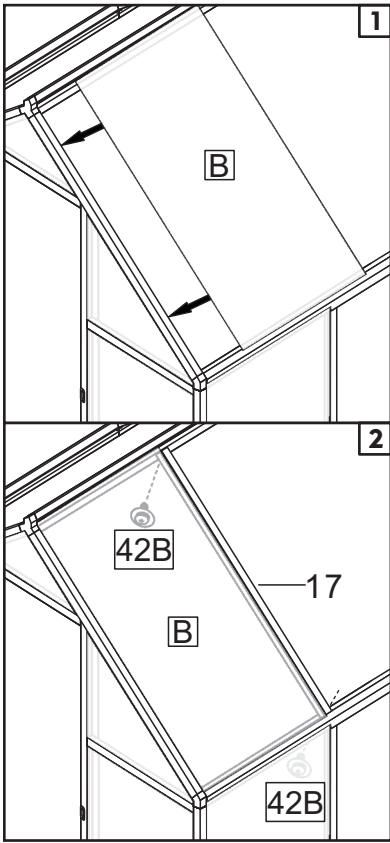
1. Secure the No.29 reinforcement part to the base with No.41 screws and No.41A nuts.


2. Align and insert Panel A into the aluminum alloy slot.

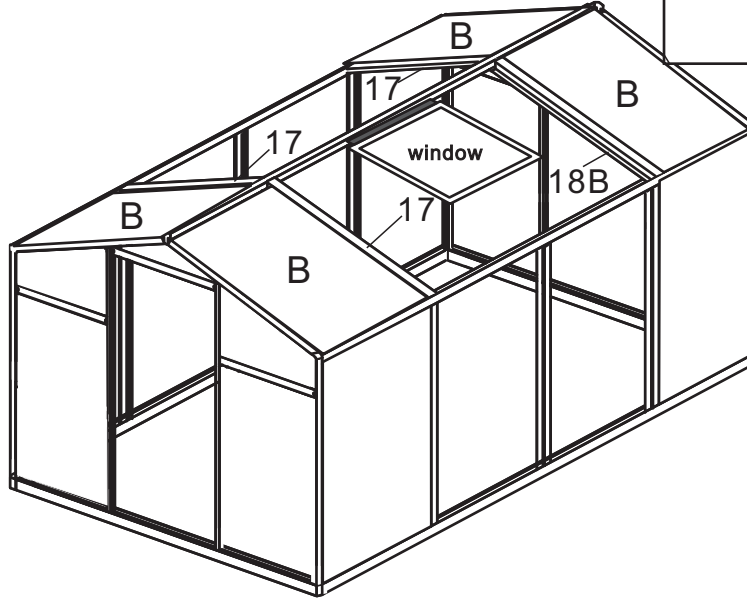
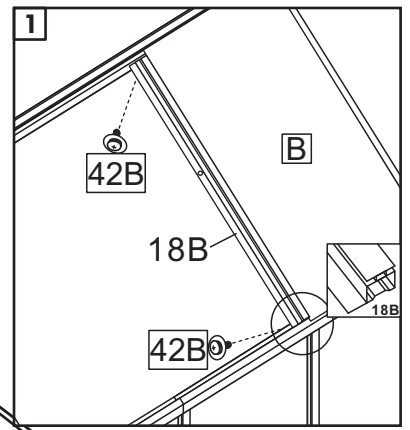
3. Insert the No.16 aluminum alloy slot into Panel A and secure with No.42B screws. Connect the No.29 reinforcement bracket to the No.16 aluminum profile using No.42B screws.






Picture	NO.	Qty.
	16	6
	29	4
	41	4
	41A	4
	42B	16
	42D	16
	A	4

# Step 26

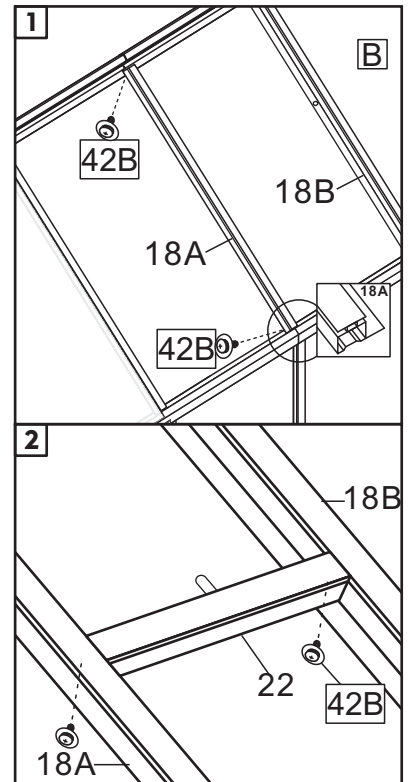
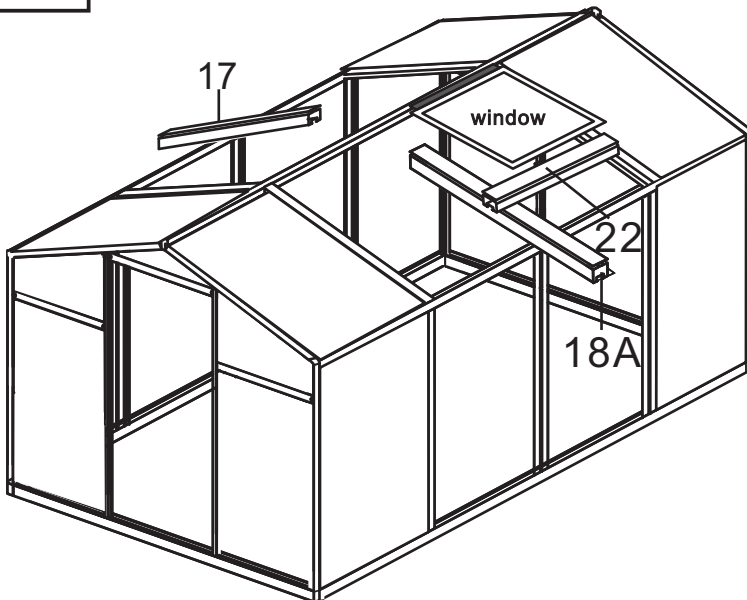







 Tighten all screws only after all sunlight panels are properly installed and aligned.



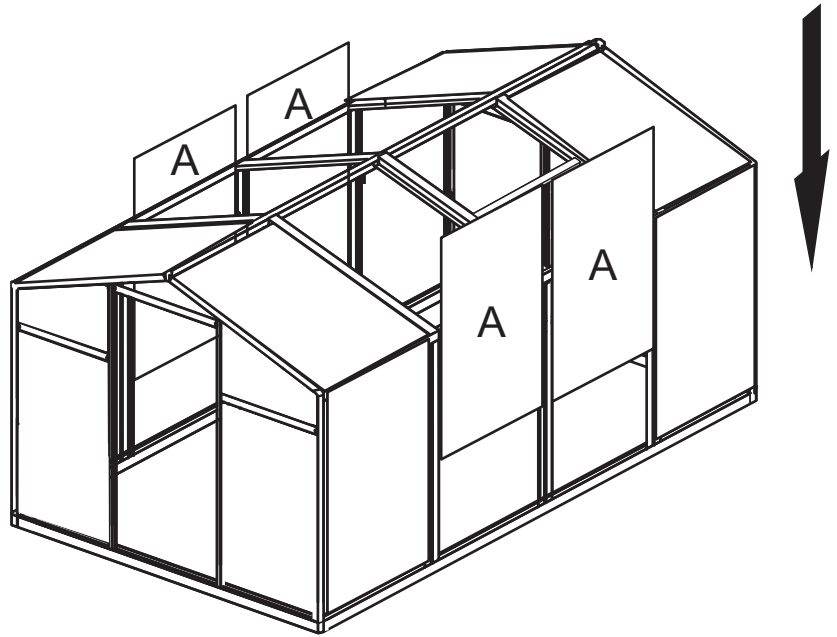
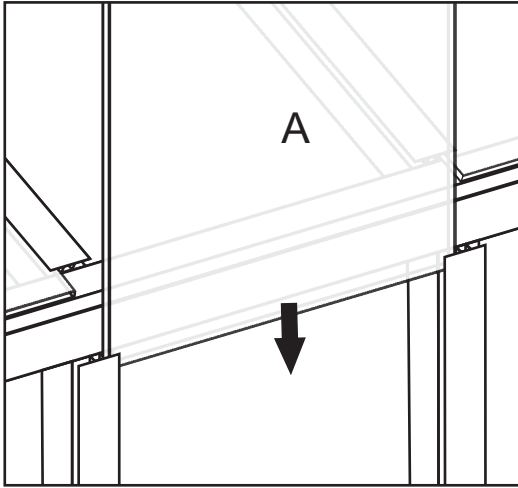
Picture	NO.	Qty.
	B	4
	17	3
	18B	1
	42B	8
	42D	8

# Step 27



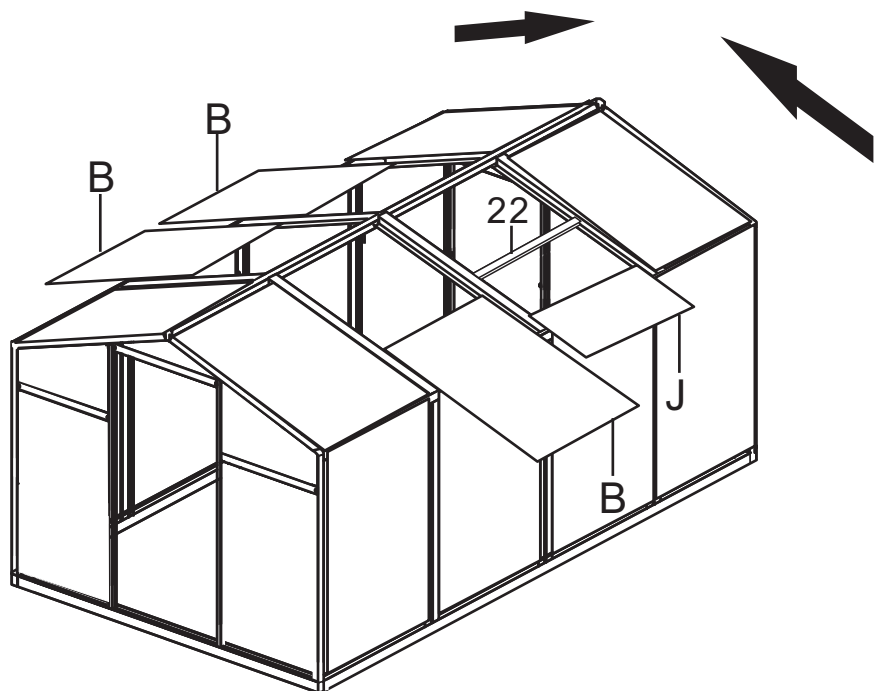
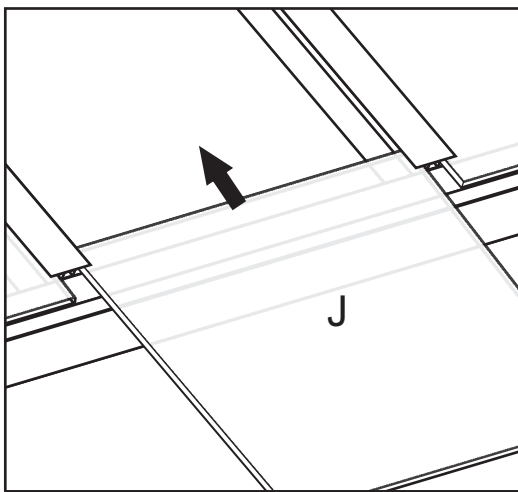
Picture	NO.	Qty.
	17	1
	18A	1
	22	1
	42B	6
	42D	6

# Step 28



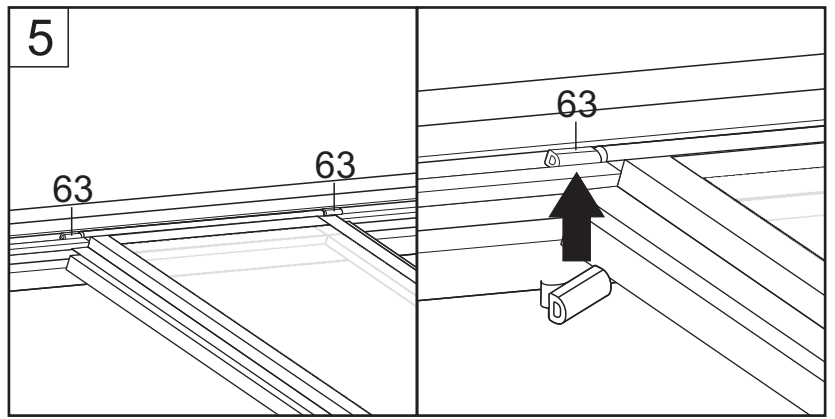
Picture	NO.	Qty.
	A	4

# Step 29

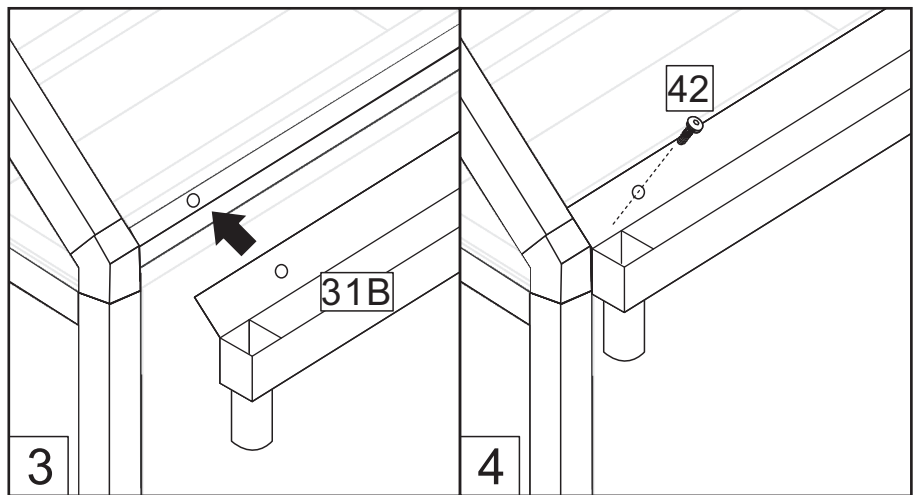
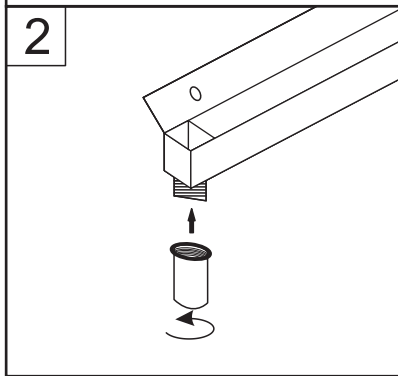
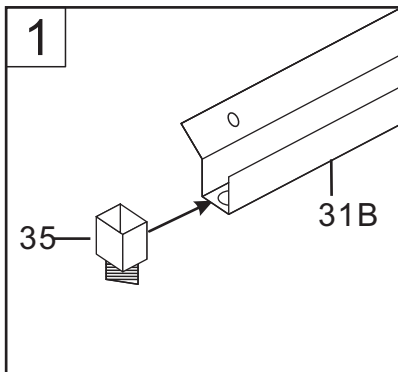
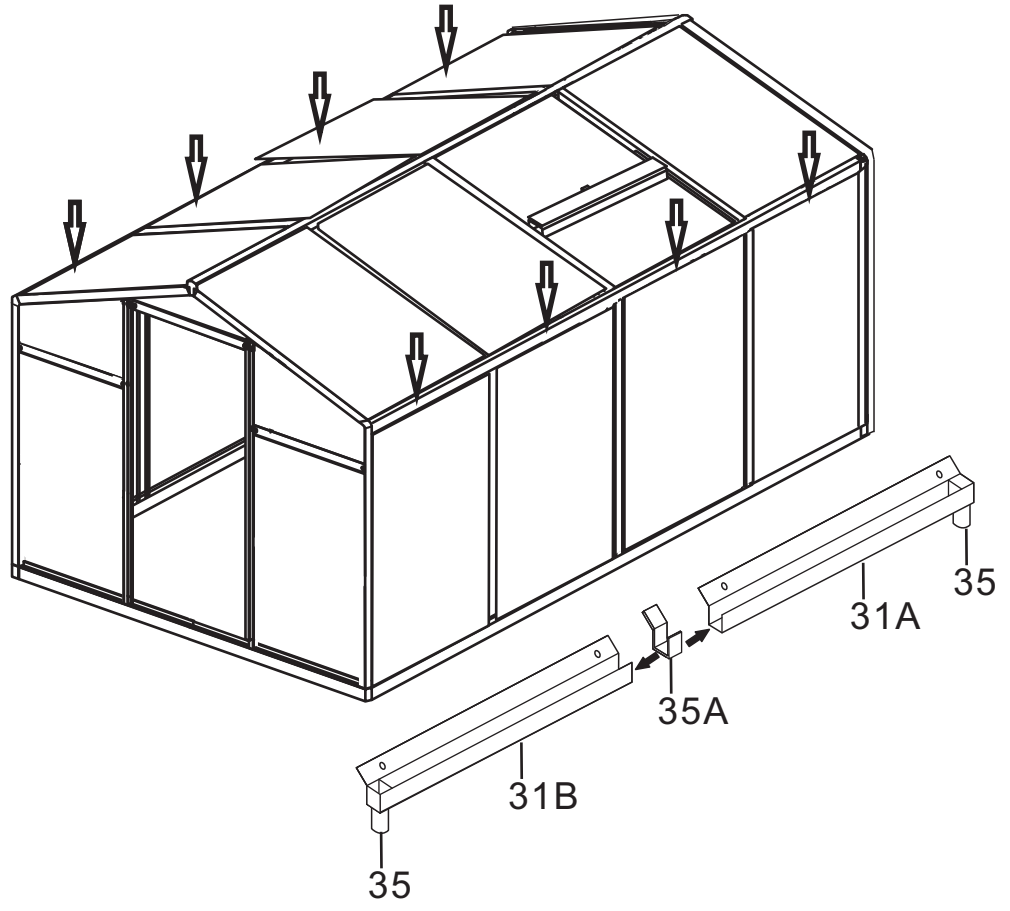


Picture	NO.	Qty.
	B	3
	J	1

# Step 30

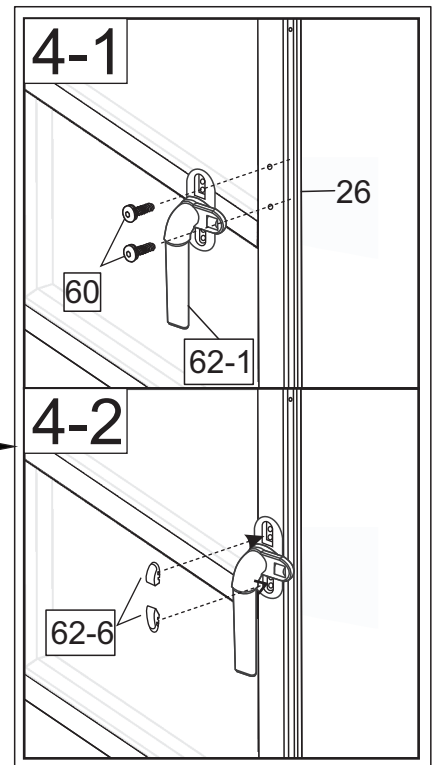
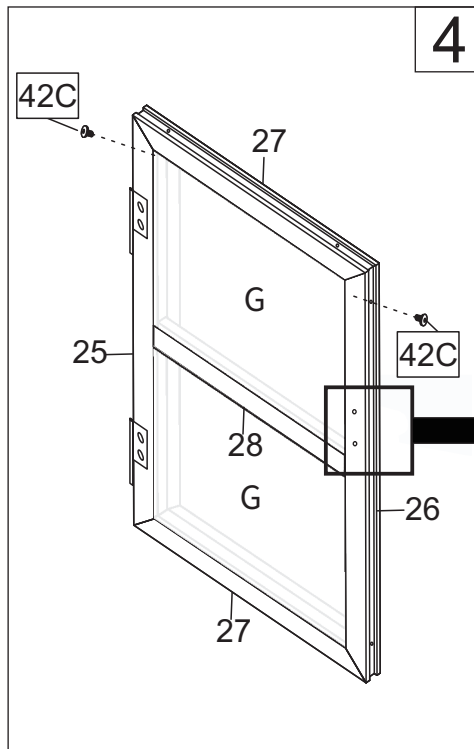
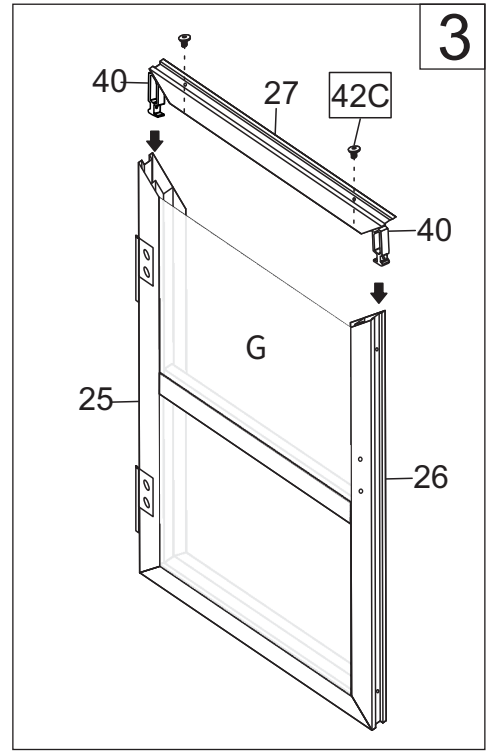
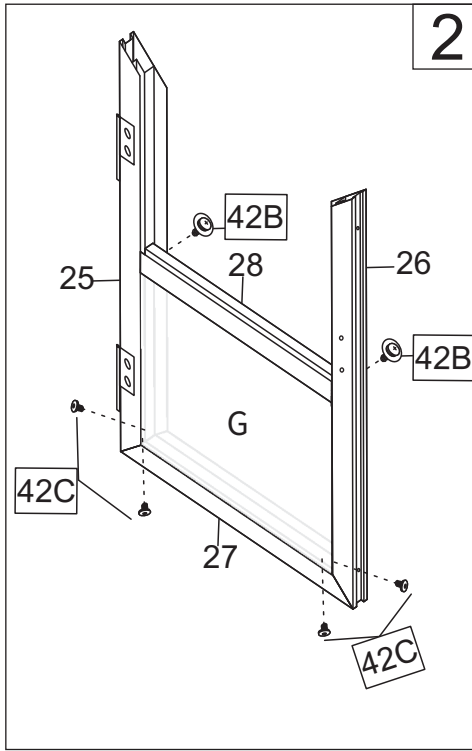
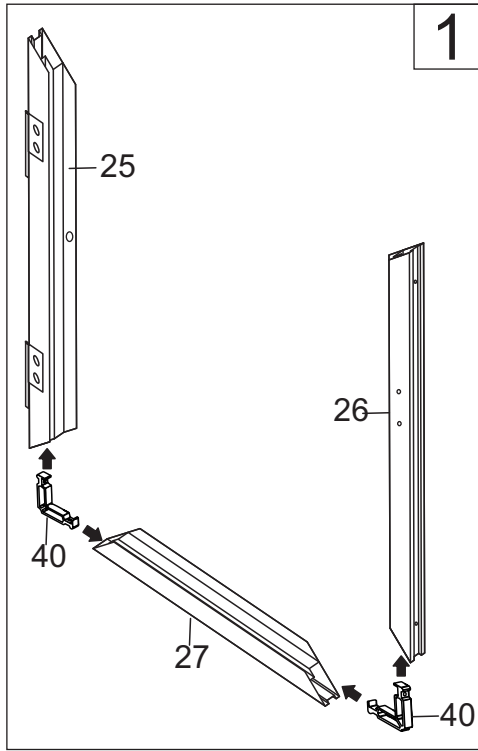


Calibrate the window position. Tear off the protective film of the 63# accessory and insert it into both side tracks of the window for secure adhesion, preventing the window from sliding.



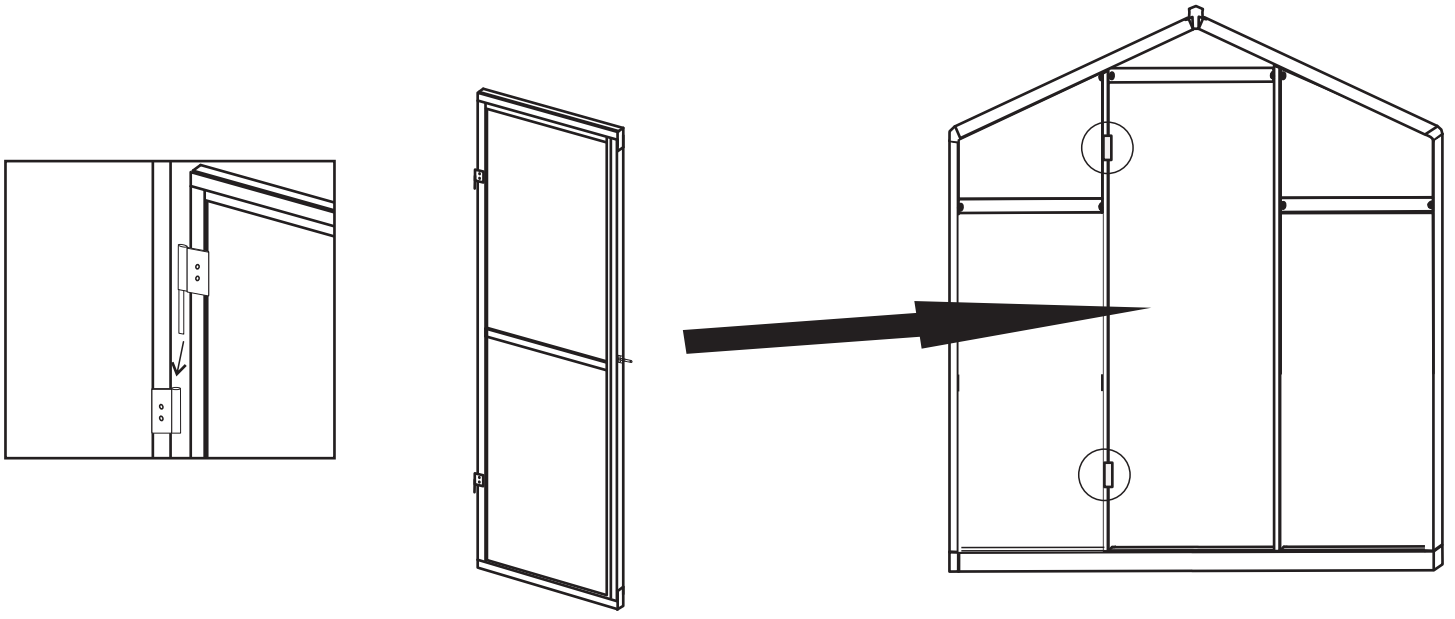
Picture	NO.	Qty.
	31A	2
	31B	2
	35	4
	35A	2
	42	8
	63	2

# Step 31

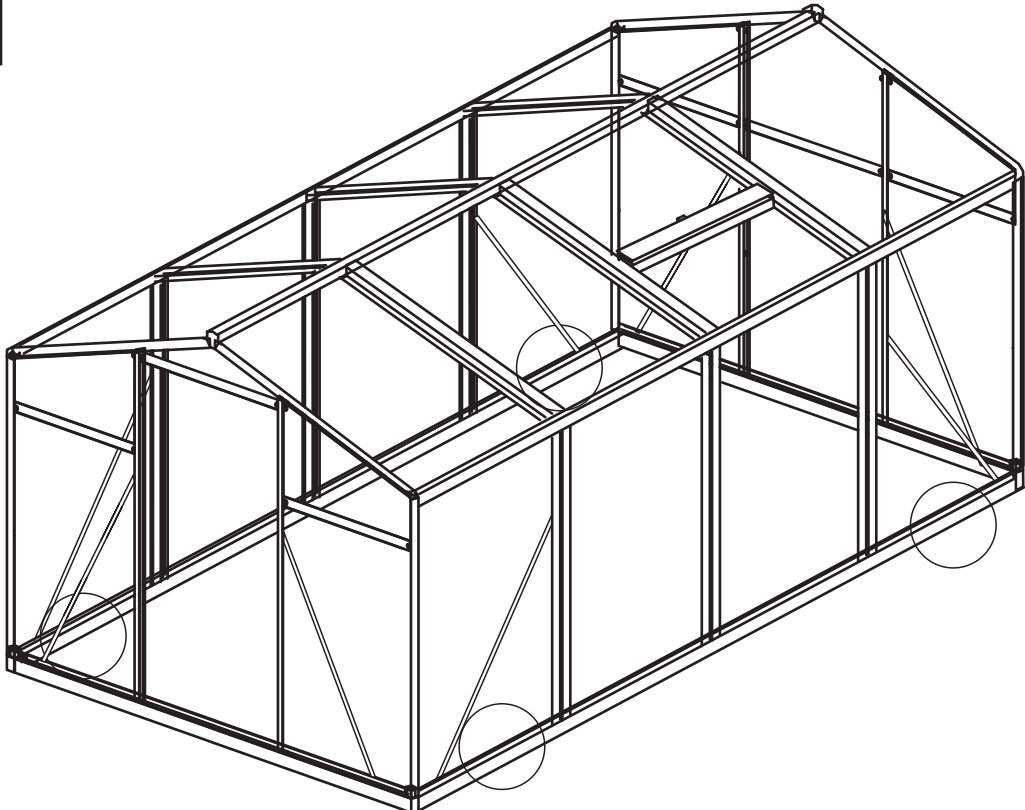




Picture	NO.	Qty.
	25	1
	26	1
	27	2
	28	1
	G	2
	42B	2
	42D	2
	42C	8
	40	4
	62-1	1
	62-6	1
	60	2

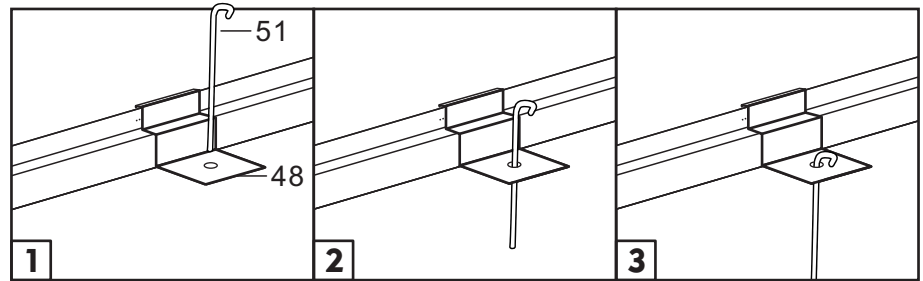
# Step 32



# Step 33



Picture	NO.	Qty.
	48	4
	51	4



## **IMPORTANT SAFETY INFORMATION**

Please carefully read the instructions and caution warnings below before assembling the product. Following this guide will ensure that you install, use and maintain the product properly.

- Please keep this installation and user manual/instructions for future reference in case you need to assemble the product.
- Do not assemble if you notice serious damage such as cracks or bends.
- During installation, please use work gloves for hand safety.
- Please assemble the unit on carpeted floor or the flat cardboard box to avoid scratching the surface or your floor while assembling on the floor.
- To assemble, please use the complimentary installation tools (Allen Wrench). Pay more attention to the direction of components at each step.
- It is recommended that two people work together to assemble the product.
- Please do not tighten the screws up too much, just to 80% before you finish to make the installation go on successfully.

## **RETURN POLICY**

We believe you will absolutely love your new product. But for some reason you want to return your item, please contact us within 30 days after receiving and ensure that the product which you want to return is in a good condition in the original box with all original certificates of purchase, manuals and accessories attached.

## **HOW TO MAINTAIN YOUR PRODUCT:**

- Check the screws of the product are not loose from regular use.
- Do not use sharp instruments, rubbing alcohol, corrosive chemicals, or abrasive cleaners to clean the product.
- Do not keep the product in a damp environment for a long period of time. The damp environment may cause the iron components to rust and the plates to bulge and crack.

**How to find us ?**

**Customer Service**

**Email: [support@garvee.com](mailto:support@garvee.com)**