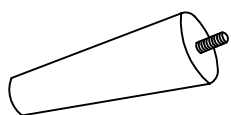
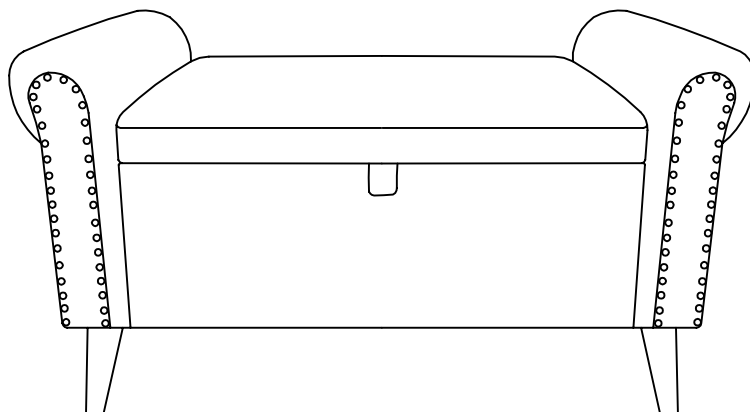
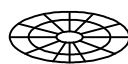


# ASSEMBLY INSTRUCT



Ax4



Bx4

STEP : 1

