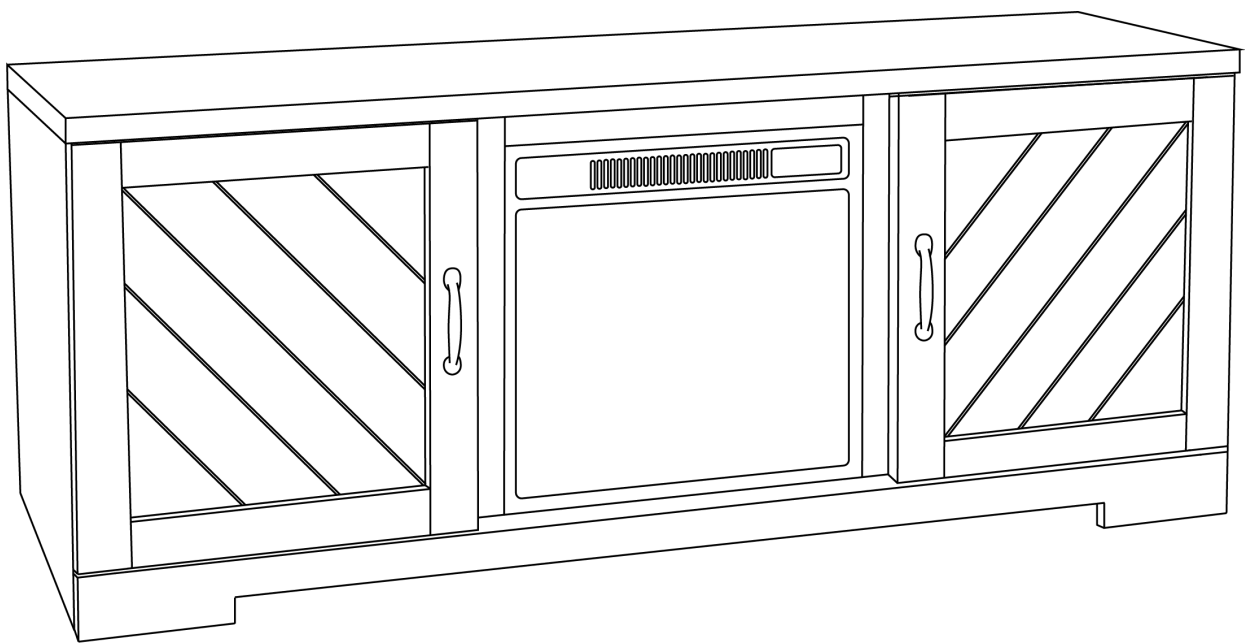


TV Stand w/ Fireplace



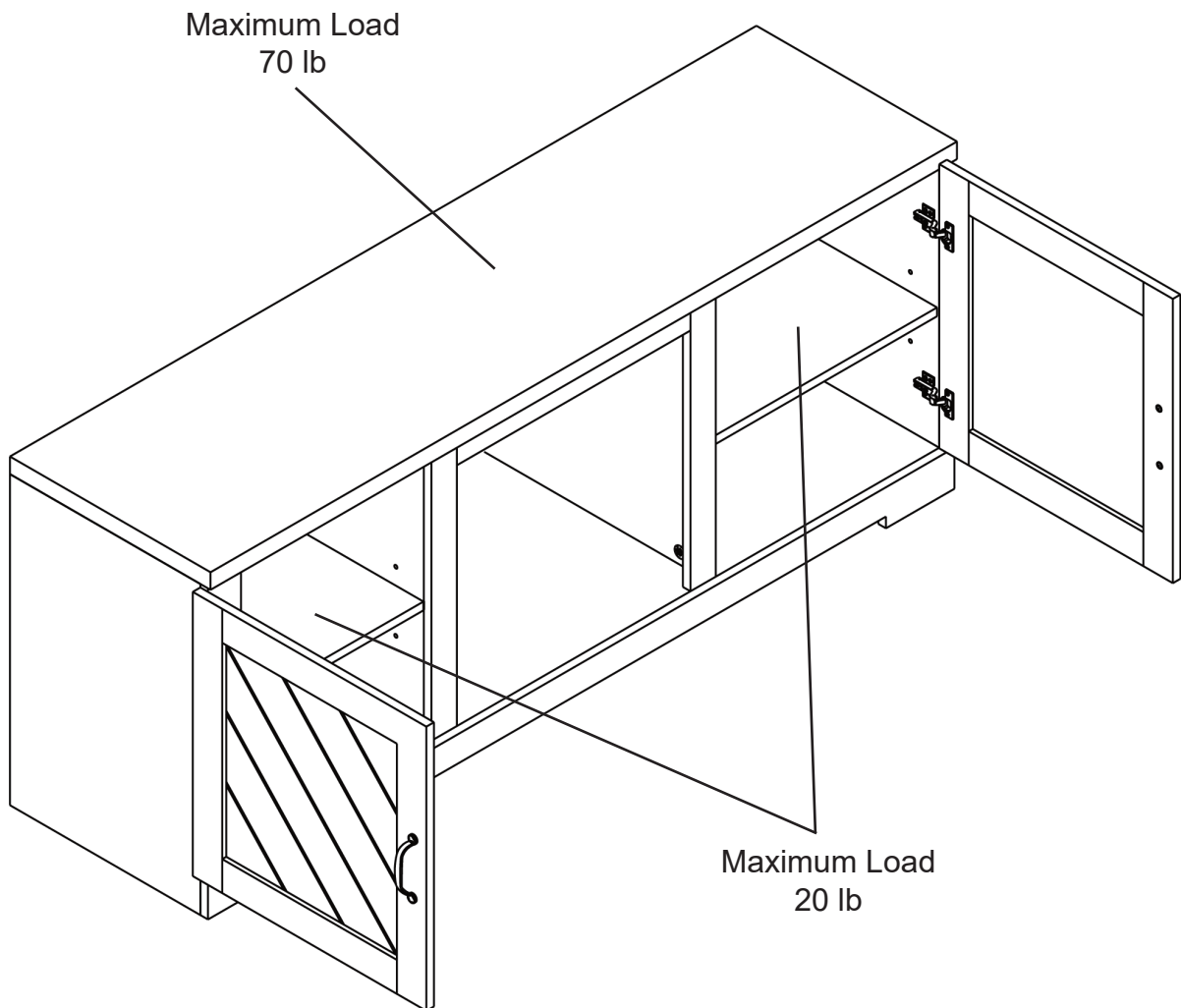


Estimated time for assembly:

120 mins



Weight limitations are as follows:





Assemble the furniture on an empty carton, carpet, or rug to prevent scratches or damage.

For safety, please keep pets and children away from the assembly area.

Ensure the product is fully assembled before use. If you are missing any hardware or products, do not use it until you have restored the missing parts.



This furniture requires 2 people for assembly.

Read this instruction manual prior to assembly to familiarize yourself with the various steps.

Lay out all components and hardware separately on a flat surface and make sure that no parts are missing or damaged before assembly. Do not destroy or discard any packaging until you are certain that you have all the necessary parts for assembly.

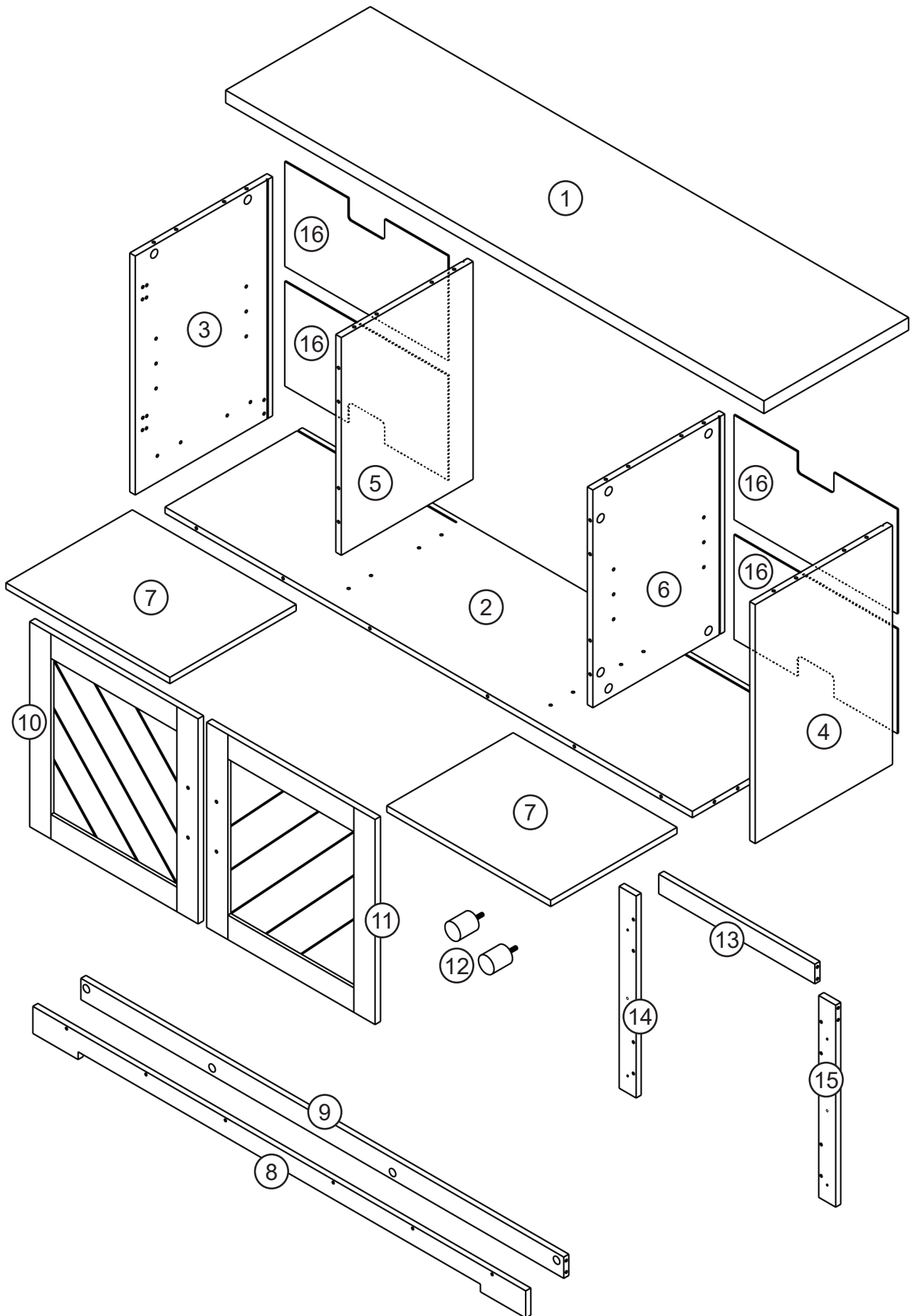
Hand tight all hardware and careful not to over tighten to avoid damaging the product.

CAUTION

There are small components used in the construction of this product. Loose items should be kept away from pets and children to avoid a choking hazard.

Keep all plastic bags and packaging film away from pets and children to avoid suffocation.

PACKAGE CONTENTS



PACKAGE CONTENT (A)

CODE	DESCRIPTION	QTY
1	Top Panel	1
2	Bottom Panel	1
8	bottom front support	1
9	bottom back support	1
13	top cross bar	1
14	left vertical strip	1
15	right vertical strip	1
16	back panel	4

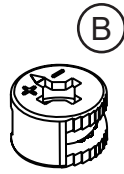
PACKAGE CONTENT (B)

CODE	DESCRIPTION	QTY
3	Left Side Panel	1
4	Right Side Panel	1
5	Left Divider	1
6	Right Divider	1
7	removable shelf	2
10	Left Door	1
11	Right Door	1
12	Support leg	2

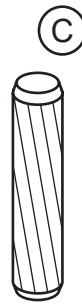
PACKAGE CONTENTS



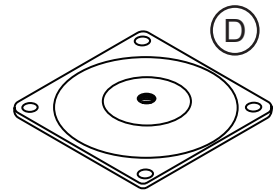
28x + 2x



28x + 2x



30x + 3x

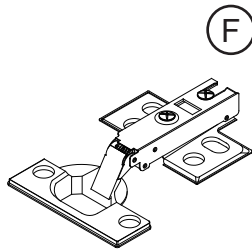


2x



8x

M4 x 12mm

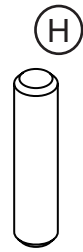


4x

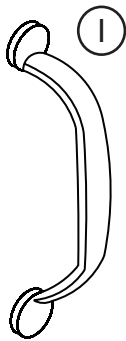


24x + 2x

M4 x 14mm



8x

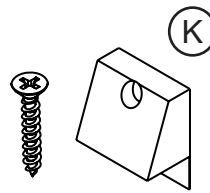


2x

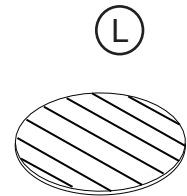


4x

M4 x 18mm



8x

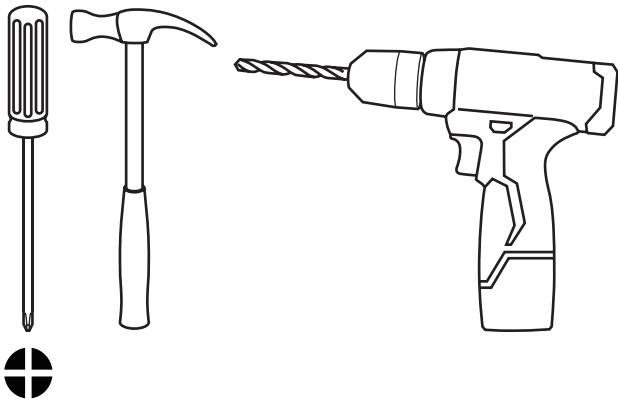


16x+1x



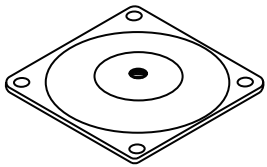
Install all hardware perpendicular to the opening.

Required tools for assembly (Not included)



1

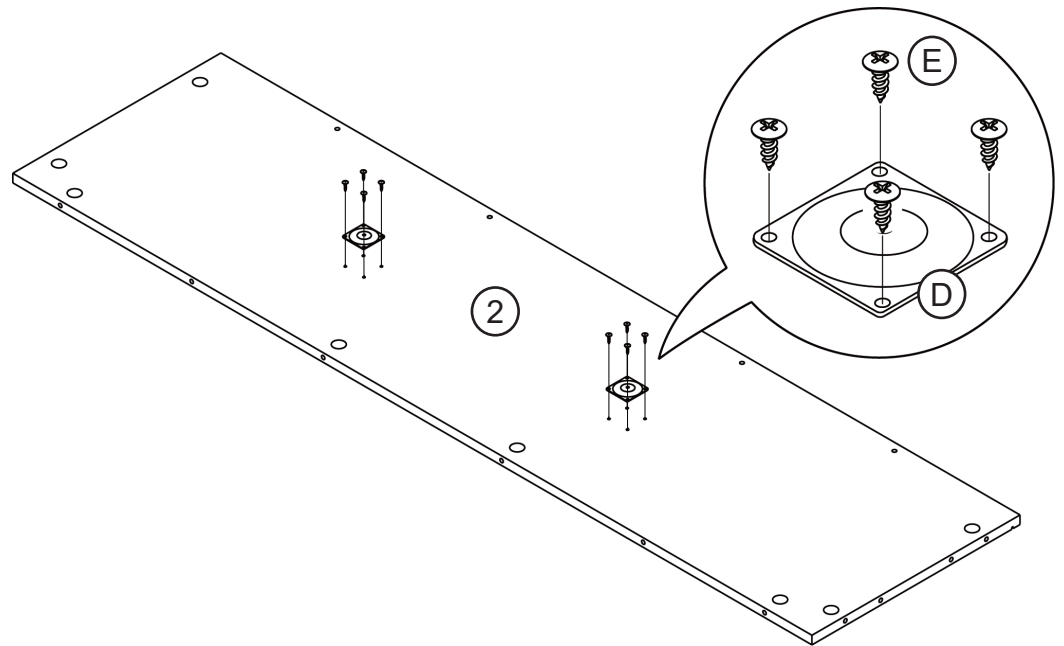
Attach support legs bracket to the underside of the bottom panel.



(D) 2x

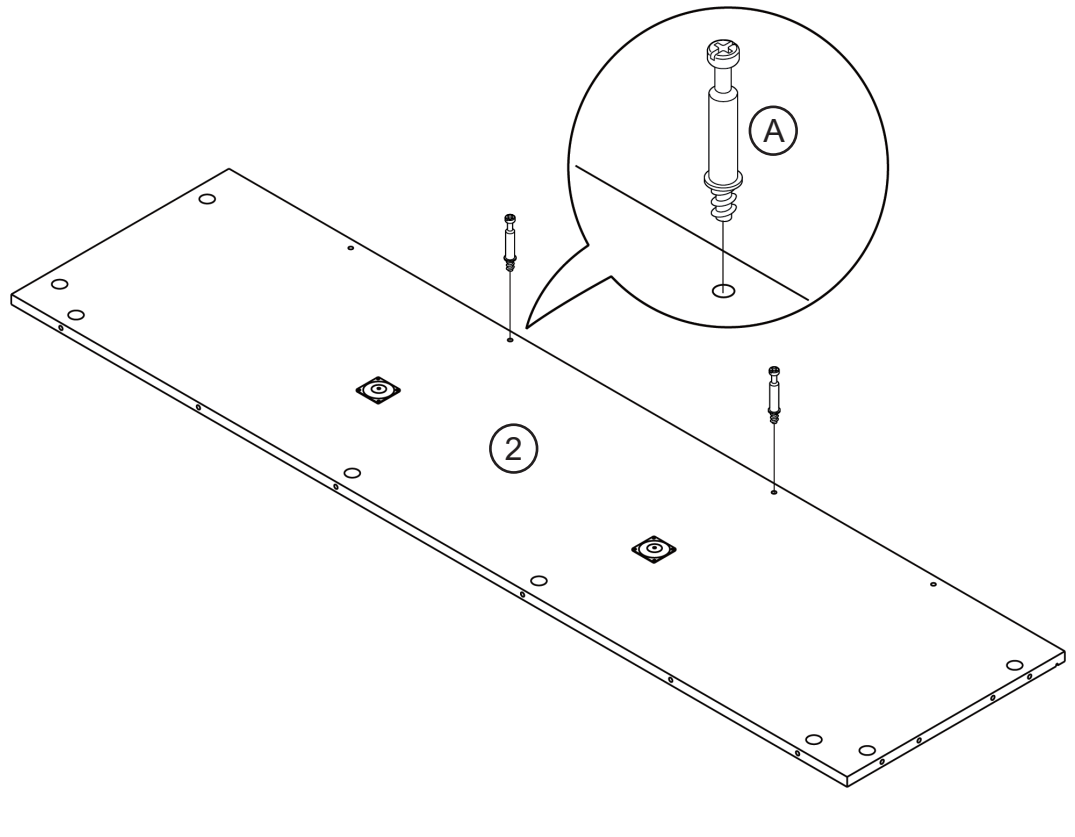
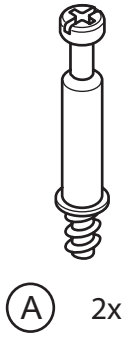


(E) 8x



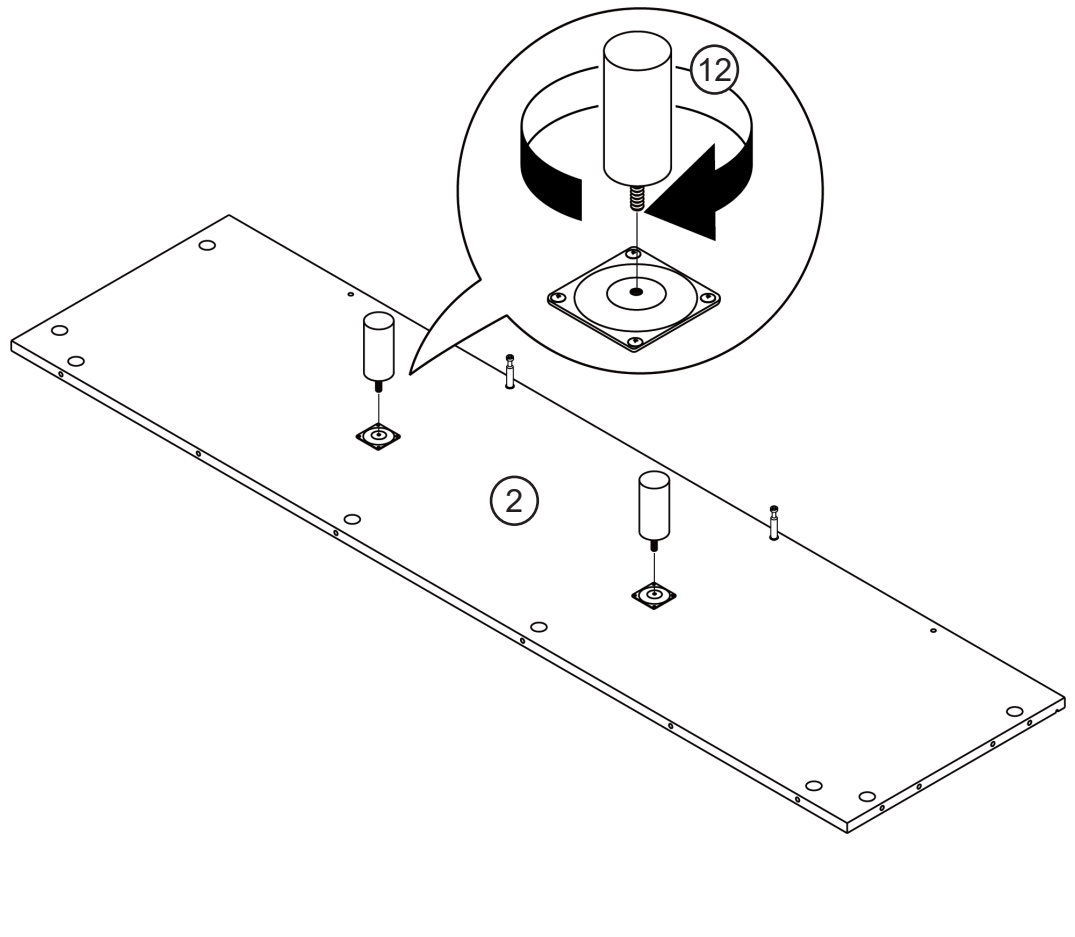
2

Attach cam bolts to the underside of the bottom panel.



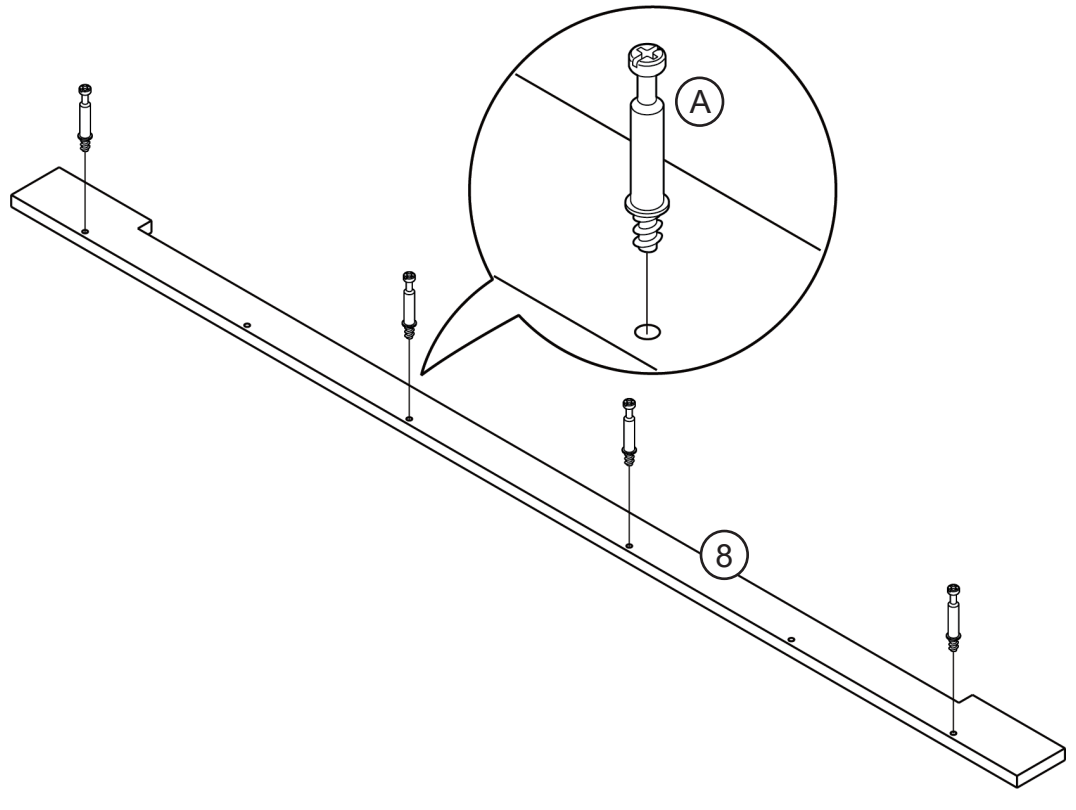
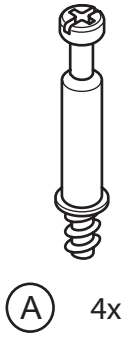
3

Attach support legs to the bottom panel.



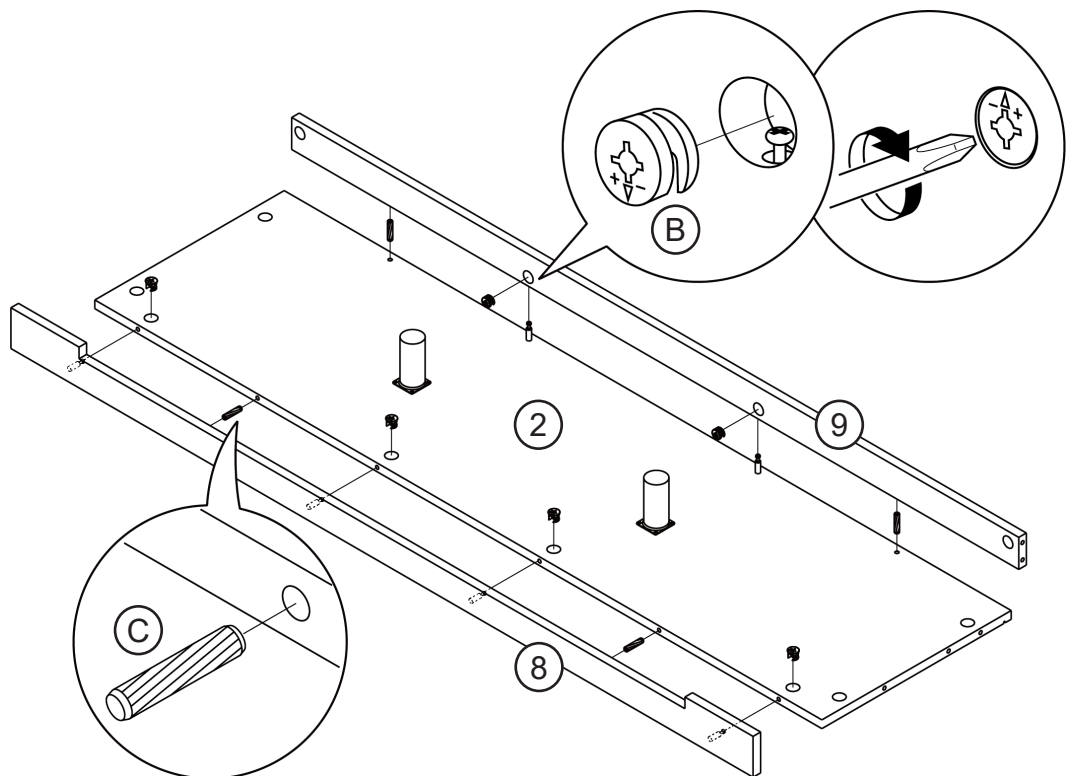
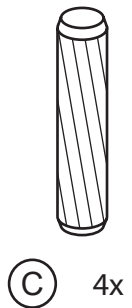
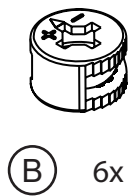
4

Attach cam bolts to the front leg.



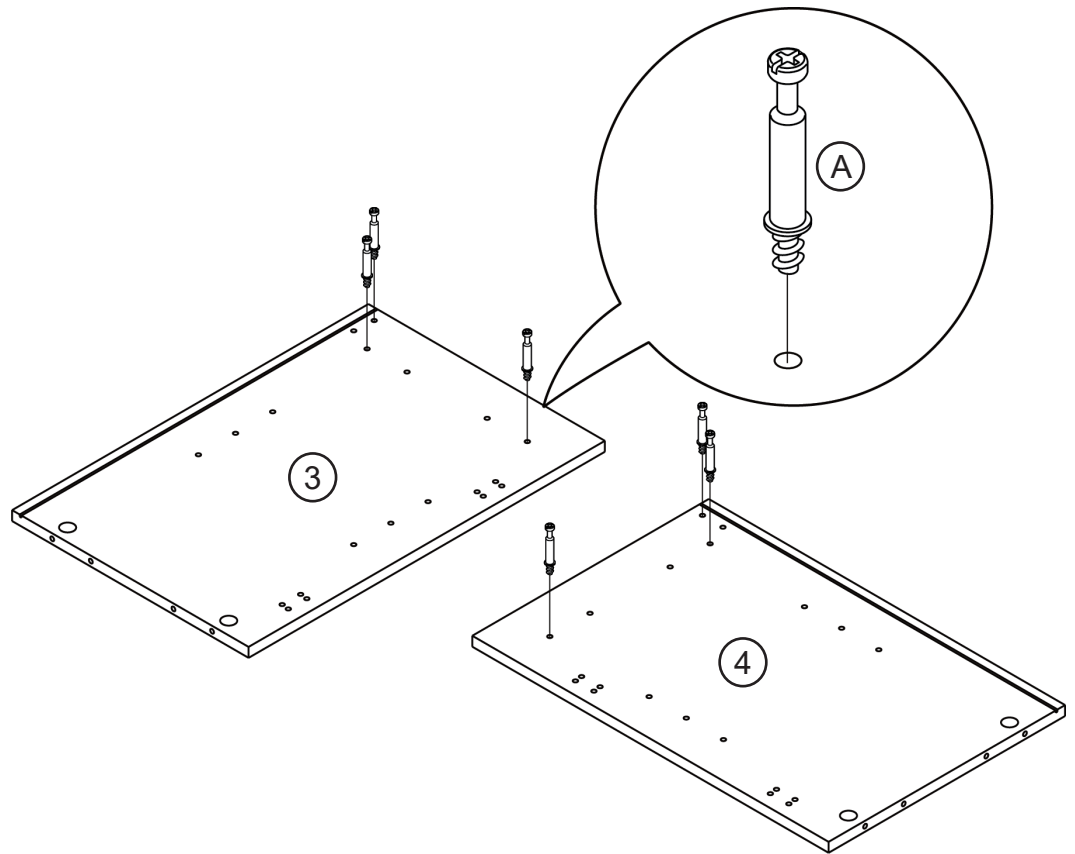
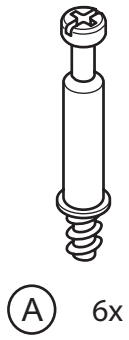
5

Attach the front and back legs to the bottom panel.



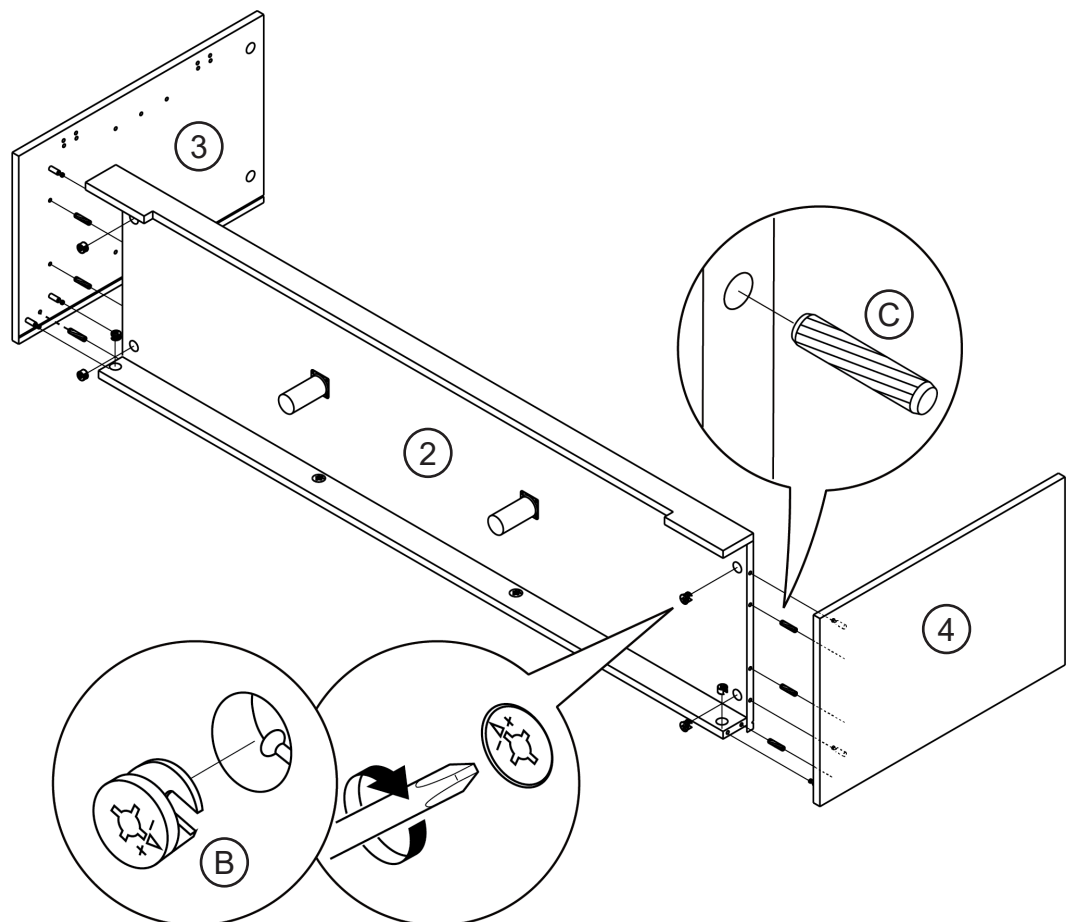
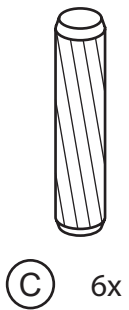
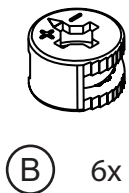
6

Attach cam bolts to the left and right side panels.



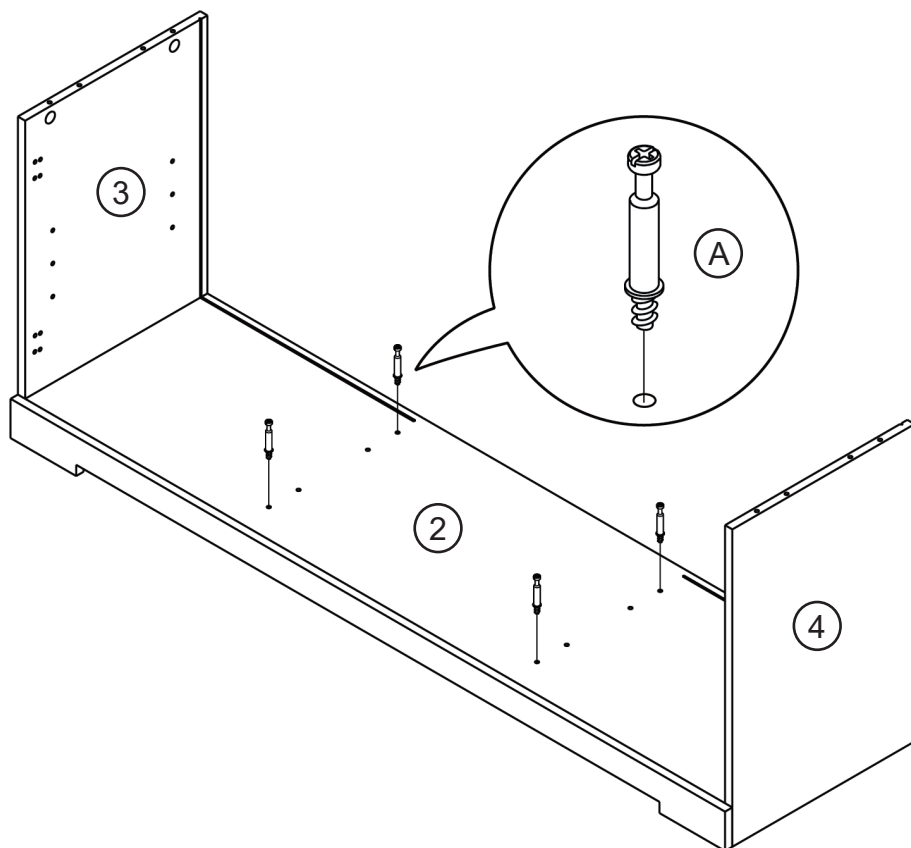
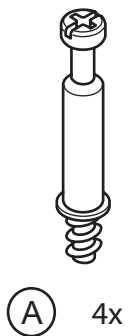
7

Assemble the left and right panels to the base.



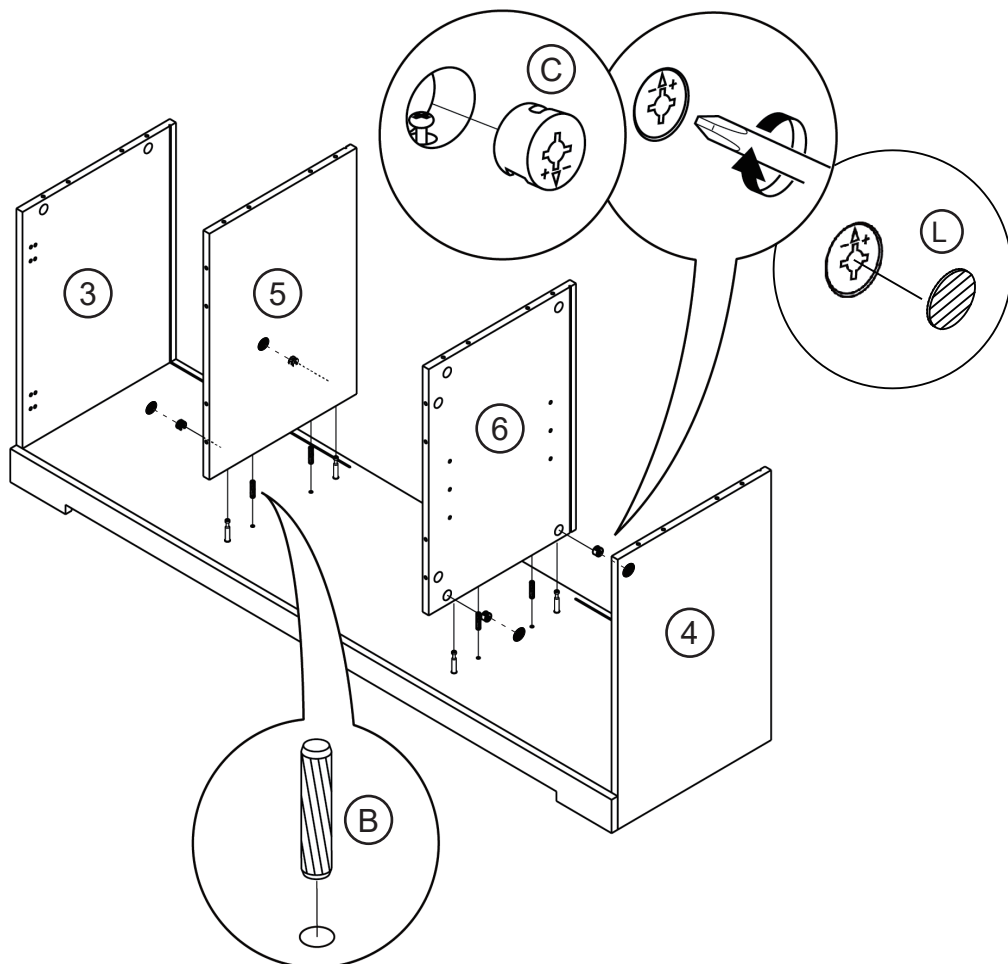
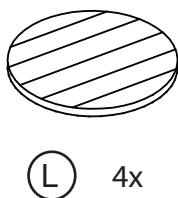
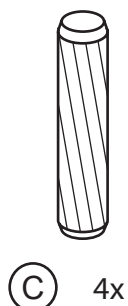
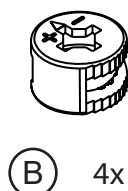
8

Attach cam bolts on top of the bottom panel.



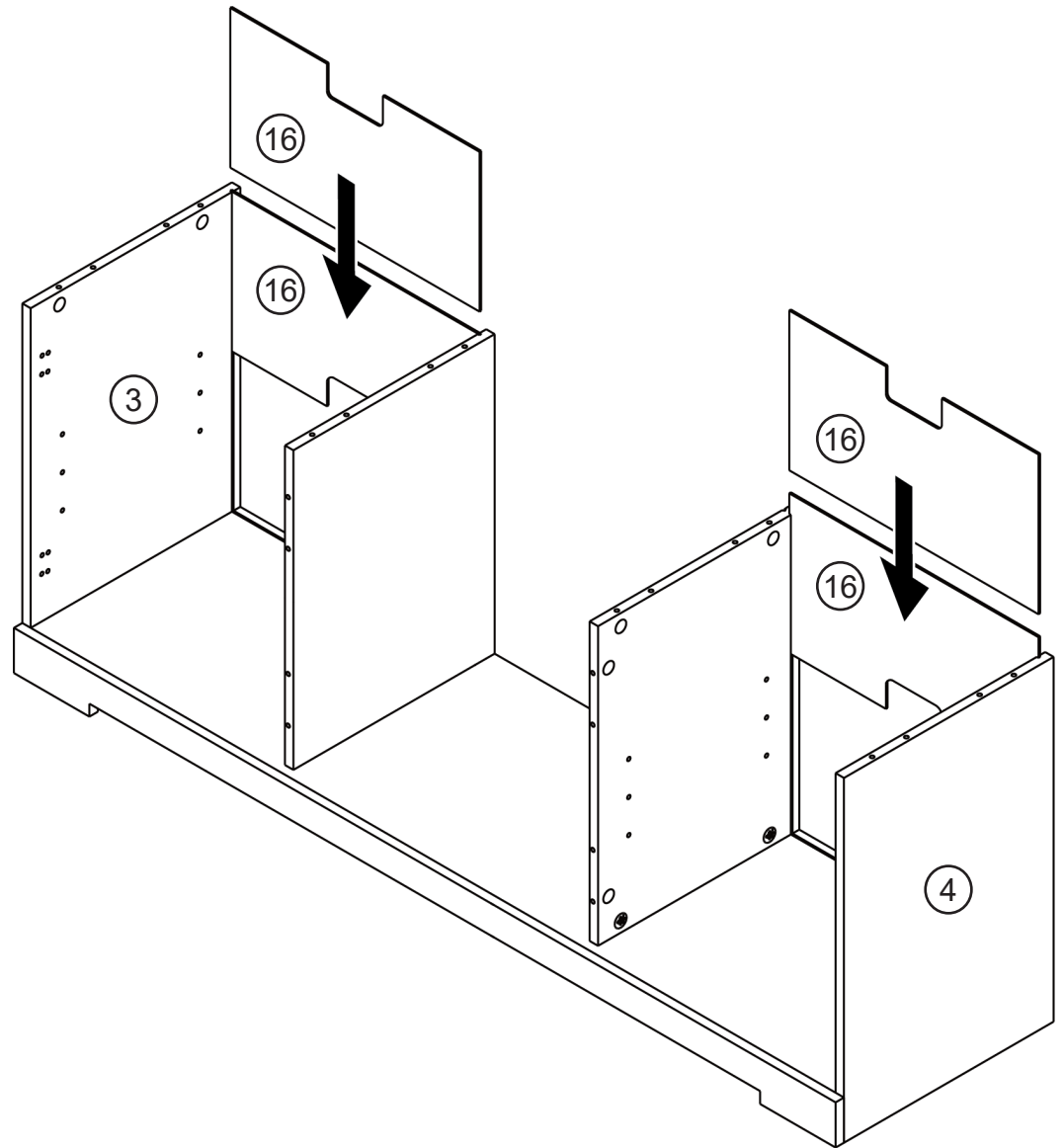
9

Assemble the left and right medial panels on the bottom panel.



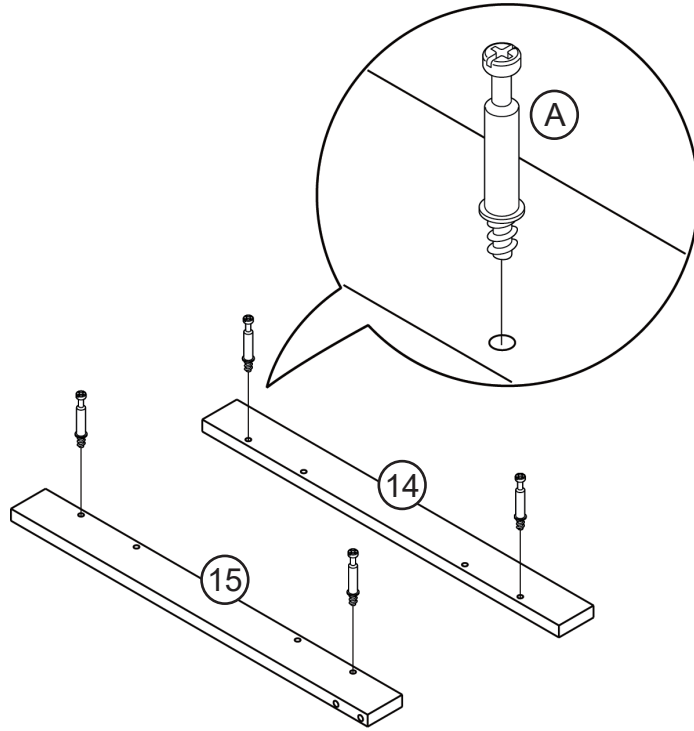
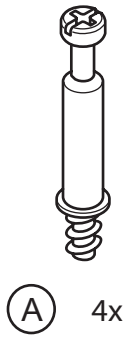
10

Slide the back panels to the grooves in the side and medial panels.



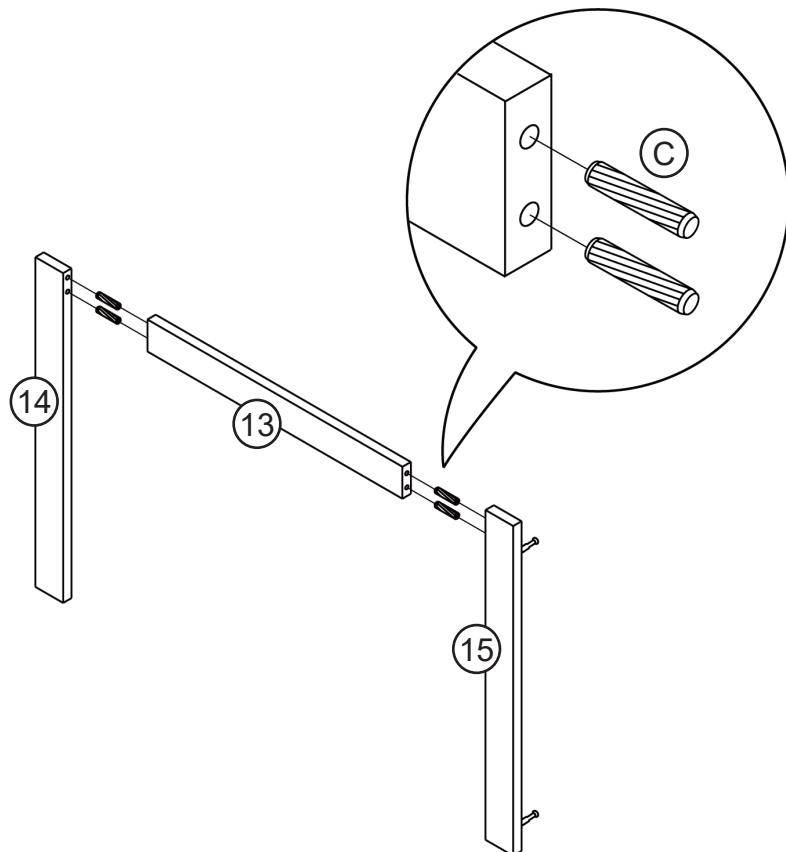
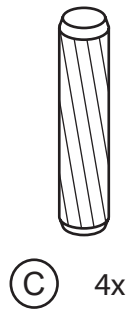
11

Attach cam bolts to the left and right trim panel.



12

Insert wood dowels to the side of the crossbar, and assemble the crossbar between the trim panels.



13

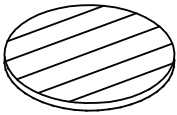
Assemble the trim frame in front of the medial panels.



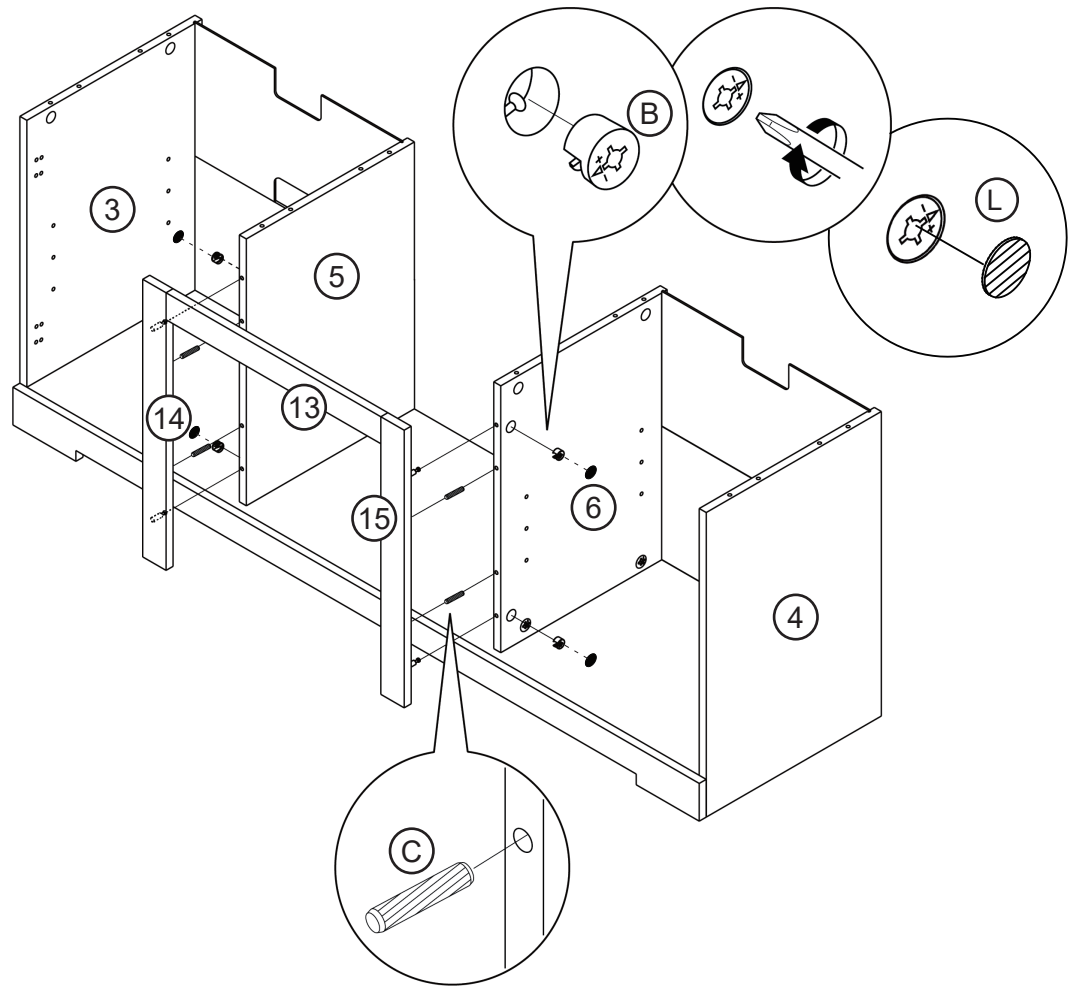
(B) 4x



(C) 4x



(L) 4x

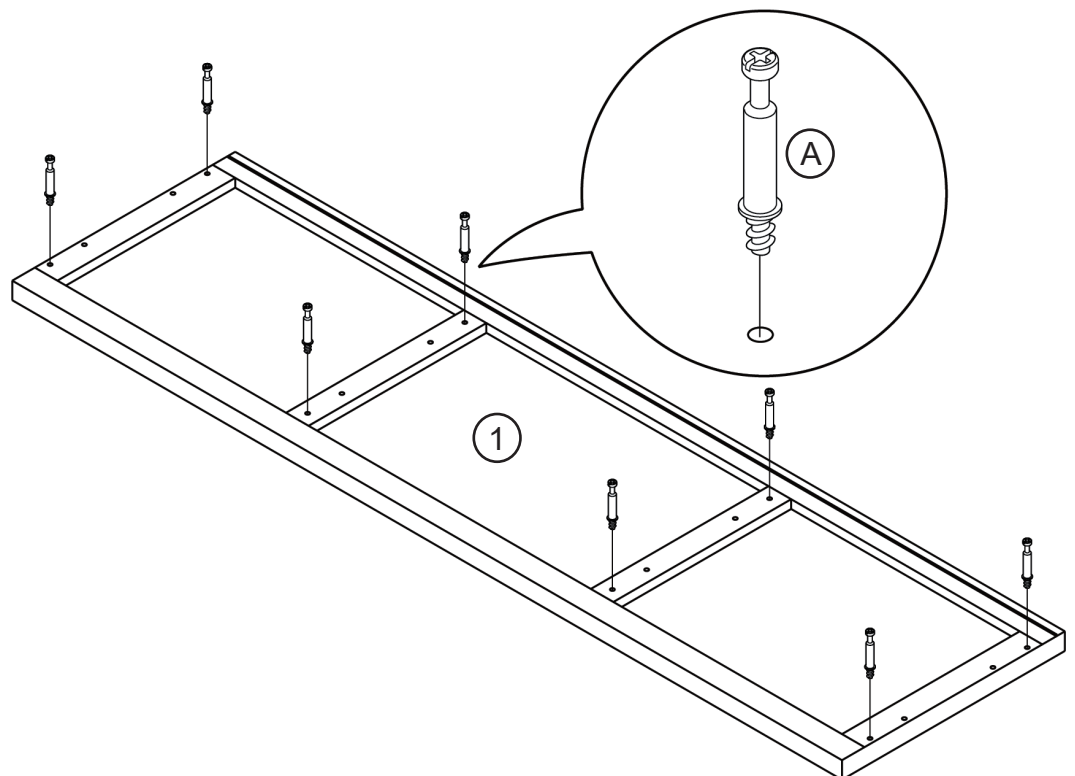


14

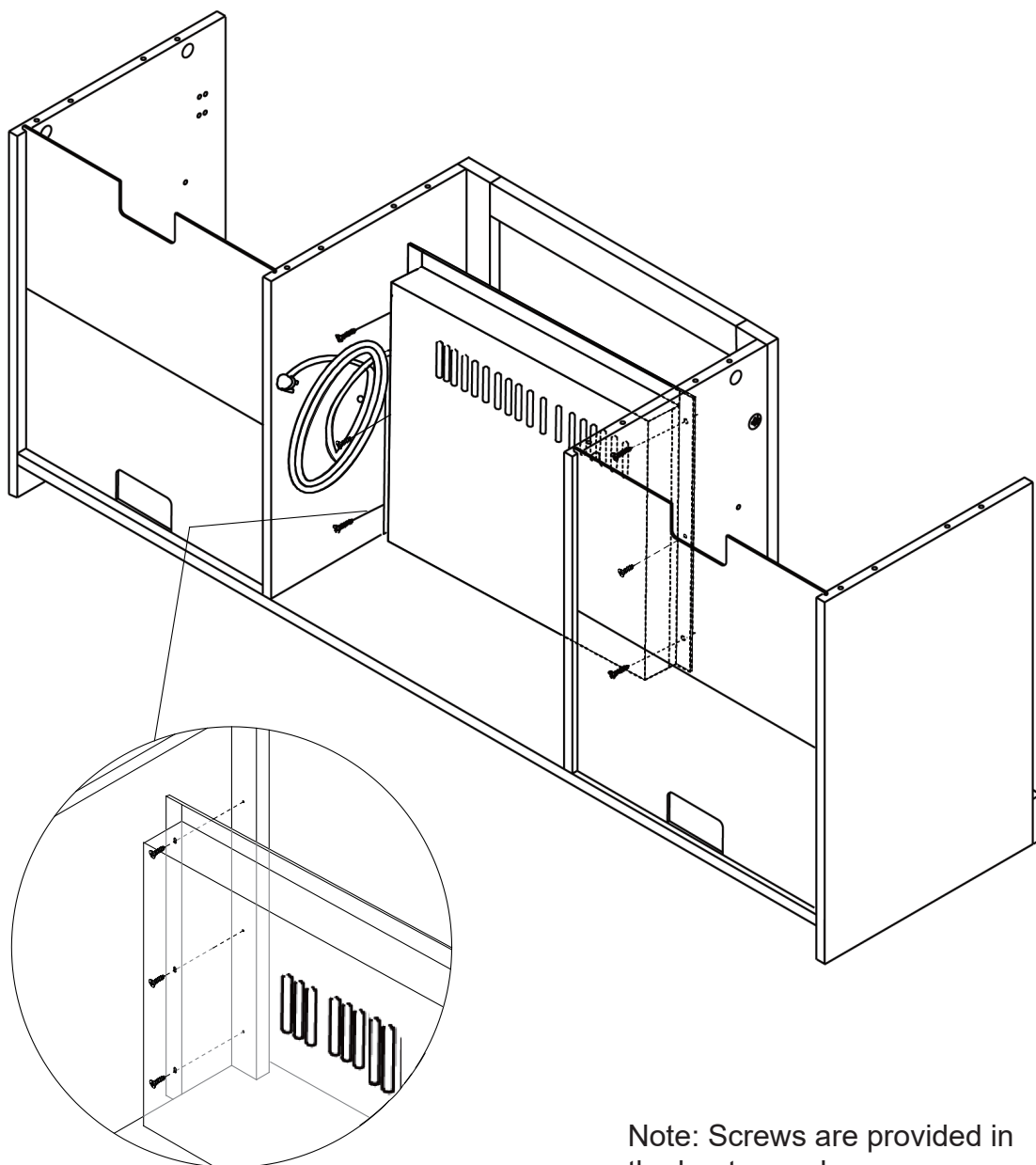
Attach cam bolts to the underside of the top panel.



(A) 8x



Attach fireplace heater to the trim frame from the back.



Note: Screws are provided in the heater package.

⚠ CAUTION

The heater has a glass front panel. Careful when handling glass to prevent injury or damage.

Set the unit from the back of the fireplace mantel and center it in the opening. Check the alignment and attach the unit to the mantel by inserting screws through the drilled holes on the mantel.

For the exact instruction, please refer to the user's manual provided with the fireplace.

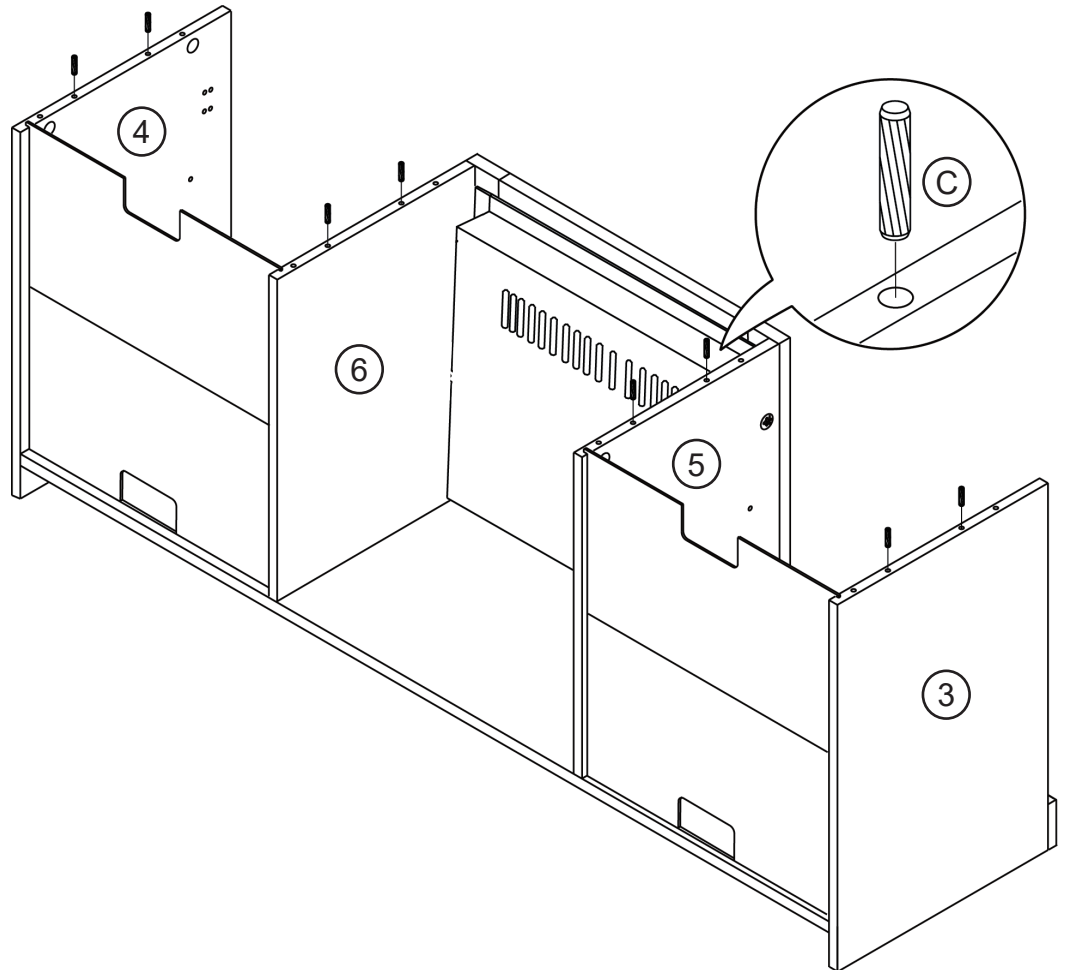
NOTE: Do not attempt to install the unit from the front of the mantel. It will not fit.

16

Insert wood dowels on top of the side and medial panels.

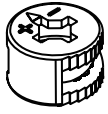


Ⓒ 8x

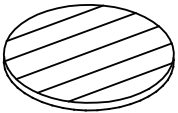


17

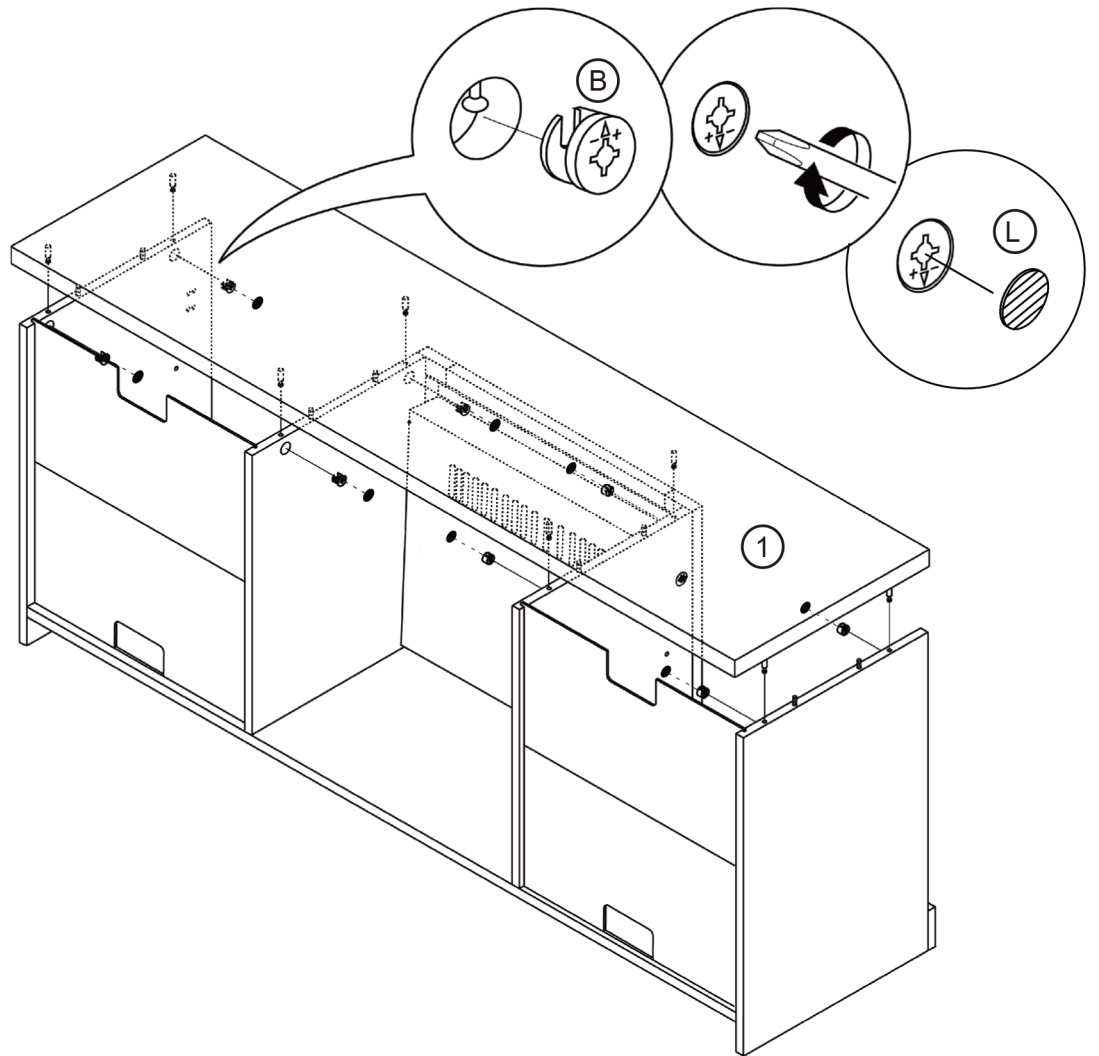
Assemble the top panel on top of the TV stand.



(B) 8x

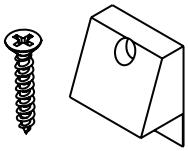


(L) 8x

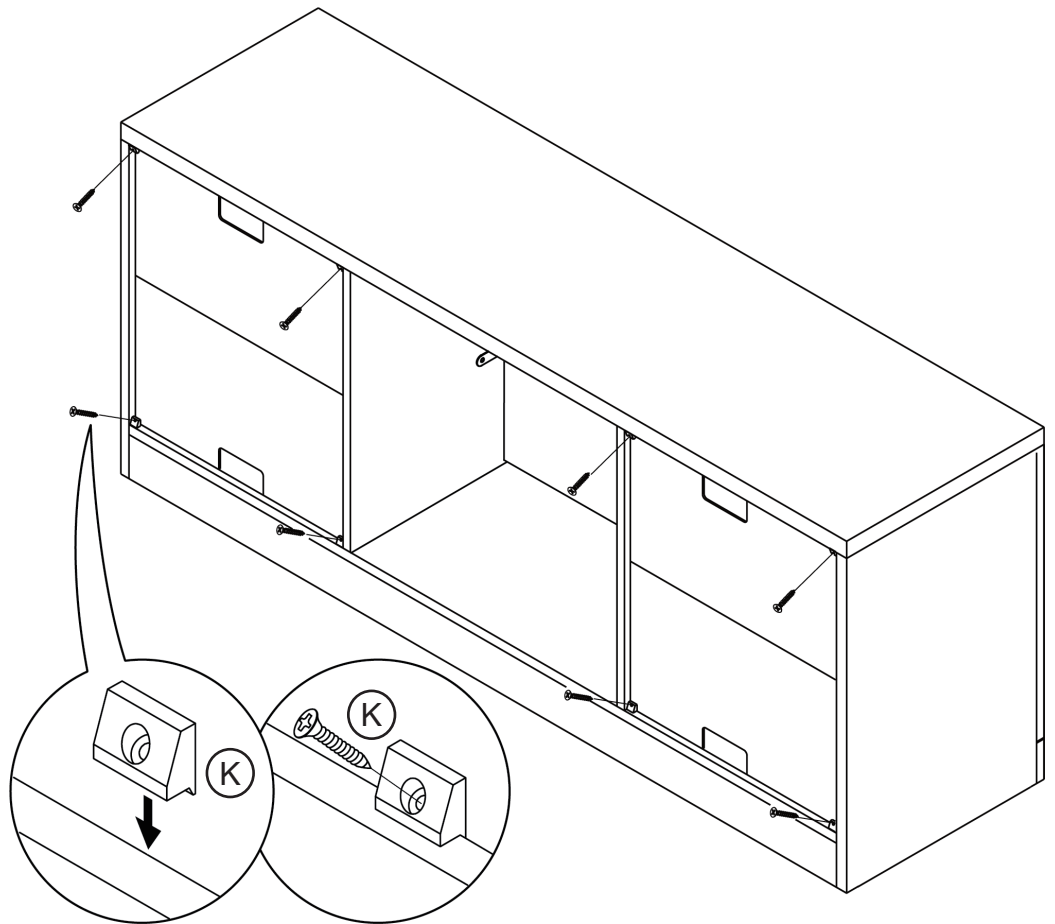


18

Secure the back panels in place.

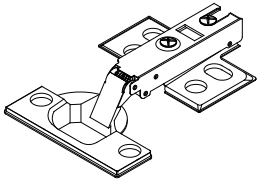


(K) 8x



19

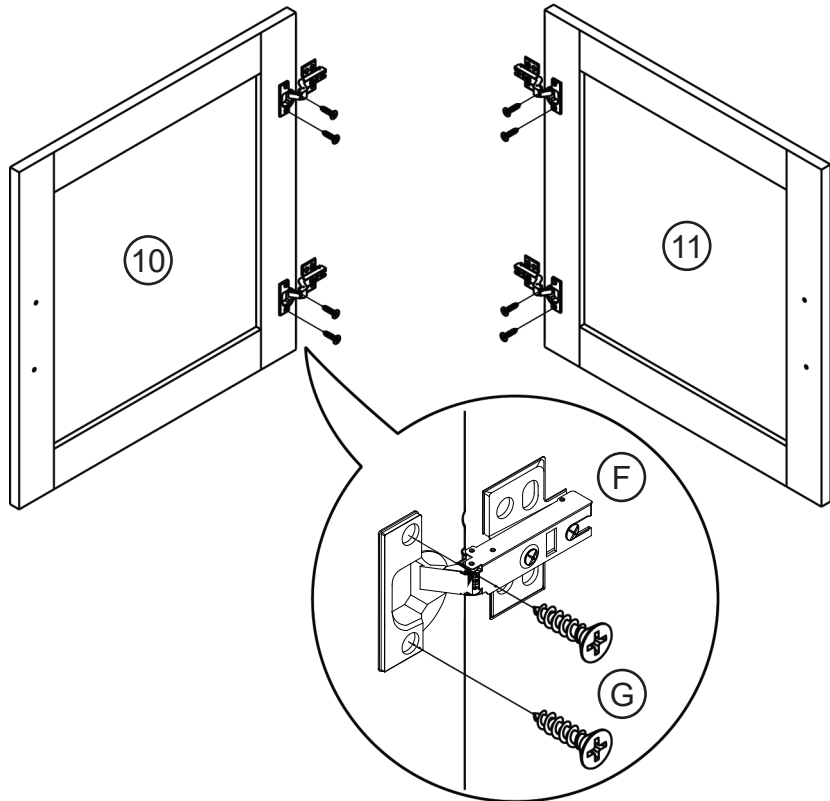
Attach door hinges to the cabinet doors.



(F) 4x

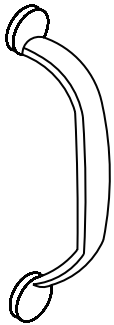


(G) 8x



20

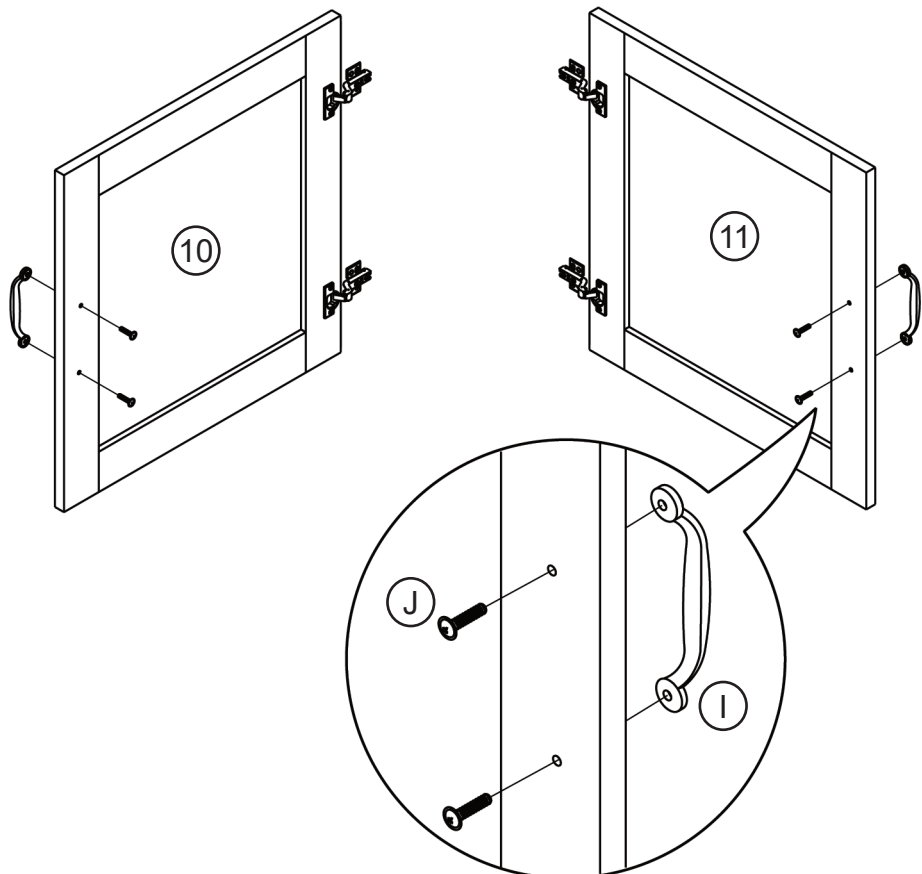
Attach door handles to the cabinet doors.



(I) 2x

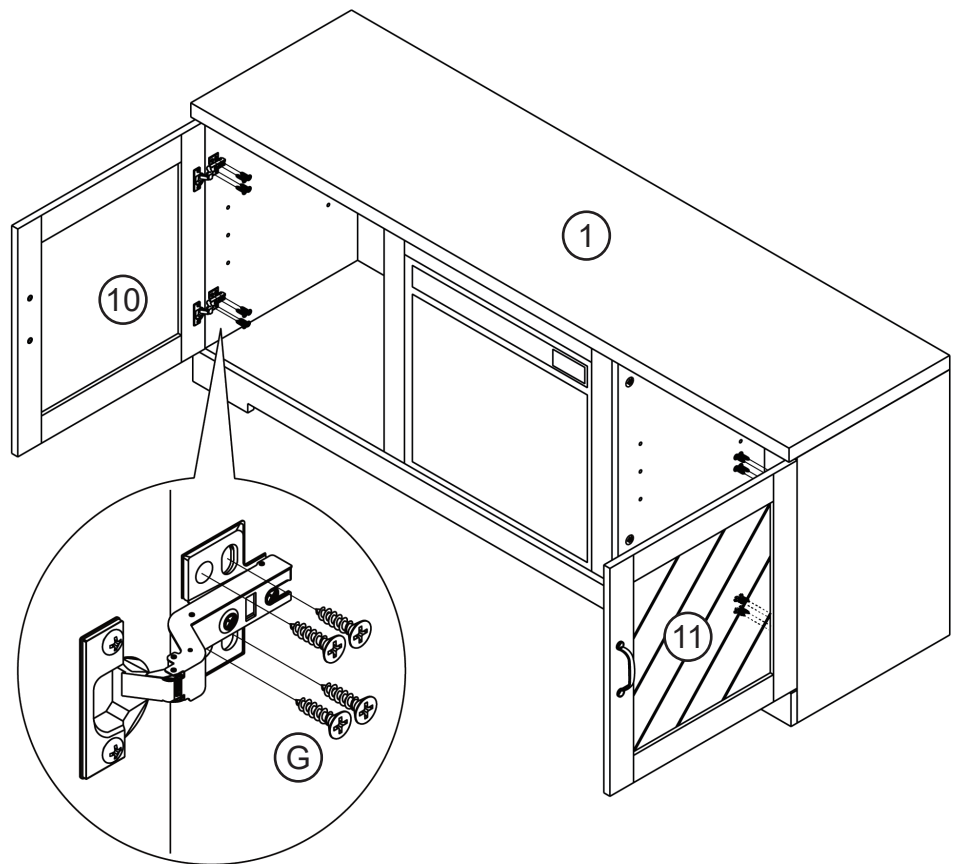
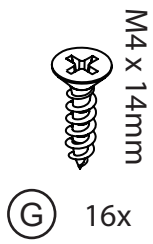


(J) 4x

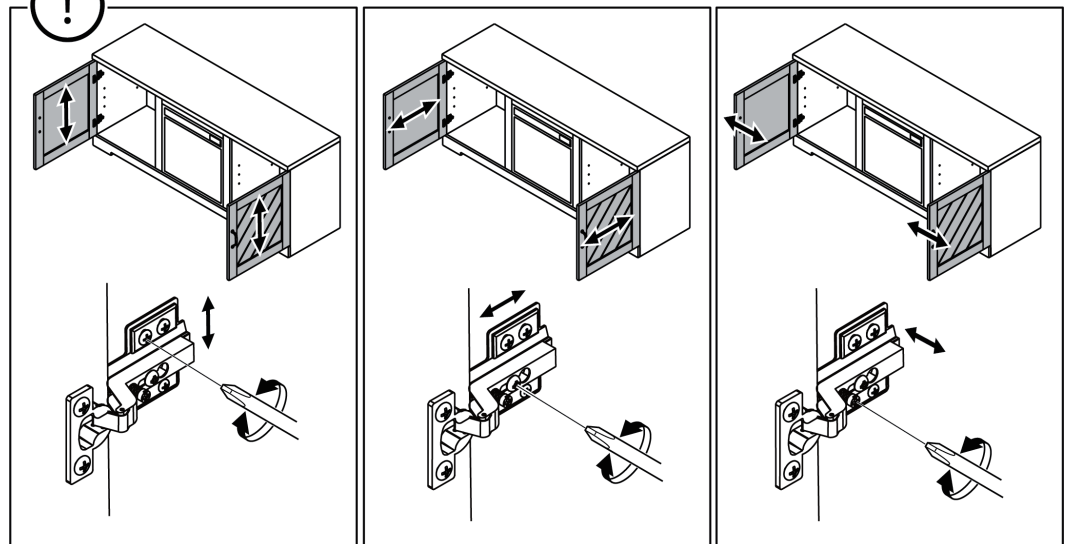


21

Attach cabinet doors to the TV stand.



! Adjust the position of the cabinet doors.



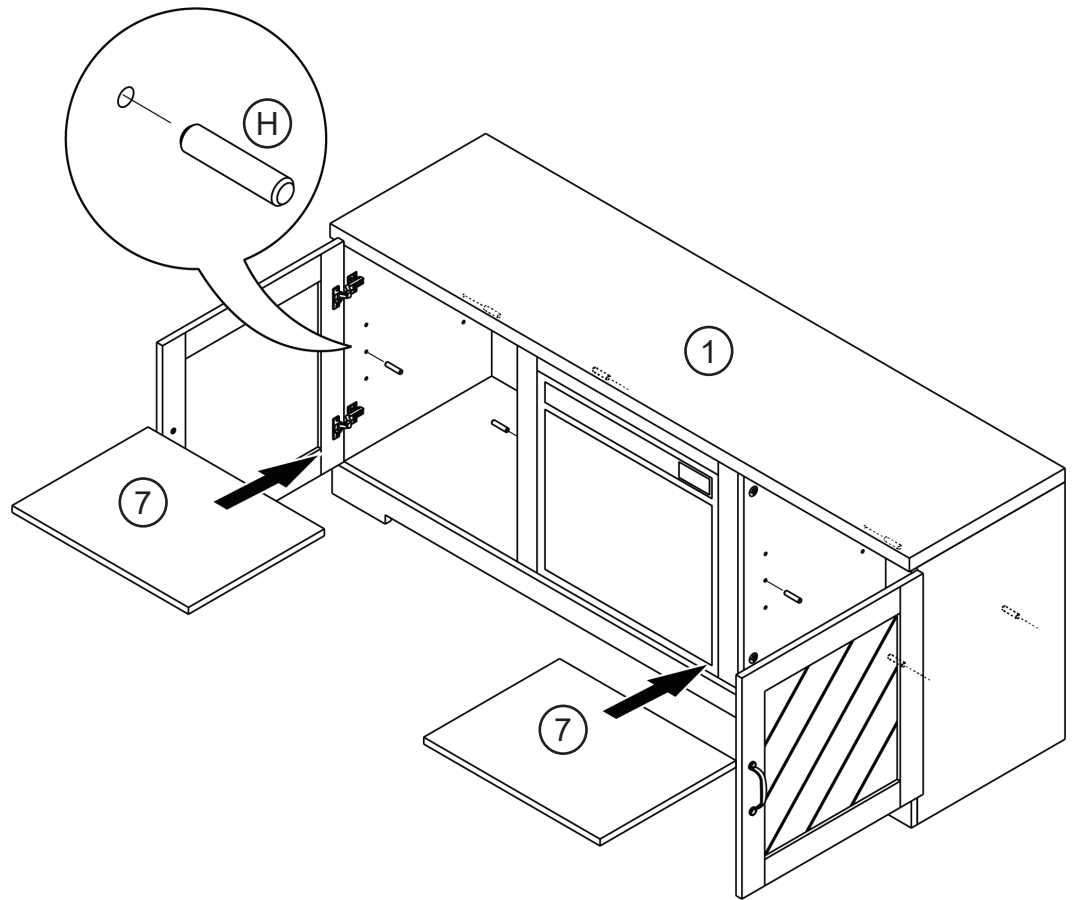
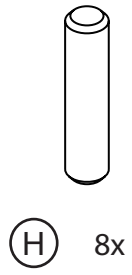
Up and down adjustment by loosening the screws on the mounting plate.

In and out adjustment by loosening the screws on the hinge arm.

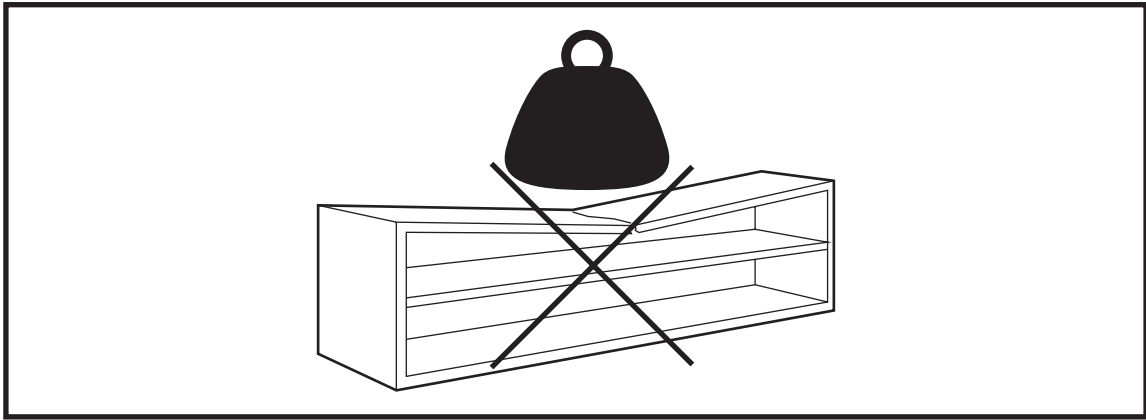
Side to side adjustment using the front adjustment screw on the hinge.

22

Insert shelf pegs into the TV stand and put on the storage shelf panel.



YOU'RE FINISHED!



Warning

Only place items on top of the product if they meet the recommended size and weight limits.

Climbing on, stepping on, or placing overweighted objects on the product may cause property damage and/or injuries.

Items placed onto this product must be resting on a support surface without hanging over the edges.

WARNING

For use with televisions weighing 70lbs (31.8kg) or less. Use with heavier televisions may result in instability, causing tip over resulting in death or serious injury.

Death or serious injury may occur when children climb on audio and/or video equipment furniture. A remote control or toys placed on the furnishing may encourage a child to climb on the furnishing and as a result the furnishing may tip over on to the child.

Relocating audio and/or video equipment to furniture not specifically designed to support audio and/or video equipment may result in death or serious injury due to the furnishing collapsing or over turning onto a child.

NOTICE

The recommended maximum width of the TV is 65 inches. Do not exceed the maximum load capacity.

This product is designed for flat panel TVs only.

FURNITURE CARE AND MAINTENANCE

Medium - Density Fiberboard

Thank you for your purchase. We want your item to last as long as possible. To ensure the product gives you years of longevity, please follow the recommendations in this care and maintenance guide.



MAINTENANCE

- Tighten all bolts and screws again within the first 2 weeks of assembly.
- Check the tightness of all bolts every 2 months and tighten them if necessary.



CLEANING

- Clean the surface of the MDF (medium - density fiberboard) with a lightly dampened cloth.
- A small amount of mild soap can be used if necessary.
- Dry the surface immediately after cleaning.

⚠ DO NOT use bleach or alcohol to clean the surface.

⚠ DO NOT apply wood treatment on parts made with MDF.

MDF will swell and distort when exposed to water damage. Make sure to dry the furniture immediately after cleaning.

⚠ WARNING

The manufacturer and seller are not responsible for any and all liability relating to personal injury, property damage or losses, whether direct, indirect, or incidental, resulting from the incorrect attachment, improper use, inadequate maintenance, unapproved modification or neglect of this product.

WARRANTY

Our products come with a 1-year warranty from the date of delivery. **Register your product on our website to enjoy our limited lifetime warranty!**

AFTER-SALE SERVICE



Encounter any difficulties or missing parts?



Contact us or email us



We will send you replacement.



Hassle free!
No need to worry about repackaging and sending your item back.