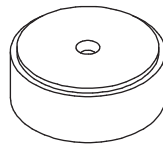
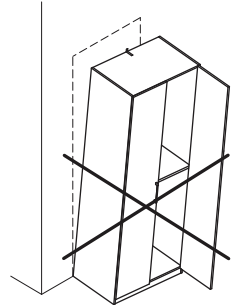
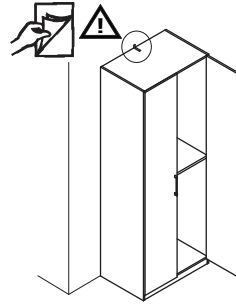
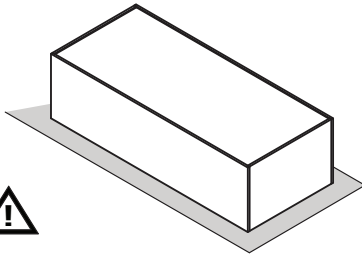
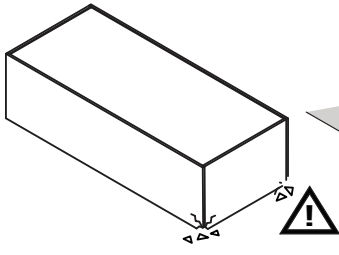
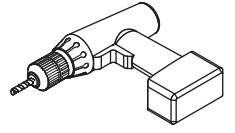
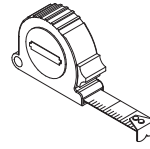
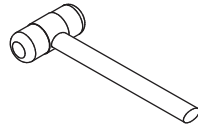
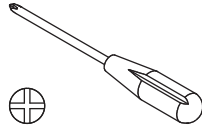
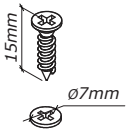




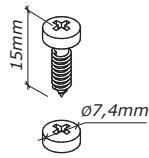
1h



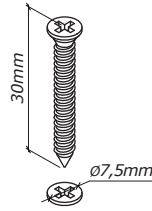
P5
x4



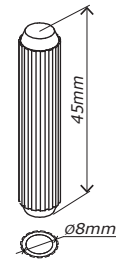
V5
x18



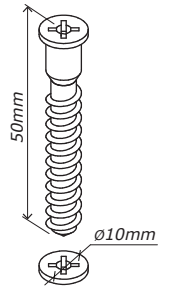
V81
x2



V9
x4



H325
x12



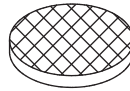
V45
x4



T7
x8



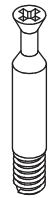
H2
x18



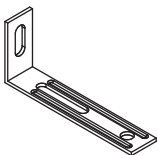
H139
x4



R40
x12



T28
x8



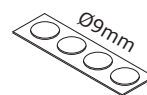
H185
x1



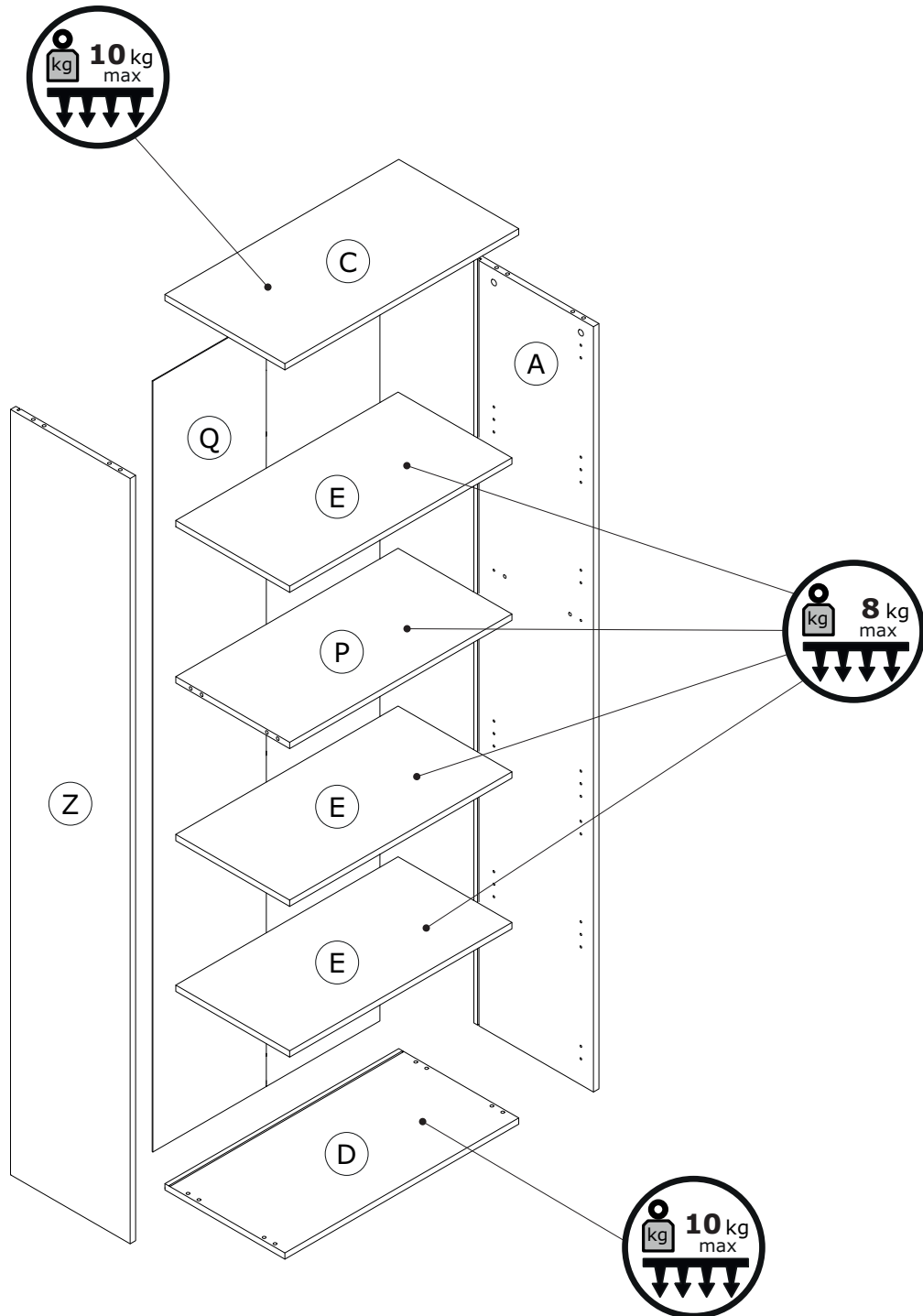
H129
x2

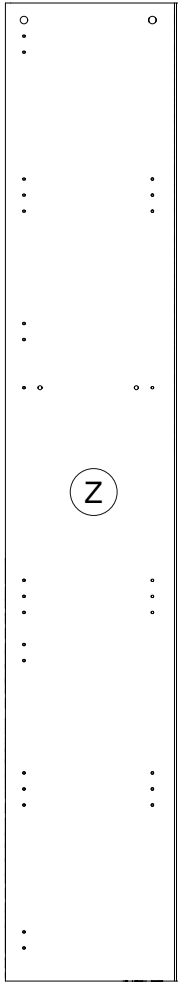


G161
x4

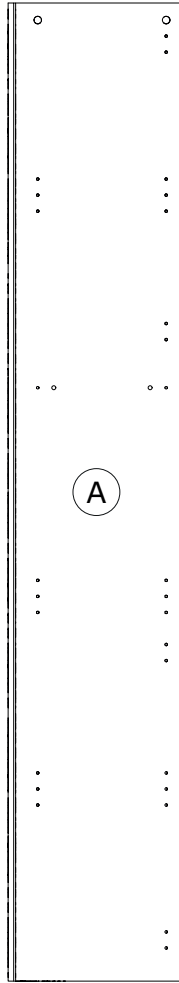


G183
x16

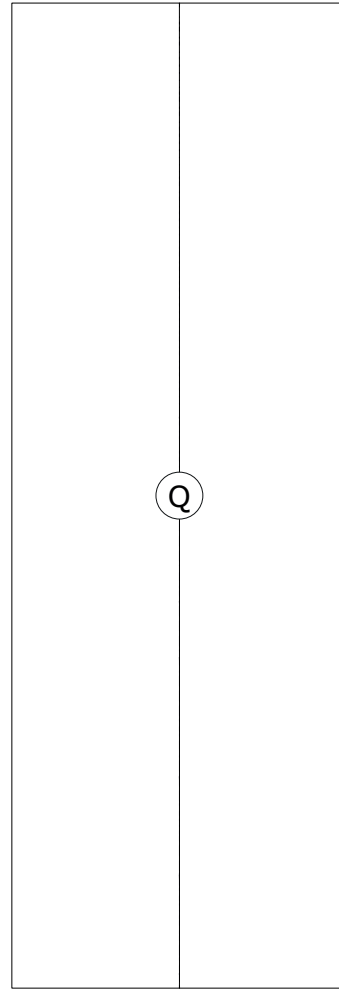




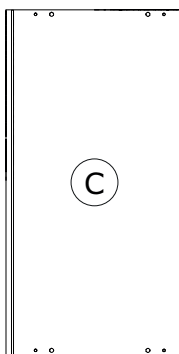
FI9137
1950x352x16mm



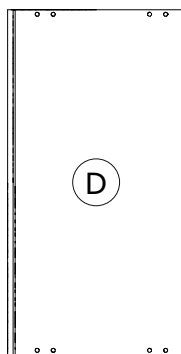
FI9136
1950x352x16mm



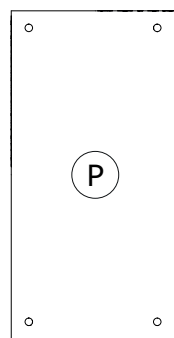
SH3621
1964x668x2mm



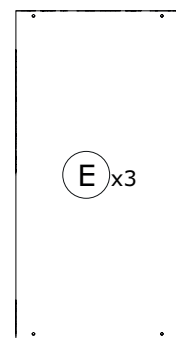
CA3812
688x353x16mm



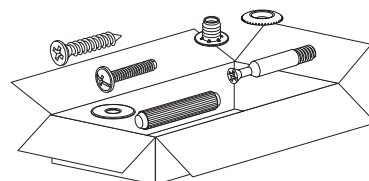
BA2338
688x353x16mm



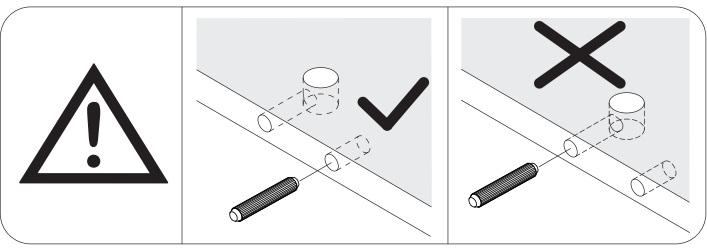
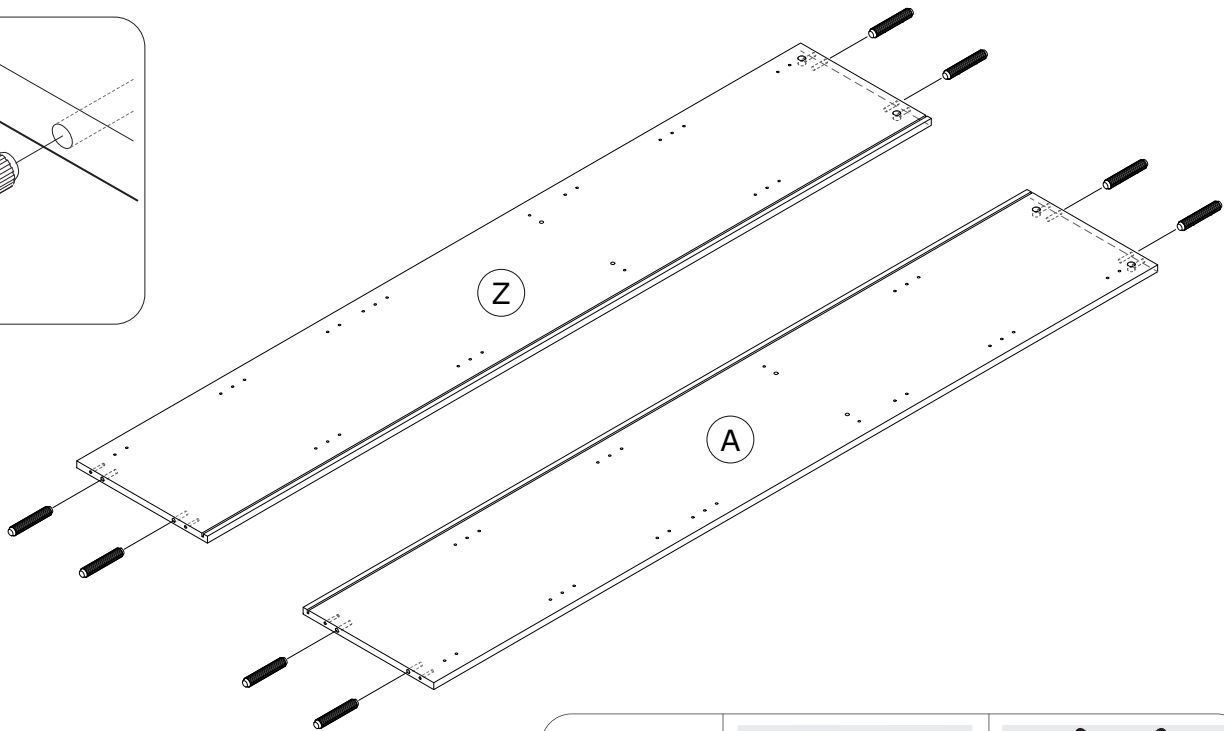
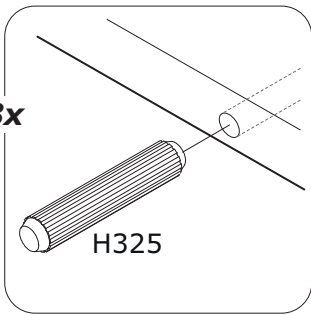
PI7448
654x335x16mm



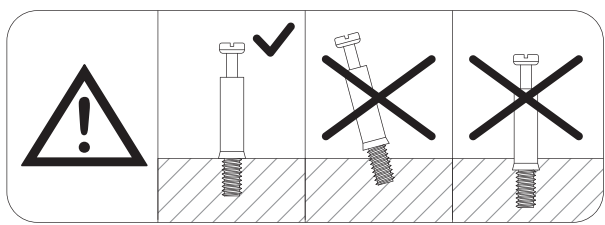
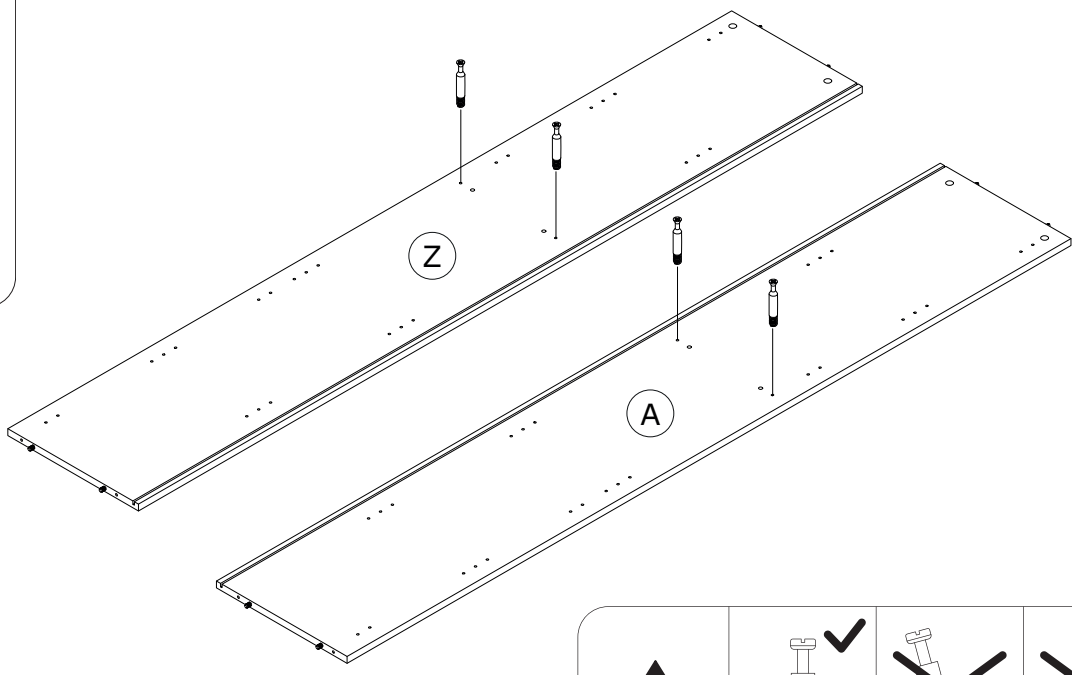
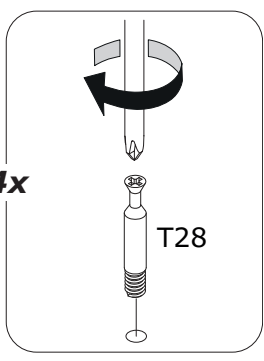
PI7447
654x335x16mm



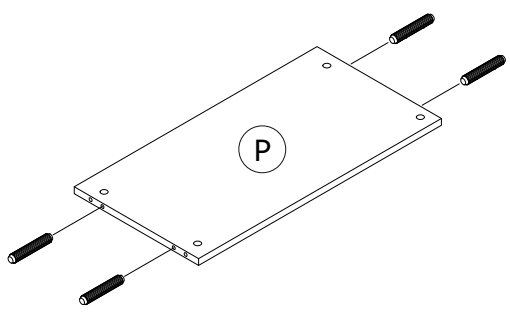
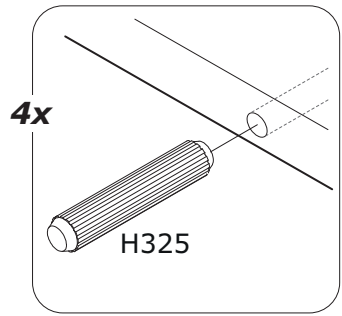
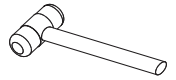
1



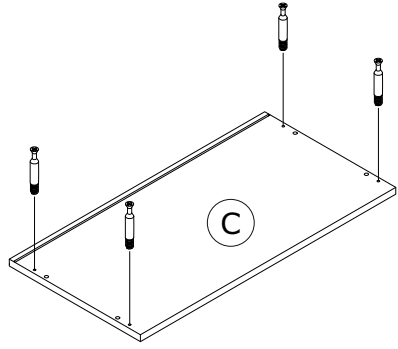
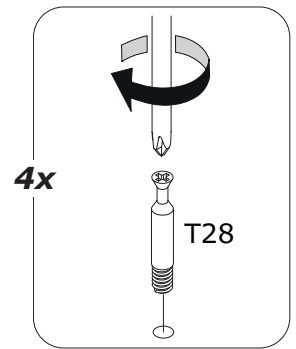
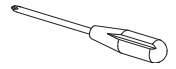
2



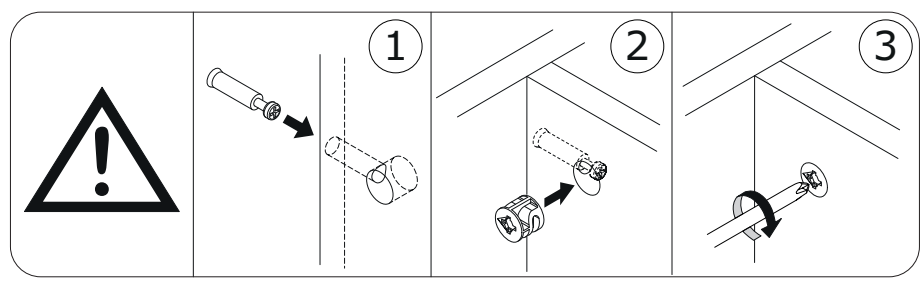
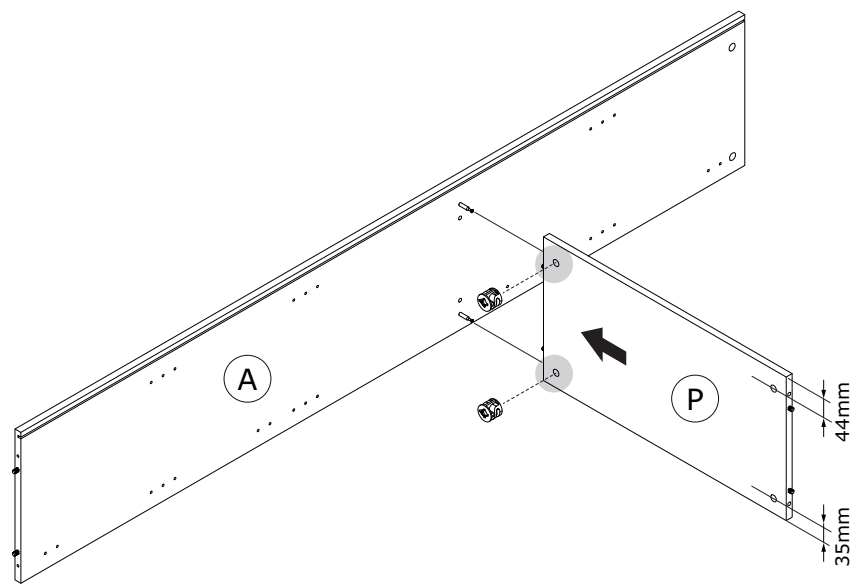
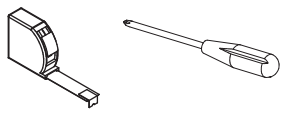
3



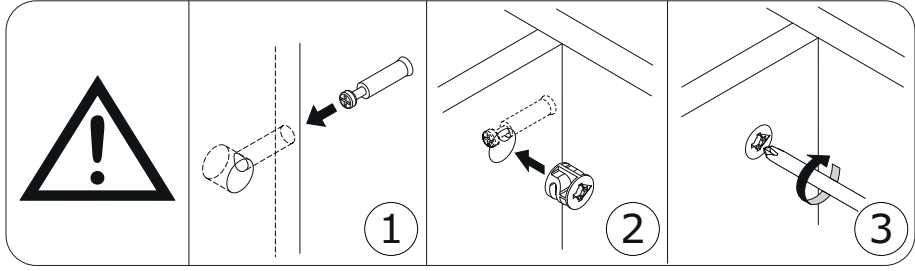
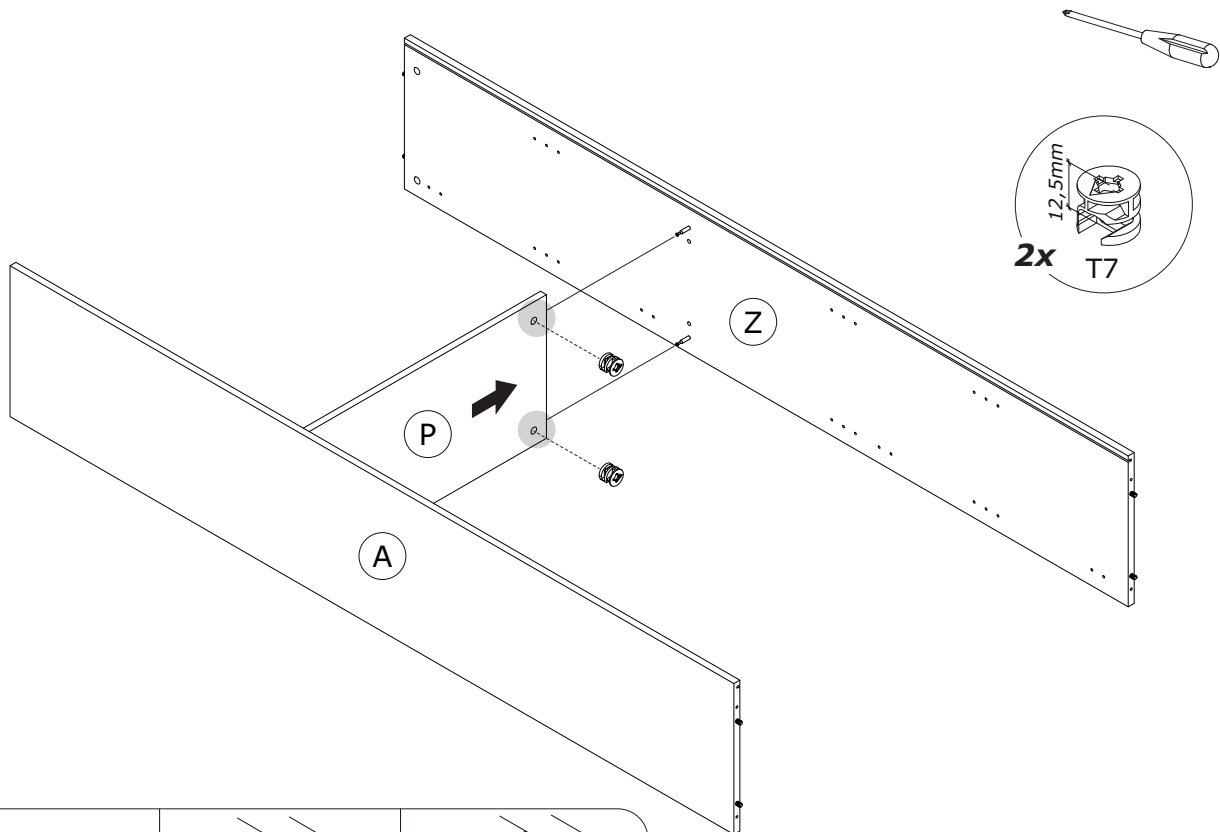
4



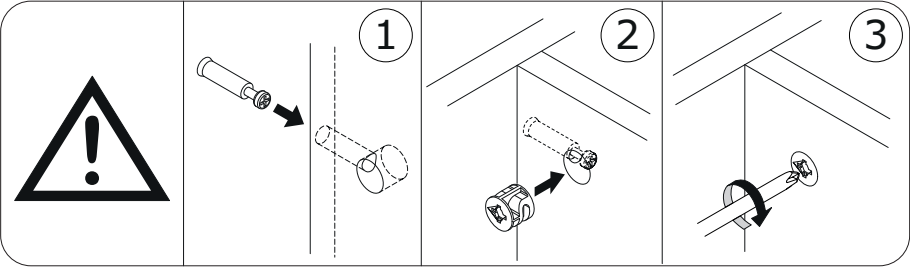
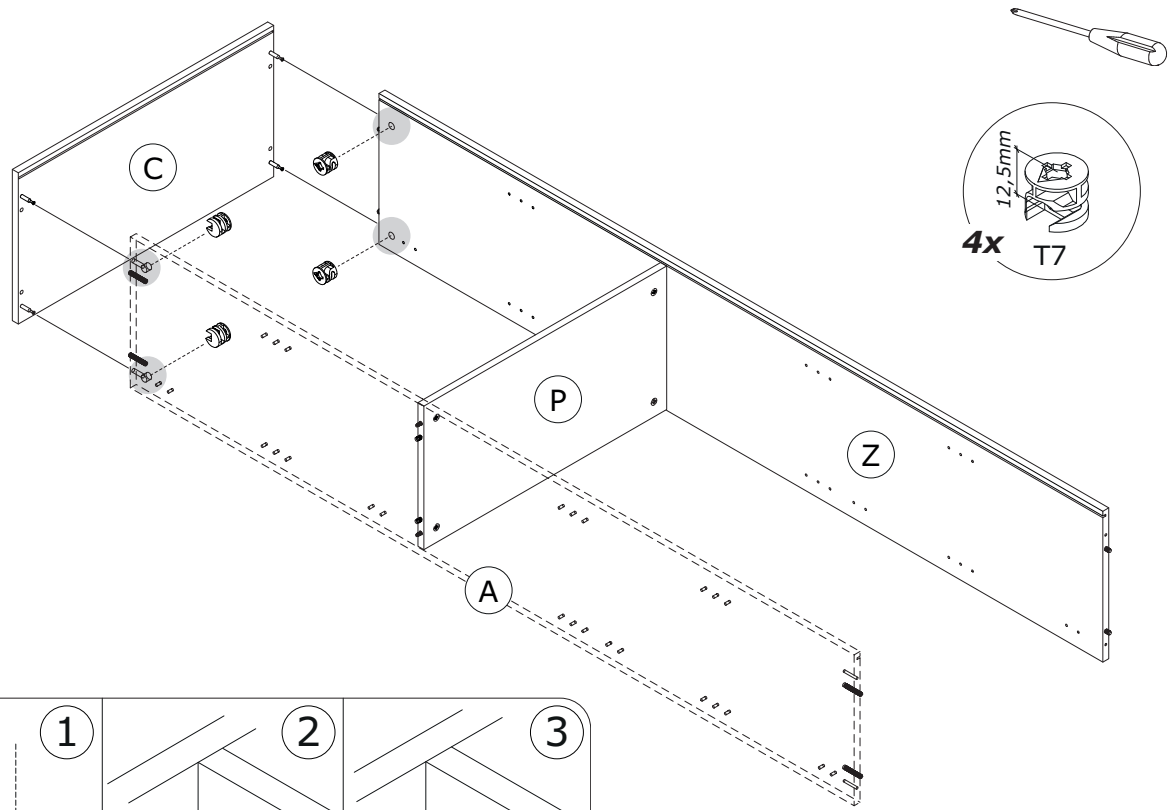
5



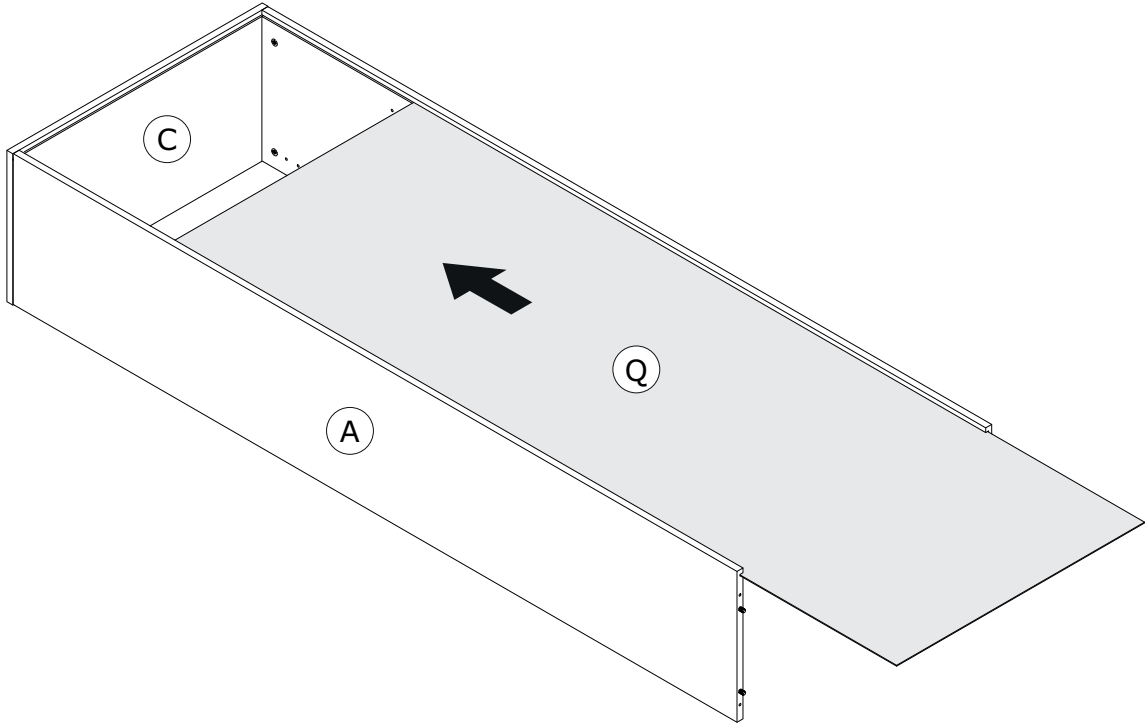
6



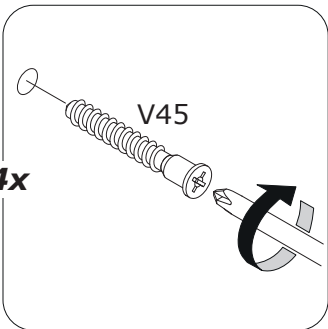
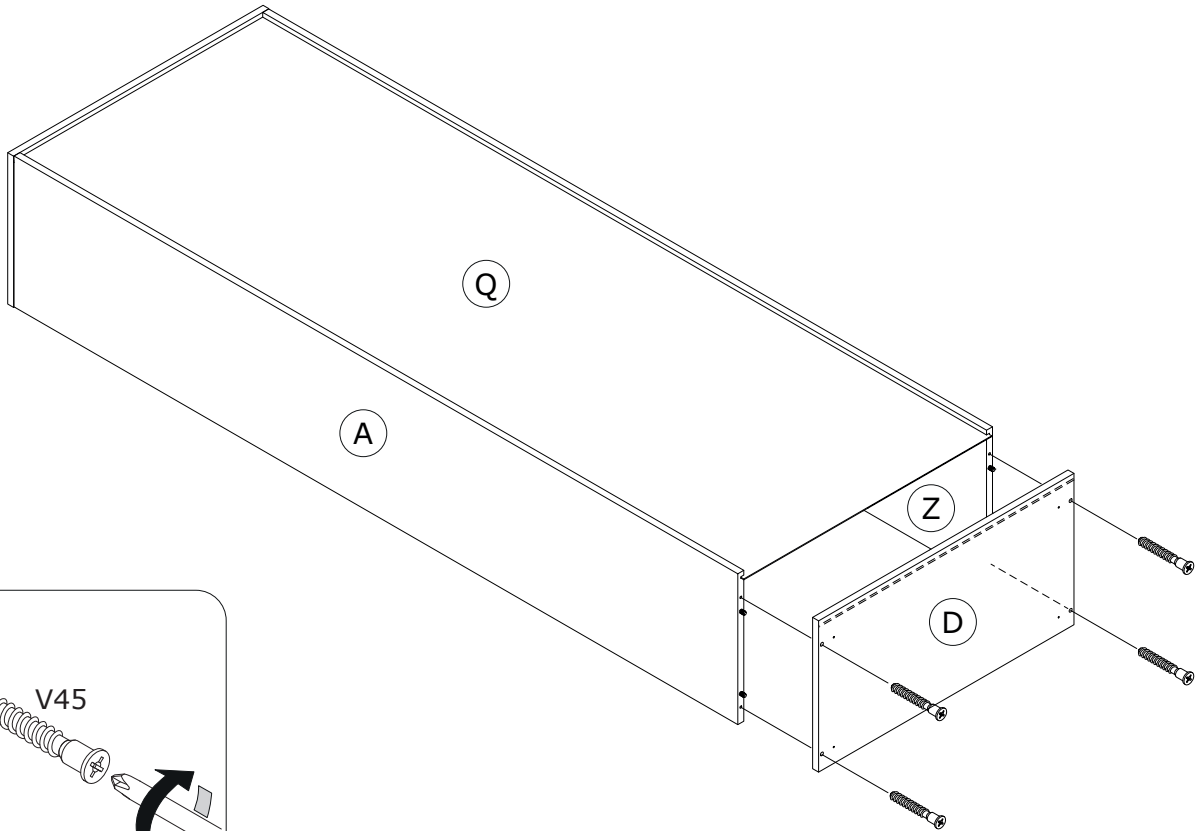
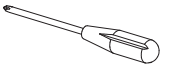
7



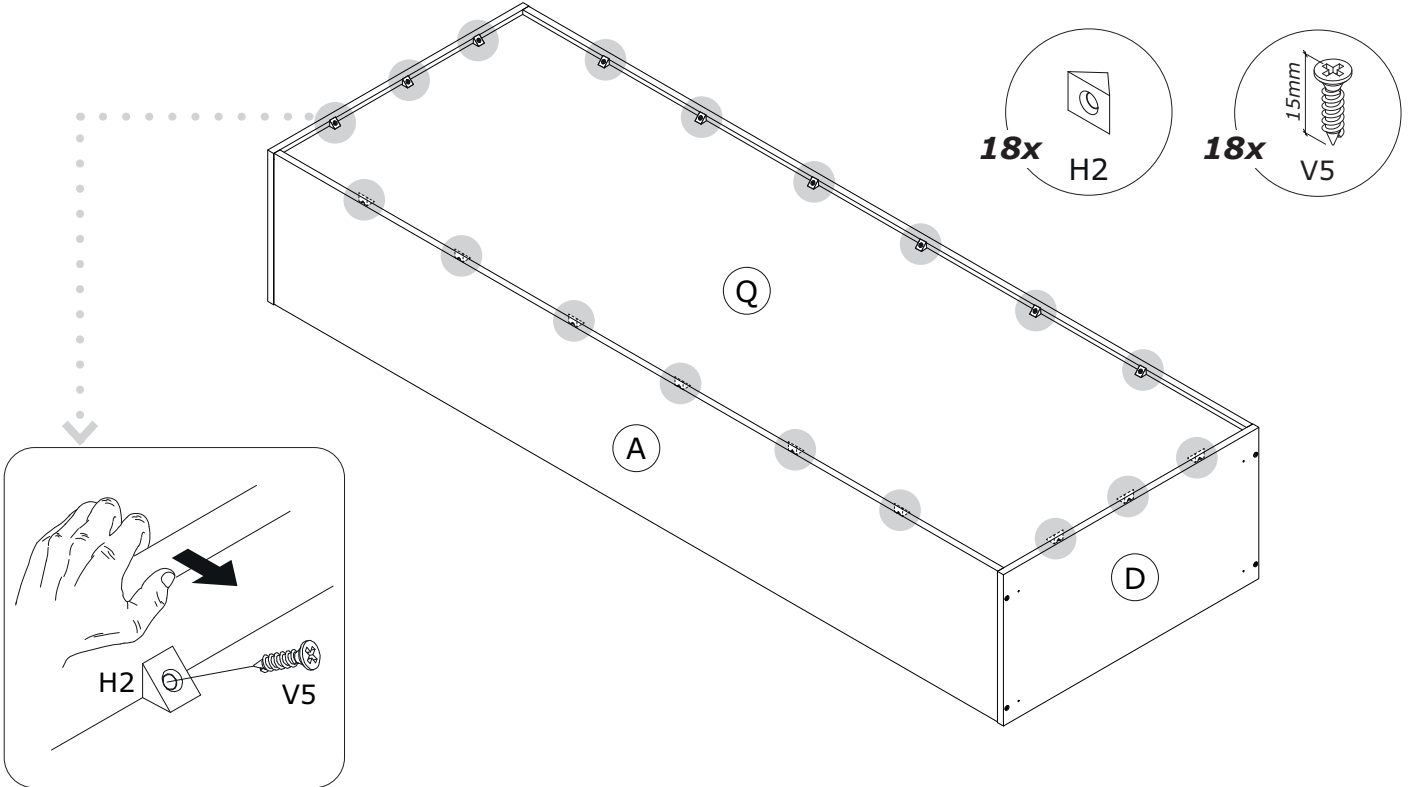
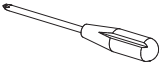
8



9



10



11

