

ASSEMBLY INSTRUCTIONS

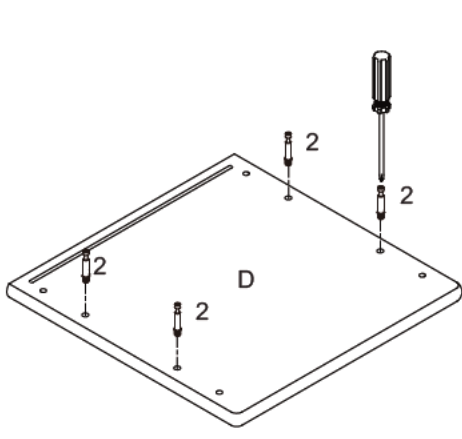
<<Before assembling, read all the instructions>>

Components:

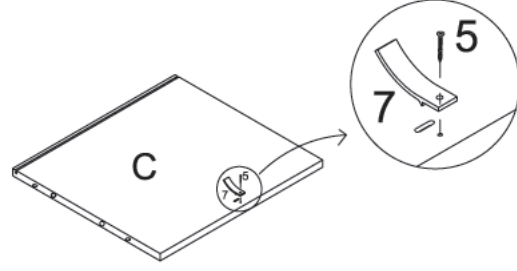
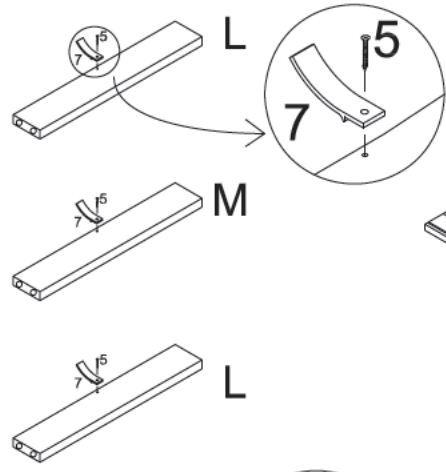
| Letter | Draw | Number |
|--------|------|--------|
| A | | 1pc |
| B | | 1pc |
| C | | 1pc |
| D | | 1pc |
| E | | 1pc |
| F | | 1pc |
| G-K | | 4sets |
| L | | 2 pcs |
| M | | 1 pc |
| N | | 8 pcs |

Hardware:

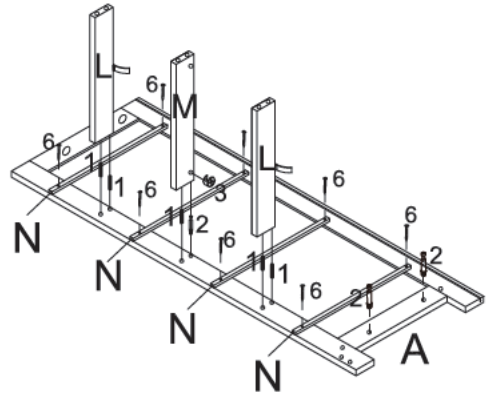
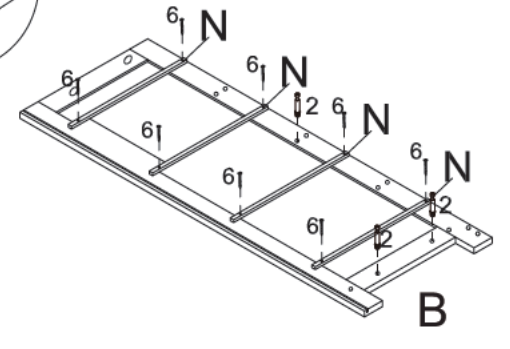
| Letter | Draw | Number |
|--------|------|-----------------|
| 1 | | 24pcs |
| 2 | | 10pcs |
| 3 | | 10 pcs |
| 4 | | 32pcs 3x25mm |
| 5 | | 4pcs |
| 6 | | 16pcs 3x15mm |
| 7 | | 4 pcs 3x10mm |



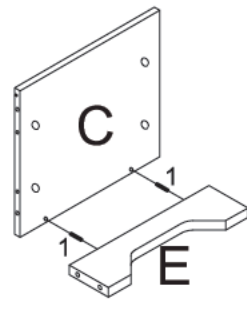
Step 1



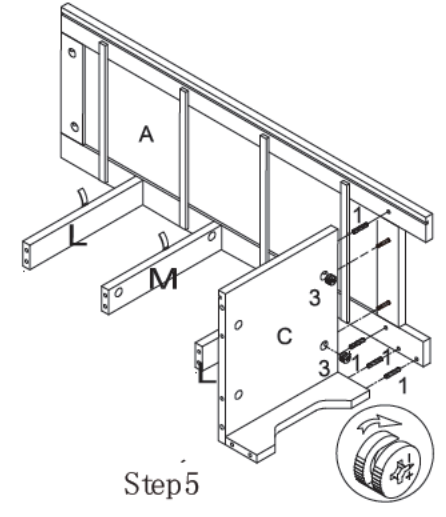
Step 2



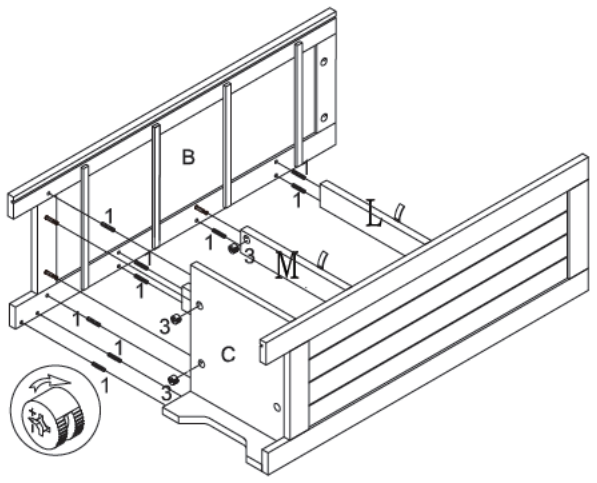
Step 3



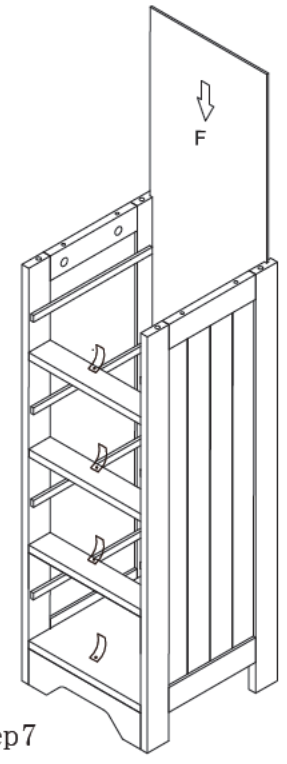
Step 4



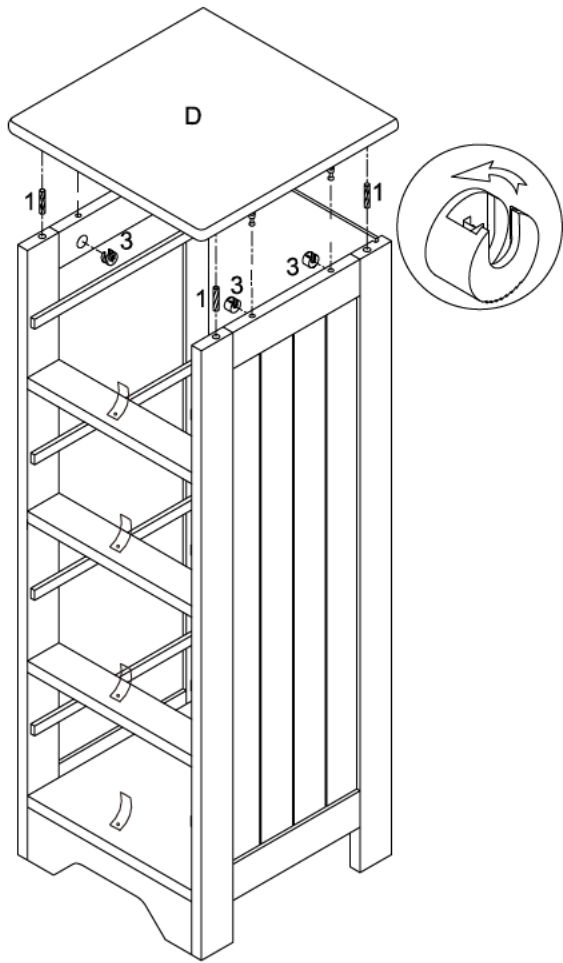
Step 5



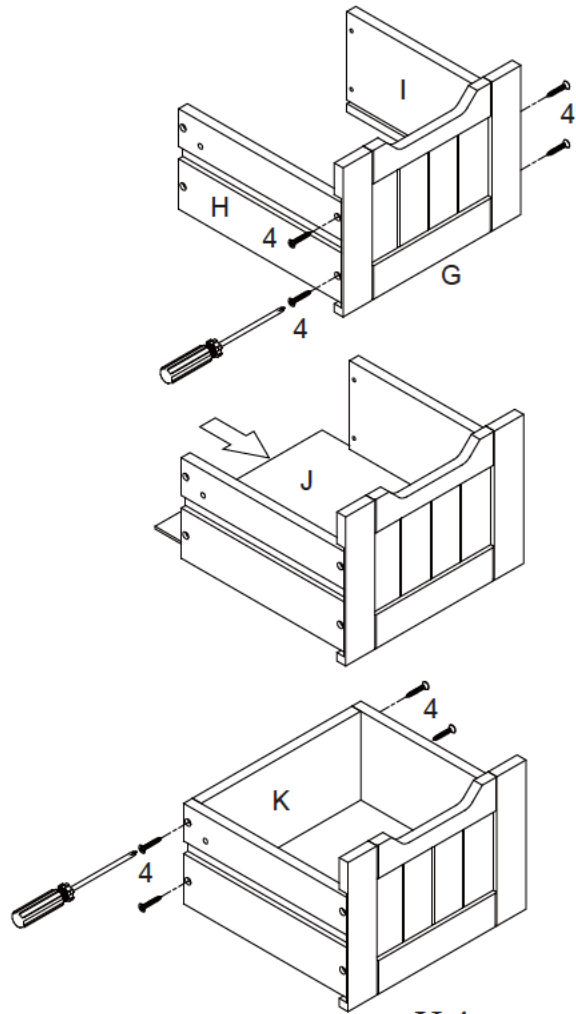
Step 6



Step 7

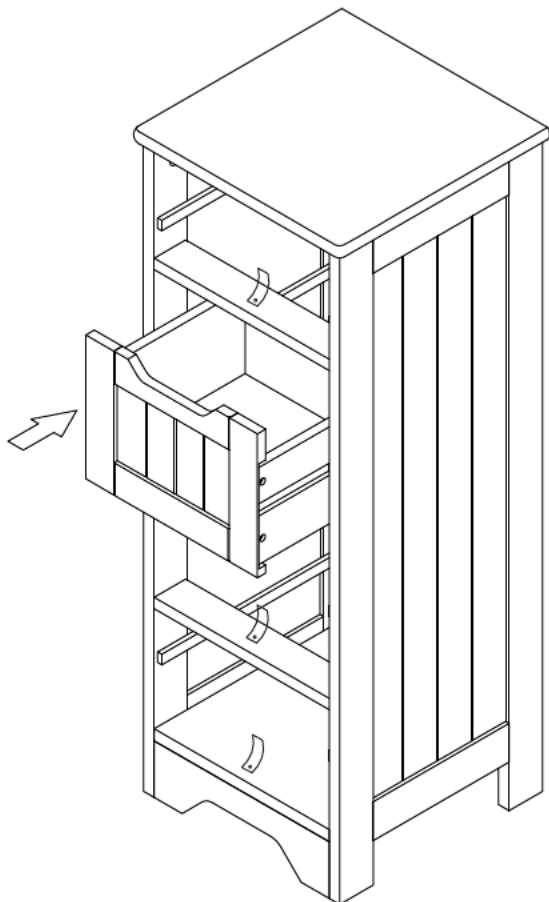


Step 8

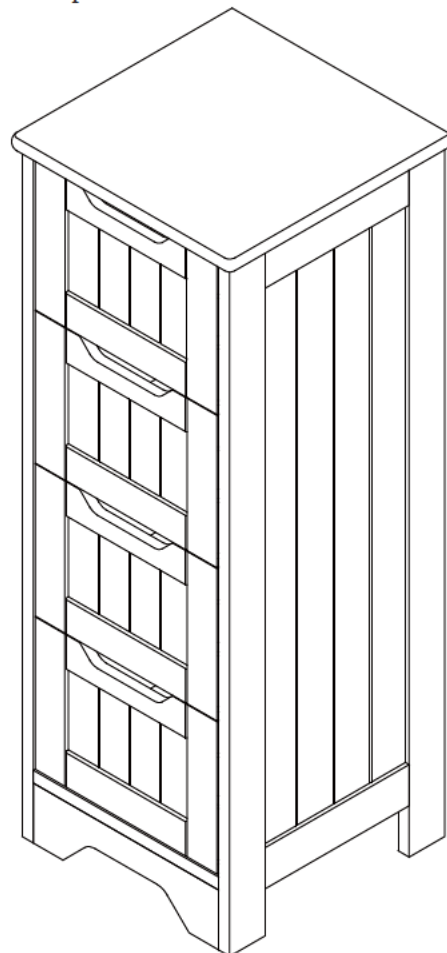


Step 9

X4



Step 10



Complete