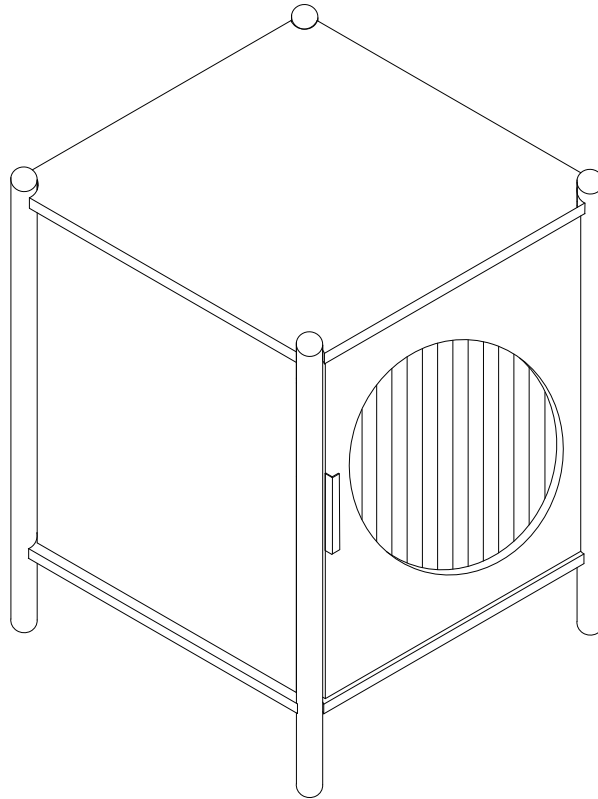


Installation Instruction



Product name

1 Door Cabinet

Ver.1.0 20220512

Assembling

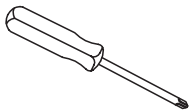
Estimated time for assembly



30:00

What you need

- Use the packaging carton as a working surface to prevent product damage during assembly
- Phillips head screwdriver



Weight Limitation



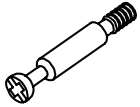
44 | **22**
lbs table top | lbs per shelf

What's included

Code	Description	Qty
A	Cam Bolt M6X35MM	4
B	Cam Lock 15X9MM	4
C	Handle	1
D	Screw M3x14MM	7
E	Magnetic Door Catcher	1
F	Metal Plate	1
G	Metal Pin	2
H	Pads	4
I	Wooden Dowel M6x30MM	8
J	Screw M4x30MM	4
K	Screw M3.5x12MM	2
L	Plastic Corner Support	4
M	Metal Support	4

The Hardware

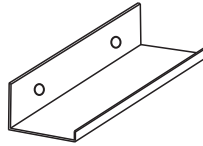
A



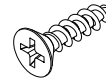
B



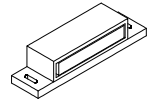
C



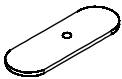
D



E



F



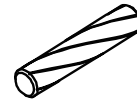
G



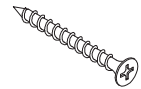
H



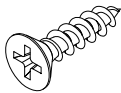
I



J



K



L



M



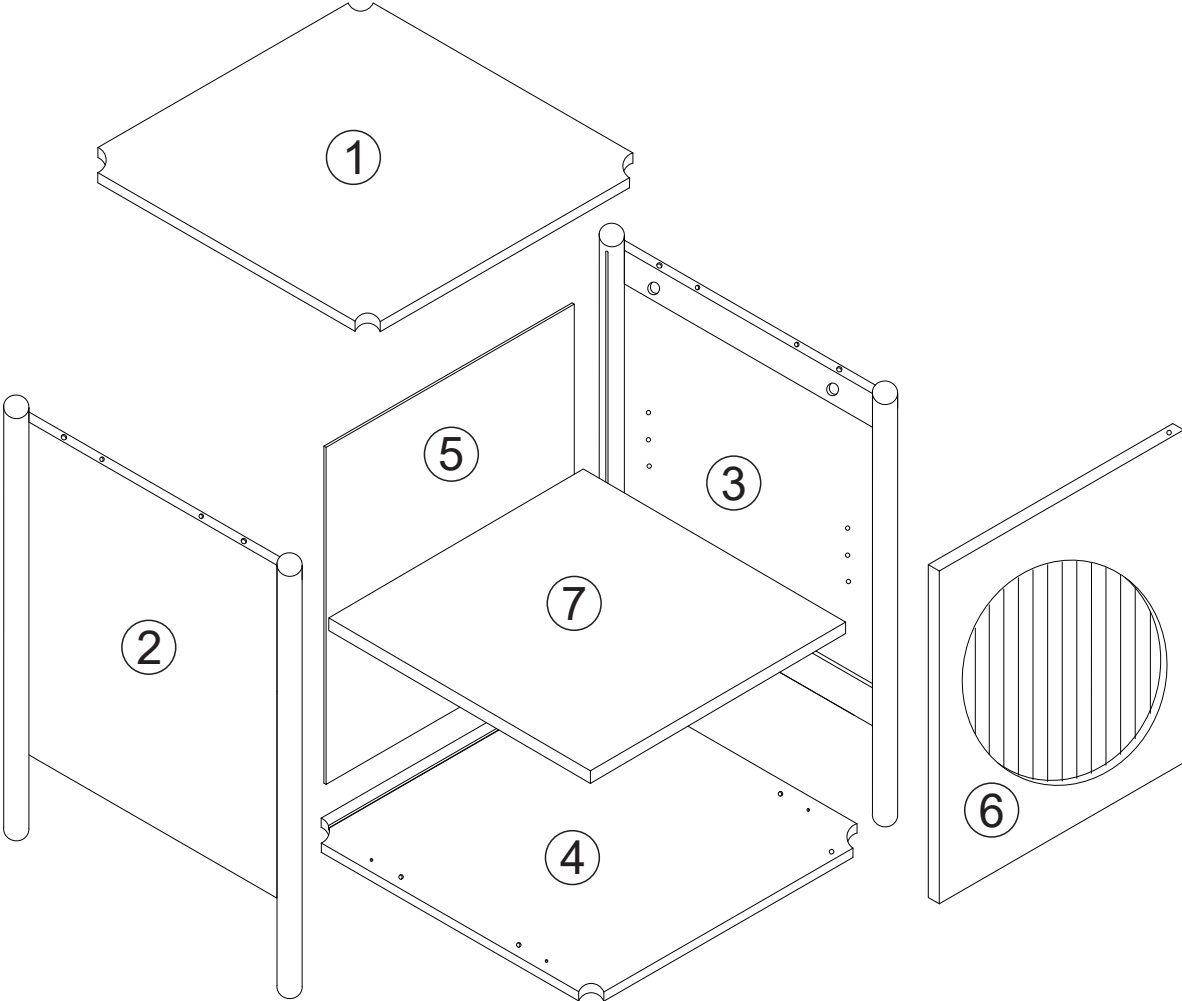
IMPORTANT:

1. Do not tighten bolts / screws completely until all bolts / screws are lined up and inserted into holes.
2. Do not over tighten screws and bolts to avoid stripping.
3. Please use hand tools to assemble this product. Do not use power tools.

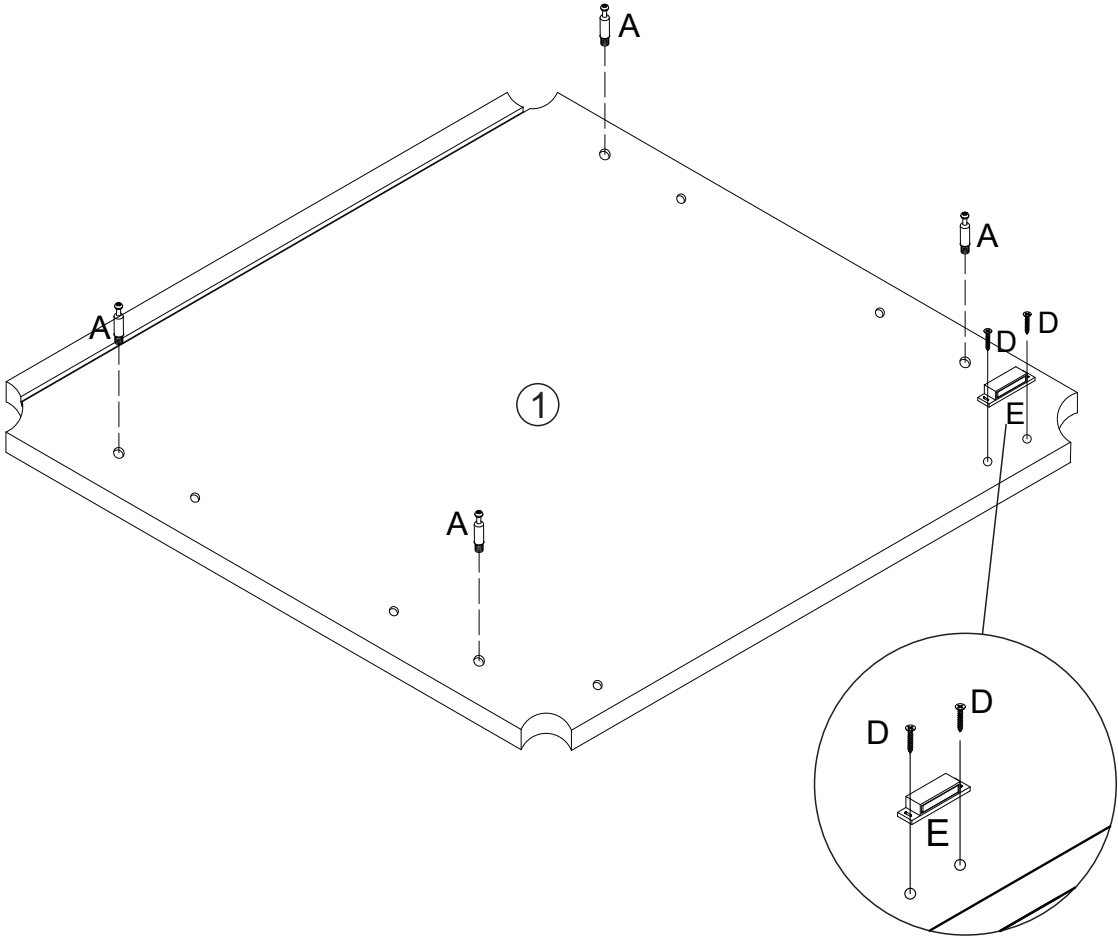
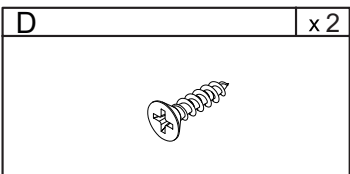
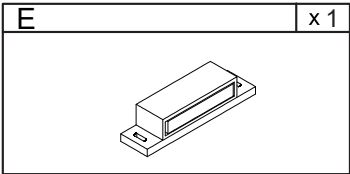
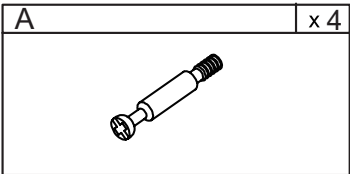
Included Accessories

Code	Description	Qty
1	Cabinet Top	1
2	Left Side Panel	1
3	Right Side Panel	1
4	Bottom Panel	1
5	Back Panel	1
6	Door	1
7	Shelf	1

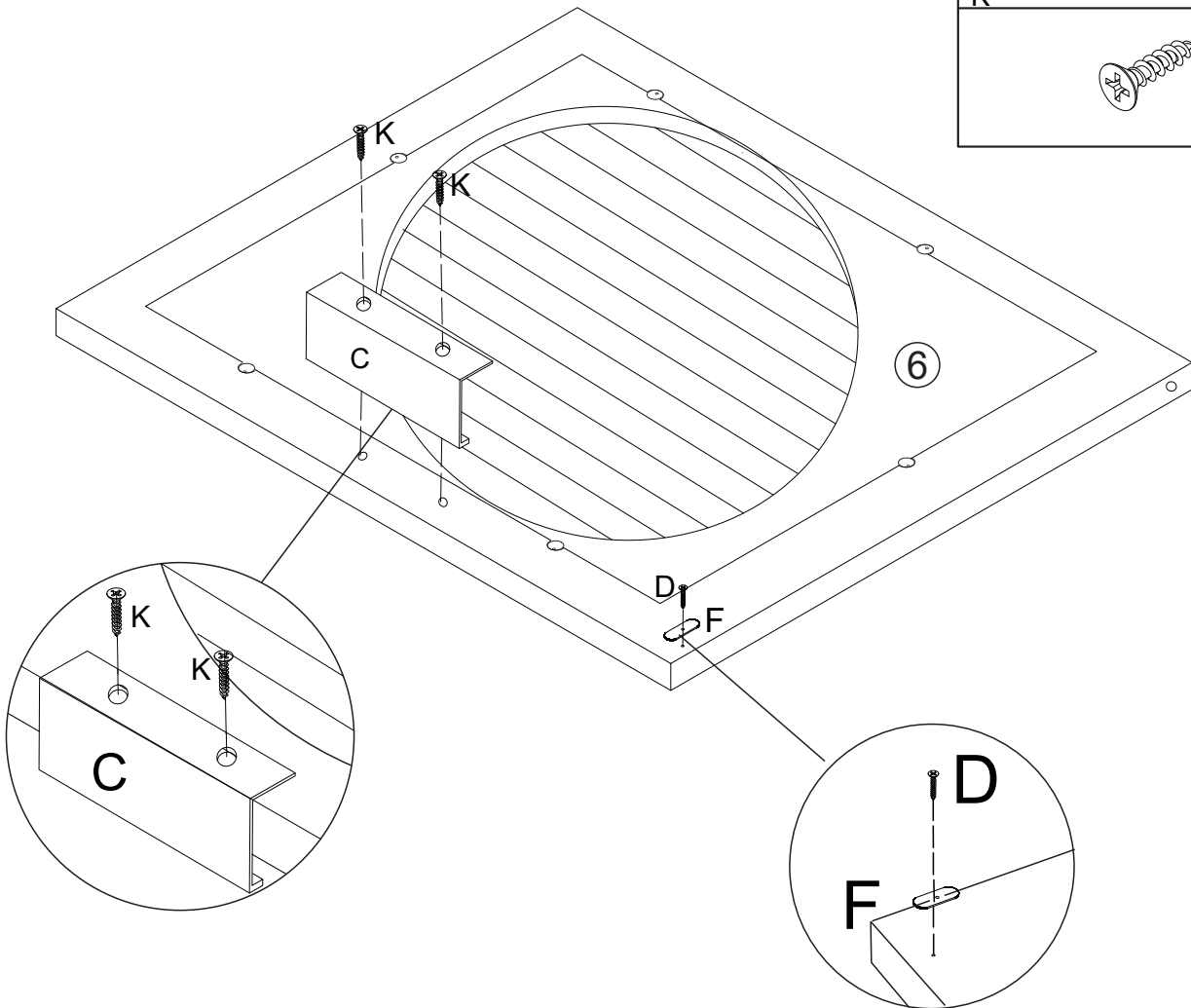
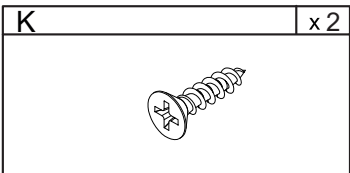
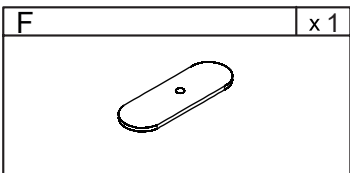
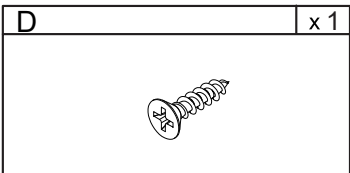
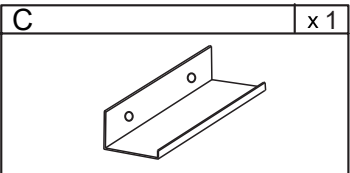
The Accessoriess



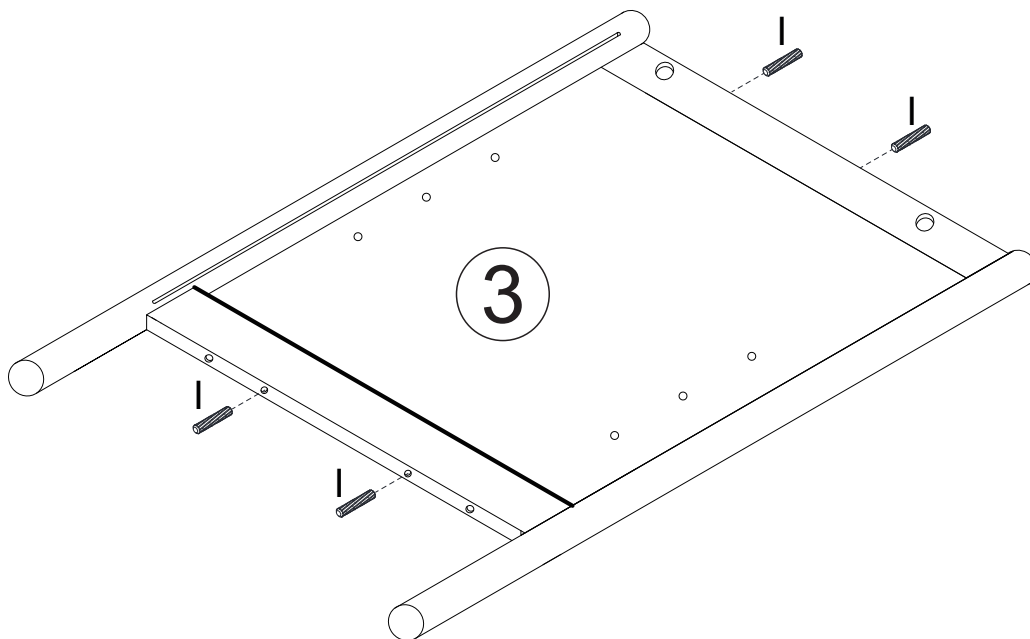
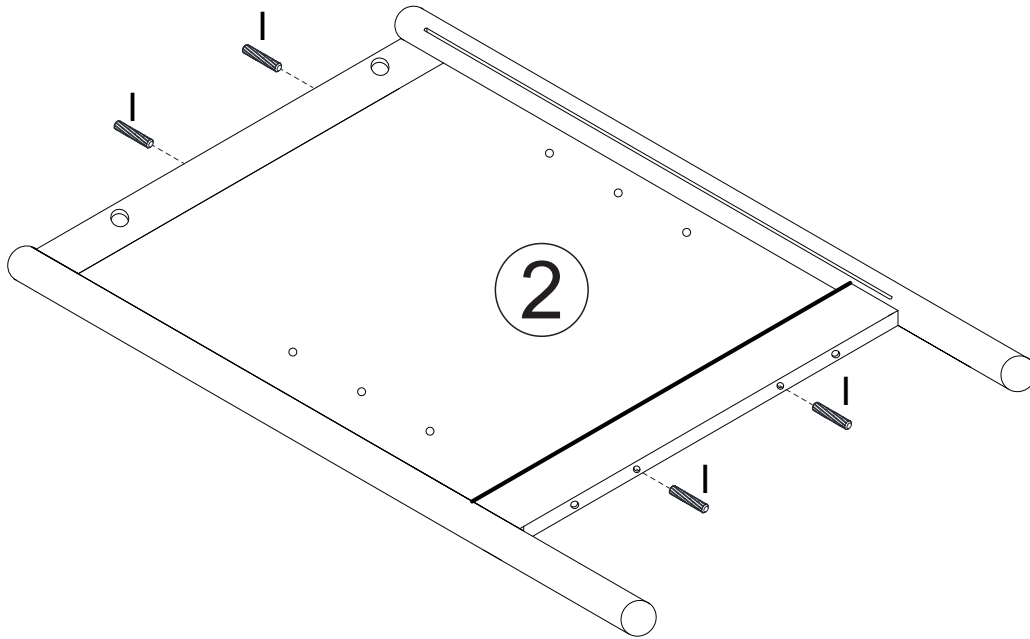
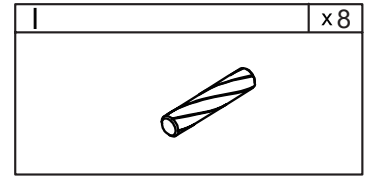
Step 1



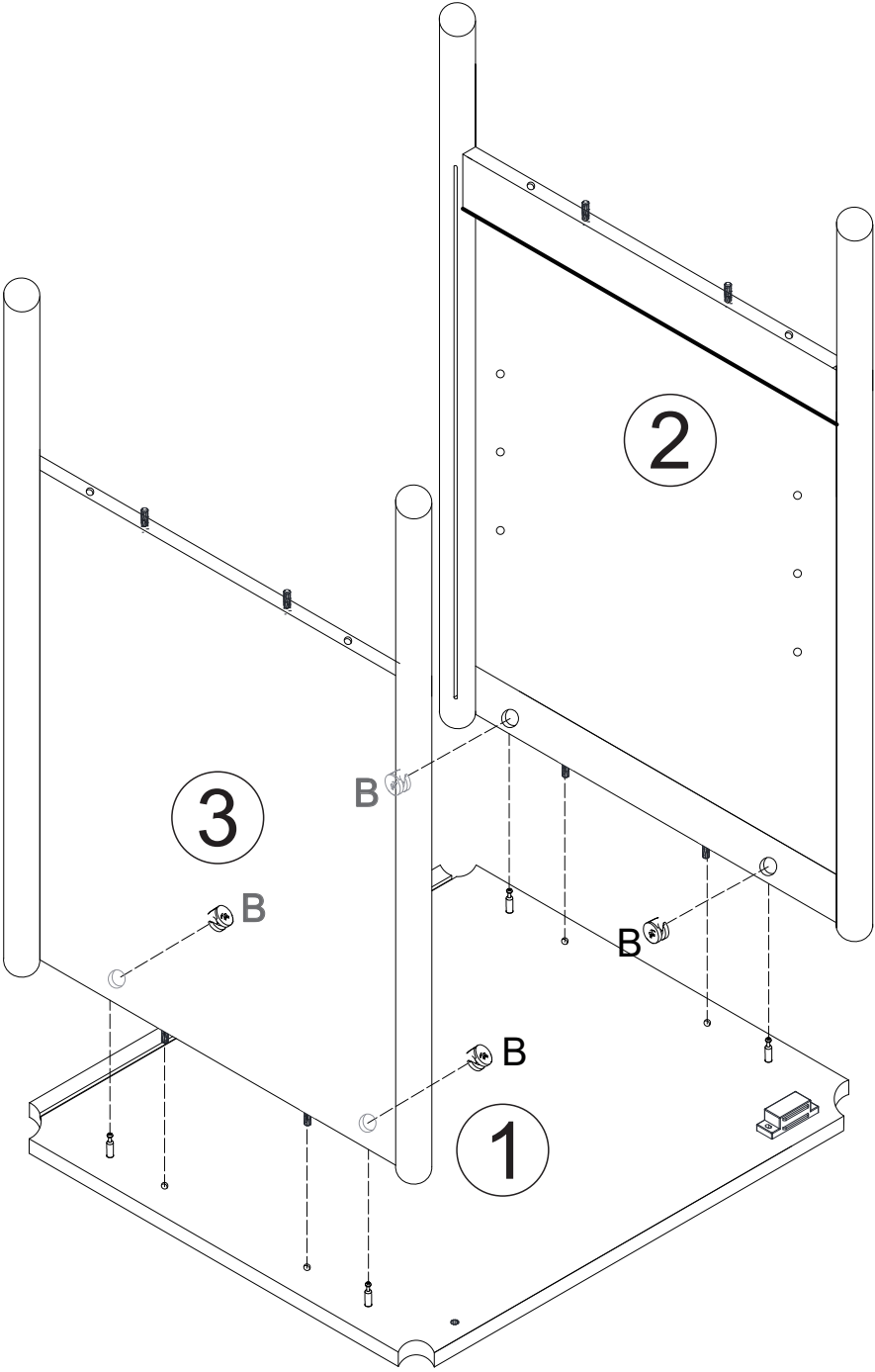
Step 2



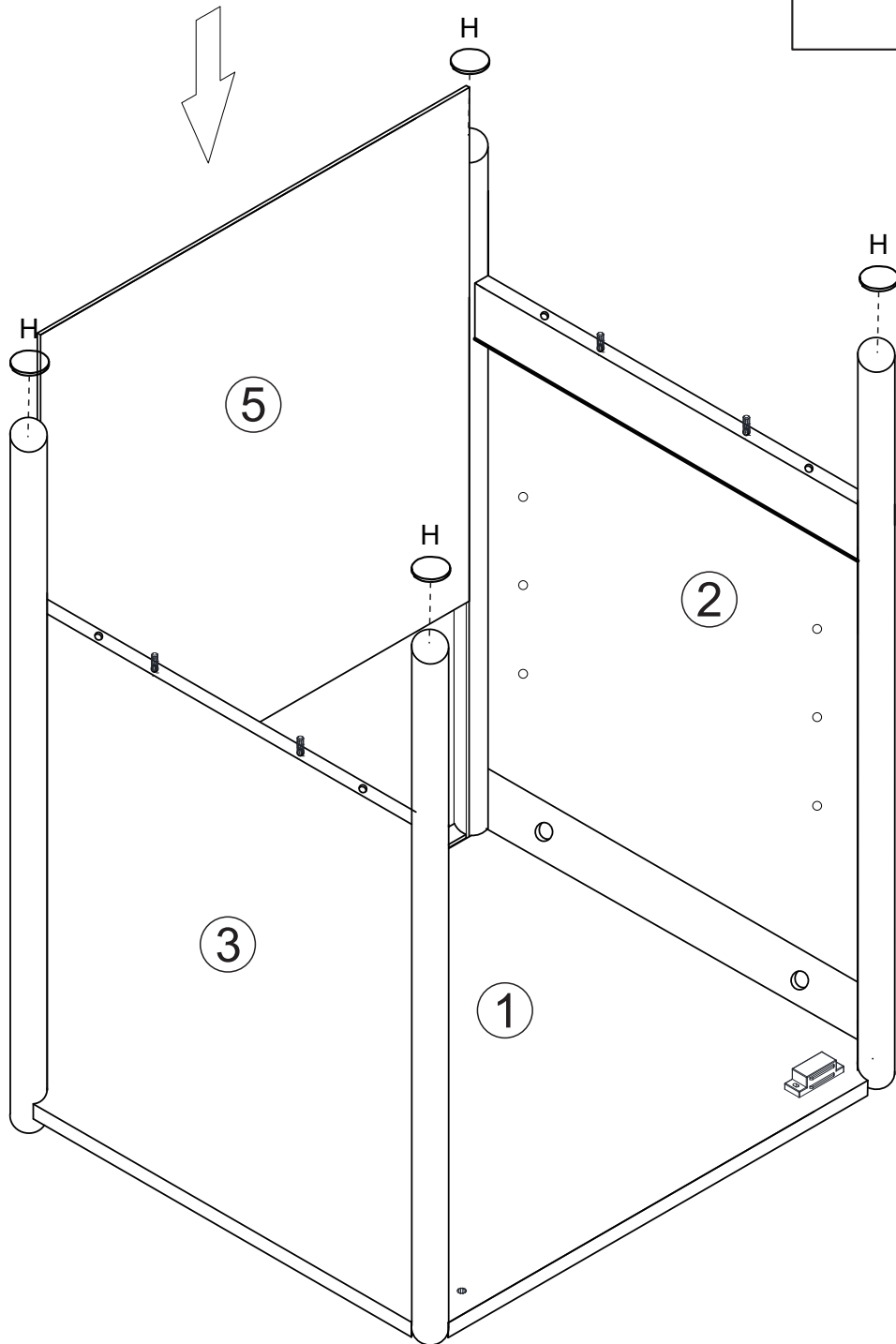
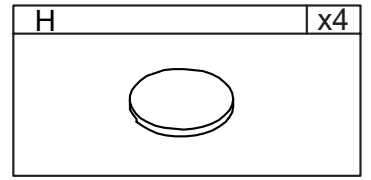
Step 3



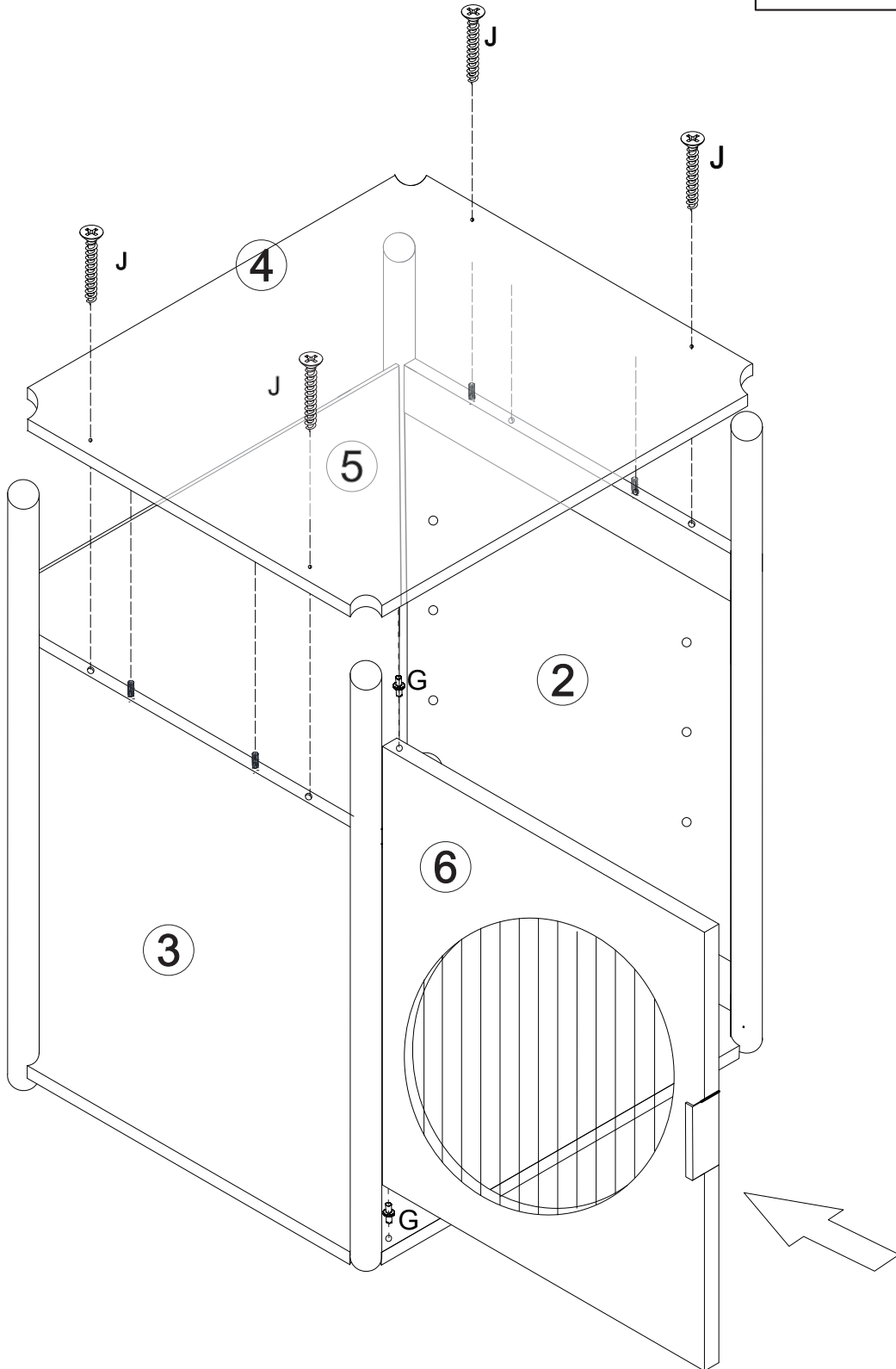
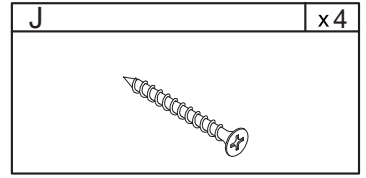
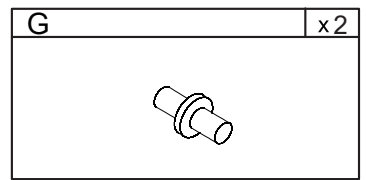
Step 4



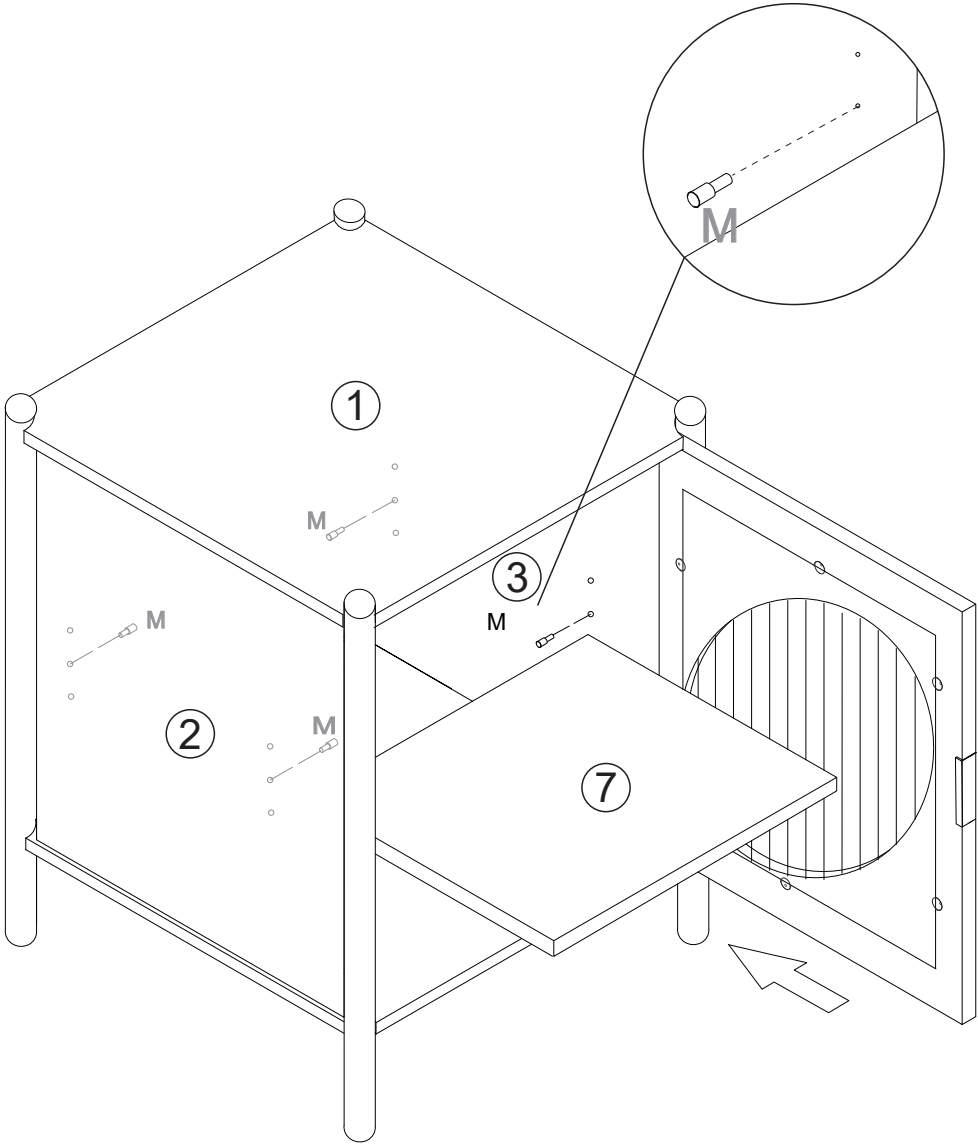
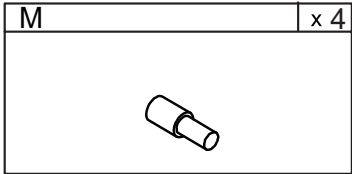
Step 5



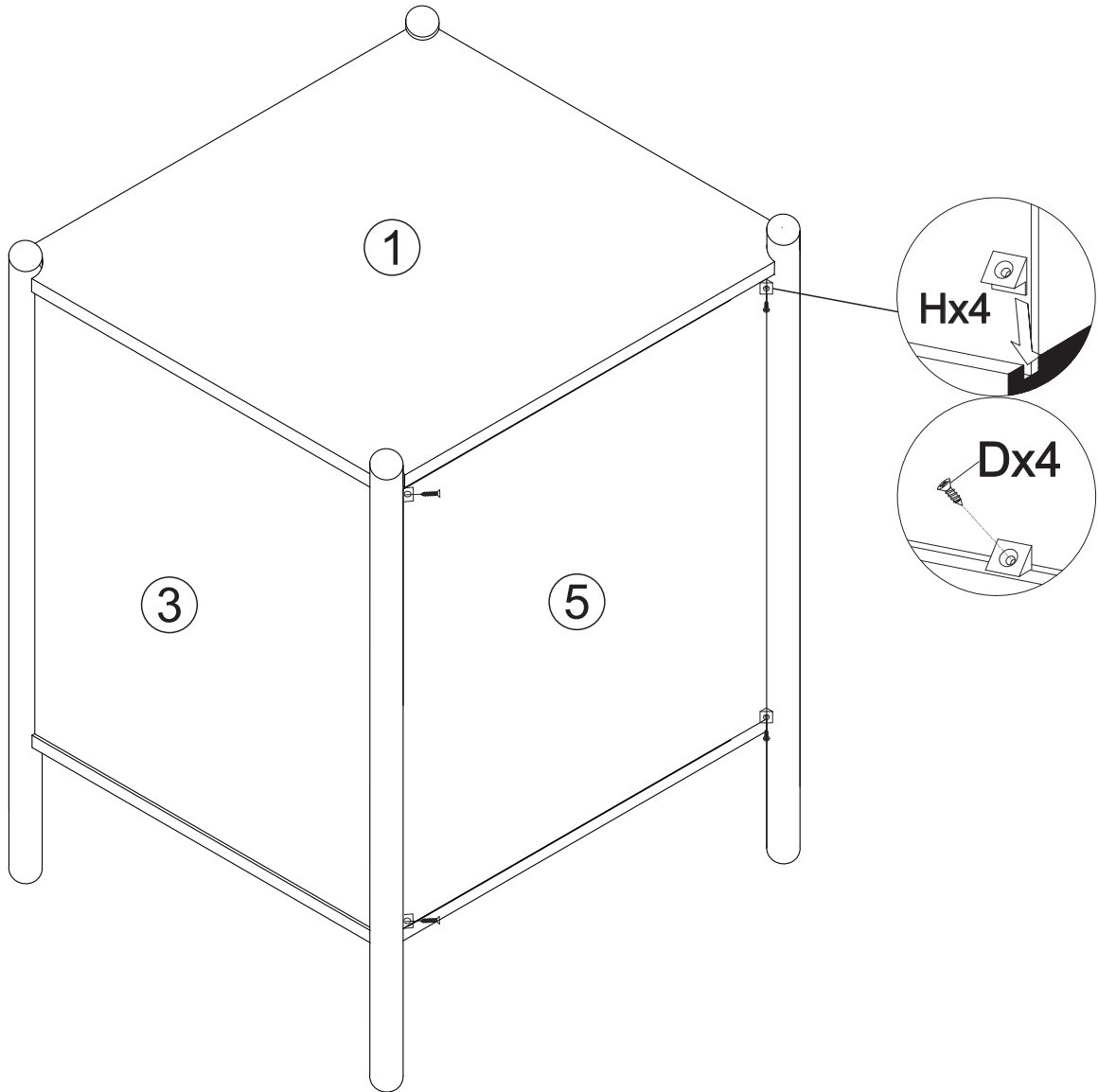
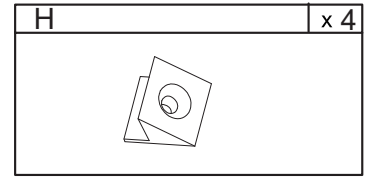
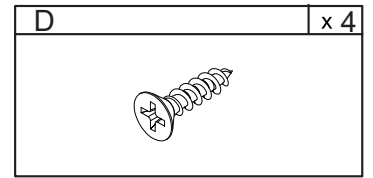
Step 6



Step 7



Step 8



Proper Use

- DO NOT use for commercial purposes
- DO NOT use as a step stool or stand on table
- DO NOT put hot serving liquid directly on the table top
- DO NOT leave spilled liquid on the table top
- DO NOT use table if damaged
- DO NOT exceed weight limit
- DO NOT make temporary repairs
- DO NOT use outdoor