


# ASSEMBLING INSTRUCTION

 **Ax4**  
M6\*18mm

 **Bx1**

 **Cx1**

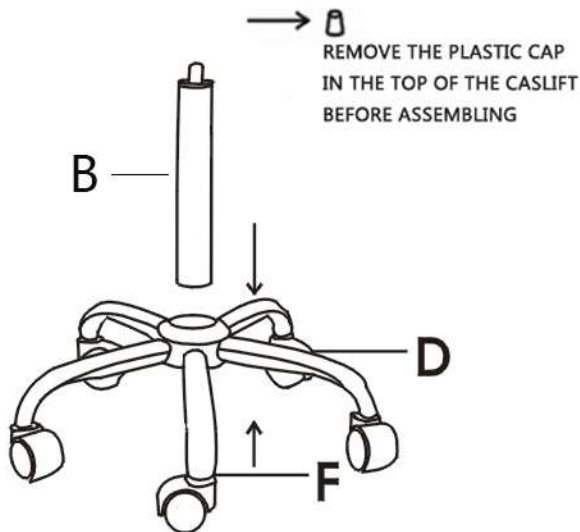
 **Dx1**

 **Ex1**

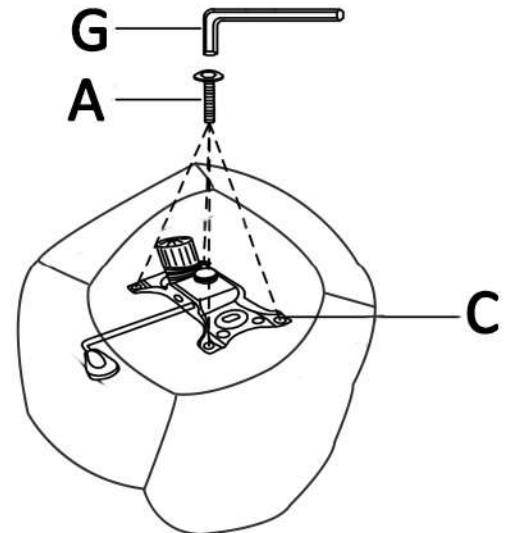
 **Fx5**

 **Gx1**

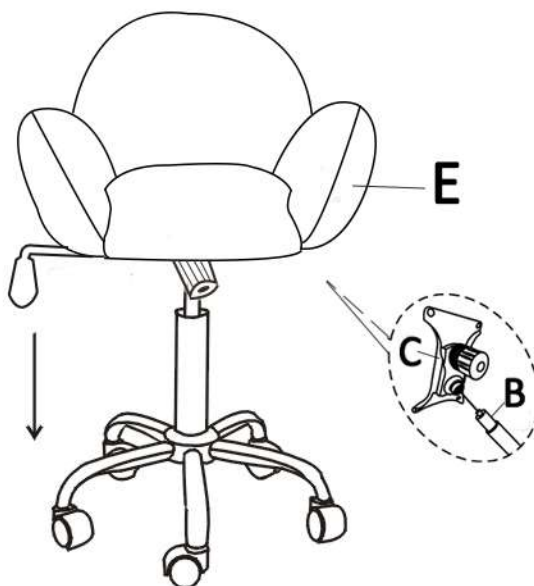
1



2



3



4

