

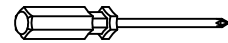
ASSEMBLY INSTRUCTIONS

MODEL #

CM6964

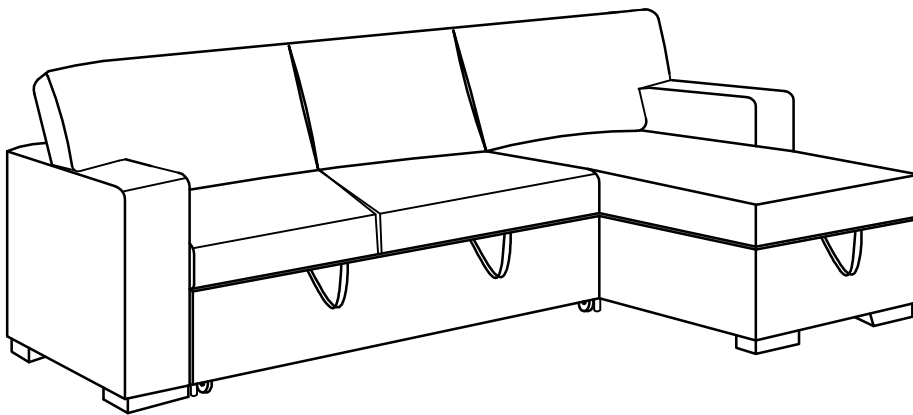
Questions?

TOOLS REQUIRED



Phillips Screwdriver

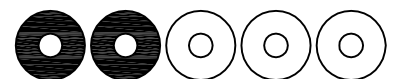
(Not Included)



2 - People

Recommended

ASSEMBLY RATING

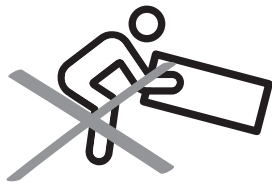


EASY —————> DIFFICULT

The Assembly Rating is a 5-point system showing the level of effort needed to assemble a specific product.

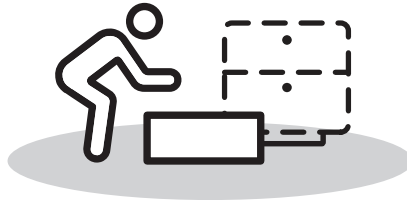
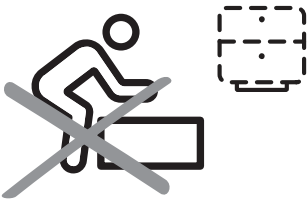
PRE ASSEMBLY INTRODUCTION

We understand building ready-to-assemble furniture can be a challenging experience for some. To help avoid confusion, we have provided some helpful tips that may speed up the process.



Teamwork

ALWAYS have at least two people to help with transporting and assembling the product to avoid potential injury and/or damage.



Suitable Location

Assembling near the area of the intended location is highly recommended.



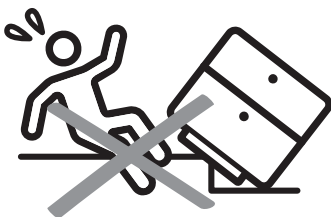
Sufficient Space

Make sure you have enough space to move around during the assembly.



Avoid Scratches

Use cardboard, blankets or a carpeted area while assembling furniture to prevent to prevent scratches and damages.



Flat Surface

Make sure the furniture rests on a flat and level surface with each leg evenly touching the floor.

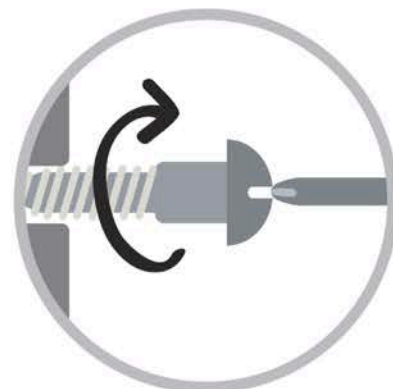
ASSEMBLY AND CARE ADVICE



FAILURE TO FOLLOW THE GUIDELINES BELOW MAY RESULT IN INJURY AND/OR PROPERTY DAMAGE.



Position each part correctly and insert screws or bolts into their respective holes.

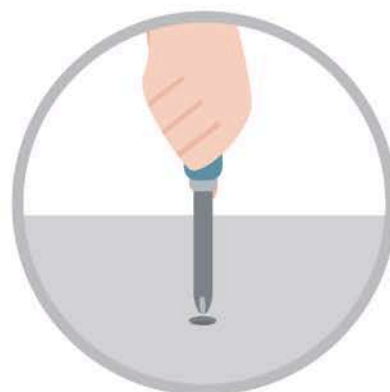


Turn clockwise to tighten and only tighten when step is completed or when instructed to do so.



Save the instructions and store any supplied tools for later maintenance.

Use the appropriate hand tools or power tools for assembly. Select steps, such as tightening screws and/or bolts, may require hand tools to avoid causing damage during assembly.



After two weeks, check and tighten any loose hardware and repeat again every six months thereafter.

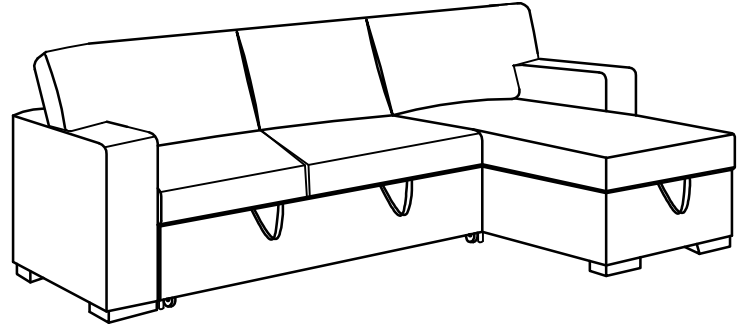
IT IS THE USER'S RESPONSIBILITY TO MAINTAIN THE FURNITURE. THE HARDWARE MAY LOOSEN OVER TIME AND MAY CAUSE THE FURNITURE TO BE WOBBLY AND UNABLE TO SUPPORT ITS INTENDED WEIGHT CAPACITY. THIS MAY LEAD TO COLLAPSE AND MAY CAUSE SERIOUS INJURY.

SOFA

CM6964

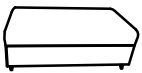


- Please keep instructions for future reference.
- Check the quantity and irregularity of parts and hardware before you start.



PARTS

#1 1pc



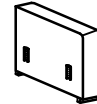
Love seat

#2 1pc



Chaise

#3 2pcs



Arm (L&R)

#4 1pc



Backrest (Long)

#5 1pc



Backrest (Short)

#6 1pc



Cushion

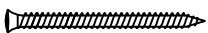
#7 2pcs



Cushion (L&R)

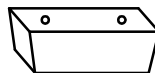
HARDWARE

#A 10pcs



Screw #8 x 45mm

#B 2pcs



Legs

#C 6pcs



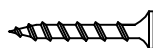
Legs

#D 4pcs



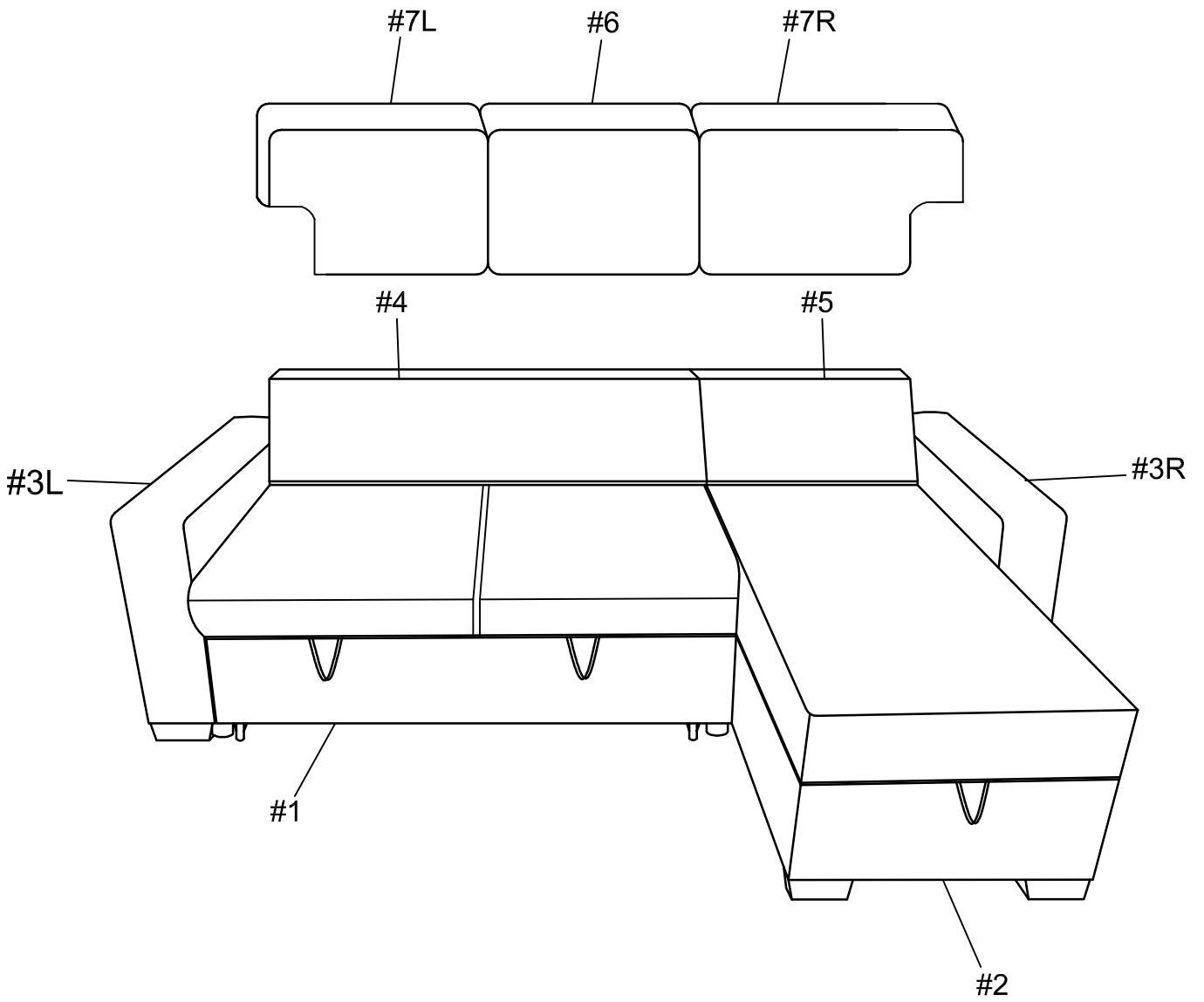
Roller

#E 16pcs



Screw #8 x 25mm

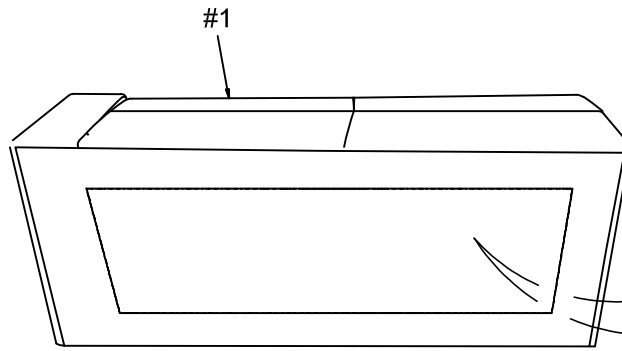
Exploded View



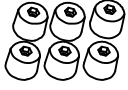


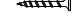



ASSEMBLY INSTRUCTIONS

1

Part #1 x1pc

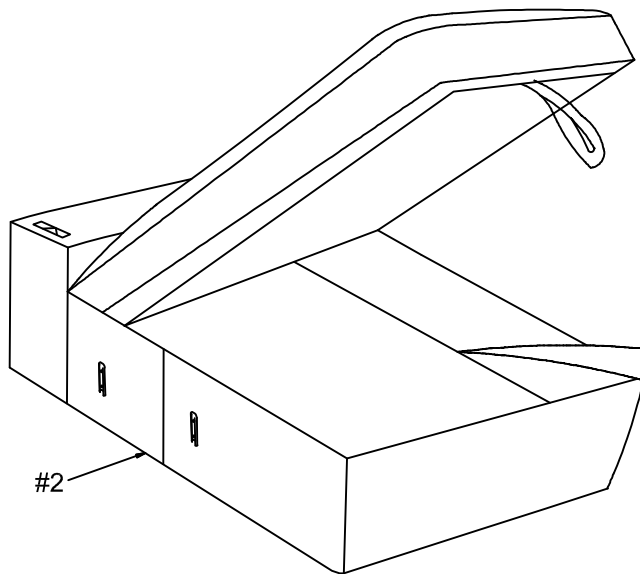



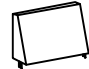

-  #Ax10pcs
-  #B x2pcs
-  #Cx6pcs
-  #D x4pcs
-  #E x16pcs
-  #F x16pcs
-  #7x2pcs

These parts are stored inside of #1 during shipment. Take them out before installation.

2

Part #2 x1pc



-  #4
-  #5
-  #6

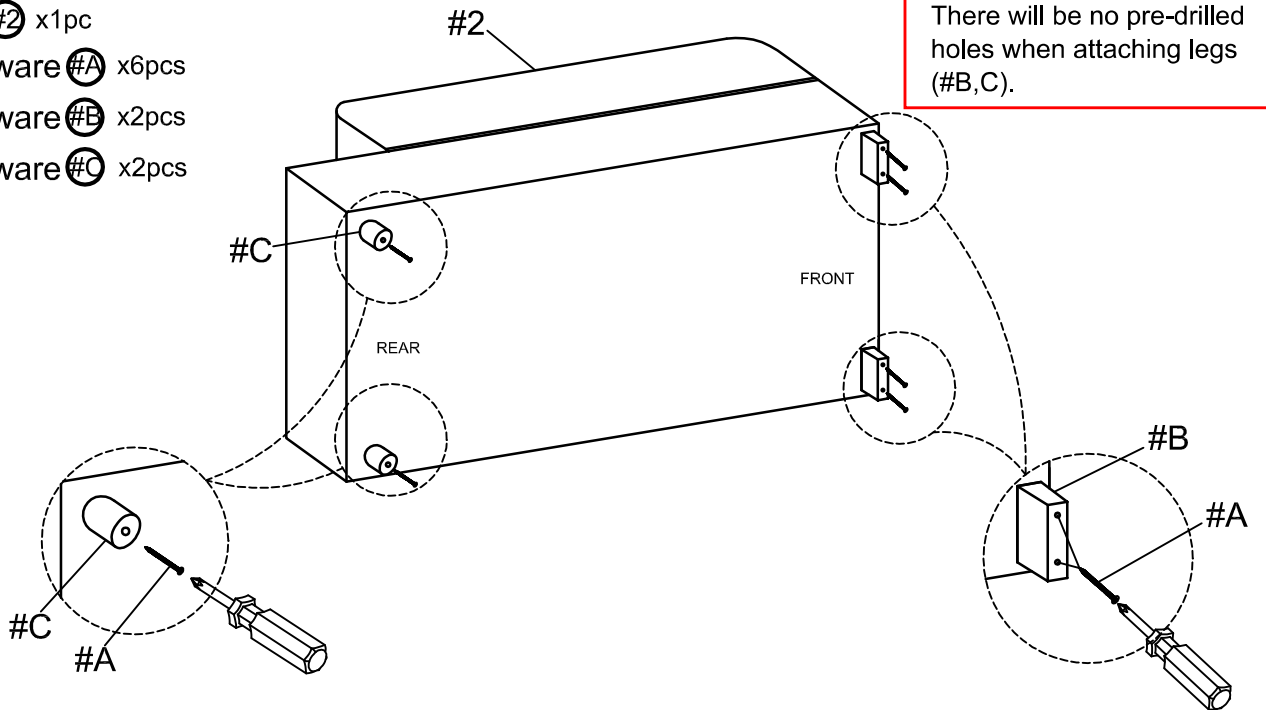
These parts are stored inside of #2 during shipment. Take them out before installation.

ASSEMBLY INSTRUCTIONS

3

Align legs (#B,C) to the corner of the chaise (#2), then secure by using screws (#A).

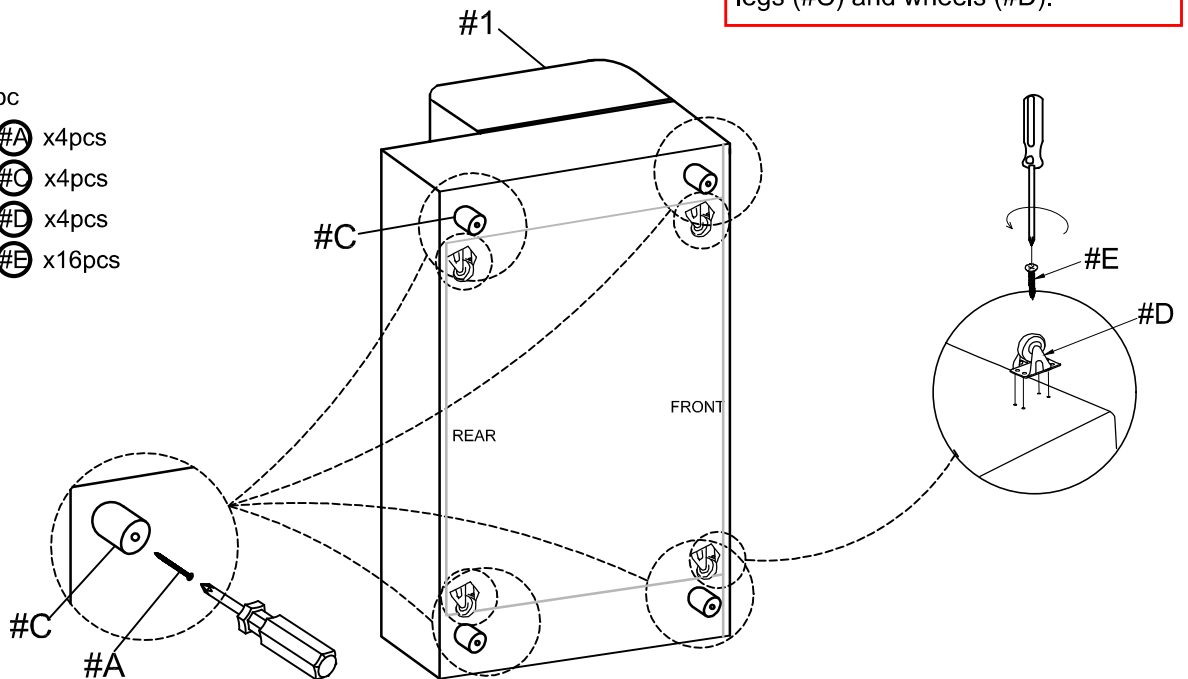
- Part #2 x1pc
- Hardware #A x6pcs
- Hardware #B x2pcs
- Hardware #C x2pcs



4

There will be no pre-drilled holes on legs (#C) and wheels (#D).

- Part #1 x1pc
- Hardware #A x4pcs
- Hardware #C x4pcs
- Hardware #D x4pcs
- Hardware #E x16pcs



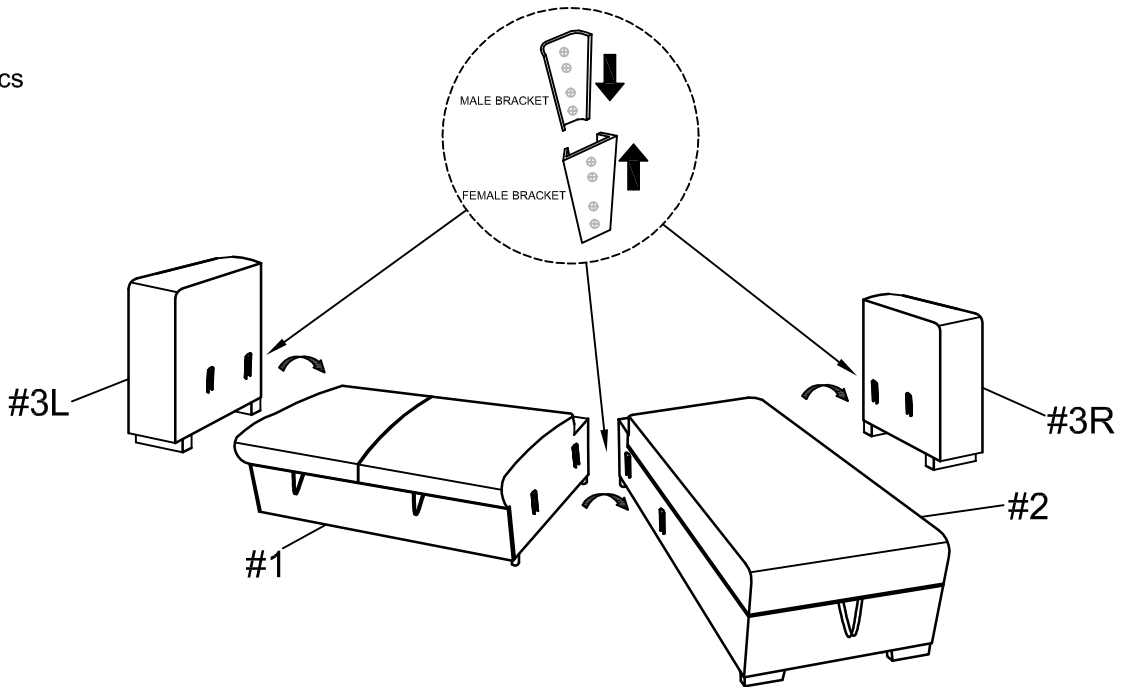
Align legs (#C) and wheels (#D) to the bottom of loveseat (#1), then secure by using screws (#A,E).

ASSEMBLY INSTRUCTIONS

Align and hook metal brackets of the pieces together.

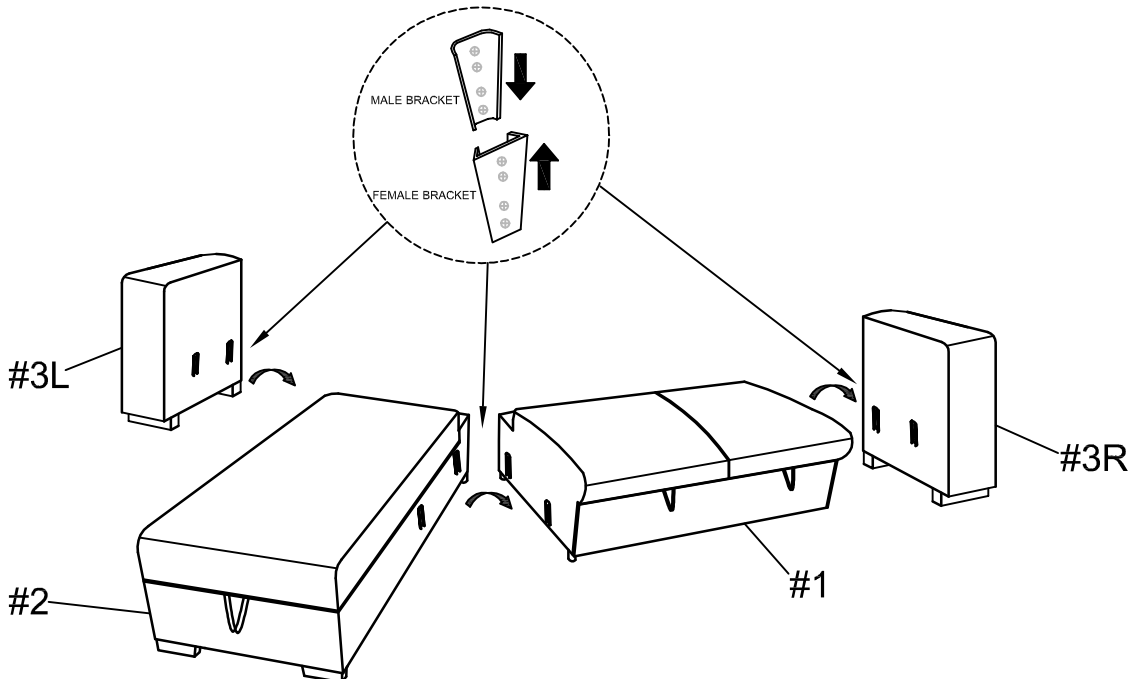
5

Part #3 x2pcs



Chaise on the right side assembly

OR



Chaise on the left side assembly

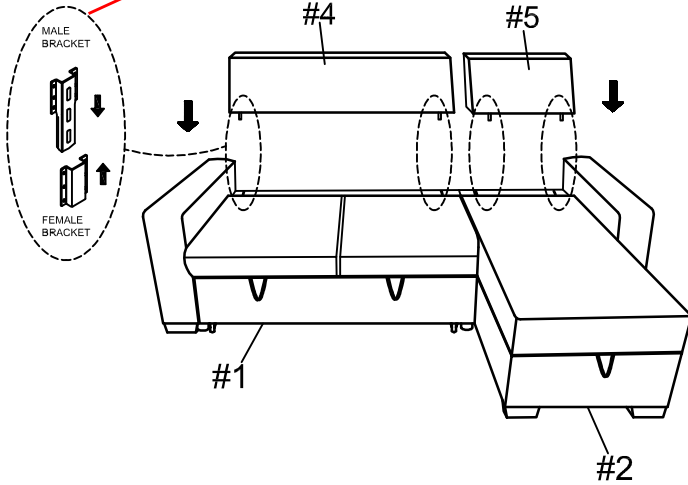
ASSEMBLY INSTRUCTIONS

6

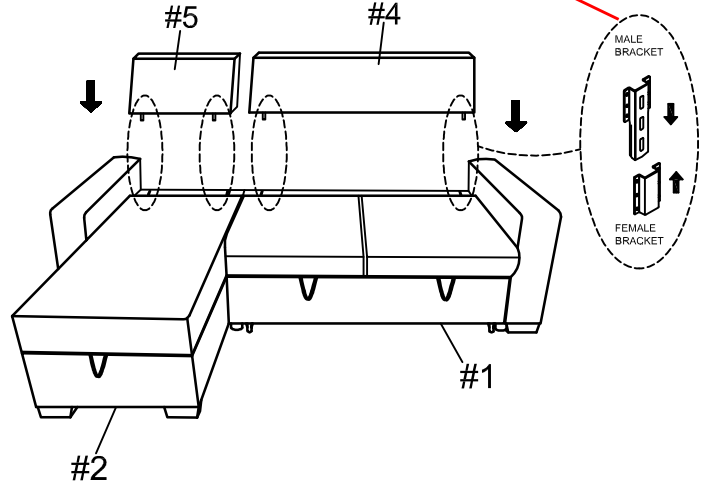
Part #4 x1pc

Part #5 x1pc

Align and attach male brackets of backrests (#4,5) to female brackets seats (#1,2).



Chaise on the right side assembly

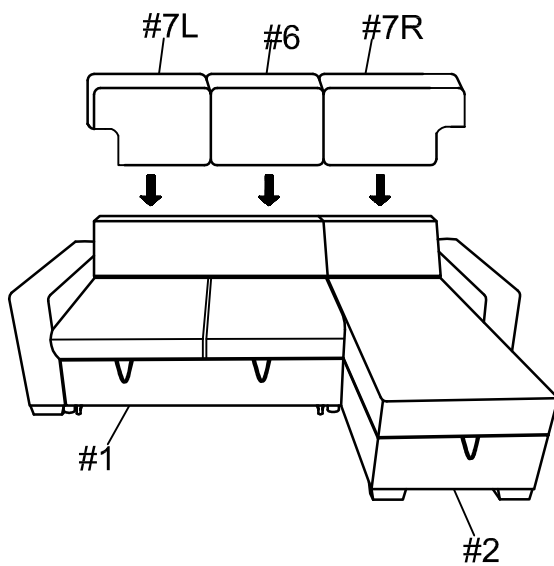


Chaise on the left side assembly

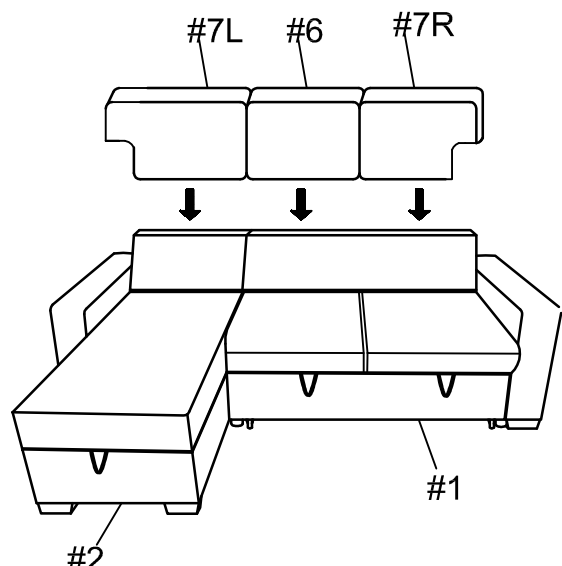
7

Part #6 x1pc

Part #7 x2pcs



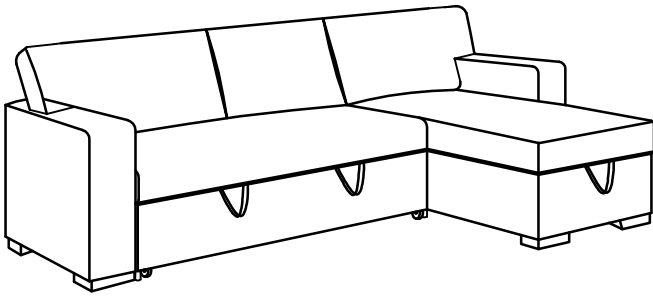
Chaise on the right side assembly



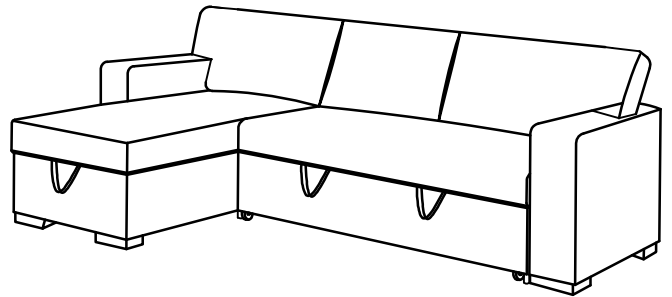
Chaise on the left side assembly

ASSEMBLY INSTRUCTIONS

8

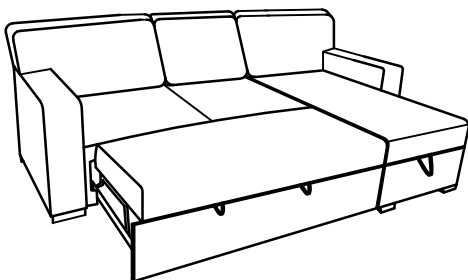
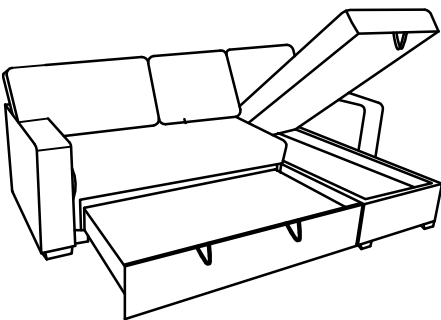


Chaise on the right side assembly

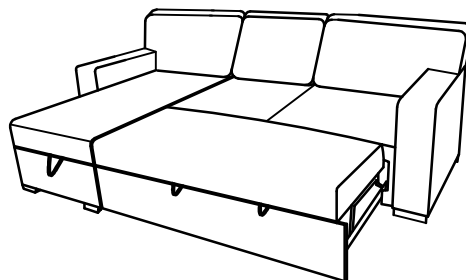
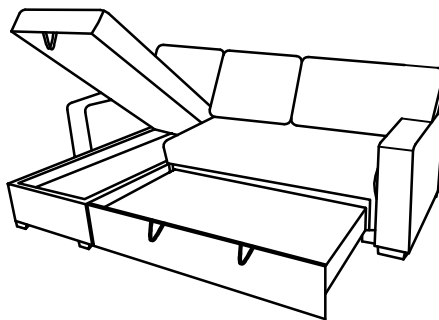


Chaise on the left side assembly

9



Chaise on the right side assembly



Chaise on the left side assembly

ASSEMBLY COMPLETED



Please ensure the furniture rests on an even and flat surface. If the product wobbles or feels loose, double-check all bolts and/or screws are properly tightened and secured.

Keep this handy!

Please retain this instruction manual and any order-related information for future reference.

Lift, don't drag!

To avoid damage to product please always LIFT the product when transporting or adjusting the placement.