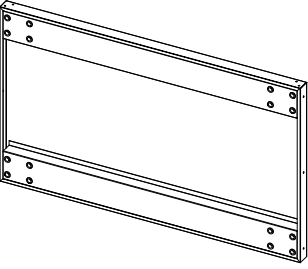
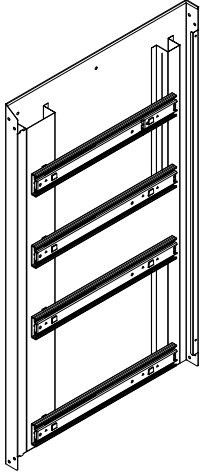
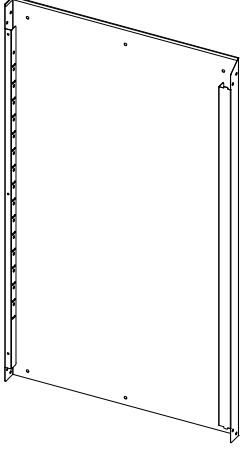
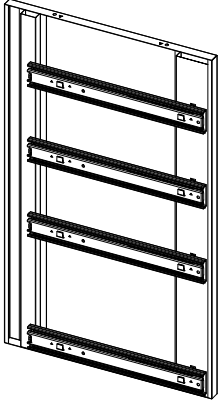
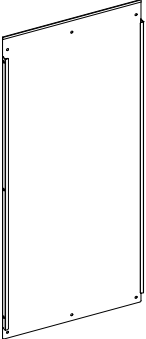
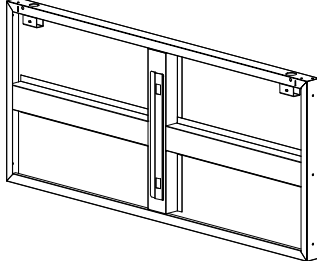
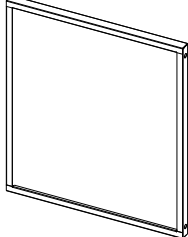
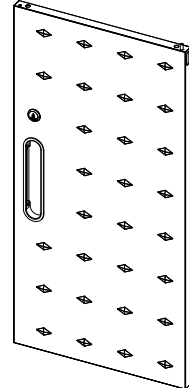
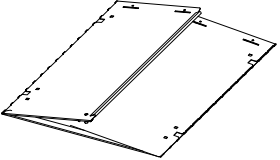
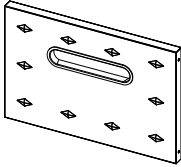
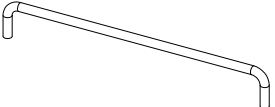
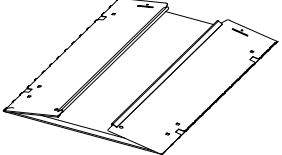
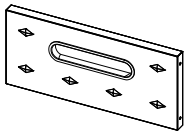



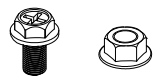

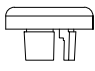
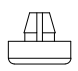


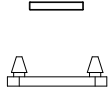
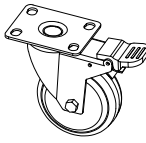

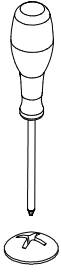
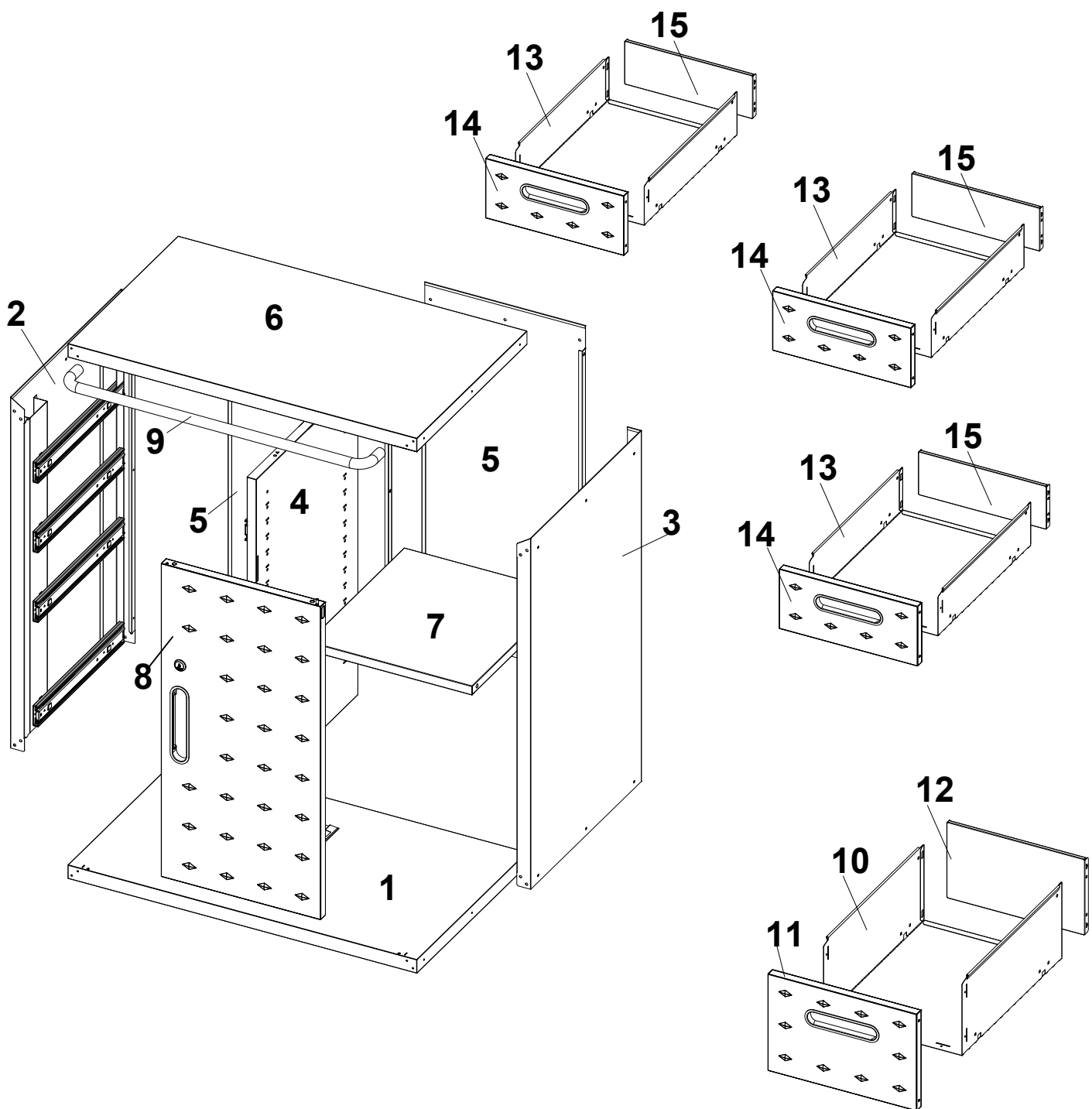


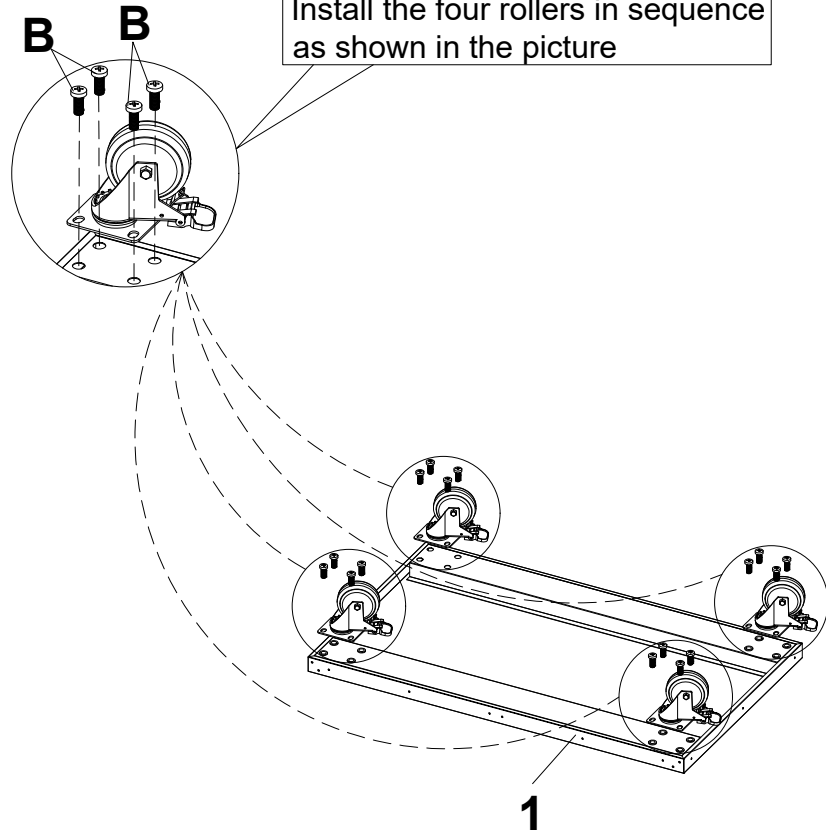
<p><b>1×1pc</b></p> 	<p><b>2×1pc</b></p> 	<p><b>3×1pc</b></p> 	<p><b>4×1pc</b></p> 		
<p><b>5×2pcs</b></p> 	<p><b>6×1pc</b></p> 	<p><b>7×1pc</b></p> 	<p><b>8×1pc</b></p> 		
<p><b>10×1pc</b></p> 	<p><b>11×1pc</b></p> 	<p><b>9×1pc</b></p> 	<p><b>13×3pcs</b></p> 		
<p><b>14×3pcs</b></p> 	<p><b>15×3pcs</b></p> 	<p><b>A×64pcs</b></p>  <p>M4× 8mm 0.3inch</p>	<p><b>B×16pcs</b></p>  <p>M8× 20mm 0.79inch</p>	<p><b>C×3pcs</b></p>  <p>M5× 12mm 0.47inch</p>	<p><b>D×2pcs</b></p>  <p>M4× 12mm 0.47inch</p>

<p><b>Ox2</b></p> 	<p><b>Fx4pcs</b></p> 	<p><b>Qx4pcs</b></p> 	<p><b>Rx1pc</b></p> 	<p><b>Ux2pcs</b></p> 	<p><b>4pcs</b></p> 		
---	--	--	---	---	--	---	---

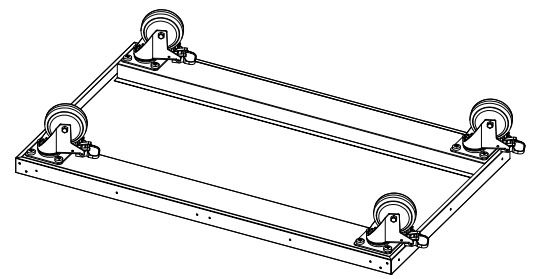


# 1

Install the four rollers in sequence as shown in the picture



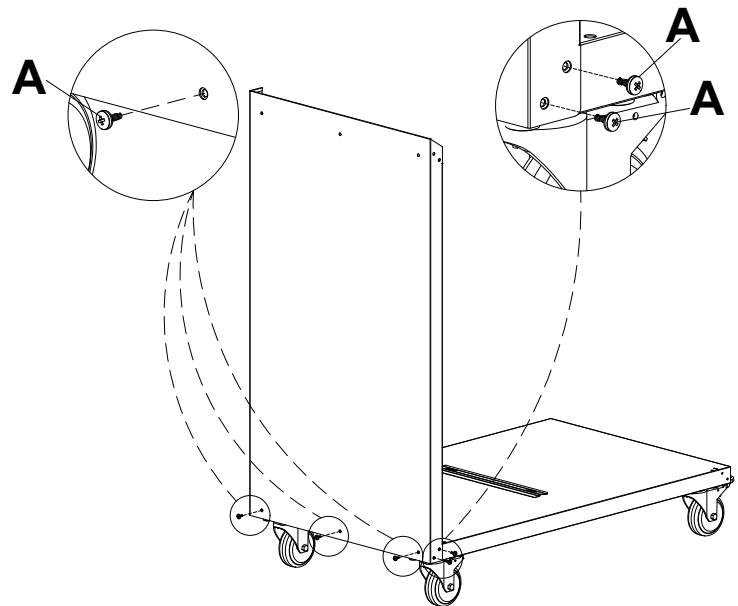
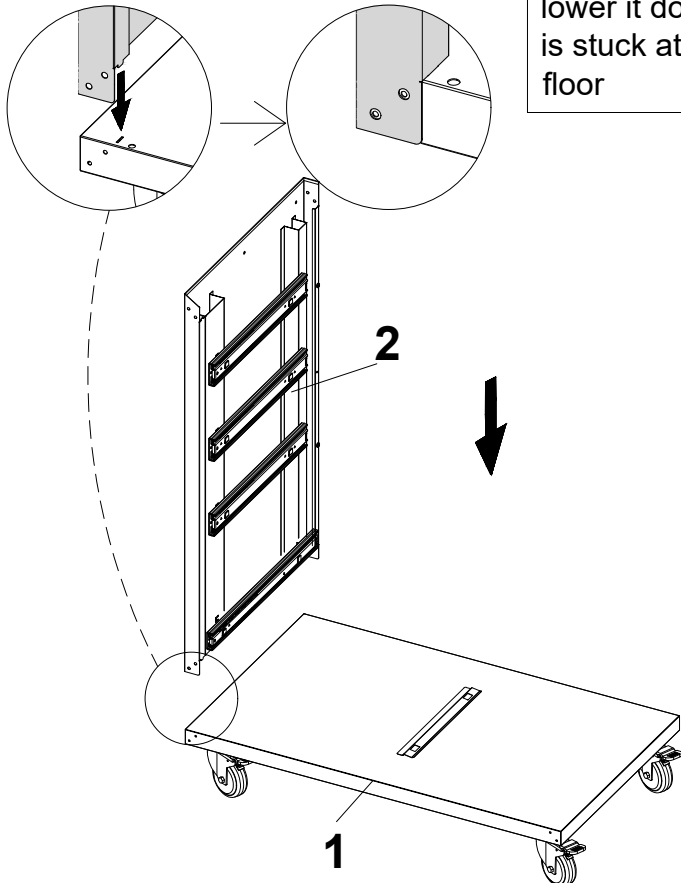
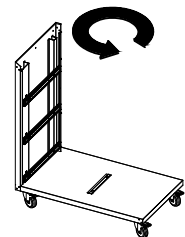
After completing the installation of the four rollers, please step on the rear locking part to prevent the cabinet from sliding during subsequent installation



 B×16

# 2

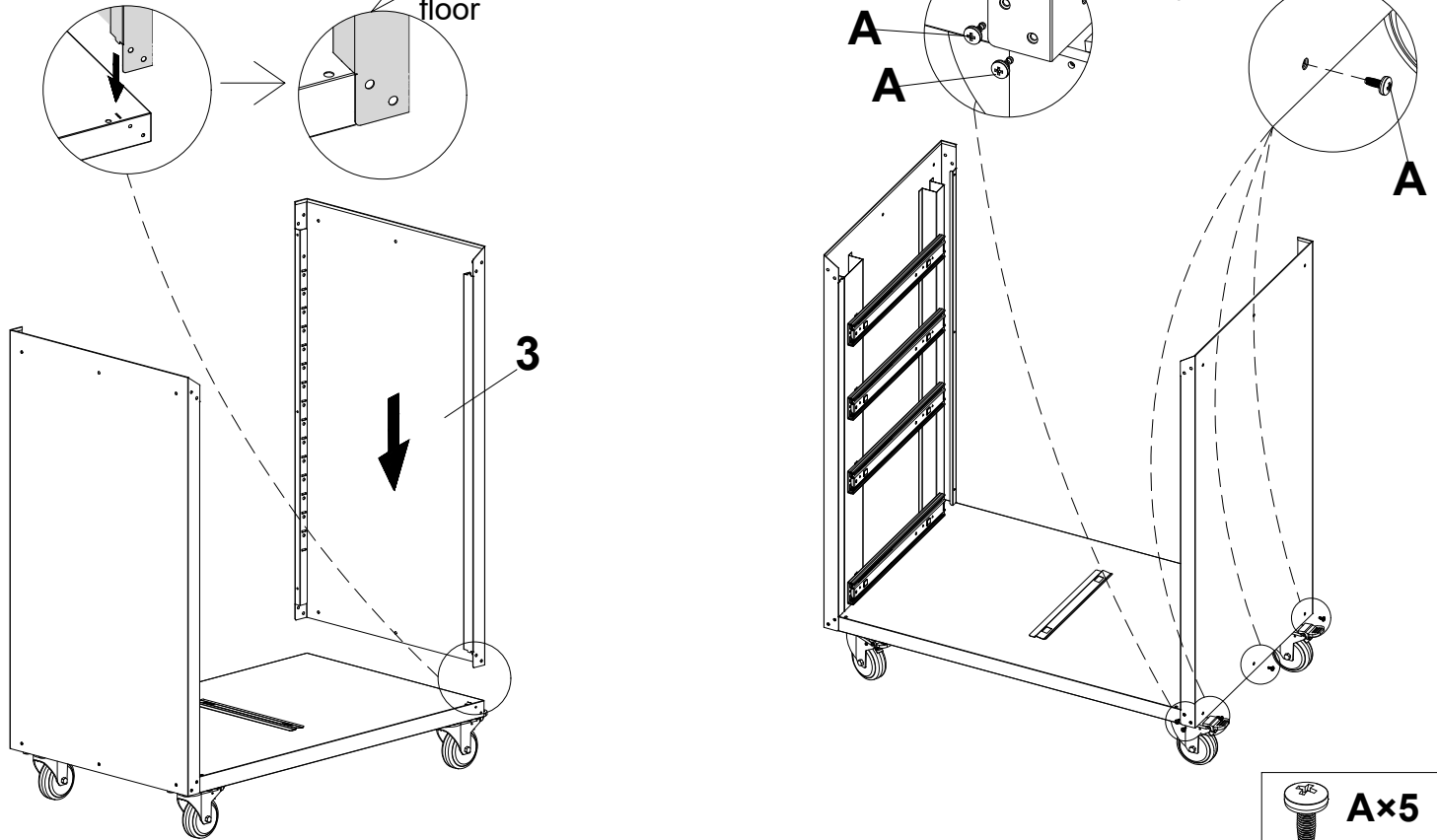
Align the lower buckle of side panel 2 with the slot at the top of the toolbox bottom plate, and then lower it down so that side panel 2 is stuck at the top of the toolbox floor



 A×5

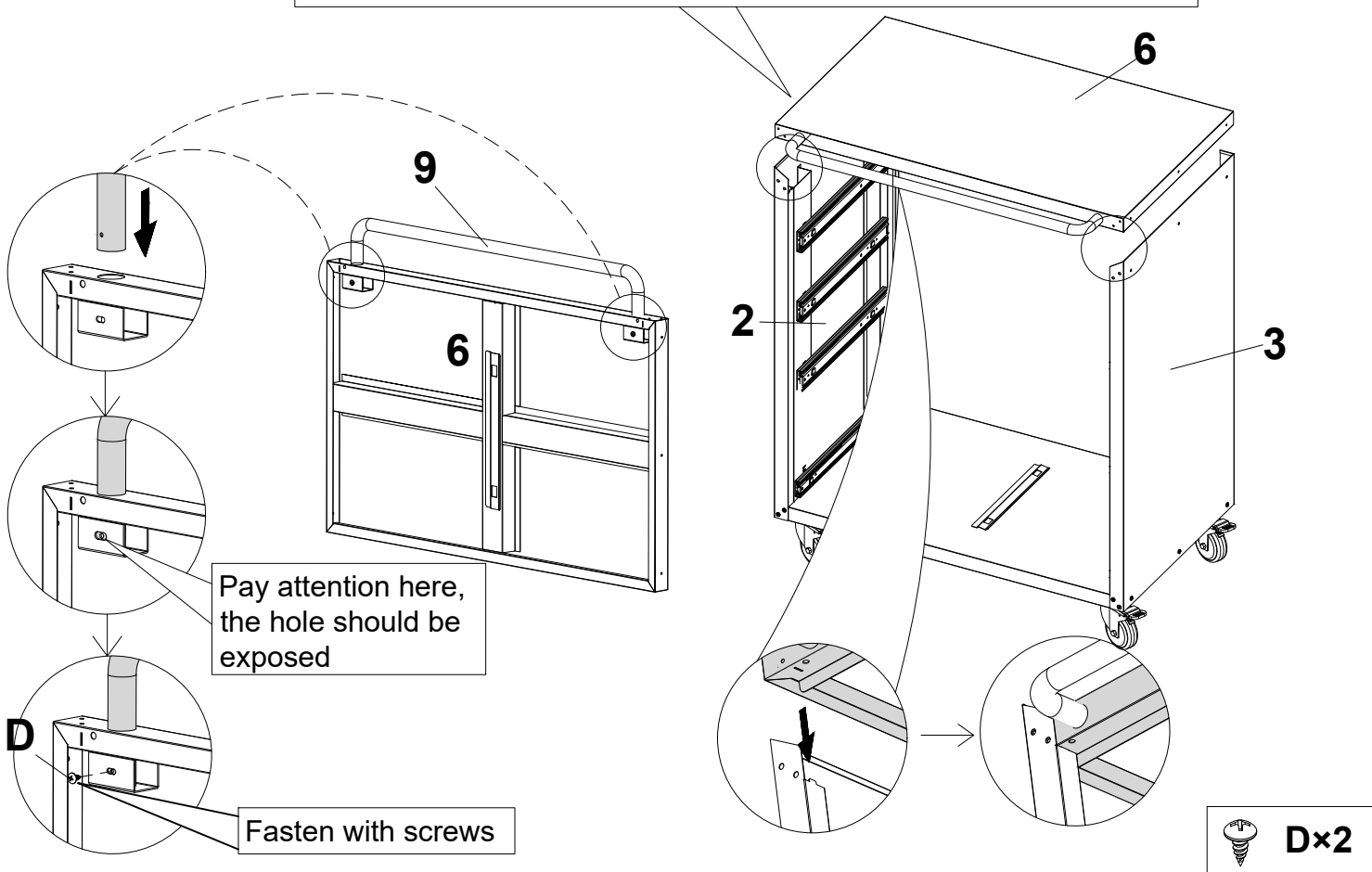
3

Align the lower buckle of side panel 2 with the slot at the top of the toolbox bottom plate, and then lower it down so that side panel 2 is stuck at the top of the toolbox floor



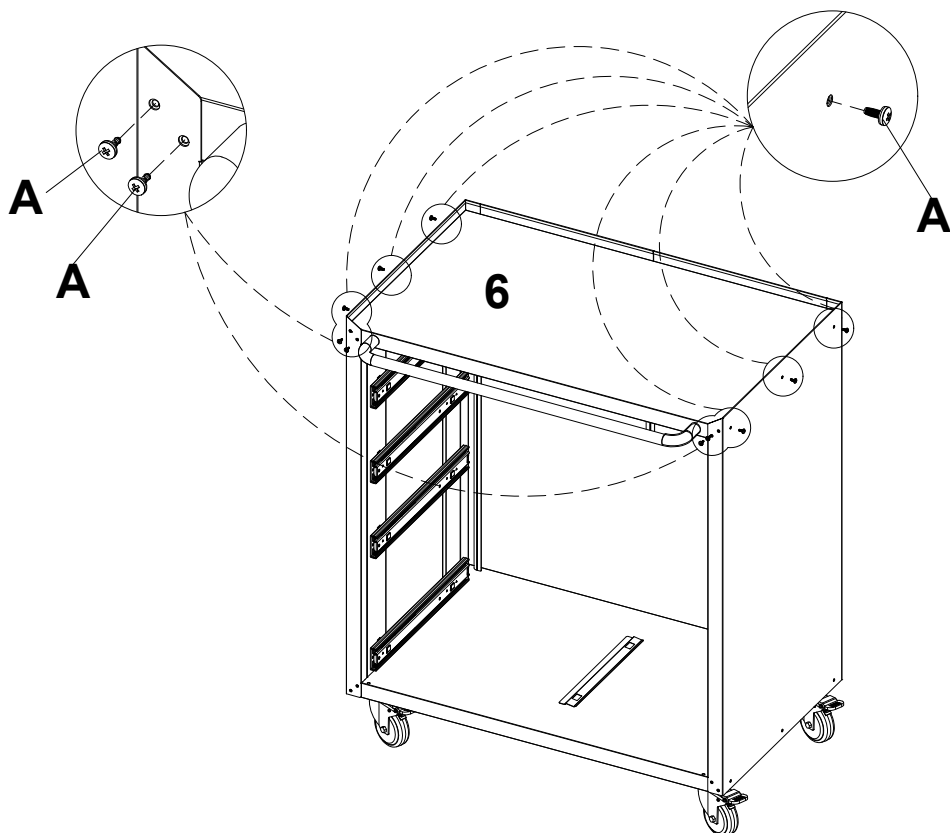
4

Align the card slots on both sides of the lower end of panel 4 with the buckles on the top of side panels 2 and 3, then lower it down so that panel 4 is stuck on the top of both sides of the toolbox



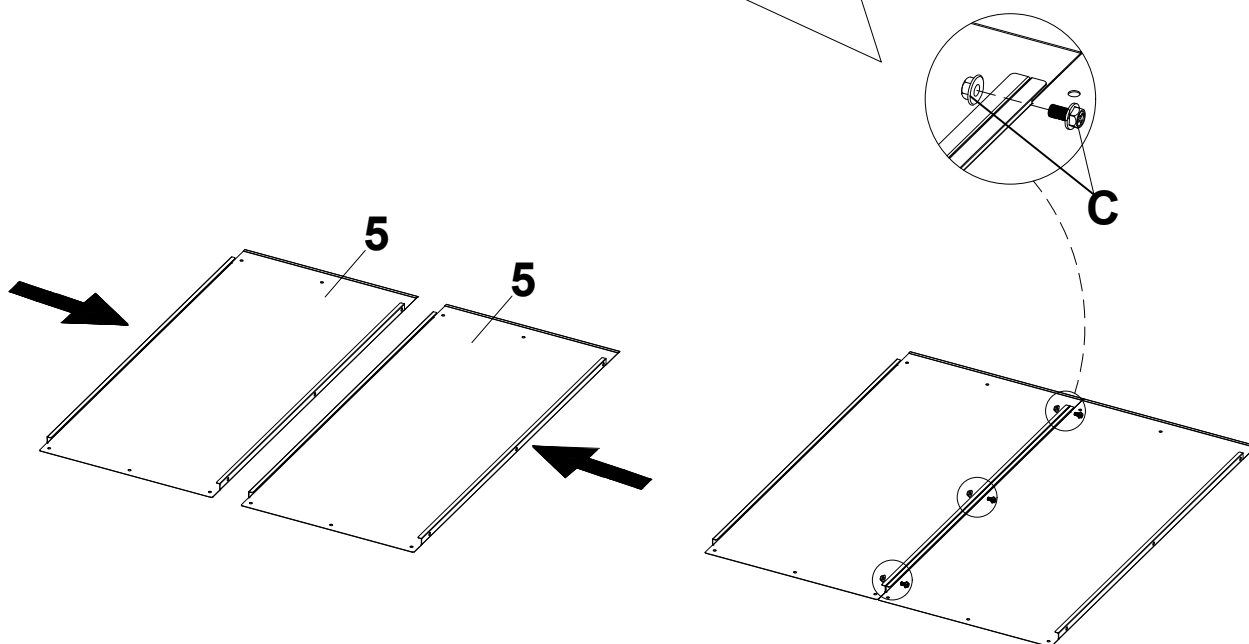
5

Fix component 4 with screws A according to the diagram



6

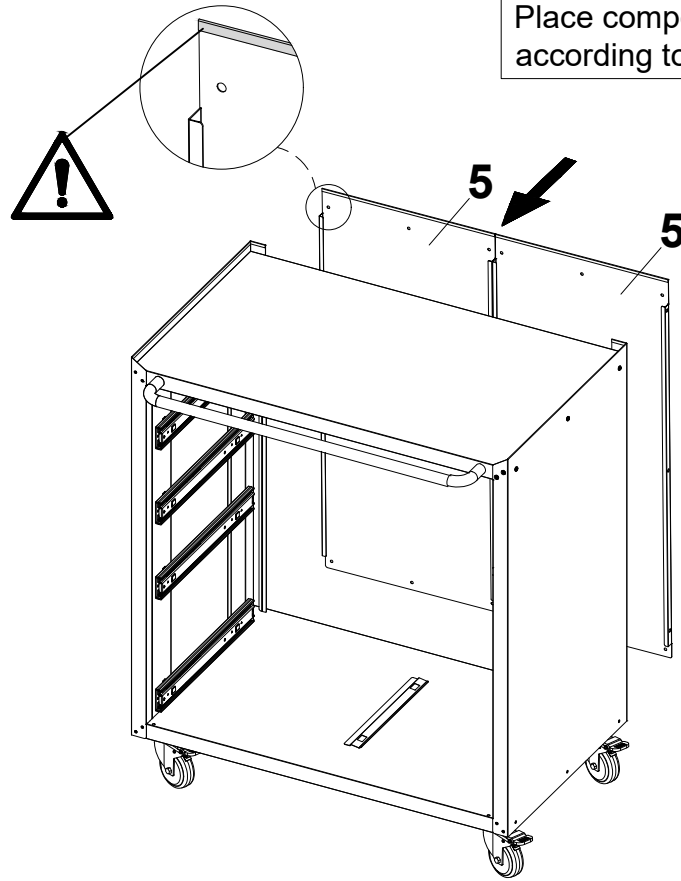
put three bolts and nuts to hold them in place



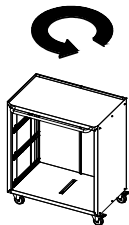
7

Pay attention to the installation direction of the back

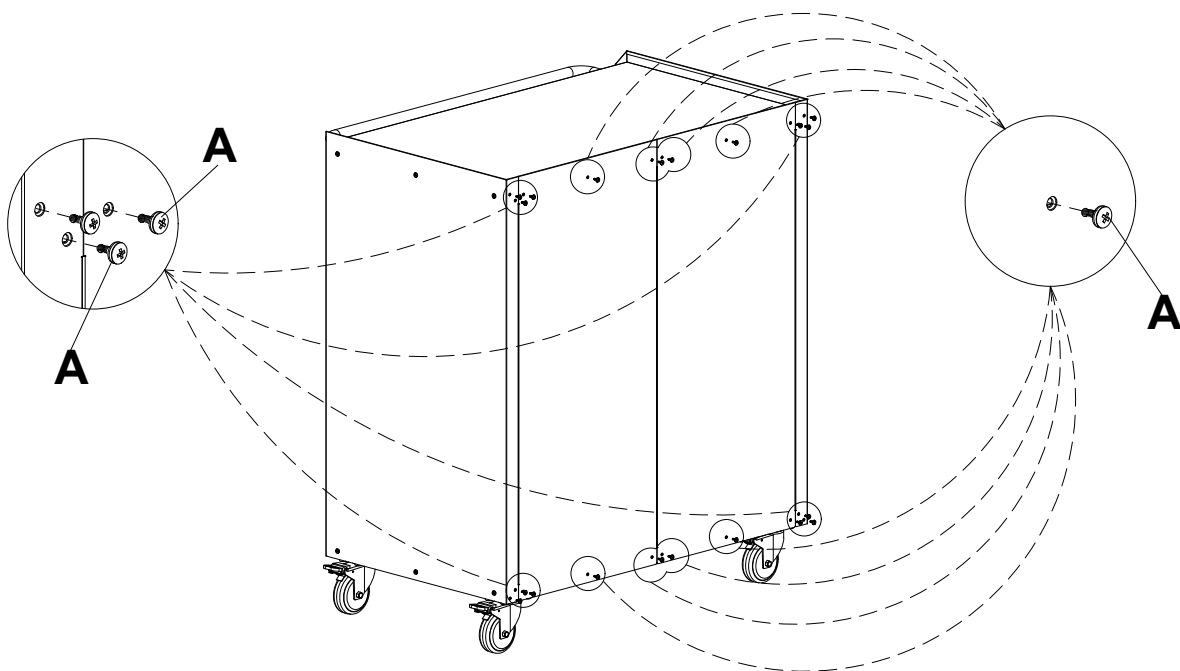
Place component 5 in place according to the diagram



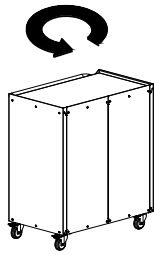
8



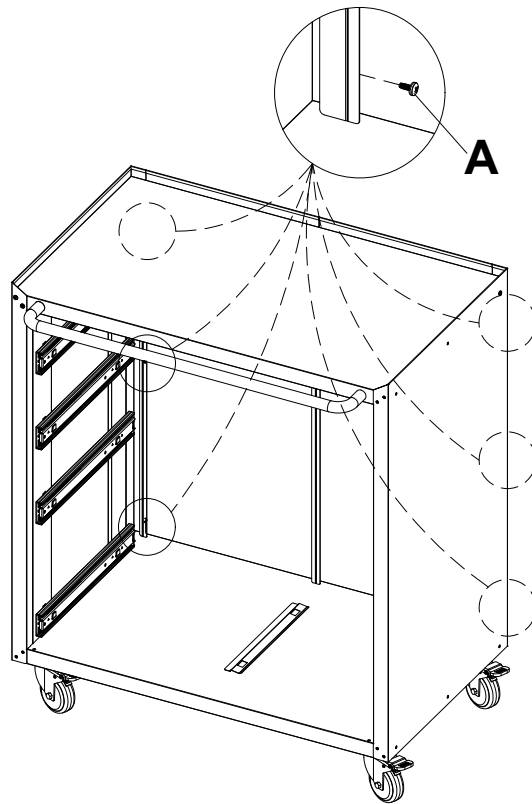
As shown in the picture, there are four positions, each position needs to install three screws, there are eight positions, each position needs to install one screw



9

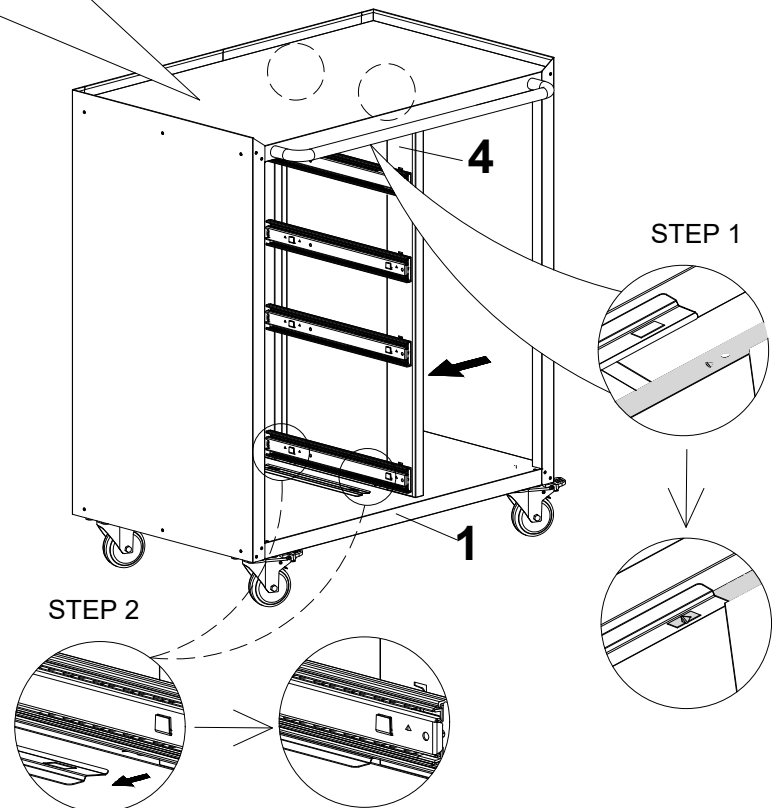
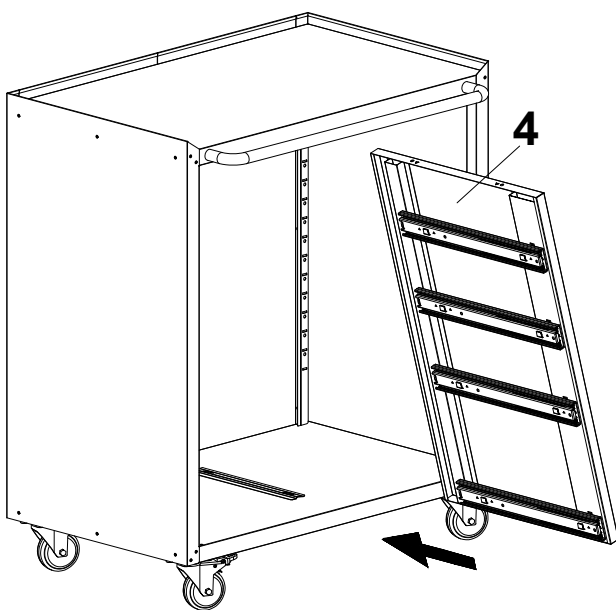


Fix with screws A according to the diagram



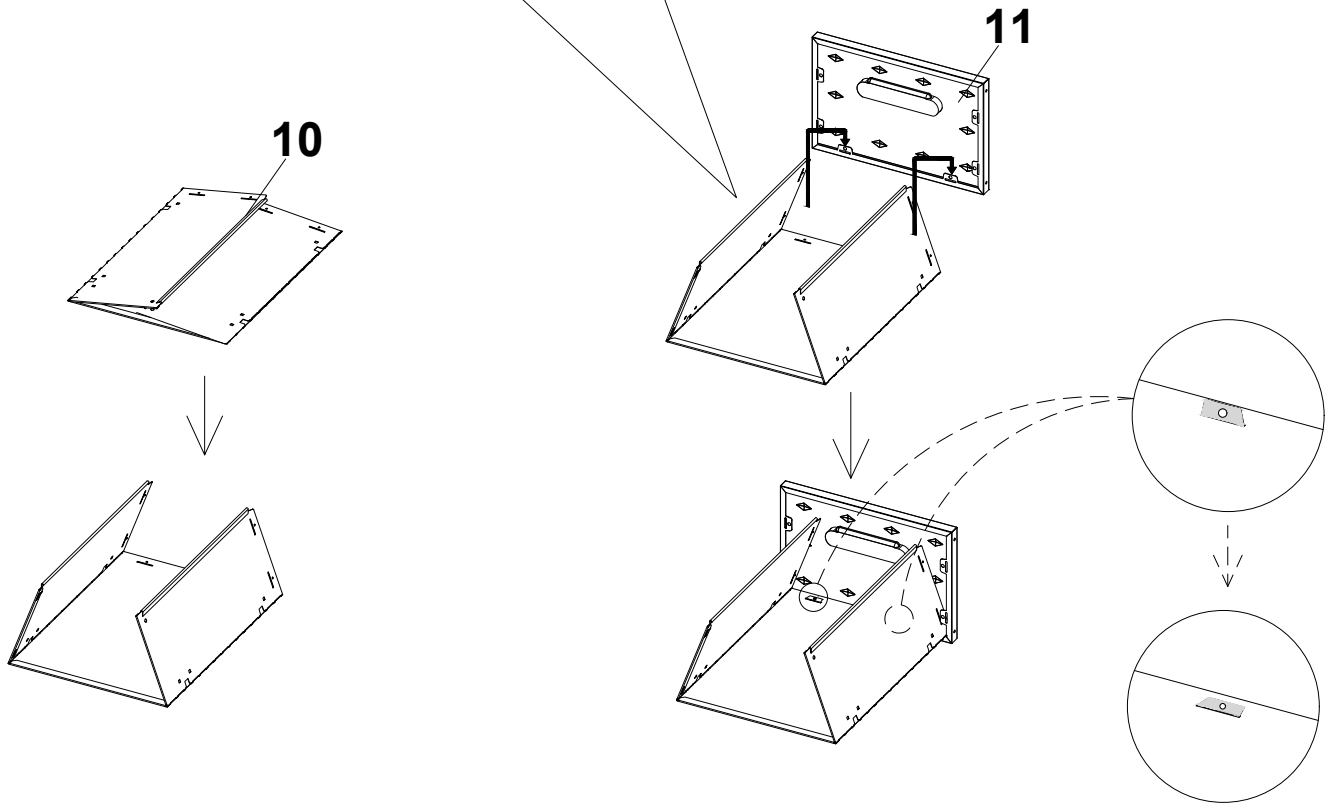
10

After inserting part 4 into the cabinet, please ensure that it is perpendicular to top of part 1. Then, horizontally tap the four snap positions in the picture to fully engage it.



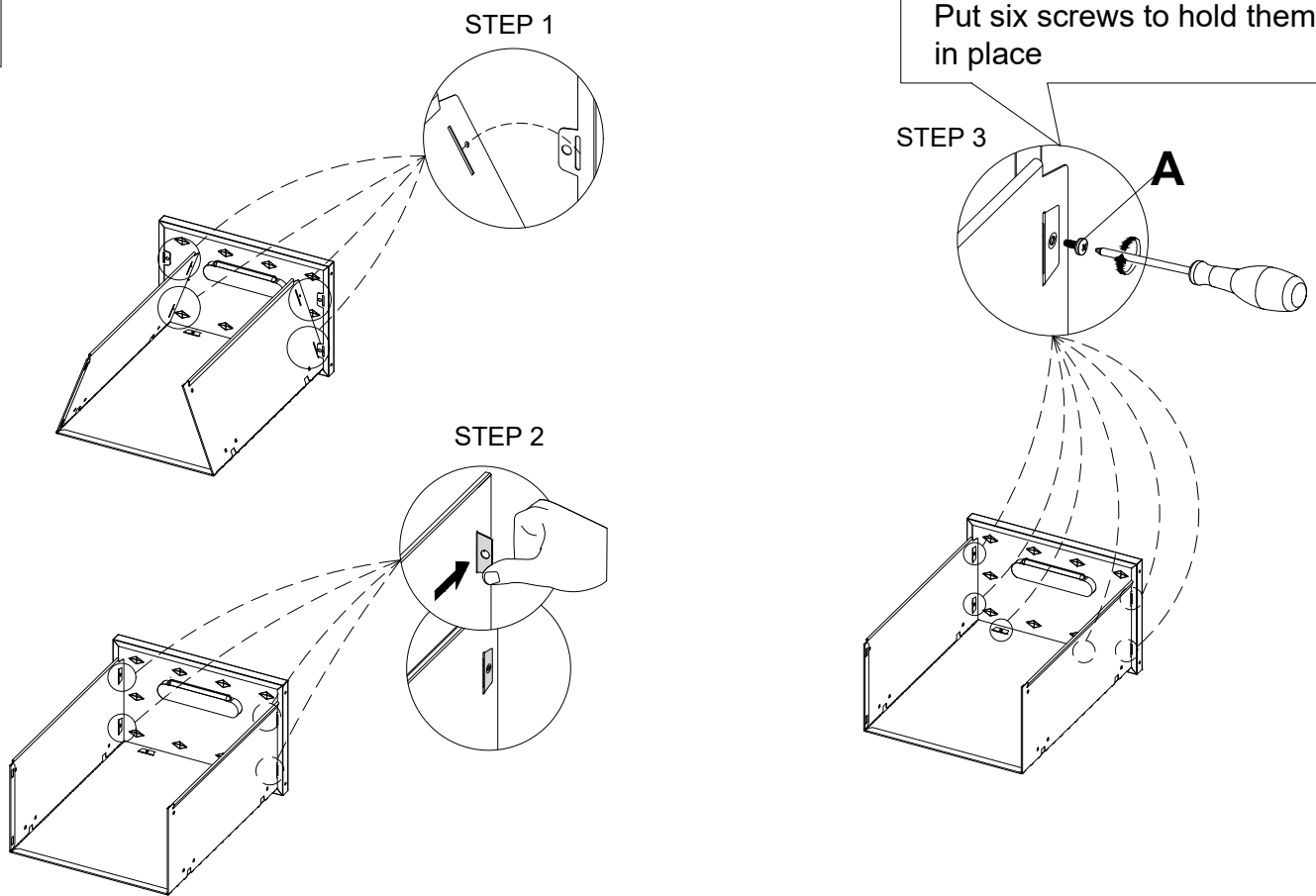
11

Insert the tabs at the bottom of the drawer faces 11 into the drawer body 10 and bend the tabs



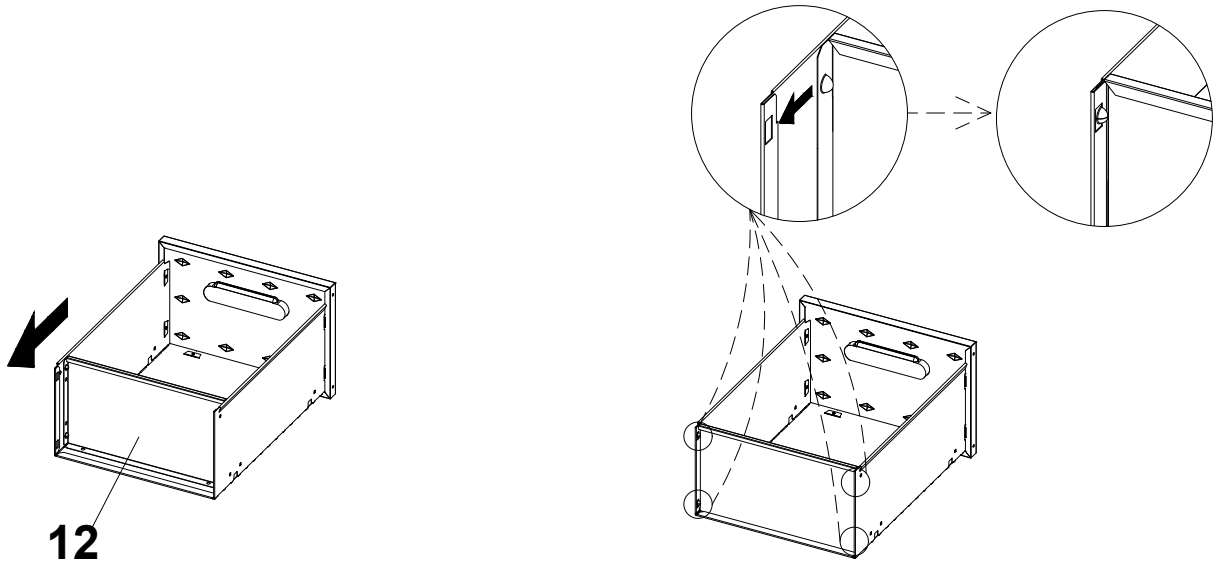
12

Put six screws to hold them in place

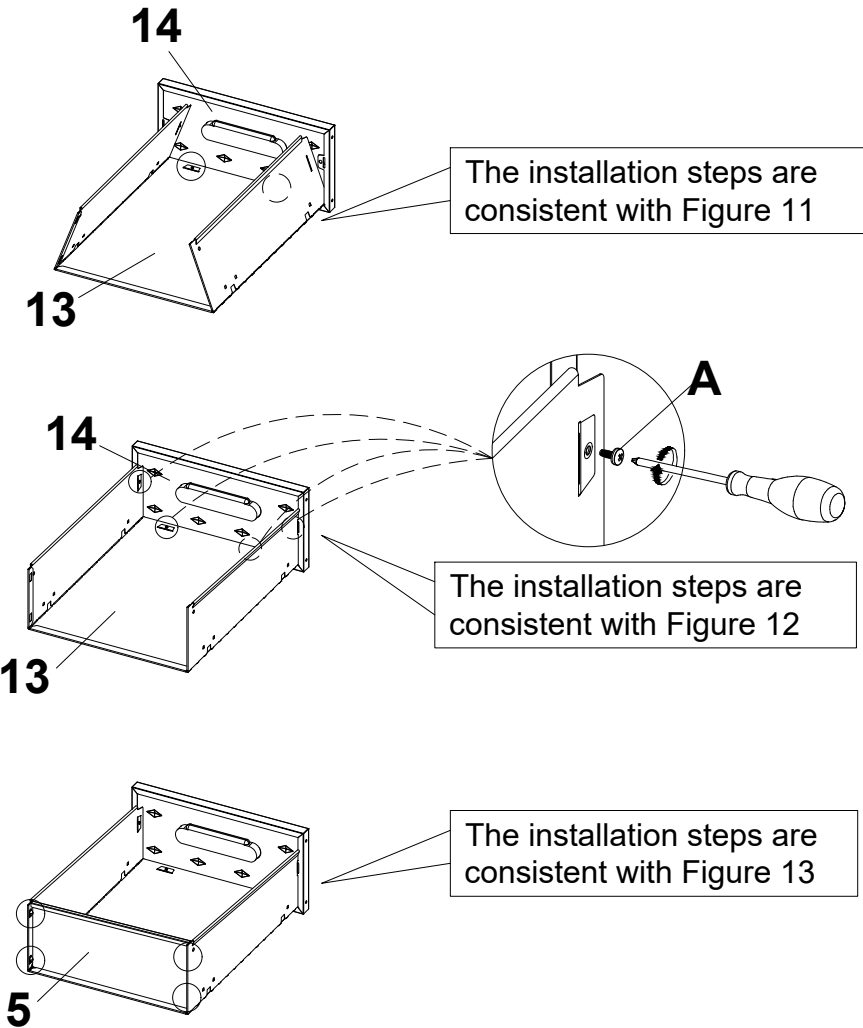


# 13

Make sure that the little bits protruding from part 12 are all inserted.  
Note that the slots on the back wall of the drawer should face up.

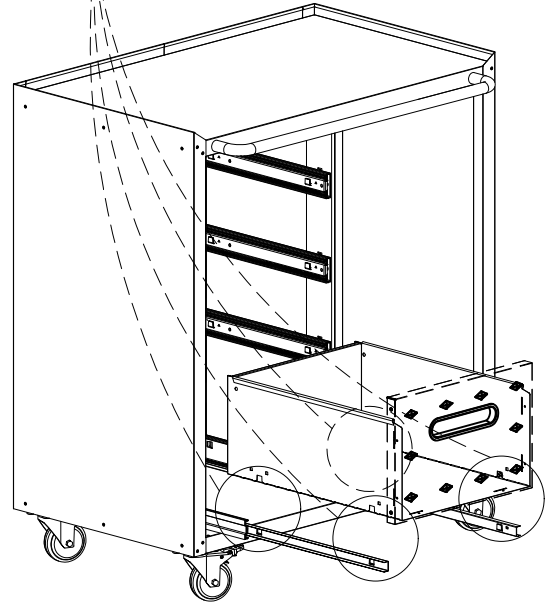
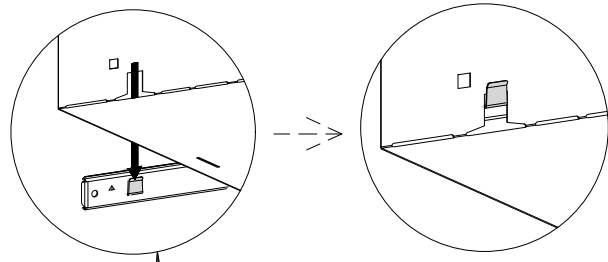
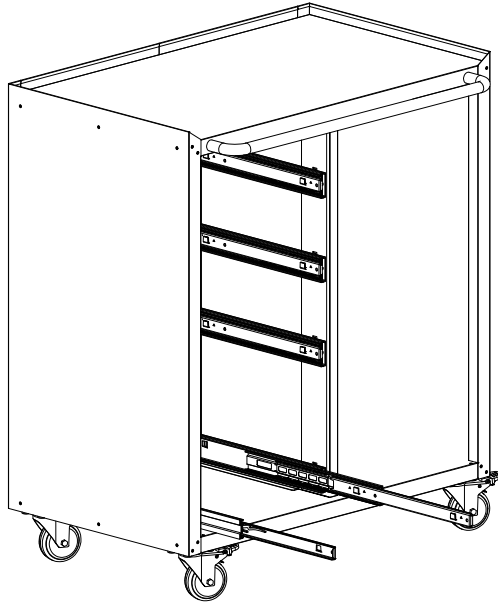


# 14



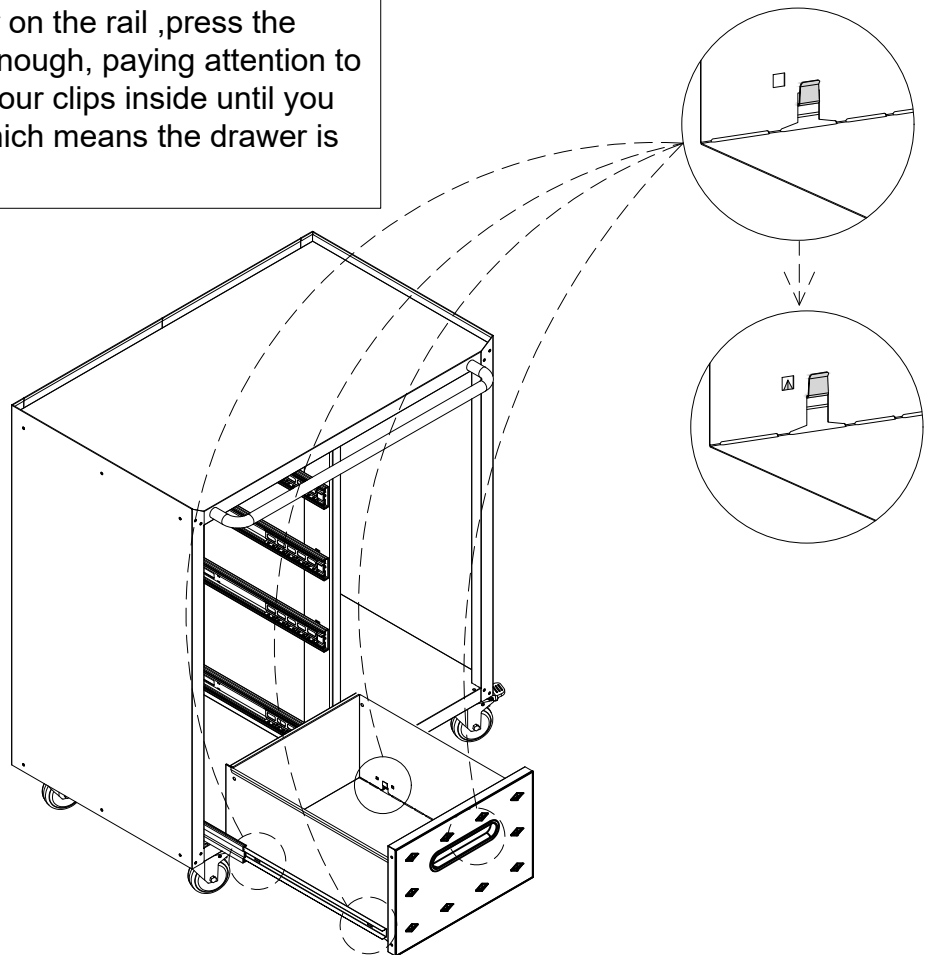
# 15

1. pull out the small rails in the slide rails on the side walls completely. with two people lifting each side of the drawer, align the four divots on the bottom with the two rail clips on the rails on each side and insert them into the rail clips.



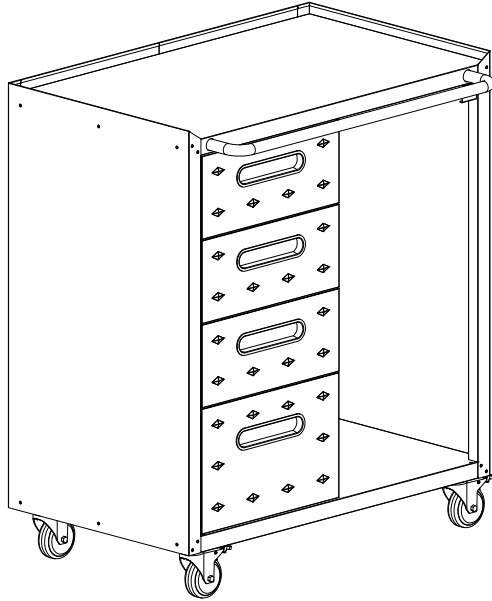
# 16

2. After placing the drawer on the rail, press the drawer base down hard enough, paying attention to check the position of the four clips inside until you hear a click four times, which means the drawer is in place

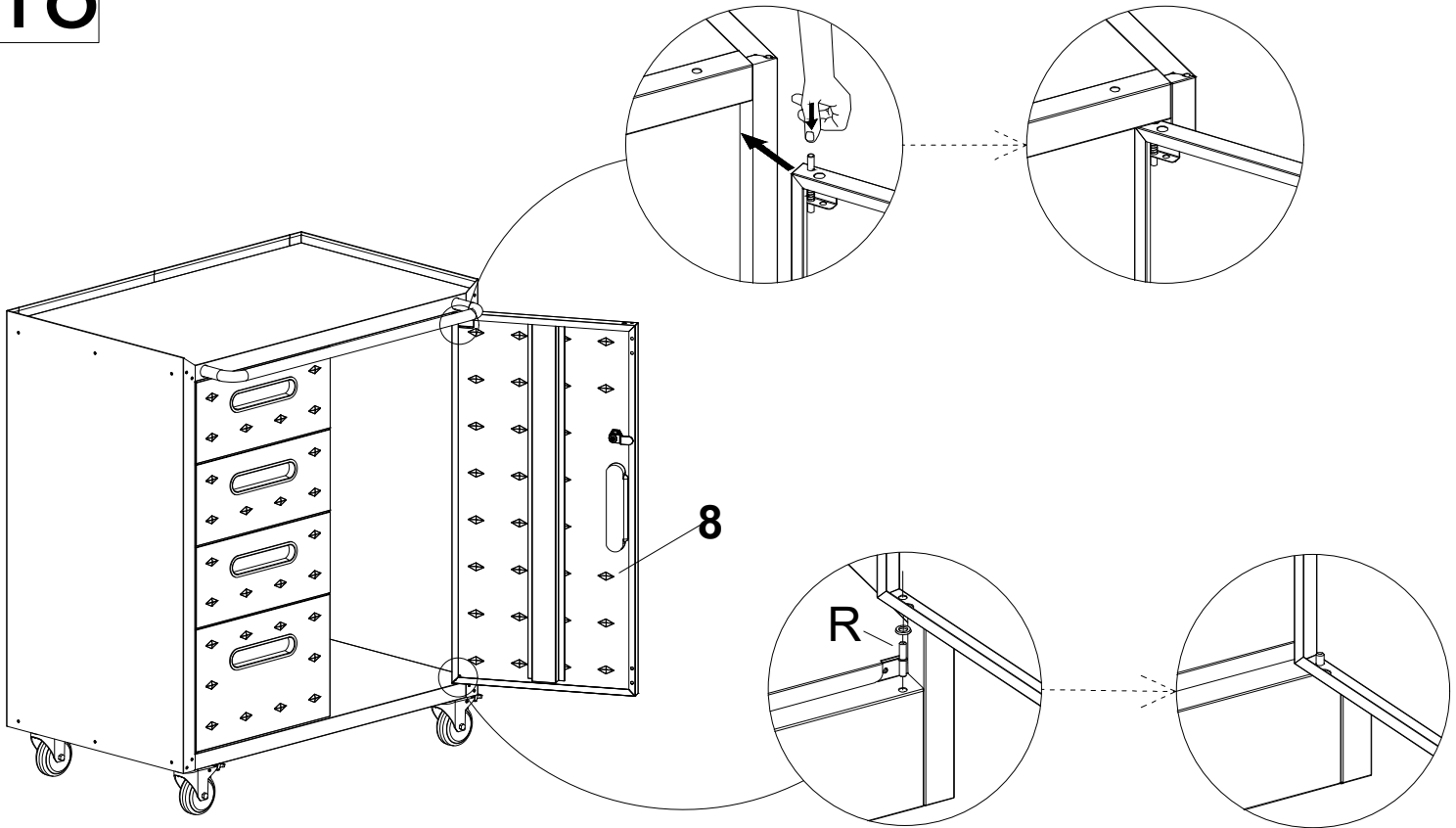


17

Please follow steps 15-16 to sequentially assemble the three drawers onto the cabinet body



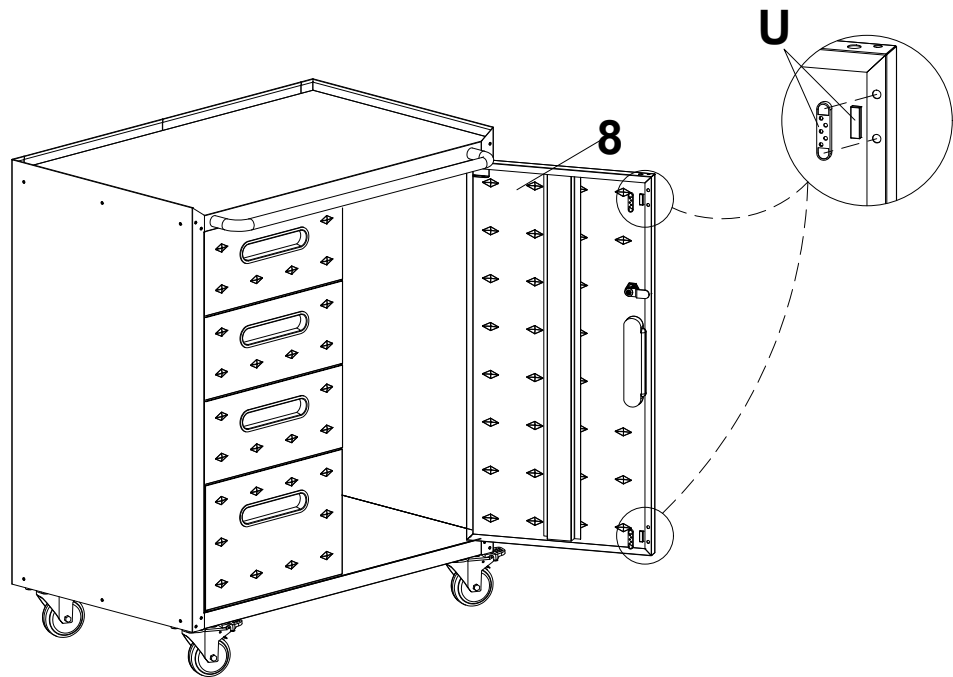
18

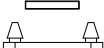


 R×1

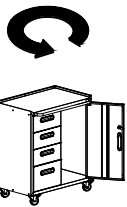
19

Install accessory U onto components 8 as shown in the diagram

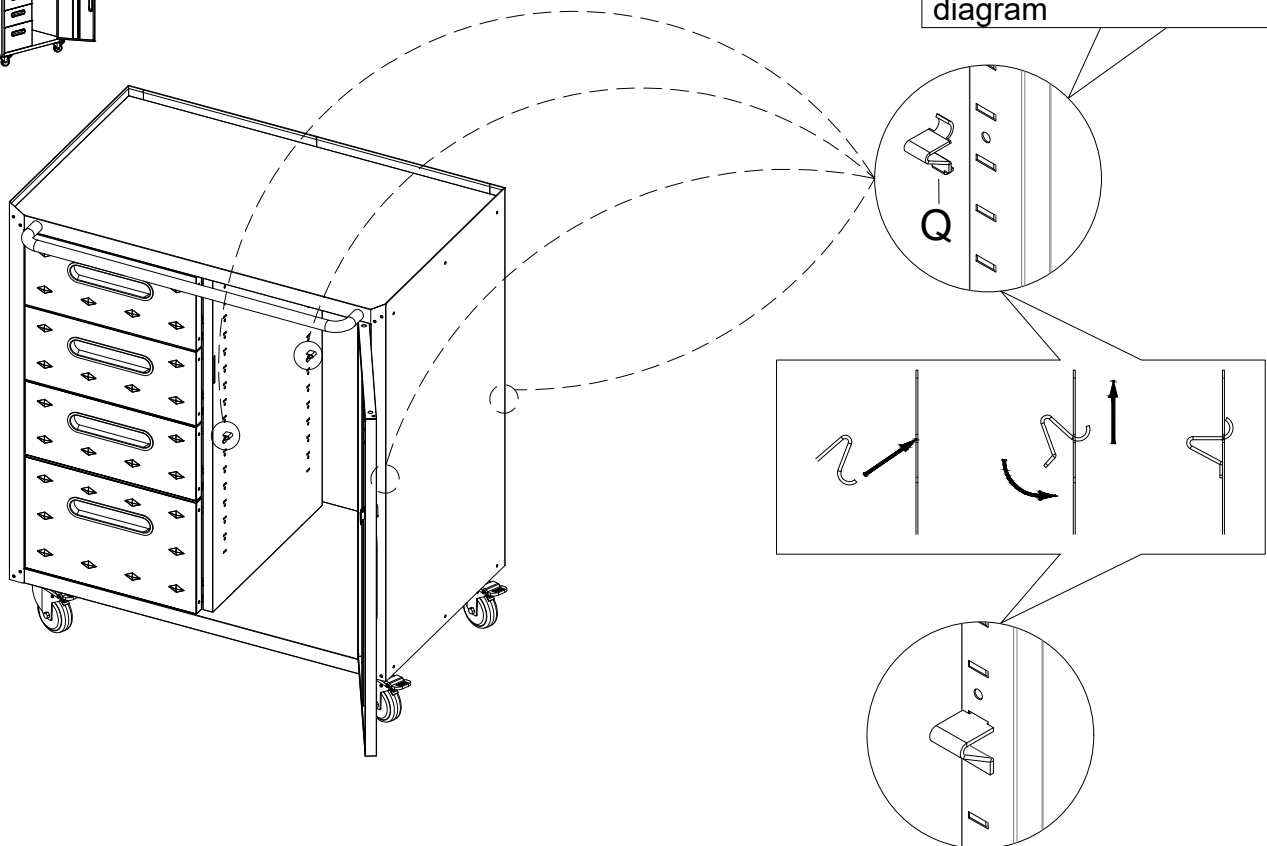


 **U×2**

20

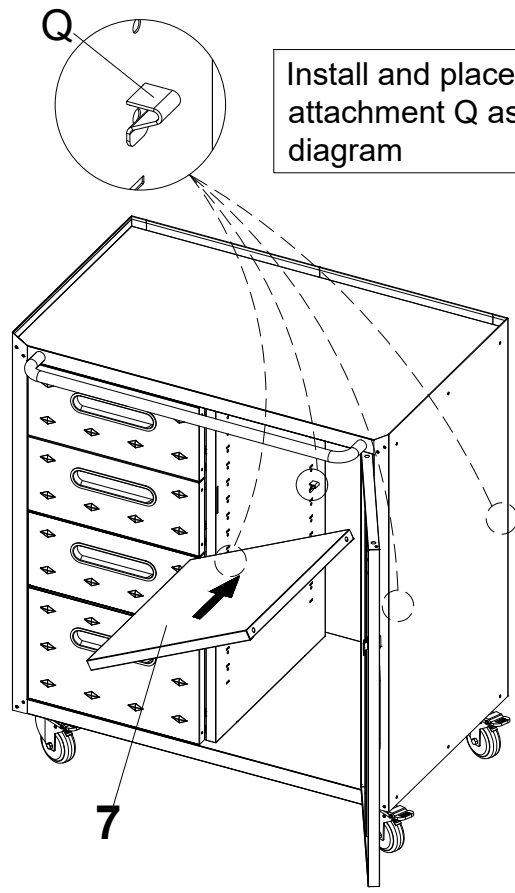


Install accessory Q in place according to the steps in the diagram



 **Q×4**

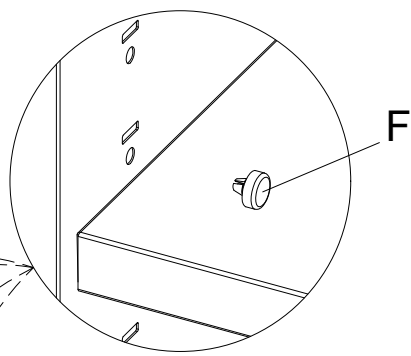
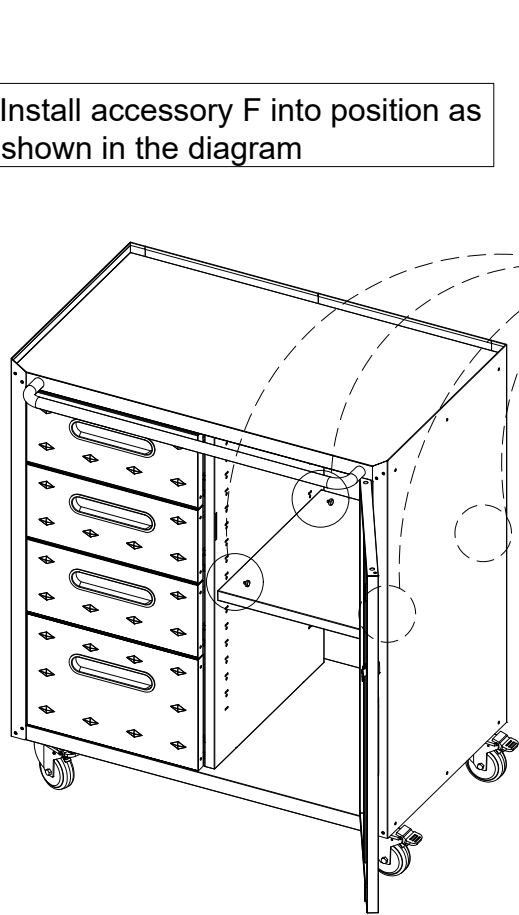
21



Install and place component 7 on attachment Q as shown in the diagram

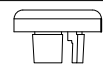
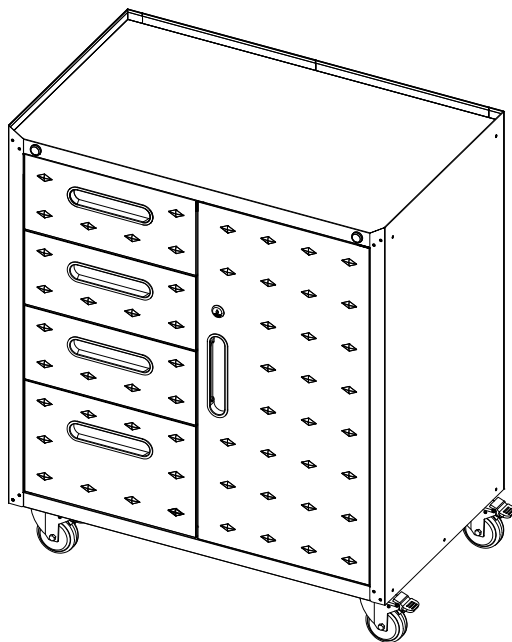
22

Install accessory F into position as shown in the diagram



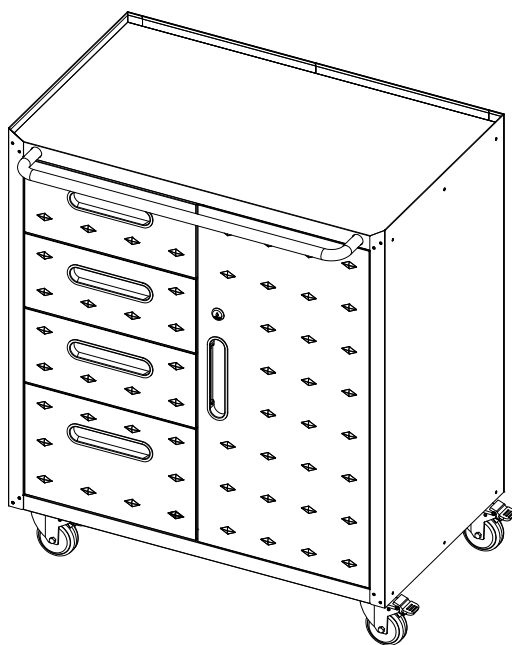
23

If you don't want to install the handle, you can remove it and use O to block its hole



O×2

24



If you need to link another cabinet,  
you need to follow the following  
steps

First remove the 12 screws on the  
contact surface, then put the two  
cabinets together and fix them  
with 6 screws

