

**IMPORTANT!!PLEASE READ ENTIRE
INSTRUCTION SHEET BEFORE ASSEMBLY!!**

Open Weave Egg Chair

Identify all parts packed in the carton against the parts list. Remove all protective materials. Place parts on a non-abrasive surface. If you are missing any parts or are unsure how to proceed with assembly, please call customer service center immediately at 844-836-4055 (Monday-Friday, 9:am-5:00pm CST) or e-mail:

support@donglinusa.net

Do not attempt to assemble the product if any parts are missing or damaged .

Step 1

Place all parts on a flat, sofa surface. Connect base (A) and base (B) by using bolts(L) with washer(M) and nut(N).Please refer to step 1.

Please make sure tighten all bolts on Step 1 first.

Step 2

Attach the stand tube (C) to base by using bolts(L) with washer(M) and nut (N) . Pls refer to step 2.

Step 3

Attach the sleeve tube (D) to the stand tube(C) by using bolts(K) with washer(M) and nut (N) Please refer to step 3.

Step 4

Attach the bend tube (E) to the sleeve tube(D) by using bolts(K) with washer(M) and nut (N) Please refer to step 4.

Step 5

Hang swing pod (H) on the frame with lock (F) and spring(G). Please refer to step 5


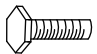





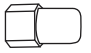










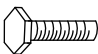
Step 6

With additional help, carefully put the swing pod into the right position.
Put the cushion in the swing pod.

Please refer to additional assembly instruction for placing egg chair + stand on wood deck,lawn or cement surface.

CAUTION:

DO NOT USE WITHOUT SECURING EGG CHAIR AND STAND TO GROUNDED STRUCTURE.

PARTSLIST					
A	Base A		1	L	M8*25mm Bolt  6
B	Base B		1	M	Washer  20
C	Stand tube		1	N	NUT  10
D	Sleeve tube		1	O	PE NUT CAP  10
E	Bend tube		1	P	PE CAP  10
F	Lock		2	Q	Hex Wrench  2
G	Spring		1	R	Self-drill bolt  6
H	Swing pod		1	S	Anchor bolt  6
I	Screwed spike		6		
J	U steel holders		3		
K	M8*65mm Bolt		4		

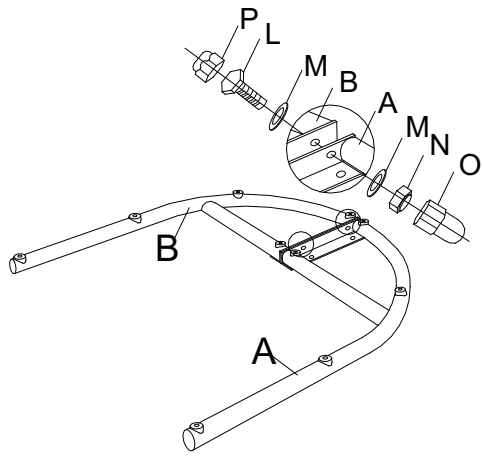
Warning:

-Maximum Capacity: 250 LBS

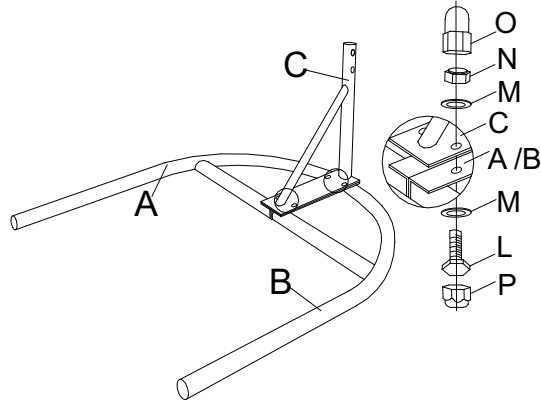
-Install on level ground, Install not less than 6 ft distance from any obstruction

-Check all nuts and bolts for tightness each time before and during use;

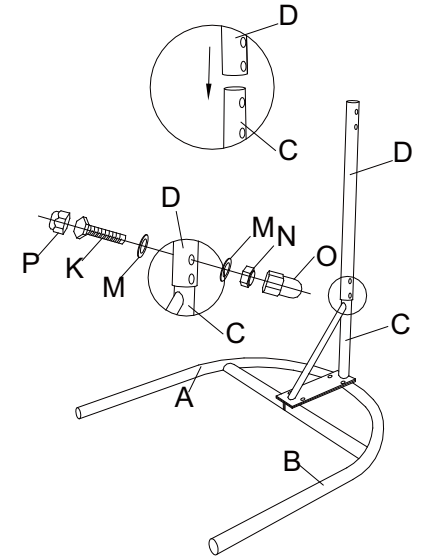
Oil all metallic moving parts during usage season



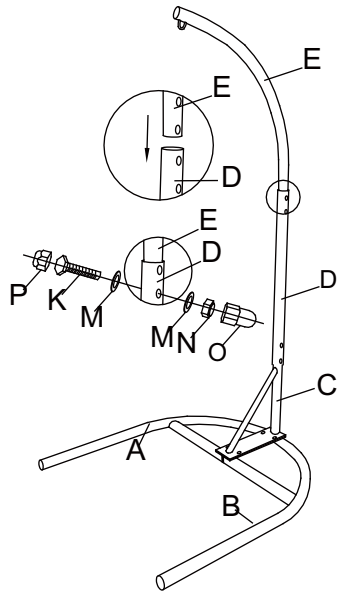
Step 1



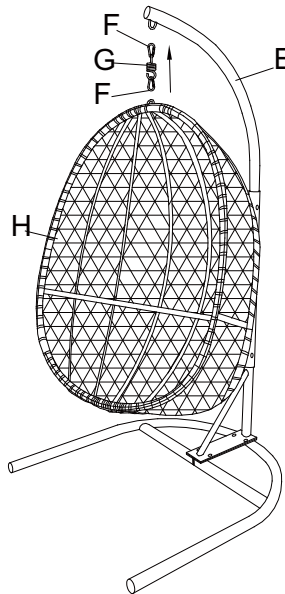
Step 2



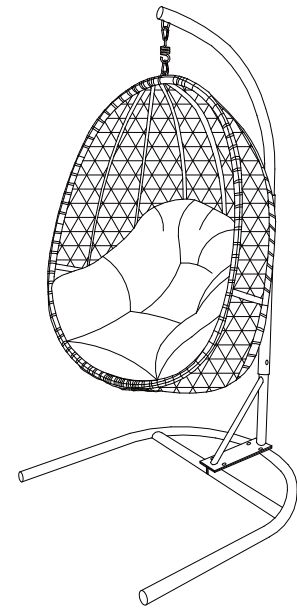
Step 3



Step 4



Step 5



Step 6

1. Pod swing on wooden deck

Use 3pcs "U" steel holders (R) with self-drill bolts(S) on swing base.



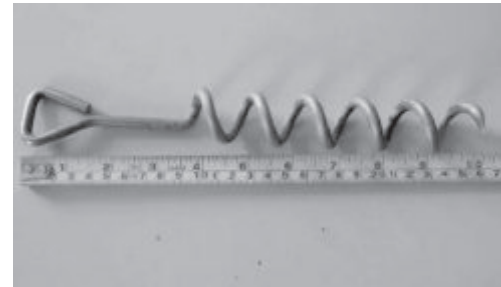
A. Tapping screw on wooden deck.

B. Use screwdriver to fasten 3pcs "U" steel holders (R) with self-drill bolts(S) on swing base.



2. Pod swing on lawn

Use 3pcs "U" steel holders (R) with screwed spikes (T) on swing base.



3. Pod swing on cement floor.

Use 3pcs "U" steel holders (R) with anchor bolts (U) on swing base.

