




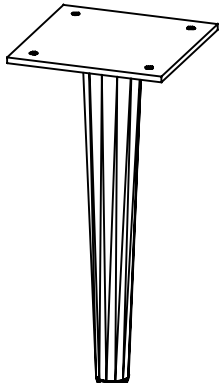


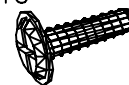
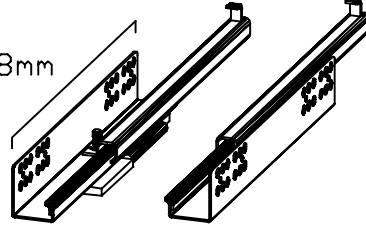
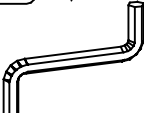


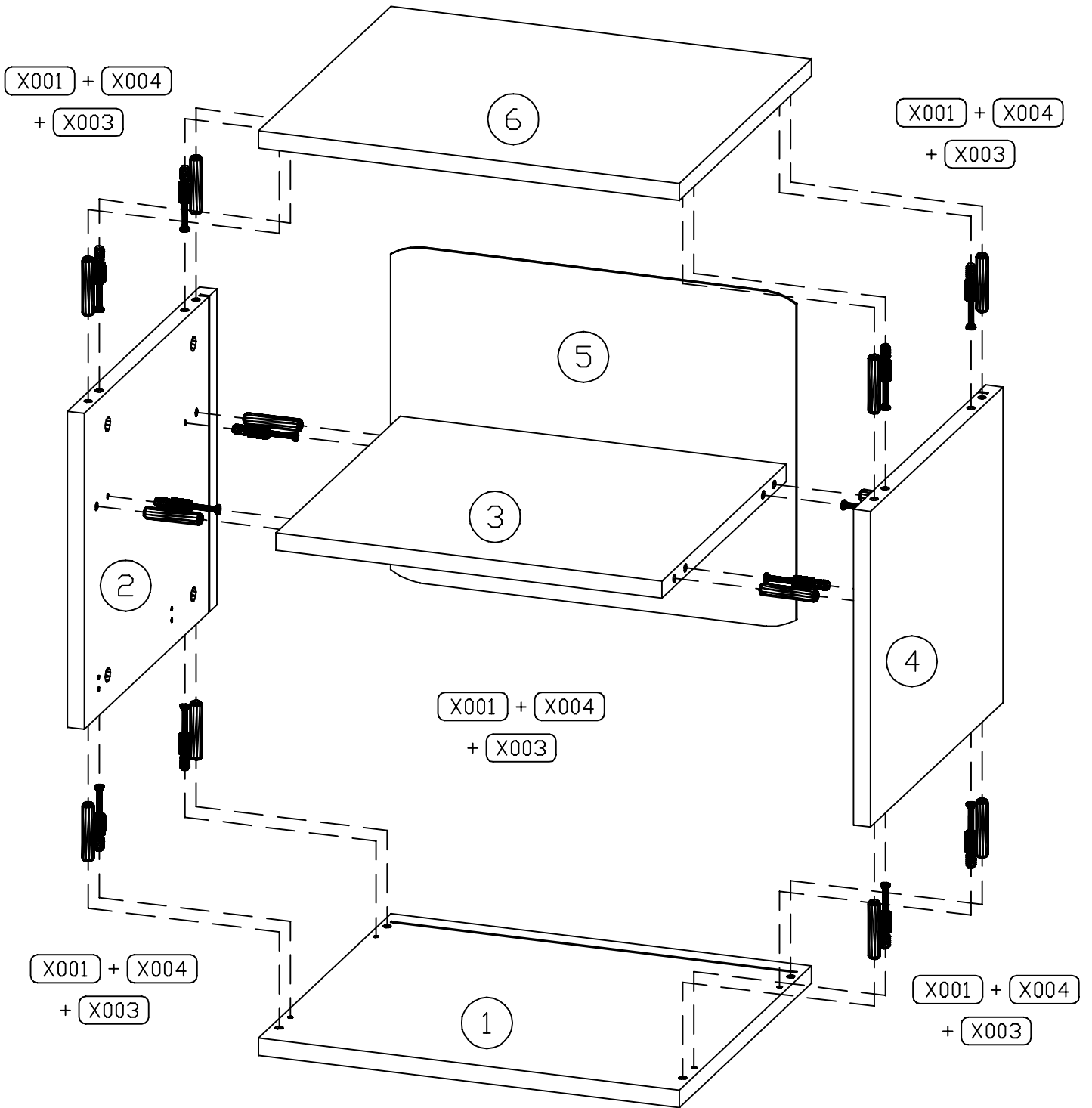
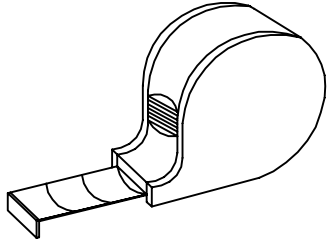


<p>X001 = 20pcs</p> 	<p>X002 = 4pcs</p> 	<p>X003 = 12pcs</p> 	<p>X004 = 16pcs</p> 	<p>X009 = 16pcs</p> 	<p>X302 = 4pcs</p> 
<p>X010 = 8pcs EURO Ø4</p> 	<p>X025 = 25pcs 3.5x16</p> 	<p>X040 = 16pcs 4.2x16</p> 	<p>X410 = 1sets 268mm</p> 		
<p>X149 = 1pcs</p> 	<p>X140 = 25pcs</p> 	<p>X120 = 5pcs</p> 	<p>PUSH TO OPEN L300</p>		

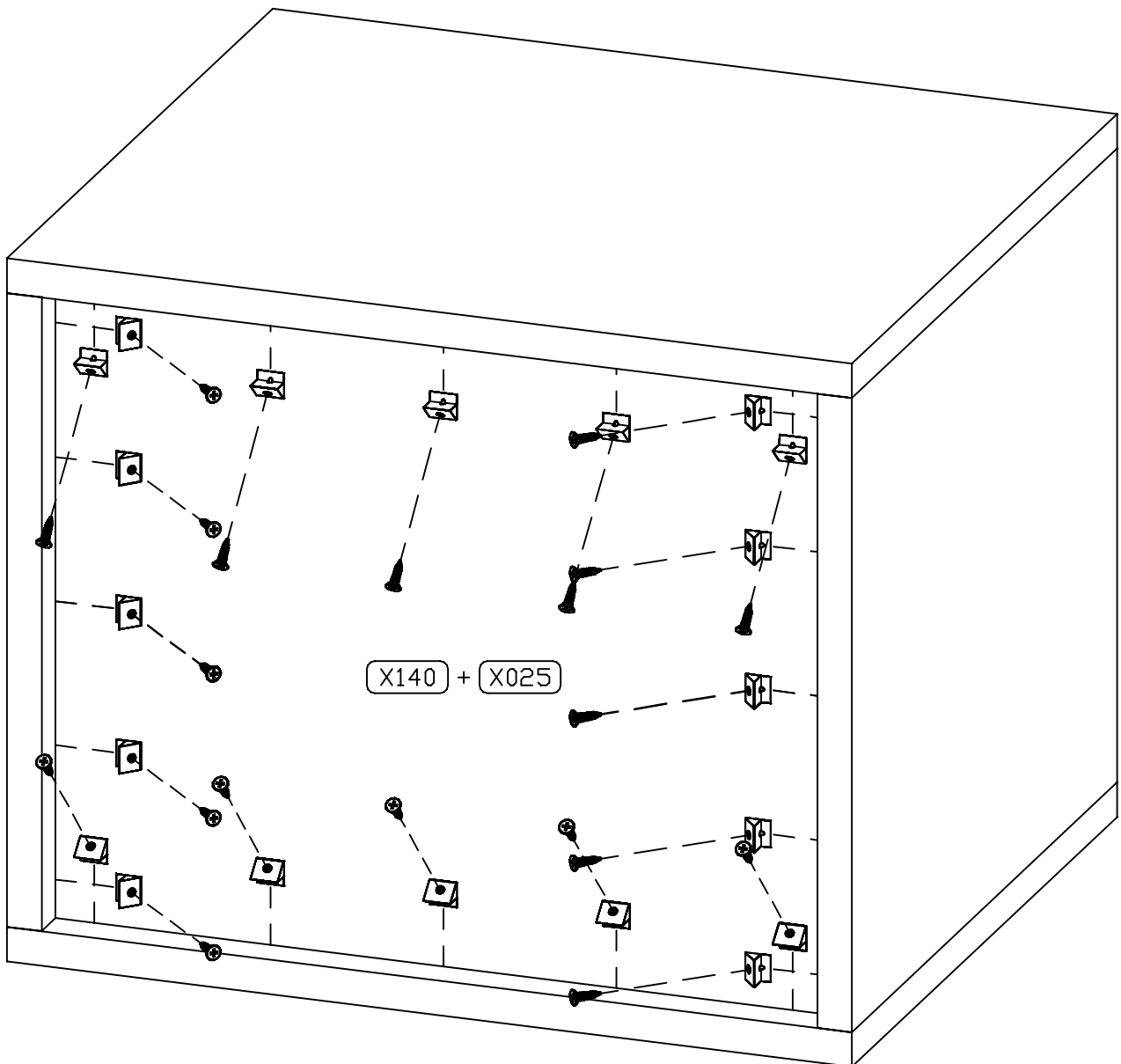
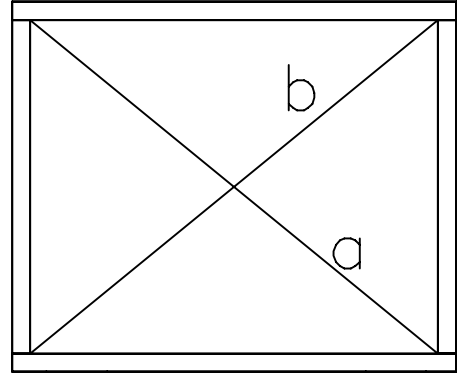
1

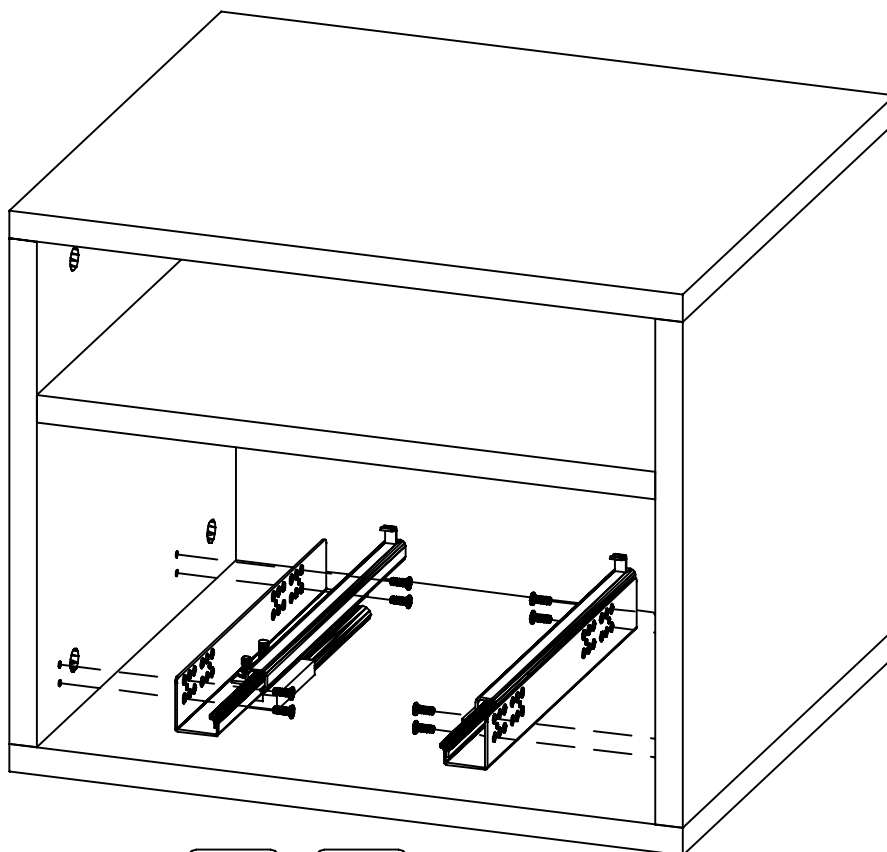


2



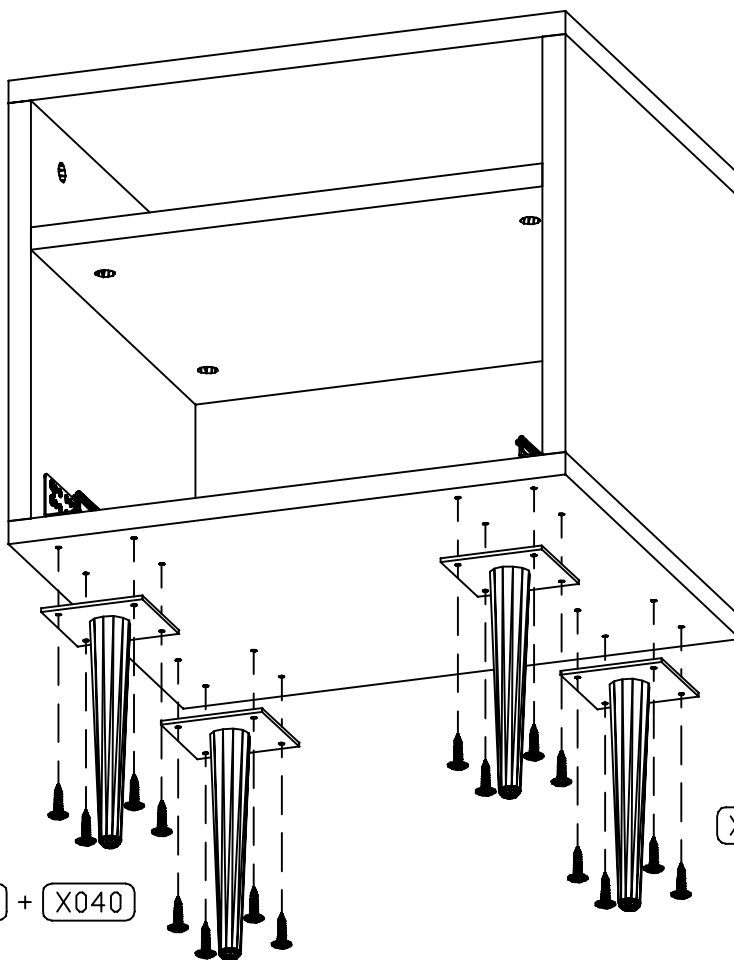
$$a = b$$





X410 + X010

6

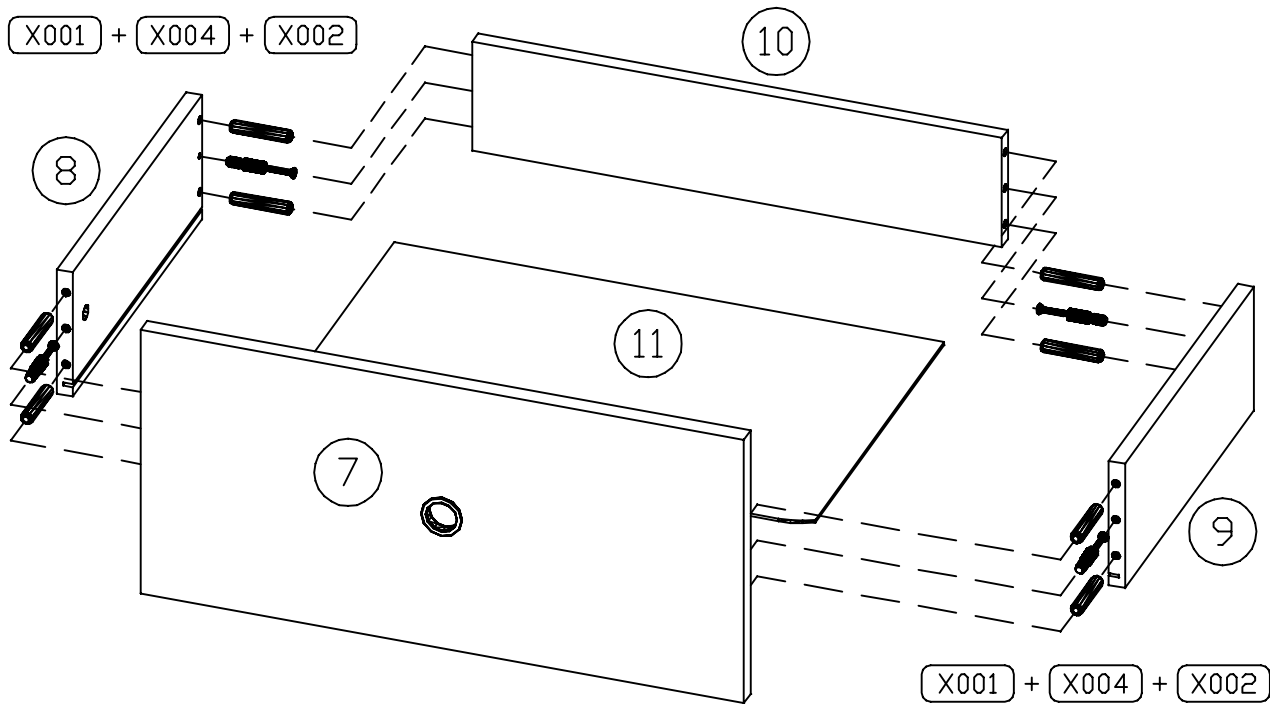


X302 + X040

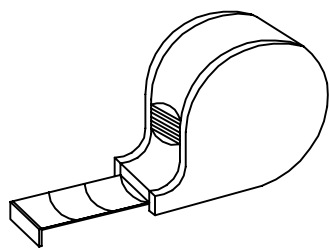
X302 + X040

5

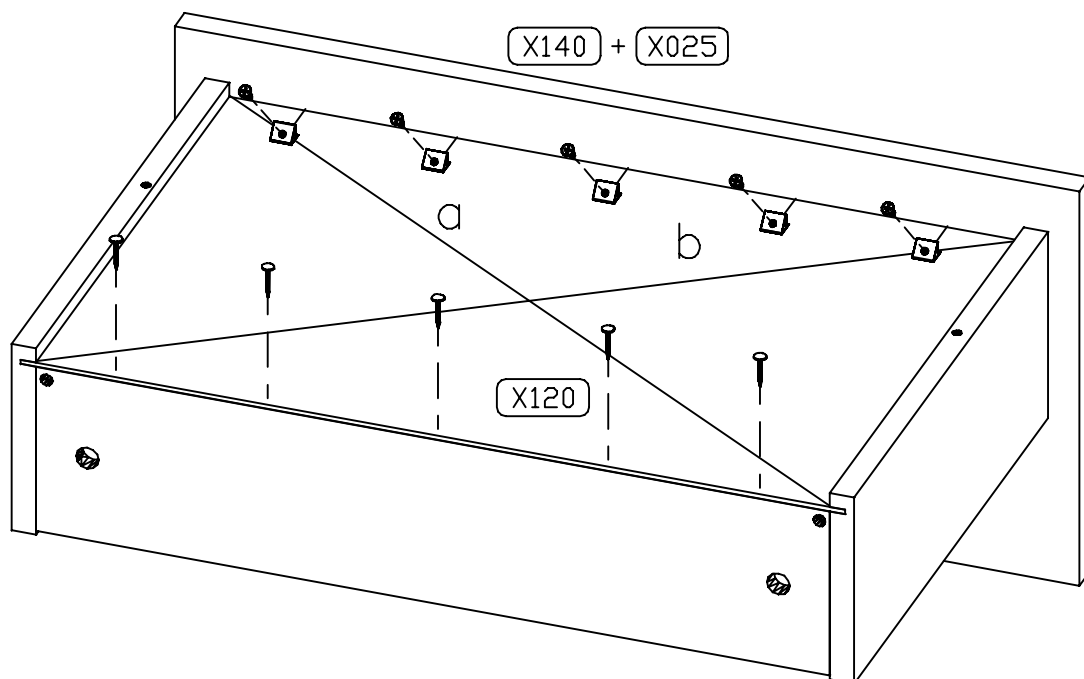
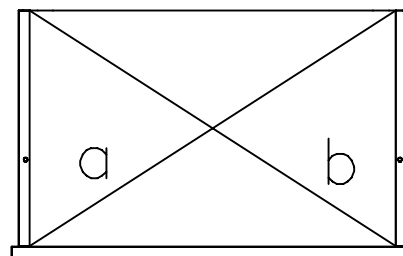
WITH HANDLE, TOP



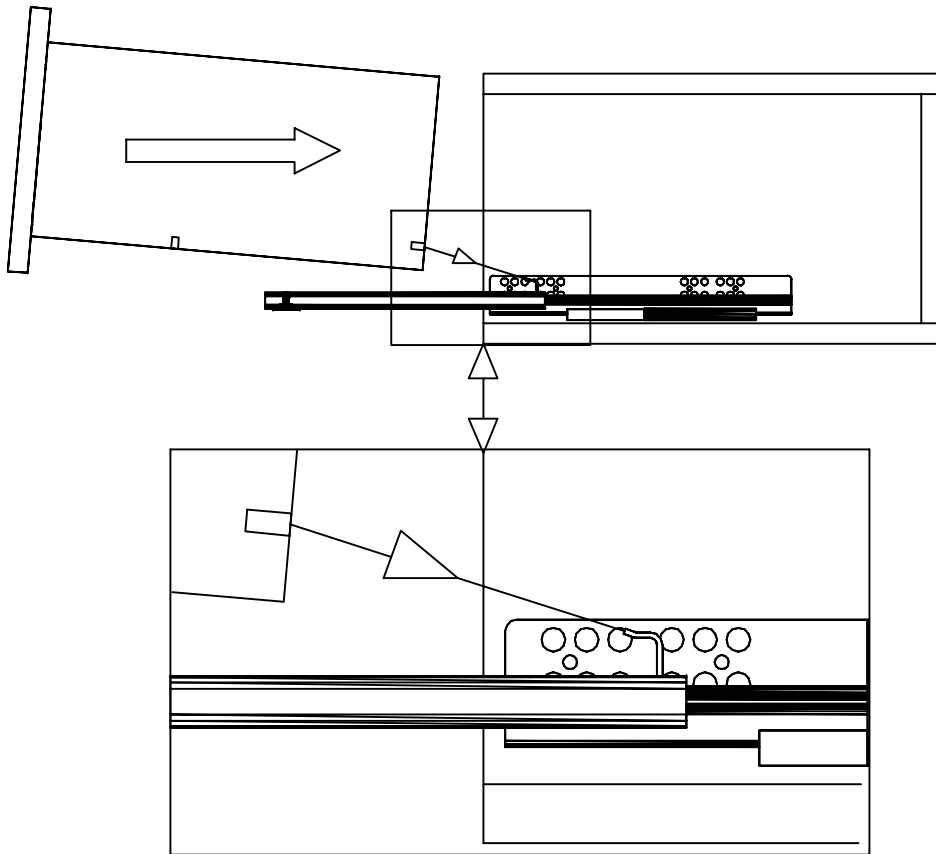
6



$a = b$



13



14

