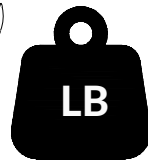
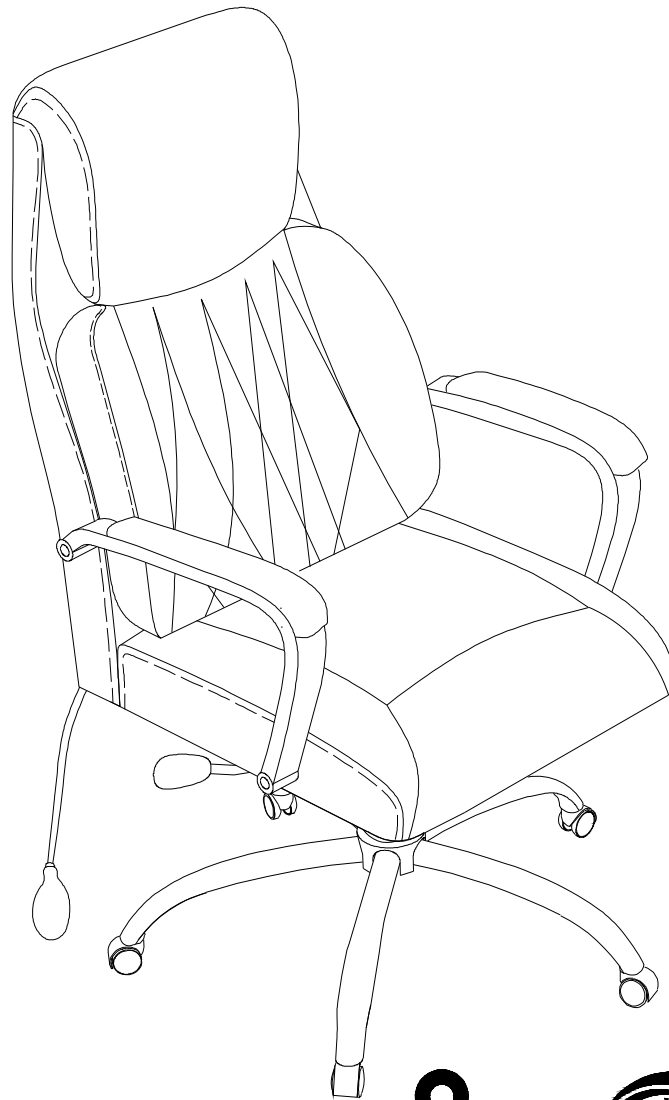


Owner Manual

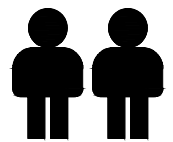


Weight Capacity

300 LBS



Installation:
15 minutes.



Two Person

Thank You For Choosing Our Furniture

- ▀ If you have any questions or concerns, don't hesitate to reach out to us. ▀

NOTE:






This brochure contains **IMPORTANT** safety info. Please read and keep it for future reference.

MAINTENANCE AND WARNINGS



Before You Start

Please follow the steps below:

-  Check the packaging for any damage, deformation, or water stains. If there is significant damage, please contact us promptly.
-  Unpack the box and compare the contents with the parts list and hardware list to ensure all components and accessories are present and complete.
-  Please read the installation instructions carefully to understand the installation steps and precautions to ensure proper installation.
-  Clean the installation area in advance and ensure the ground is level and there is enough space to avoid damaging the furniture or making installation difficult.
-  Lay a protective mat on the ground to prevent scratching the floor during installation.

After-Sales Service

- If you encounter any issues or need technical support during use, please contact our after-sales team. We offer long-term maintenance and warranty services.



Precautions

- ⚠ This product is for indoor use only. Do not expose it to outdoor elements or high-humidity environments.
- ⚠ Keep the product away from high heat or open flames to prevent fire hazards.
- ⚠ Do not allow children to climb on the product, as this may cause tipping and result in personal injury.



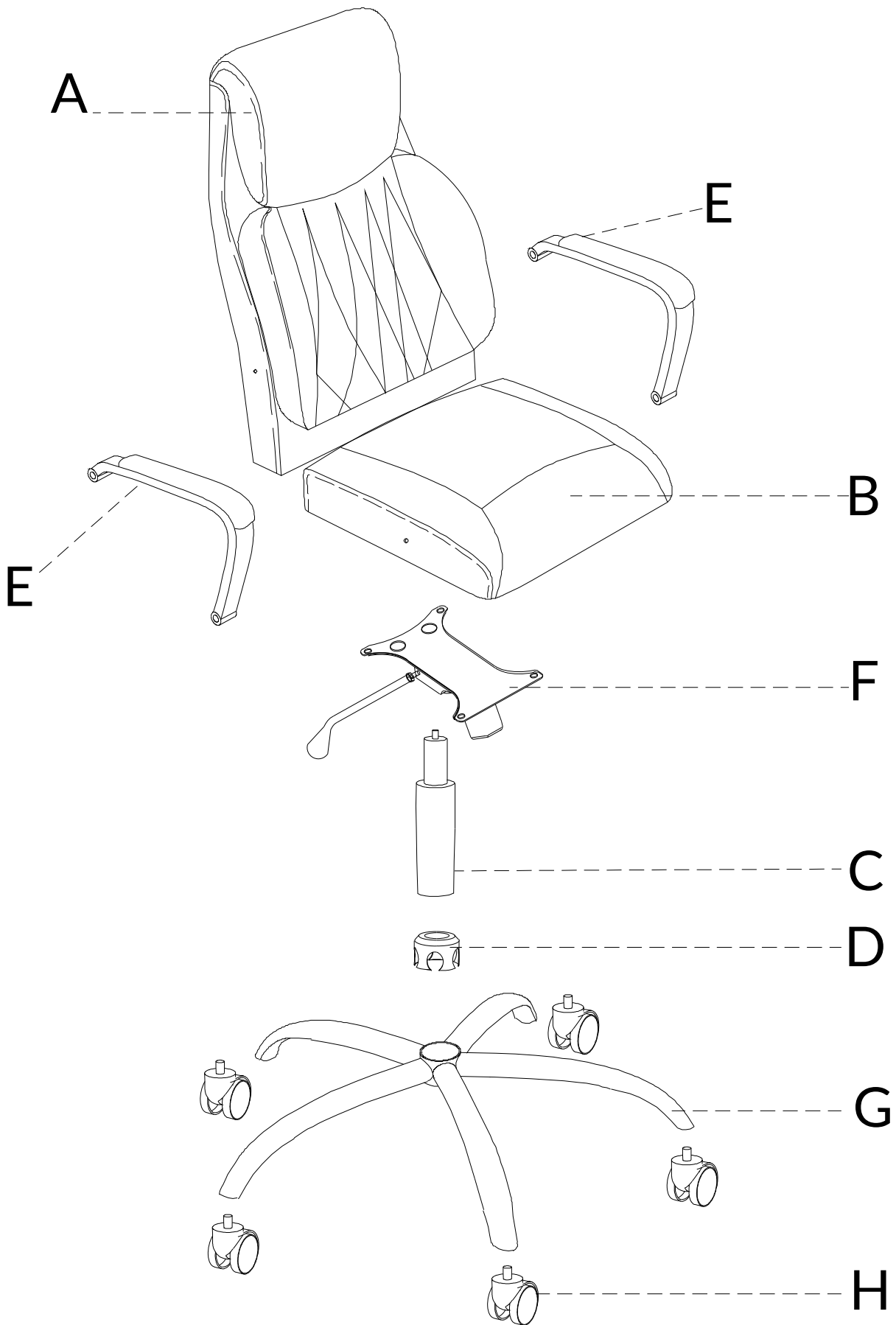
Safety Warnings

- ⚠ If you notice any loose or damaged parts, stop using the product immediately and contact customer service.
- ⚠ Do not attempt to disassemble or replace any components yourself, as this may affect the stability and safety of the product.

Daily Maintenance

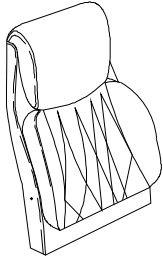
- Regularly clean the surface with a soft cloth to prevent dust accumulation.
- Do not use cleaning agents containing acids, alkalis, or corrosive substances, as they may damage the surface. It is recommended to use neutral cleaning agents or specialized furniture cleaners.
- Avoid exposing furniture to humid environments for extended periods. Use a dehumidifier or desiccant during humid weather.
- Avoid direct contact of furniture with water. If water is accidentally spilled, wipe it dry immediately.
- Avoid placing excessively heavy objects on the furniture: ensure the weight is within a reasonable load-bearing range.
- Avoid using sharp or rough items on the furniture surface to prevent scratches. Handle items gently when moving them.

Explosive view

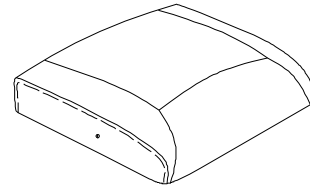


Parts list

A x1 Back cushion



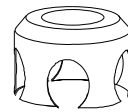
B x1 Seat cushion



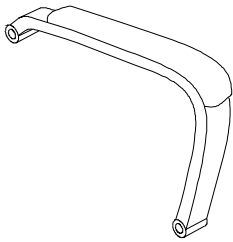
C x1 Gas lift



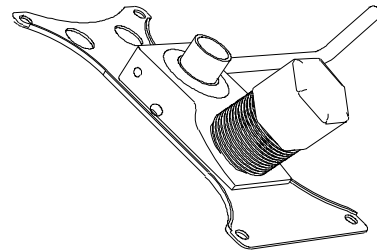
D x1 Metal base cap



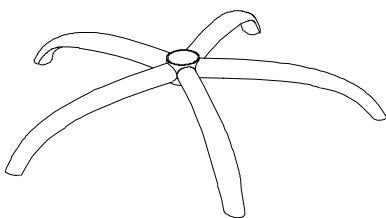
E x2 Armrest



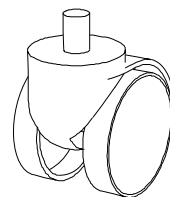
F x1 Mechanism



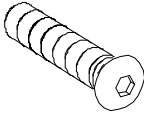
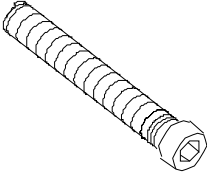

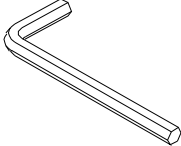
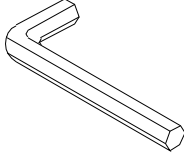
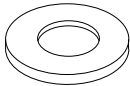

G x1 Spider base

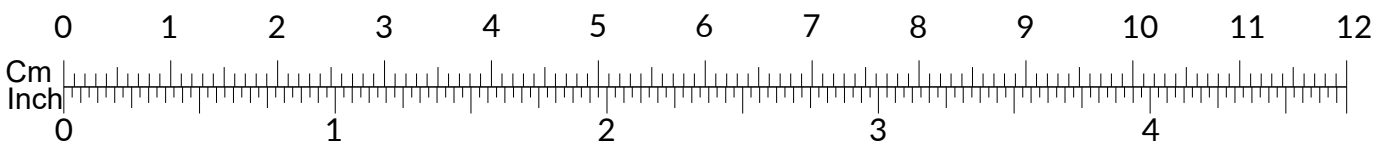


H x5 Casters



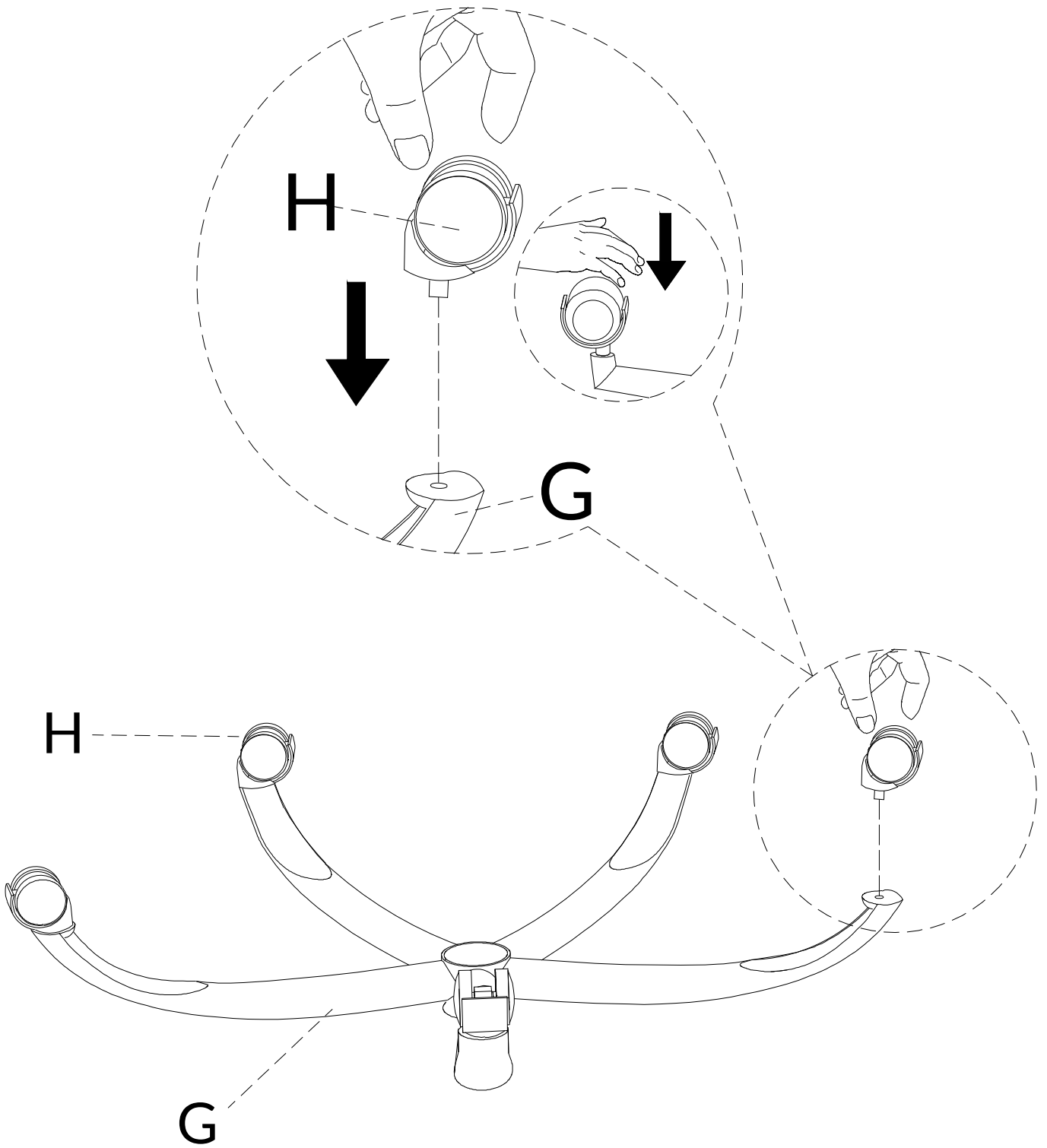
Hardware List

<p>①x8+1 Bolt</p>  <p>M6x20mm</p>	<p>②x4+1 Bolt</p>  <p>M8x50mm</p>	<p>③x4+1 Plug</p> 
<p>④x1 Allen Key</p>  <p>M6</p>	<p>⑤x1 Allen Key</p>  <p>M8</p>	<p>⑥x8+1 Washer</p>  <p>M8</p>
<p>⑦x8+1 Spring washer</p>  <p>M8</p>		

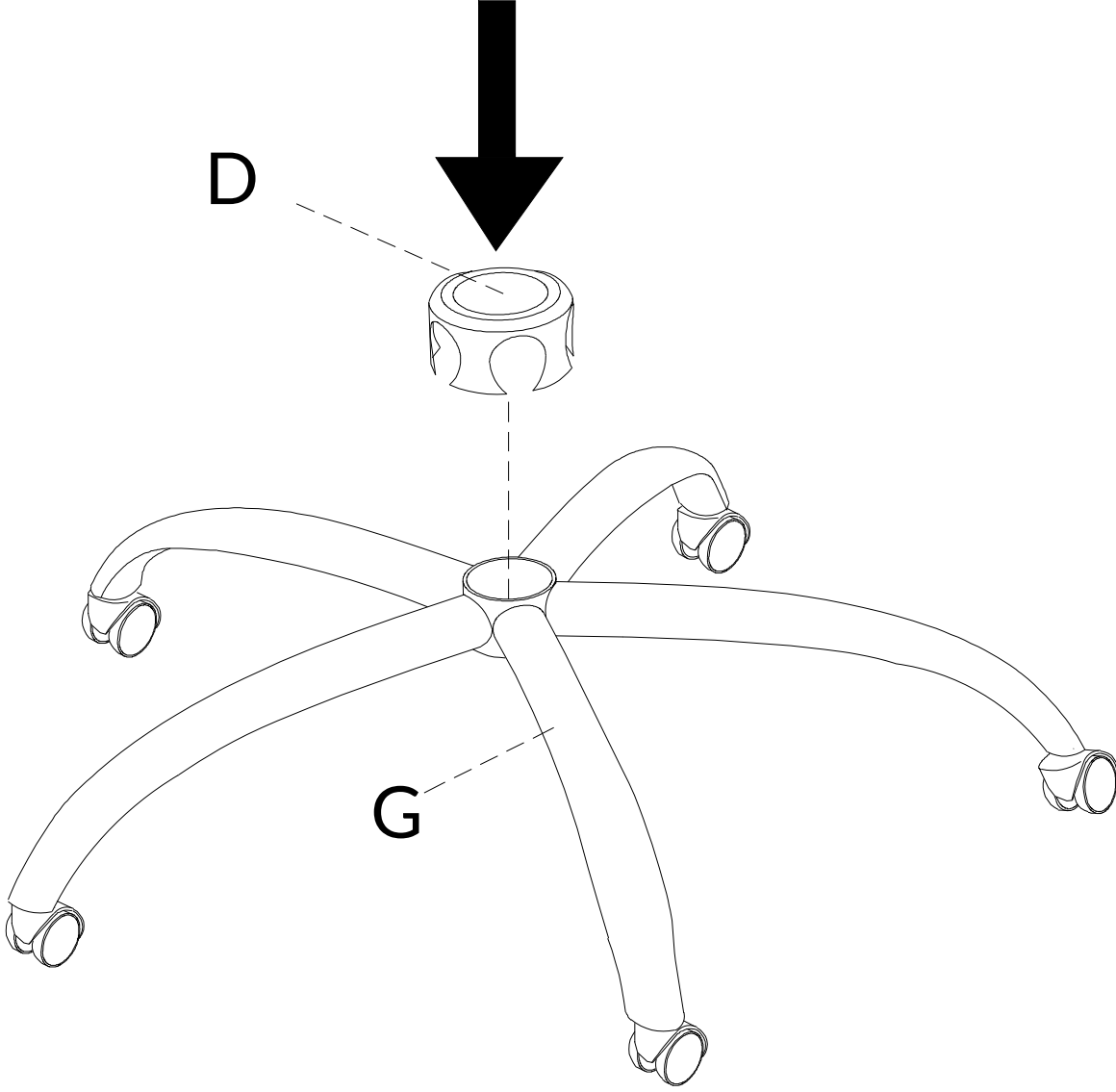


Note: Before installing the screws, please first distinguish the length of the screw rods.

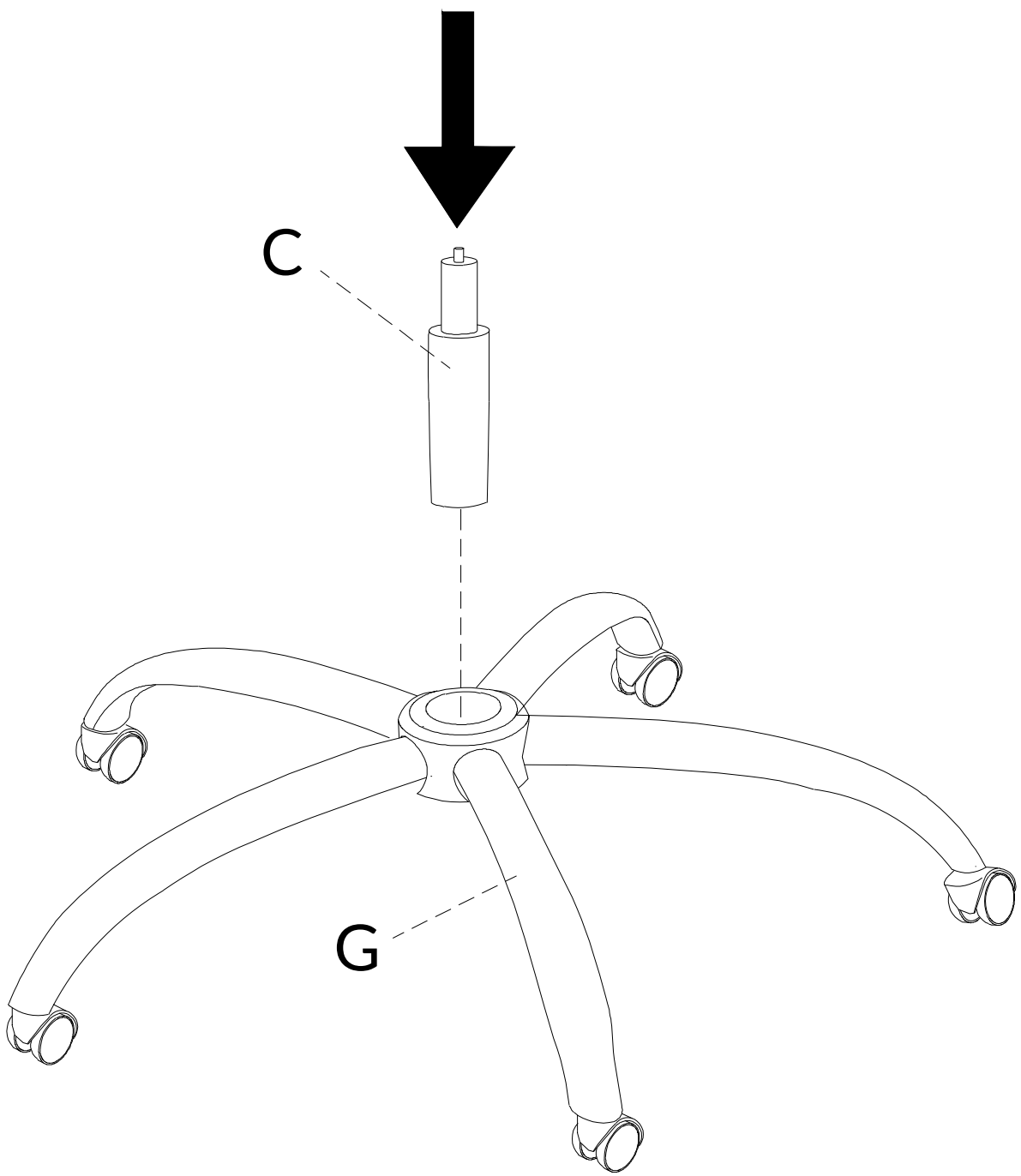
Step 1



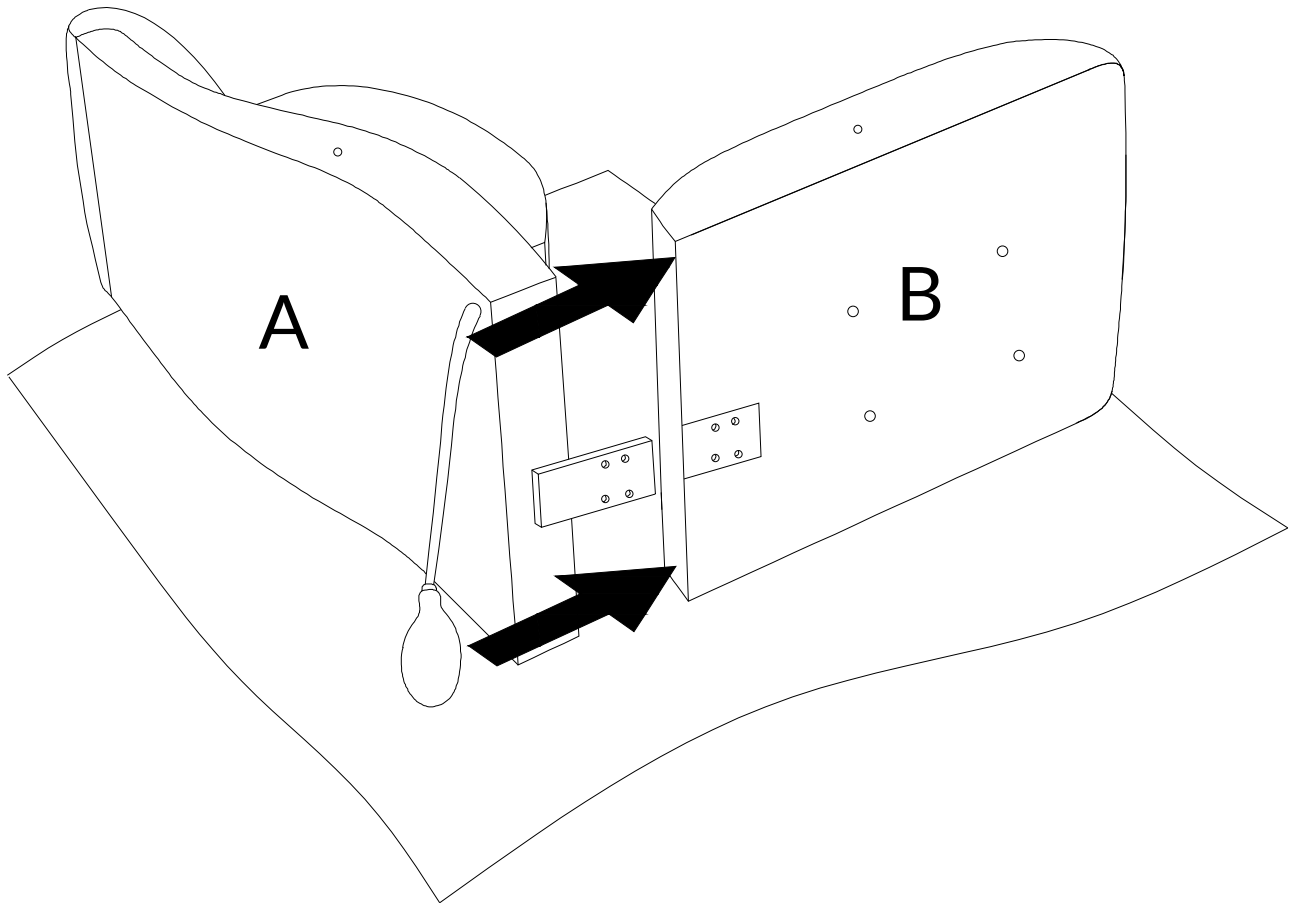
Step 2



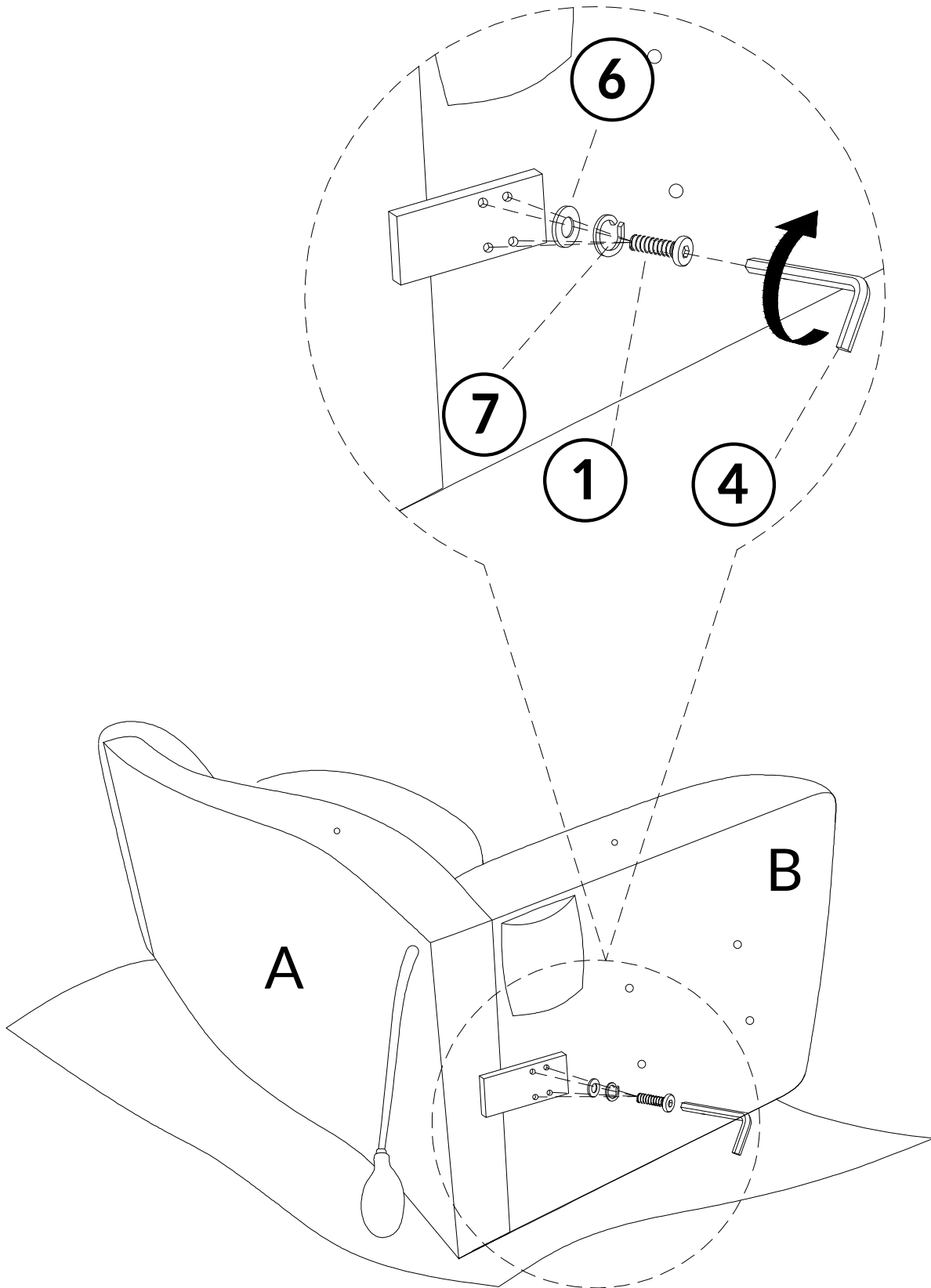
Step 3

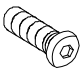
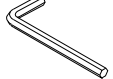




Step 4

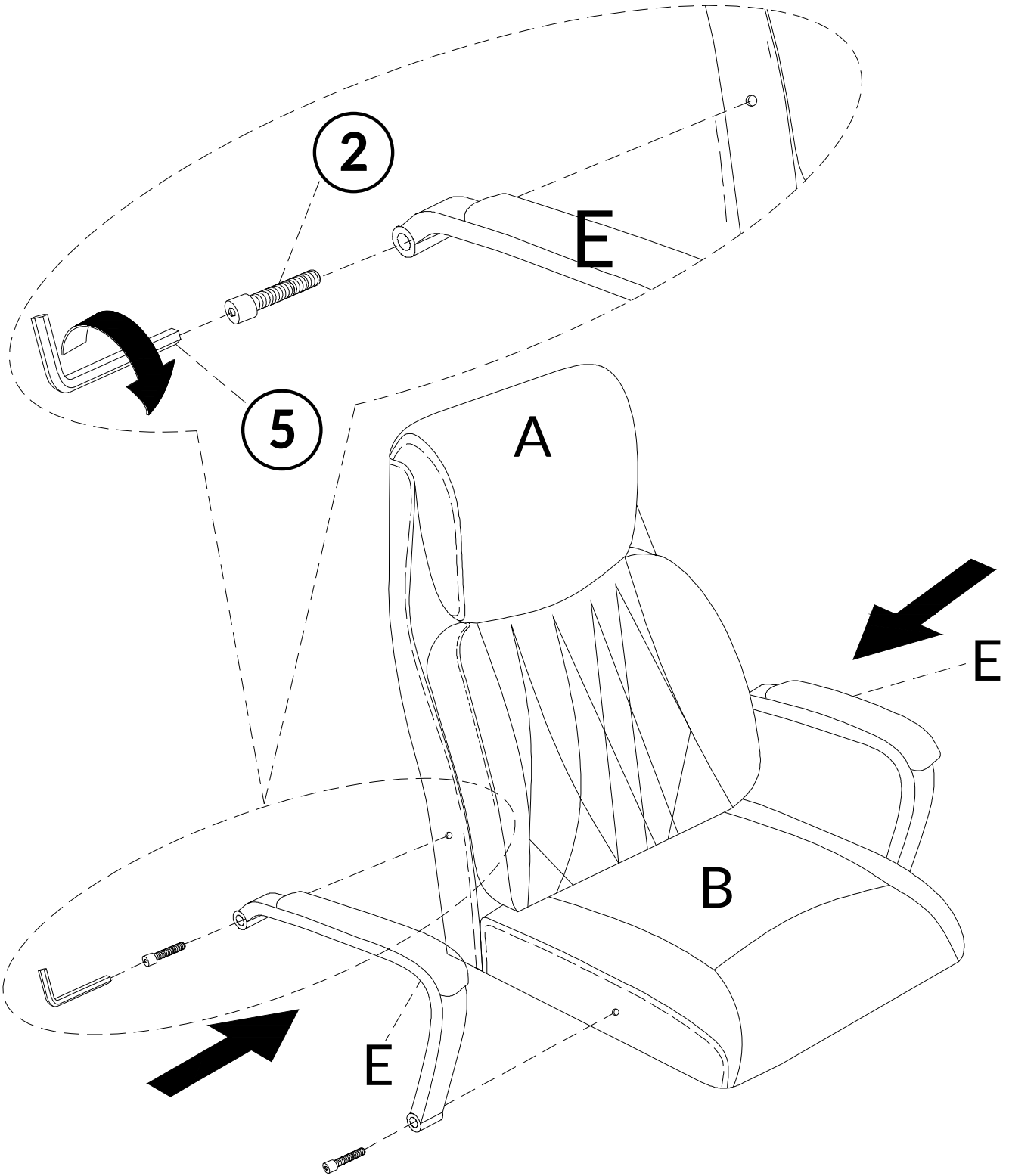



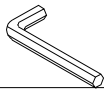
Step 5



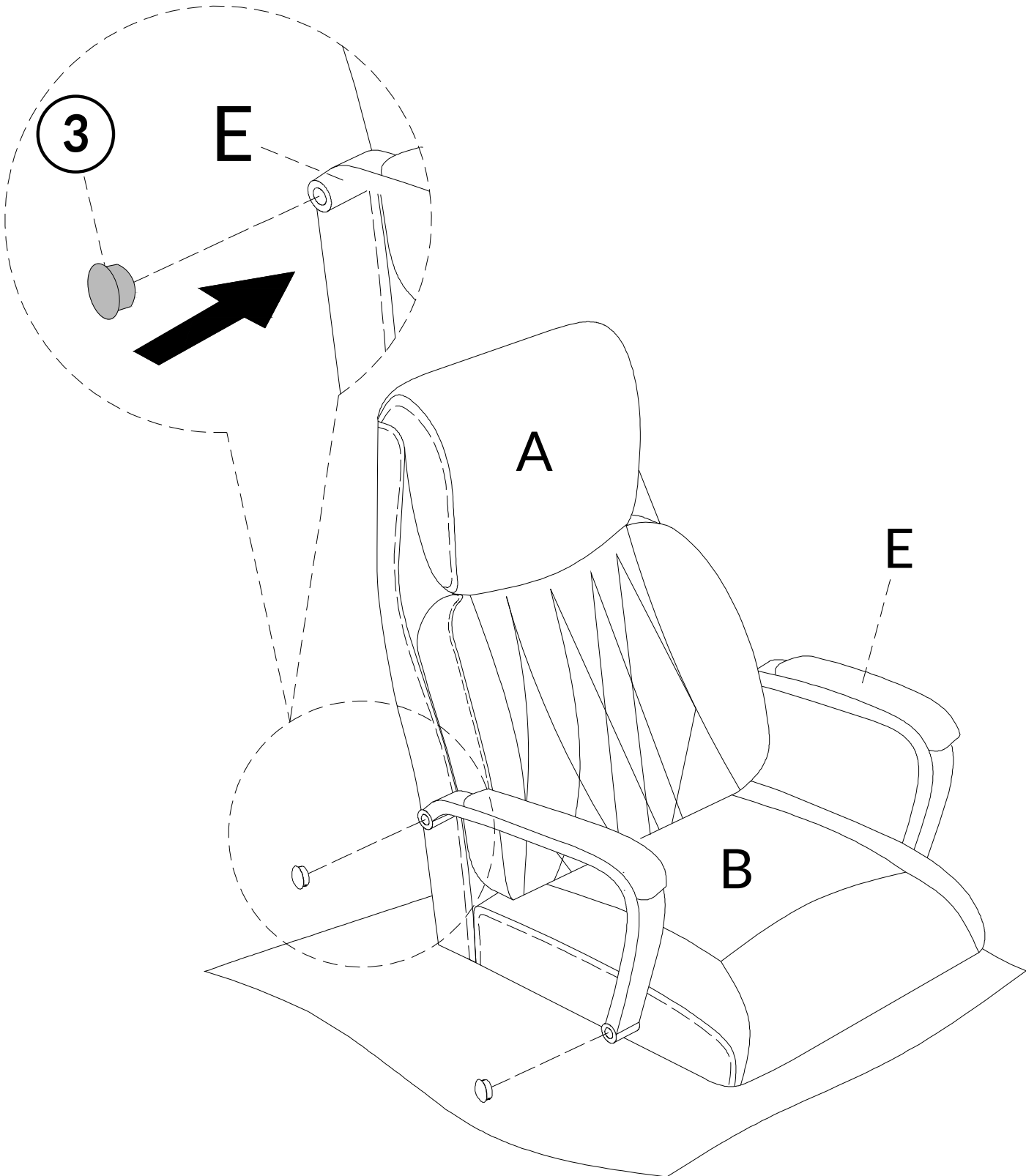
①x4	④x1	⑥x4	⑦x4
			
M6*20mm	M6	M8	M8


Step 6



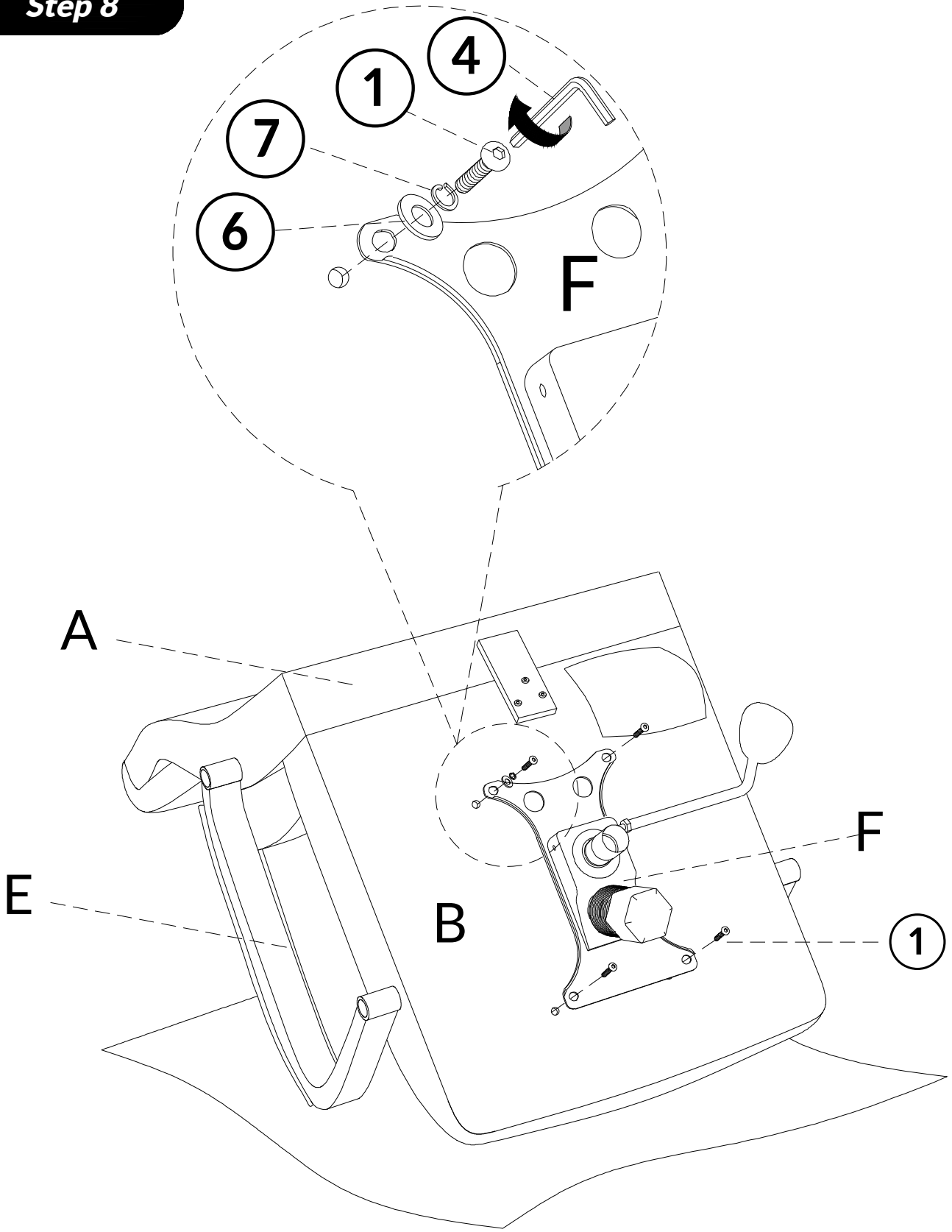
②x4	⑤x1
	
M8*50mm	M8

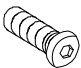



Step 7



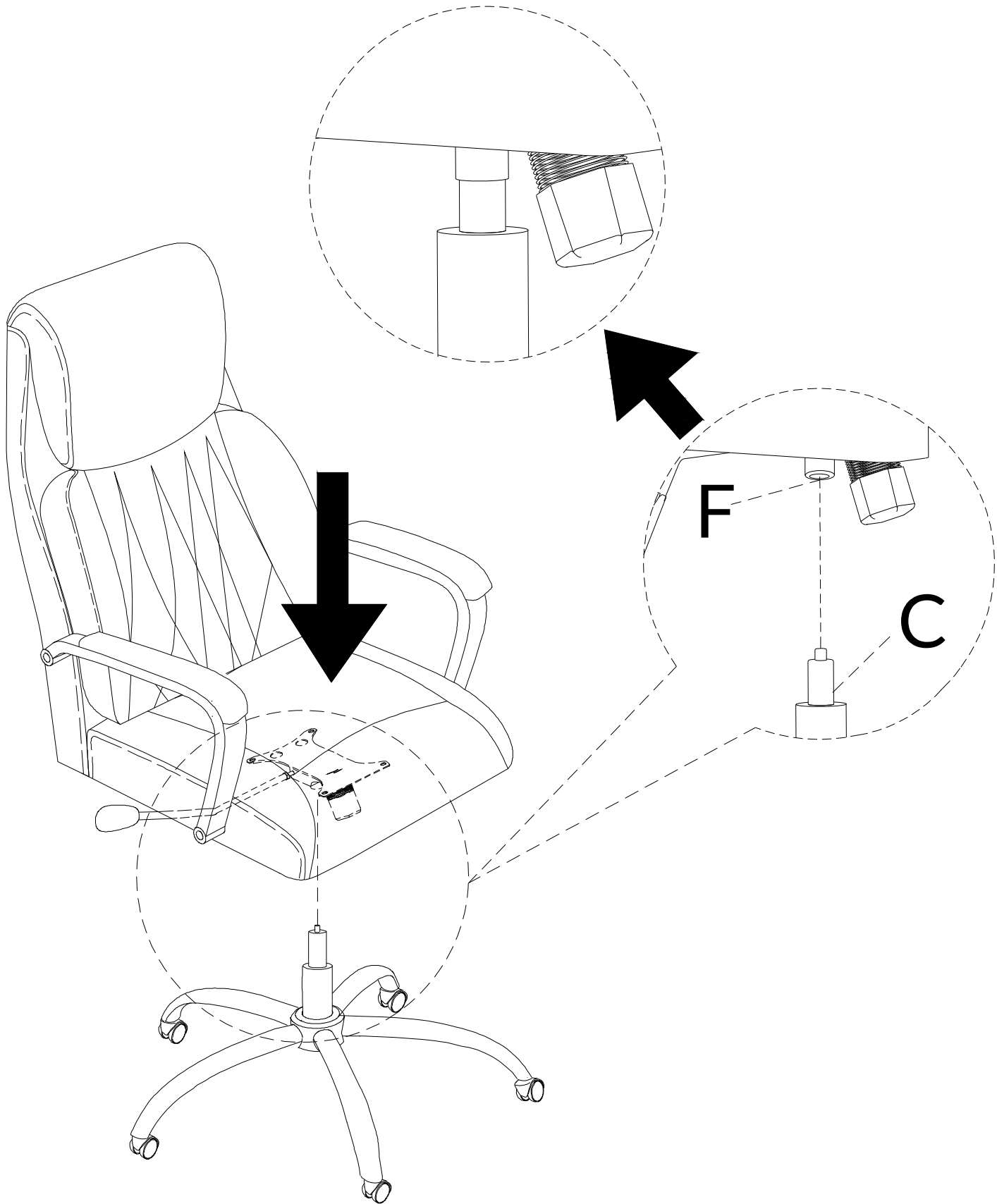
③x4


Step 8



①x4	④x1	⑥x4	⑦x4
			
M6*20mm	M6	M8	M8

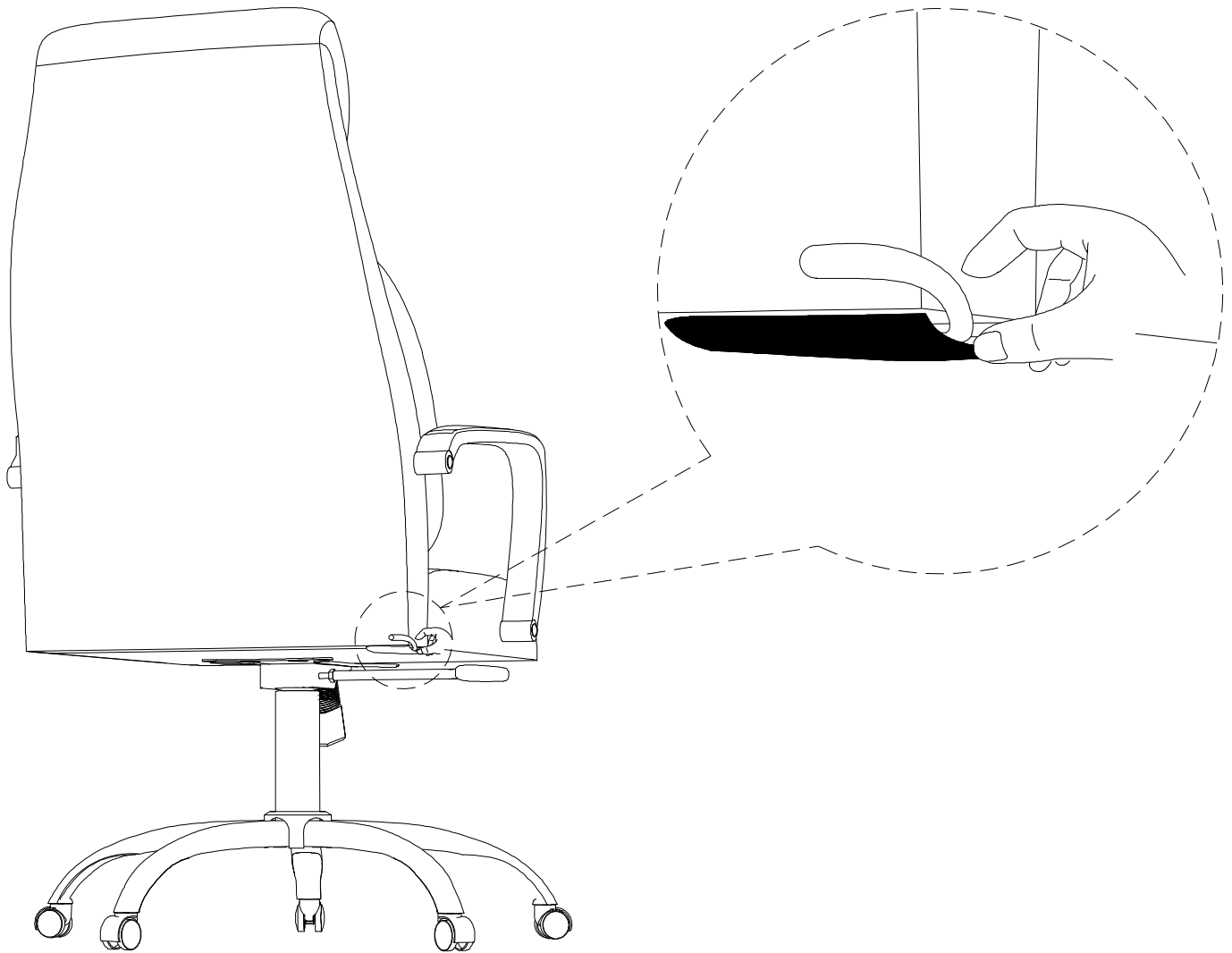
Step 9



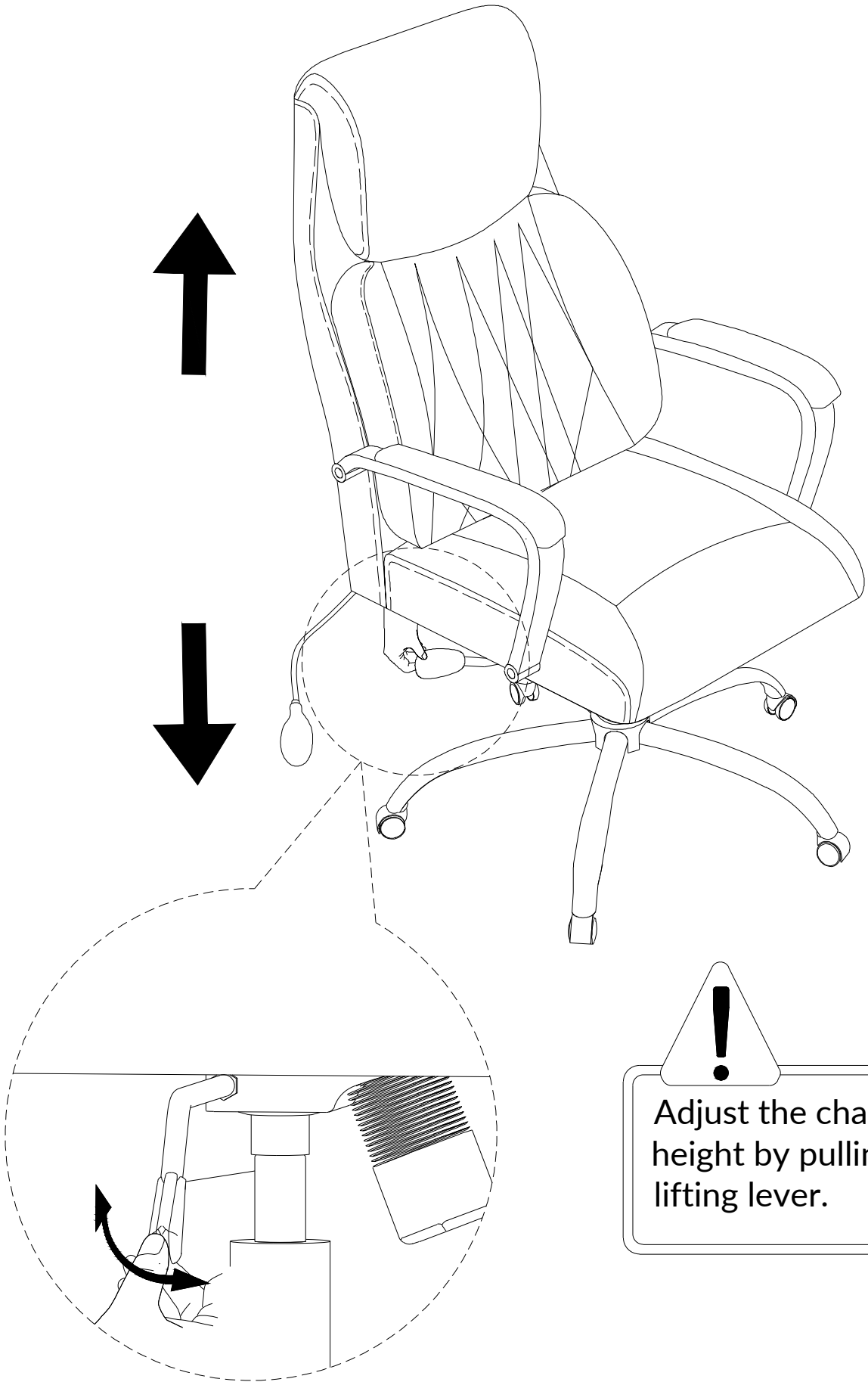
Step 10



You can stow the stress ball in the pocket located under the seat.

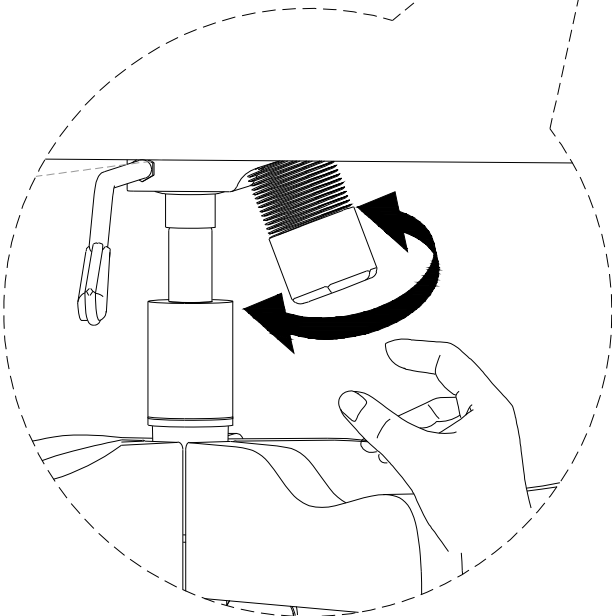
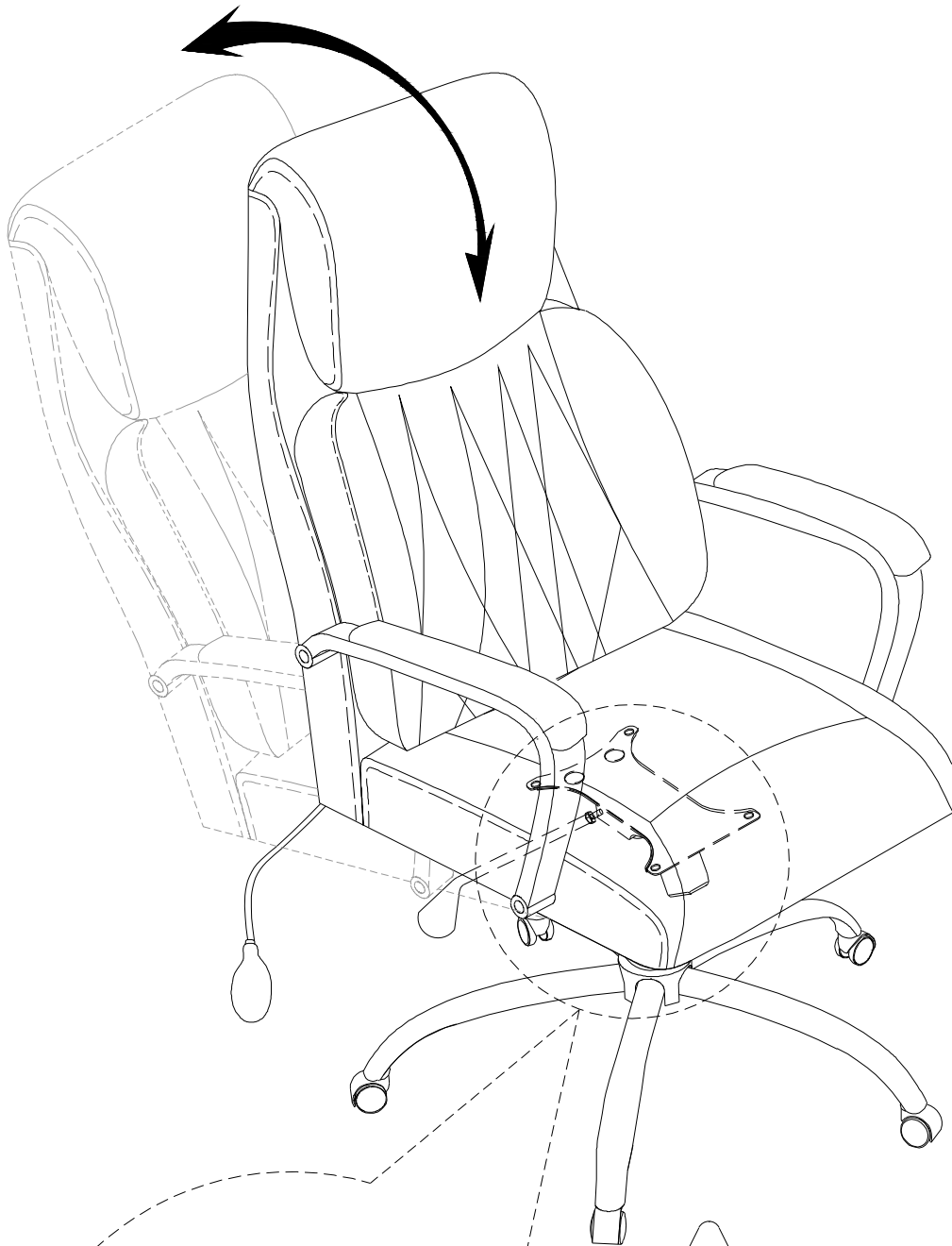


Step 11



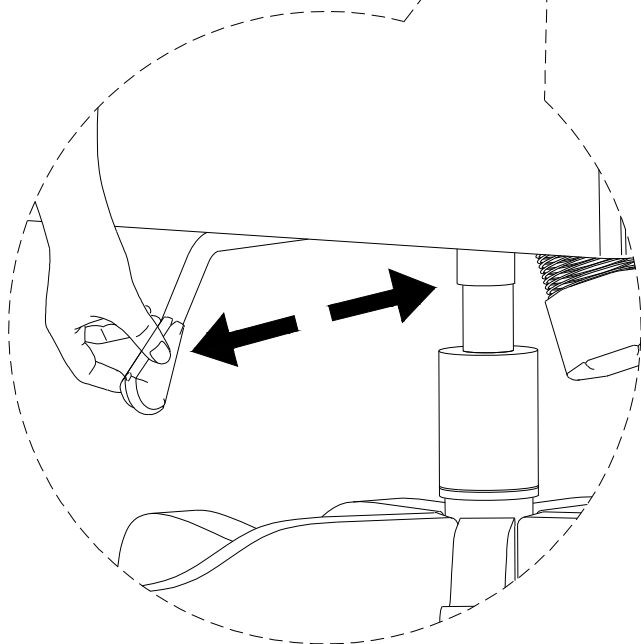
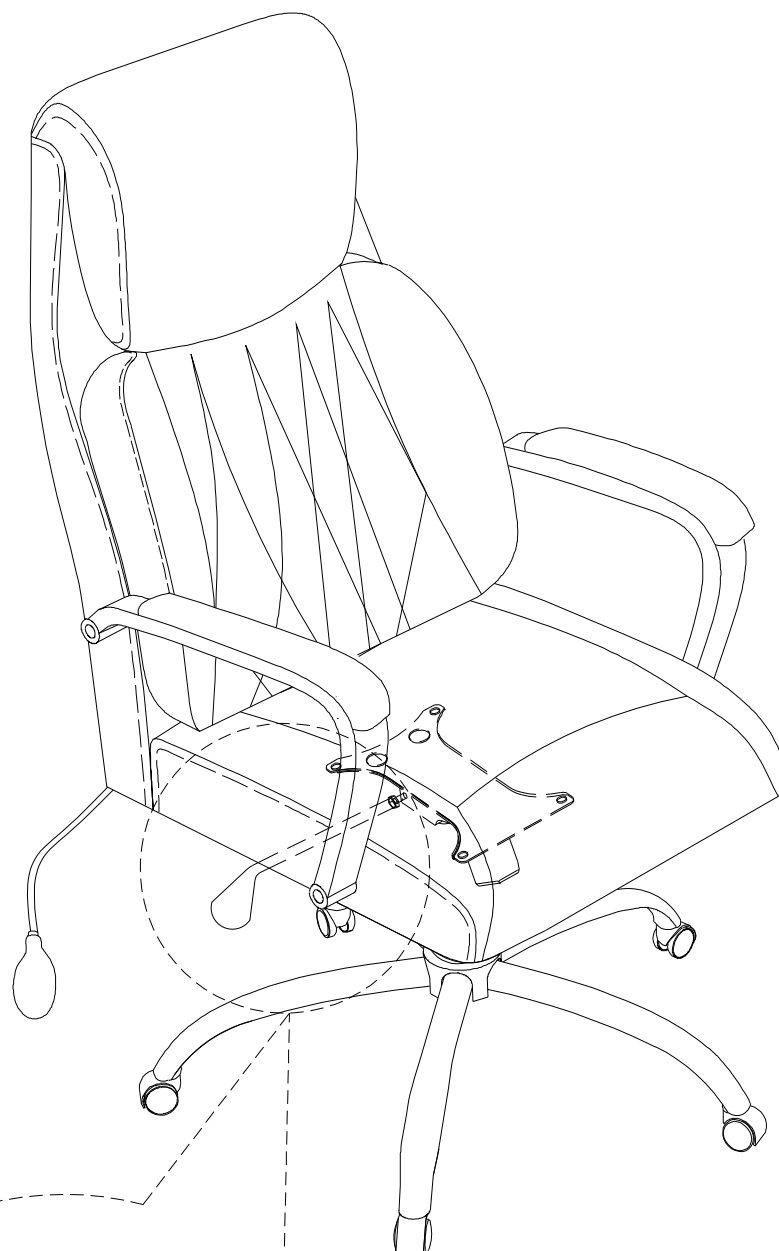
!
Adjust the chair height by pulling lifting lever.

Step 12



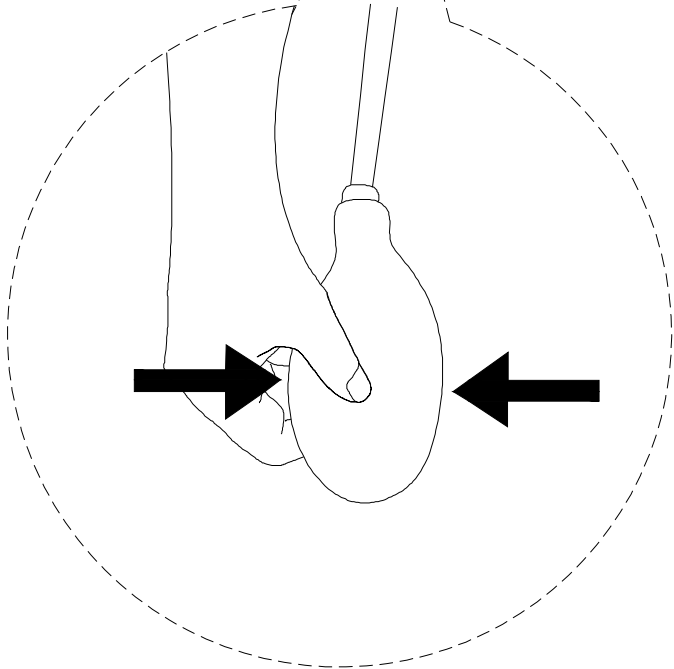
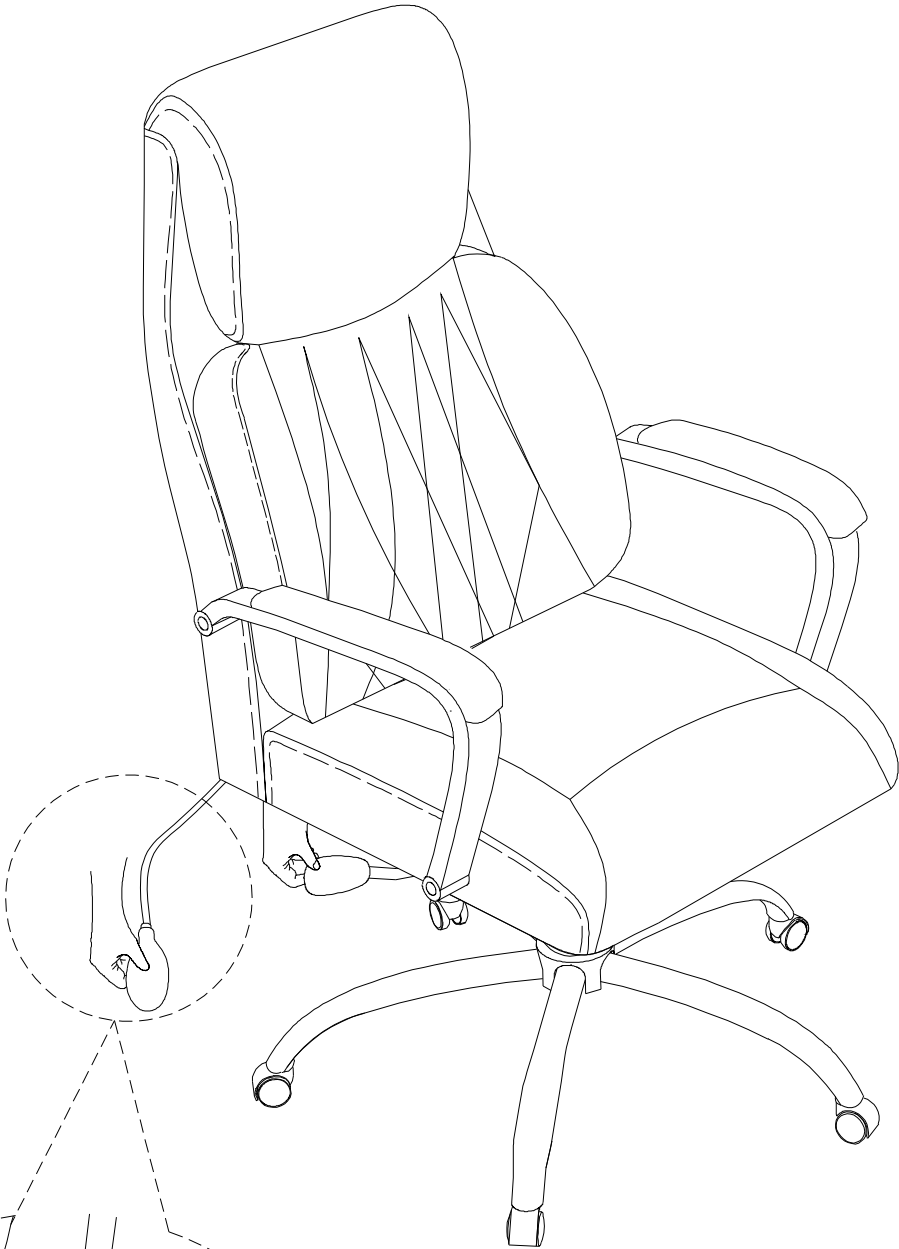
!
Turn the knob to adjust the range of the backrest rocking tilt angle.

Step 13



!
To insert or remove the handle, ensure the seat is upright. When the handle is inserted, the seat is locked and will not tilt.

Step 14



!
You can adjust the backrest by squeezing the stress ball.

WARRANTY

- We strive to offer quality products, and we also try our best to satisfy every customer who orders from us with products or services as needed.
- Replacement parts can be purchased from our company if available.
- For returns, please check the return policy with the retailer or marketplace where you purchased the item.