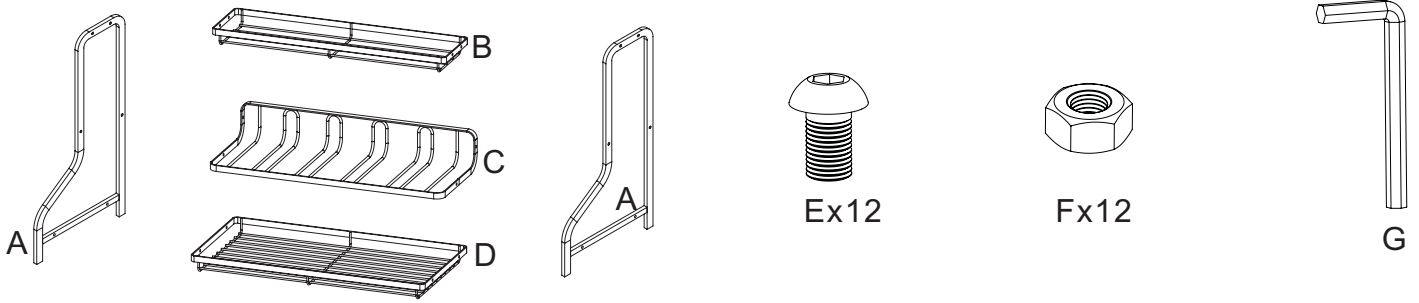


# Installation Manual

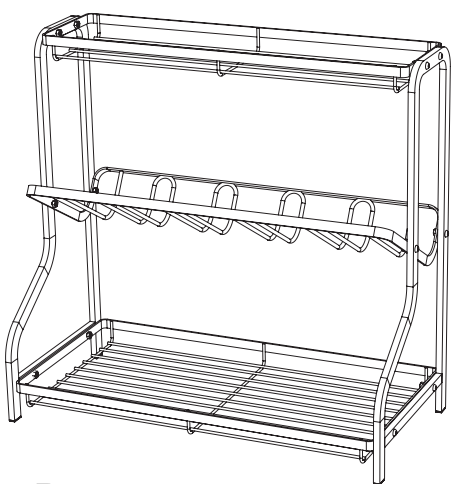
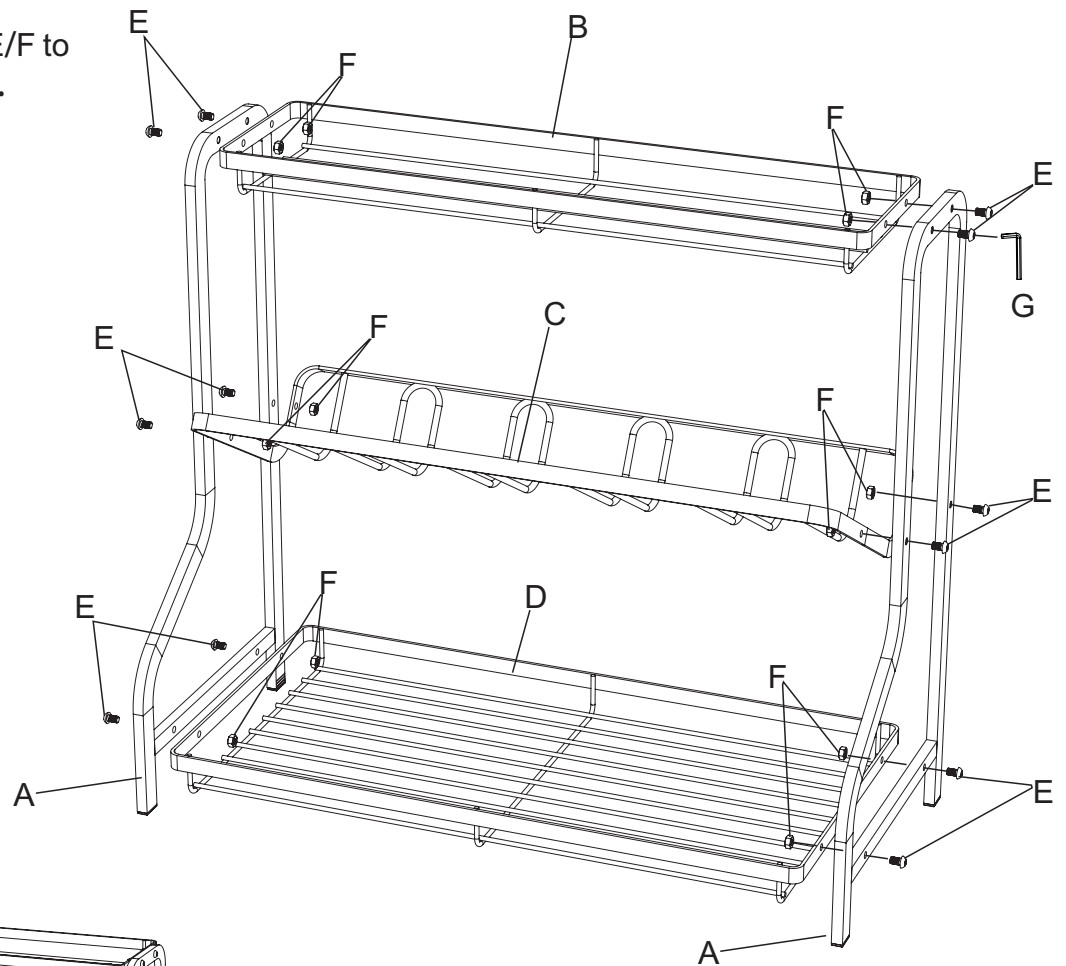
## Components



## Installation Guide

### Step 1:

Use tool G and screws E/F to install A/B/C/D as show.



Done