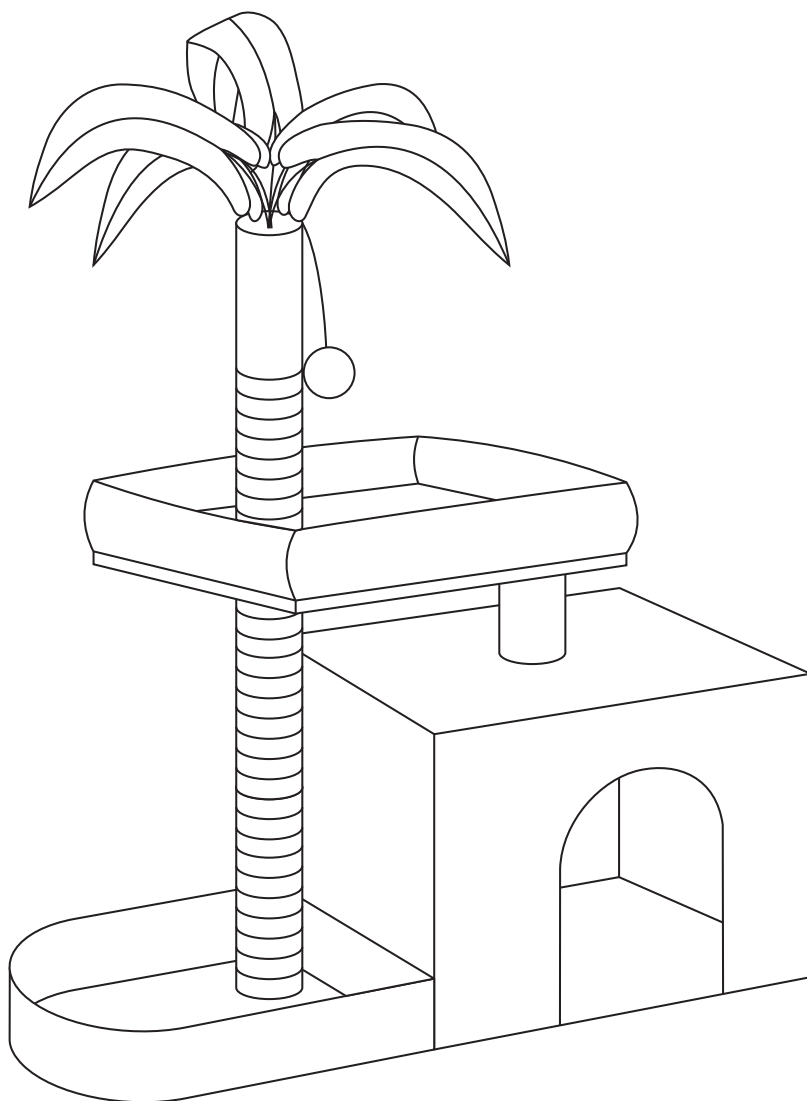


# CAT TREE ASSEMBLY INSTRUCTION

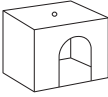
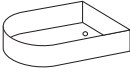



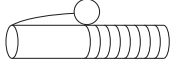

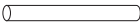




SKU:A69-CT-006-32




Scan the QR code to view the assembly video.

## Parts list

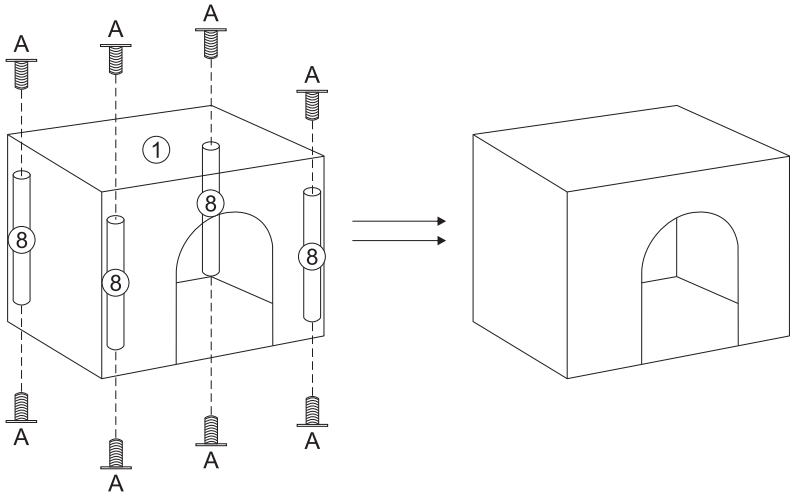
#	Size	Figure	Quantity
1	38*27cm		1
2	39*26cm		1
3	36*28cm		1
4	44*15cm		5
5	22cm		2
6	32cm		1
7	14cm		1
8	28.5cm		4
A	M8*40mm		11
B	M8*80mm		2

## Tools Required

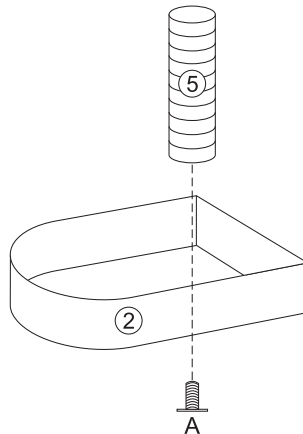
#	Size	Figure	Quantity
1	M5		1

# Assembly Instructions

Step 1:

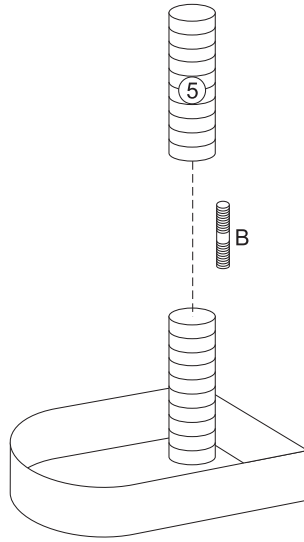


Step 2:

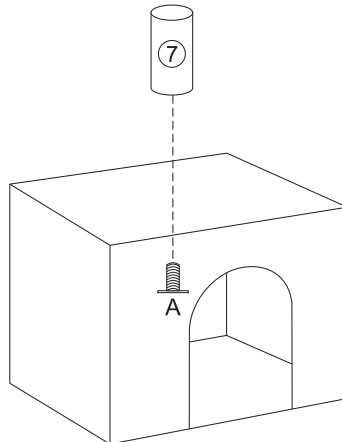


# Assembly Instructions

Step 3:

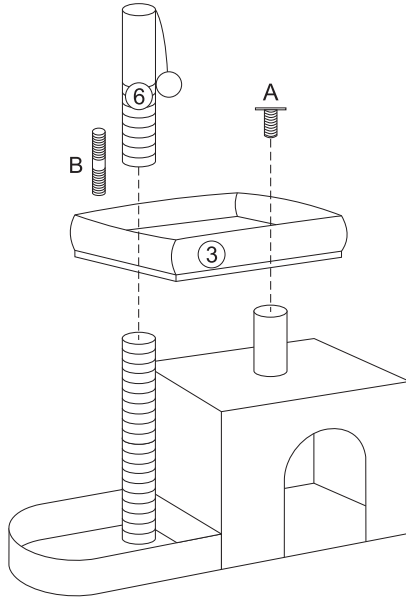


Step 4:



# Assembly Instructions

Step 5:



Step 6:

