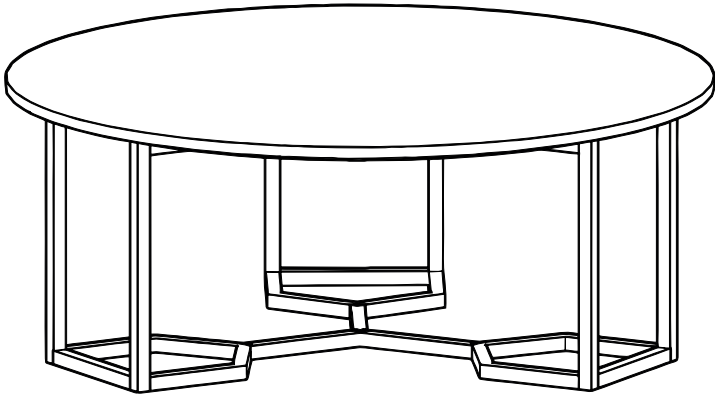
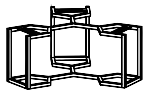




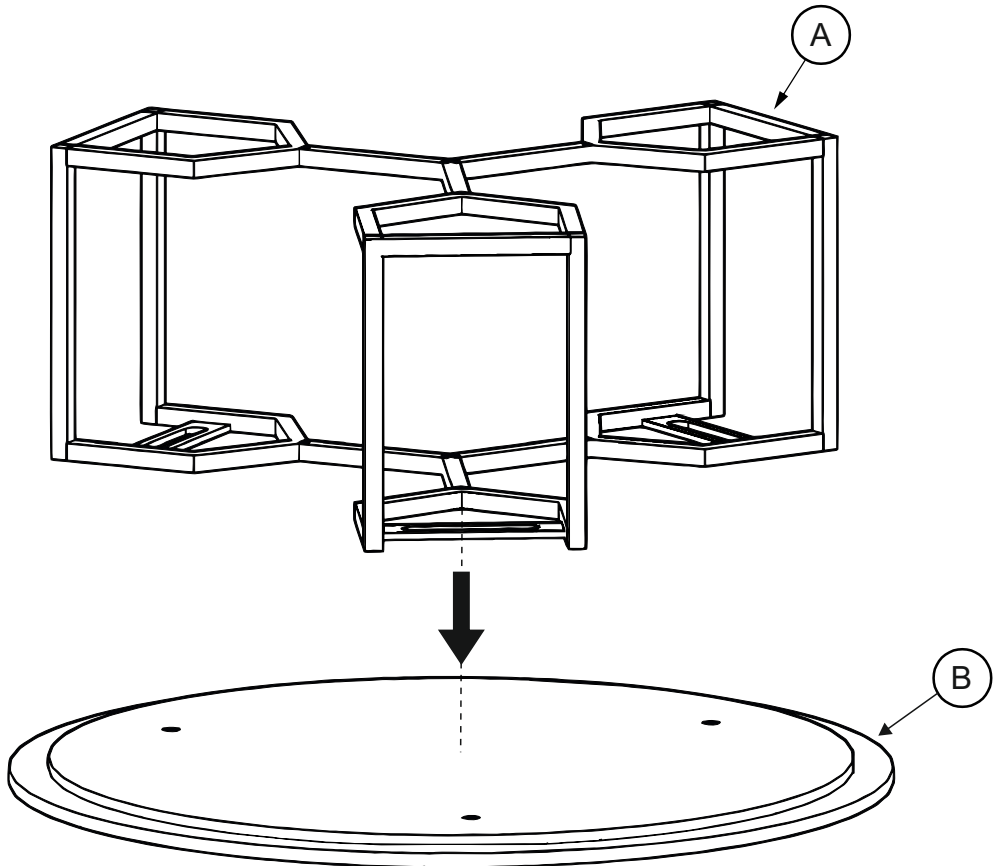


ASSEMBLY INSTRUCTION FOR

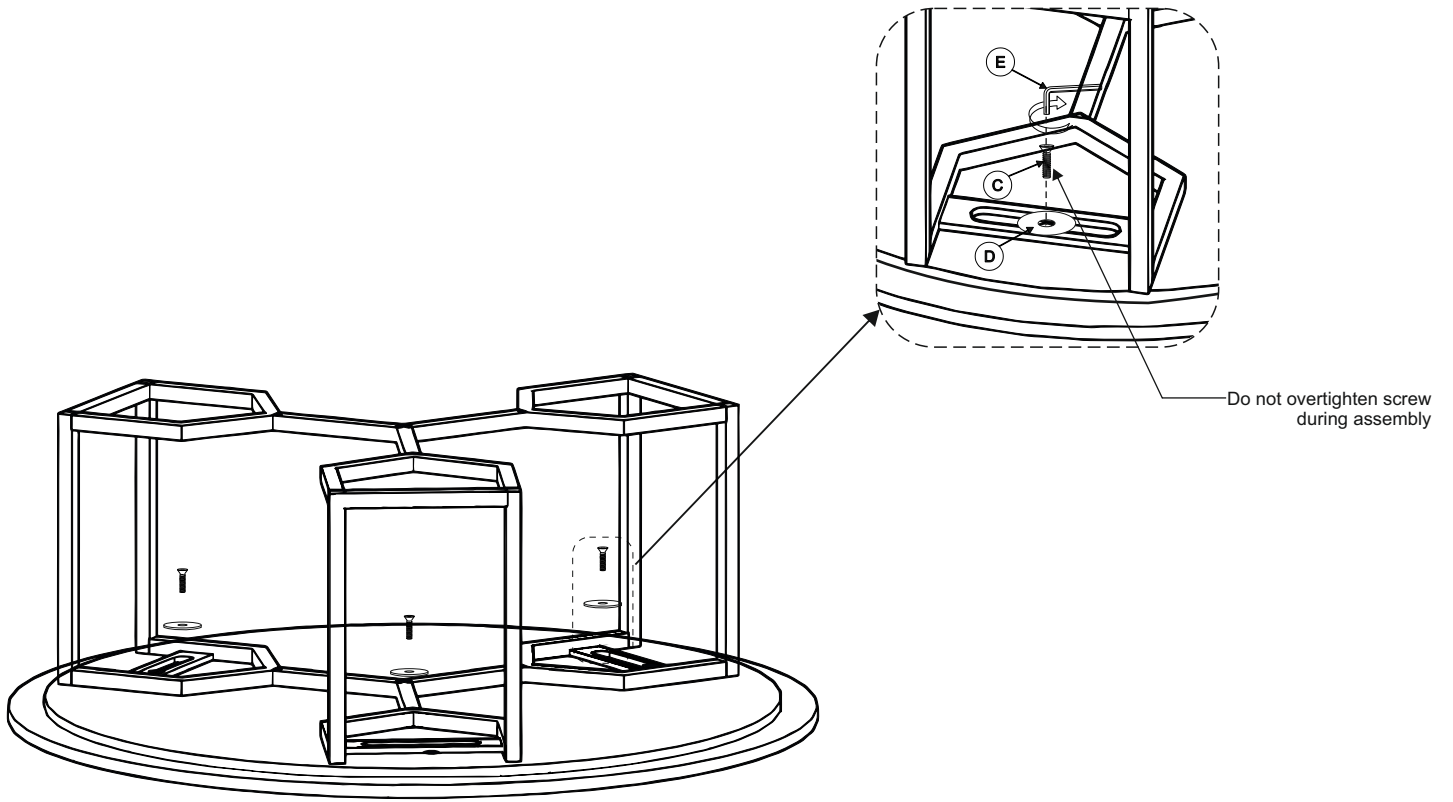
COFFEE TABLE



HARDWARE LIST				
A		BASE	889x355mm	1
B		TOP	Ø991x15mm	1
C		SCREW	Ø12x25mm	4
D		WASHER	Ø48x2mm	3
E		HEX KEY	65x25mm	1



Step 2



Step 3

