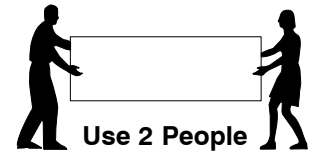
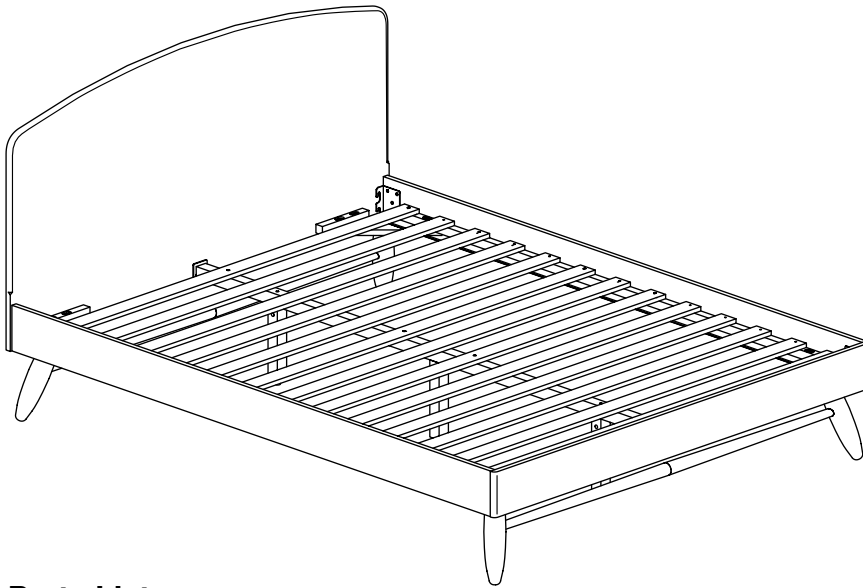


Queen Bed

Assembly Instructions

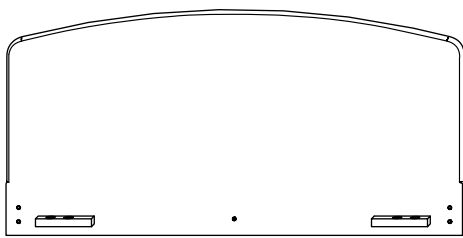
1 Assembled View



Note: Do not assemble using power tools. This can cause the bolts to be overtightened

2 Parts List

Parts in Box A:

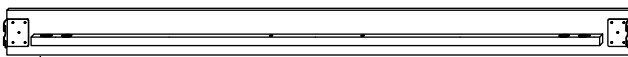


A Headboard Panel x 1

Parts in Box B:



B Footboard Panel x 1



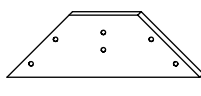
C Side Rail x 2



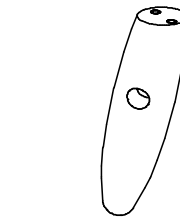
D Long Support x 1



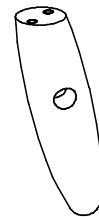
E Support Leg x 3



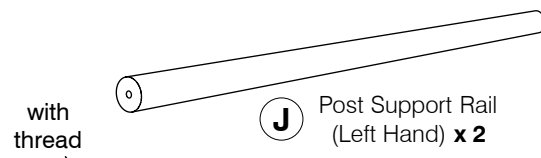
F Support Panel x 4



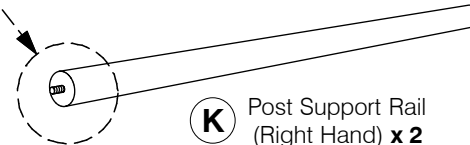
G Post (Left Hand) x 2



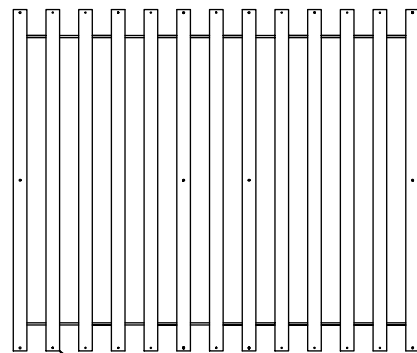
H Post (Right Hand) x 2



J Post Support Rail (Left Hand) x 2



K Post Support Rail (Right Hand) x 2



L Set of Bed Slats x 1

Queen Bed

Assembly Instructions

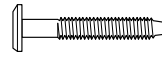
3 Hardware List



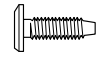
1 M6 x 90mm JCB
x 3



2 M6 x 50mm JCB
x 16



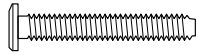
3 M6 x 40mm JCB
x 12



4 M6 x 20mm JCB
x 8



5 M6 x 15mm JCB
x 4



6 M8 x 50mm JCB
x 8



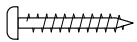
7 Barrel Nut
x 3



8 Spring Washer
x 24



9 Flat Washer
x 24



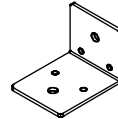
10 Wood Screw
(M4 x 32mm) x 18



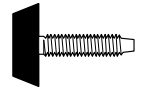
11 M4 Allen Key
x 1



12 M5 Allen Key
x 1

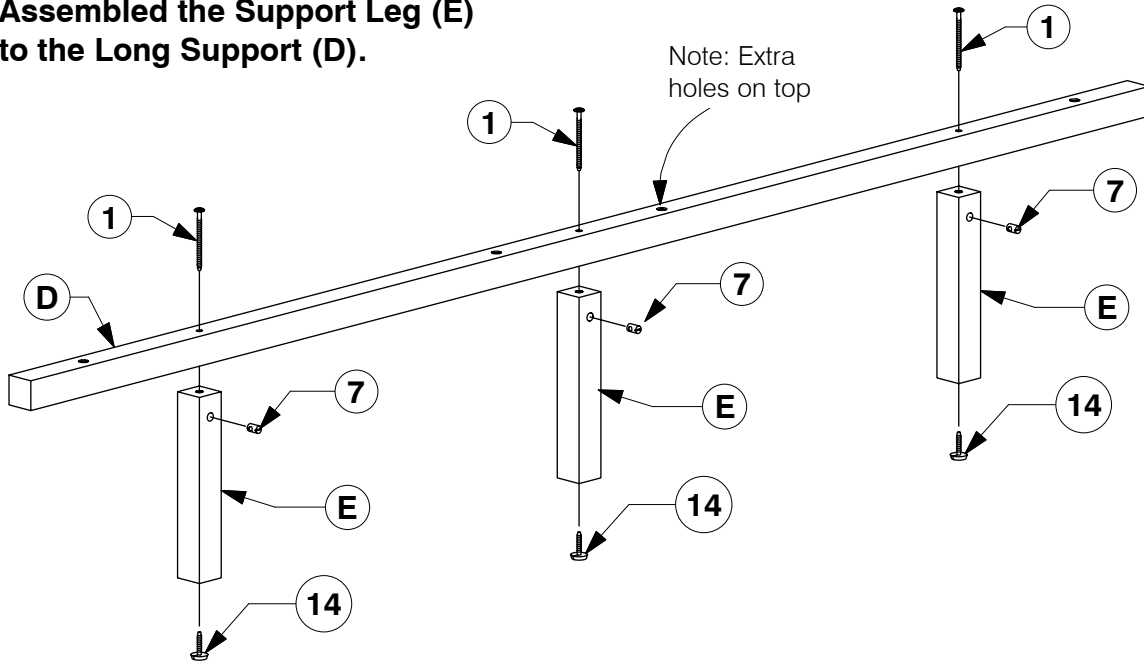


13 Center Rail
Bracket x 2

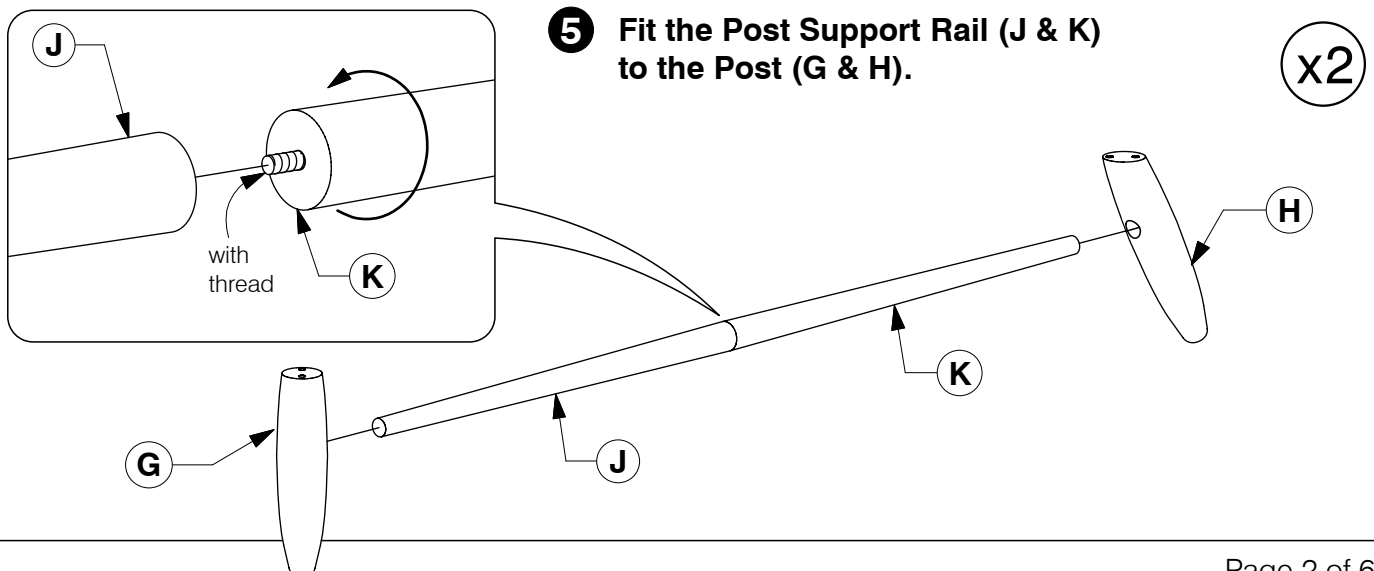


14 Adjustable
Foot x 3

4 Assembled the Support Leg (E) to the Long Support (D).



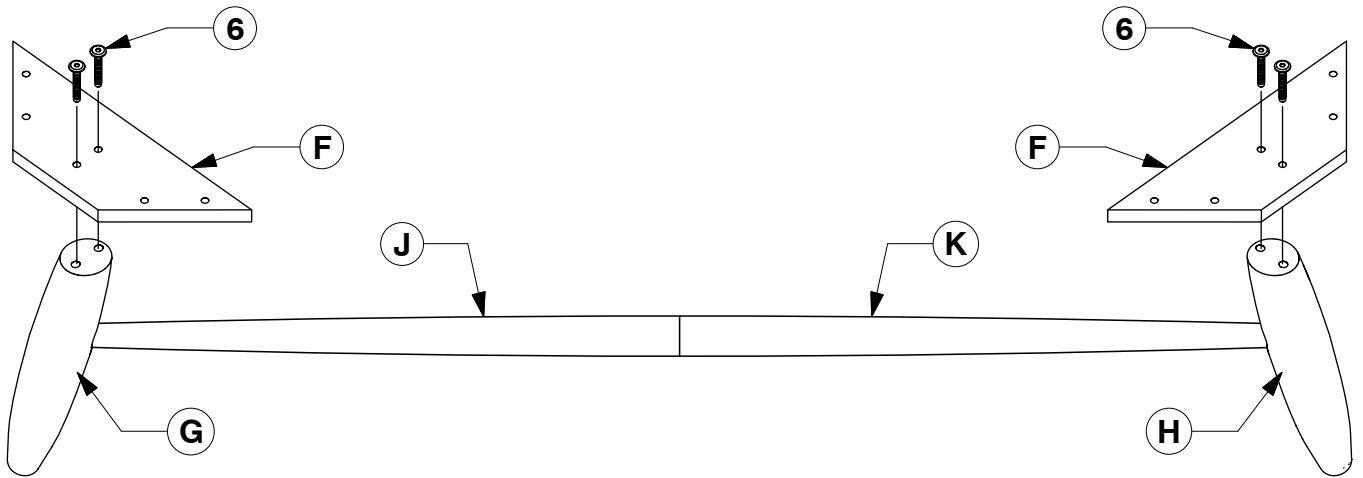
5 Fit the Post Support Rail (J & K) to the Post (G & H).



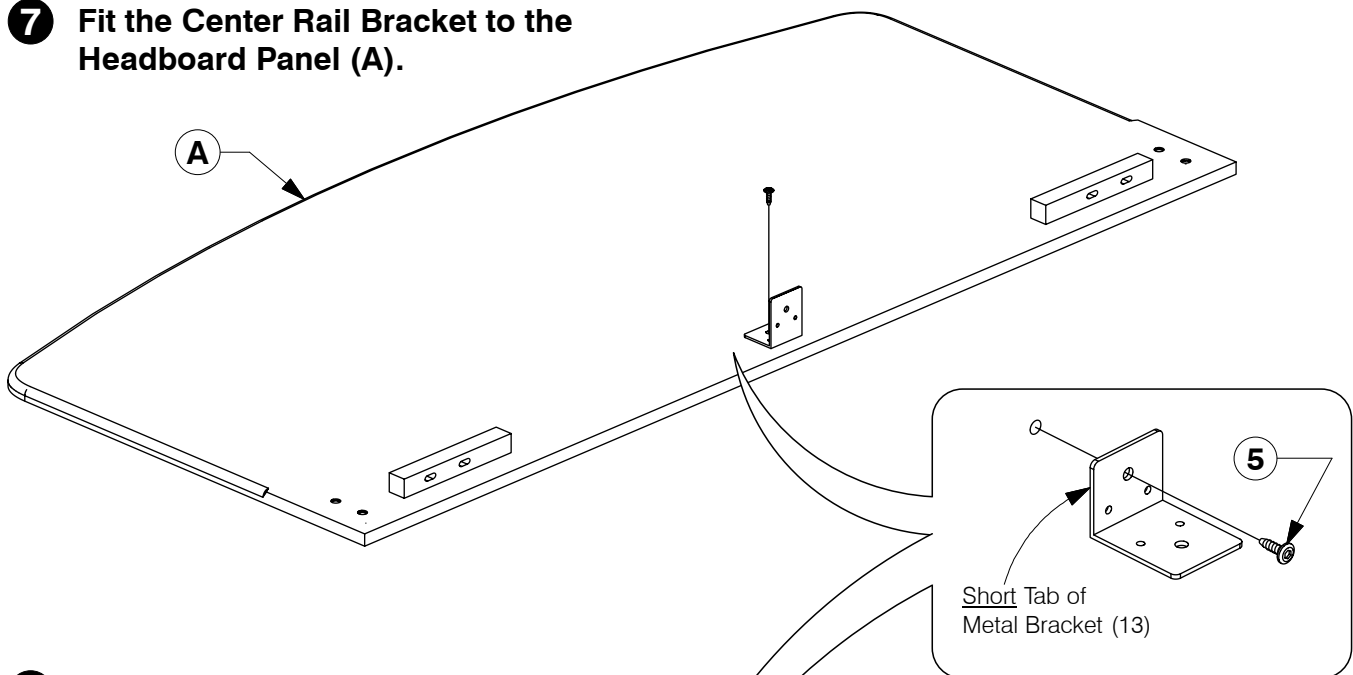
Queen Bed

Assembly Instructions

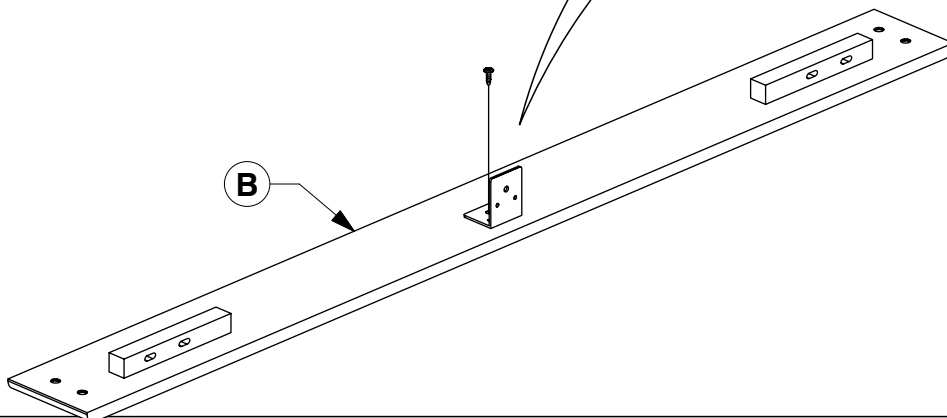
- 6** Assemble the Support Panel (F) to the assembled Post (G & H) & Post Support Rail (J & K) .



- 7** Fit the Center Rail Bracket to the Headboard Panel (A).



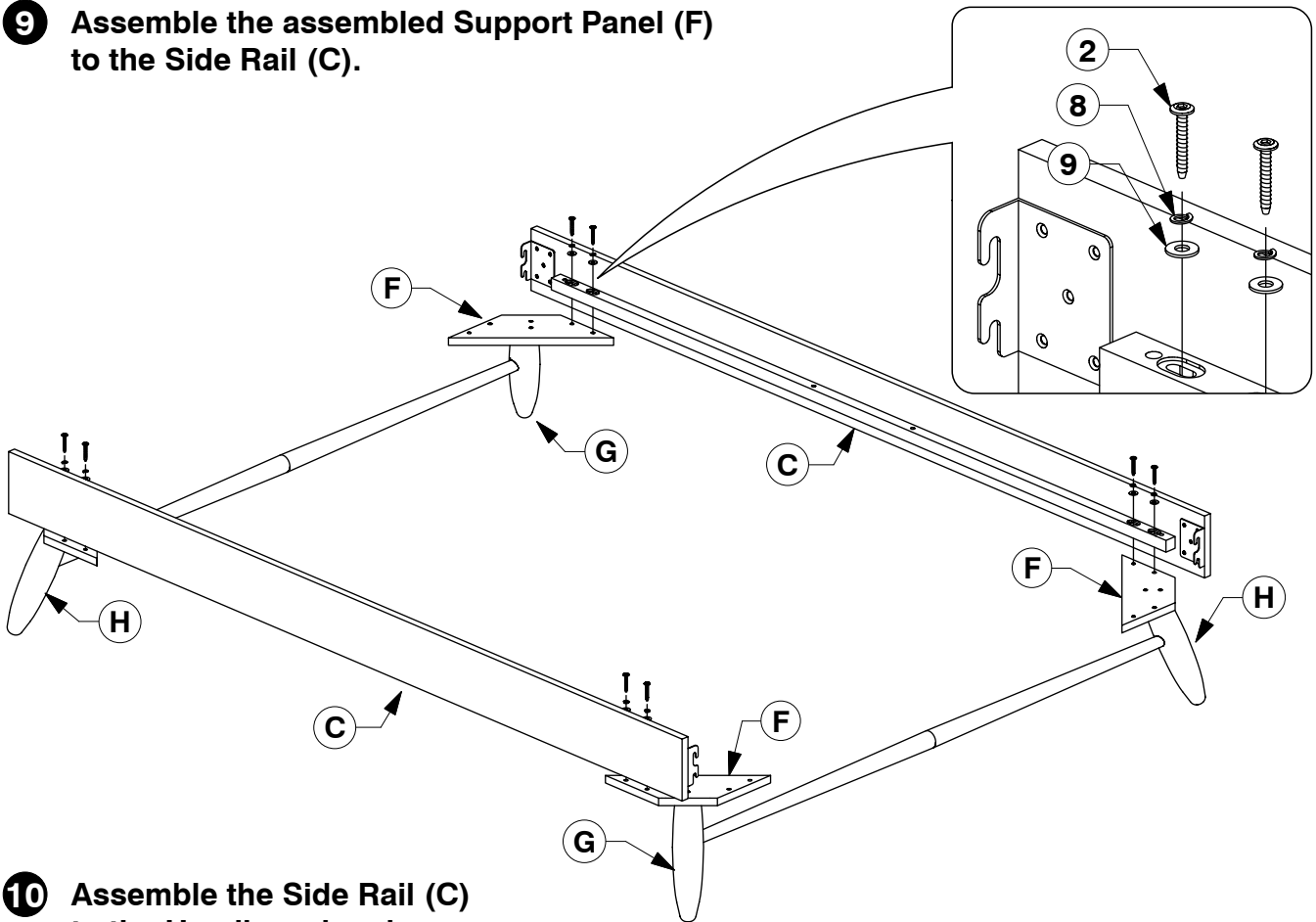
- 8** Fit the Center Rail Bracket to the Footboard Panel (B).



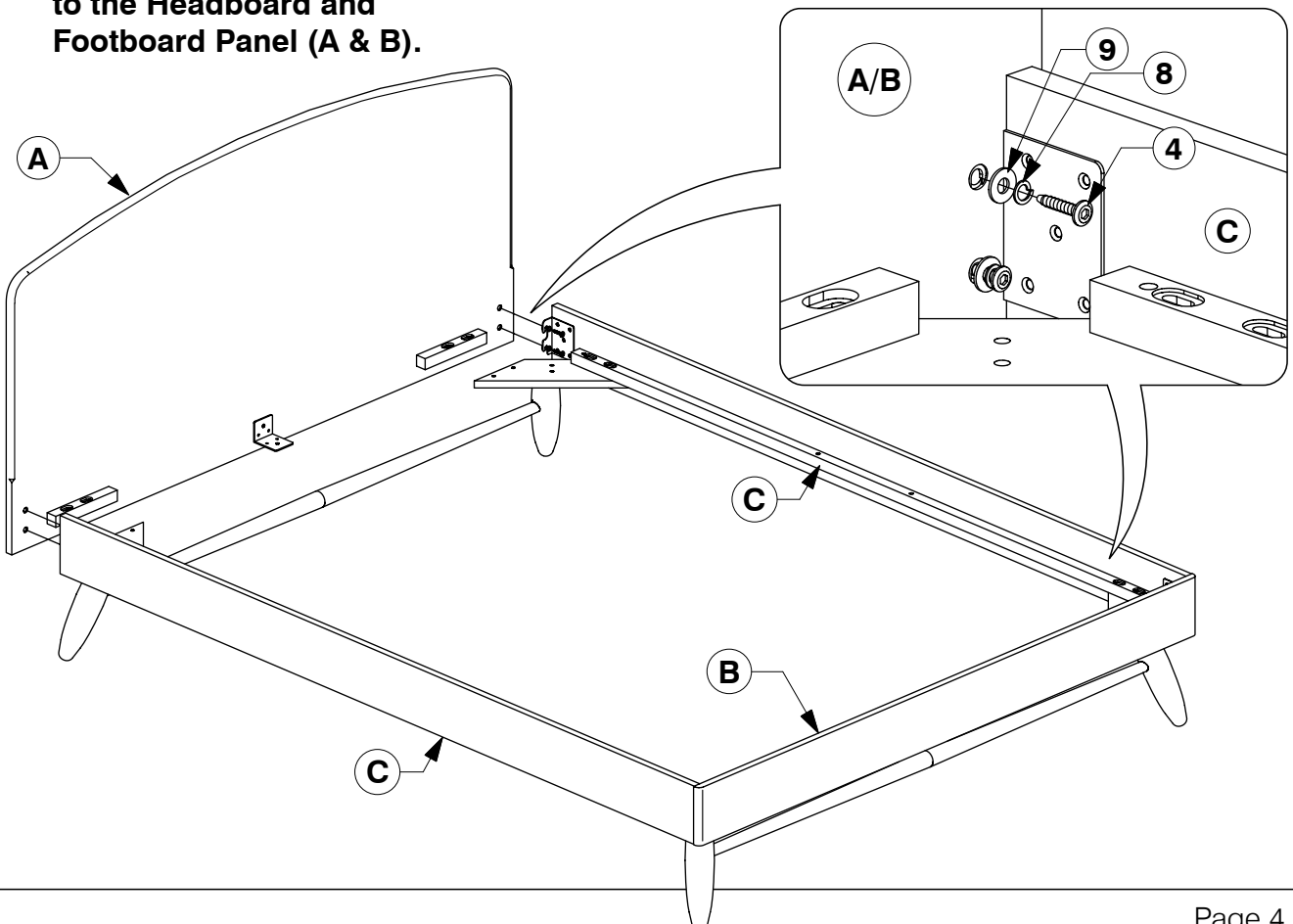
Queen Bed

Assembly Instructions

- 9** Assemble the assembled Support Panel (F) to the Side Rail (C).



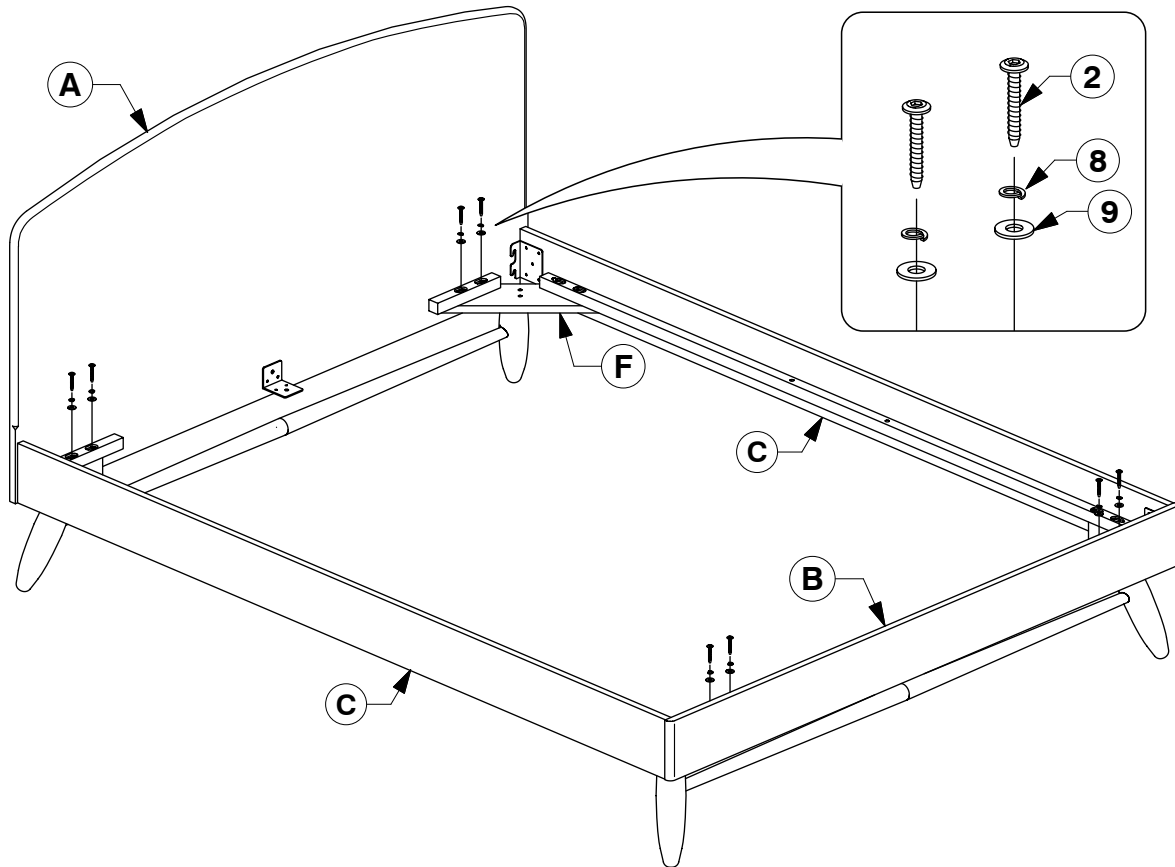
- 10** Assemble the Side Rail (C) to the Headboard and Footboard Panel (A & B).



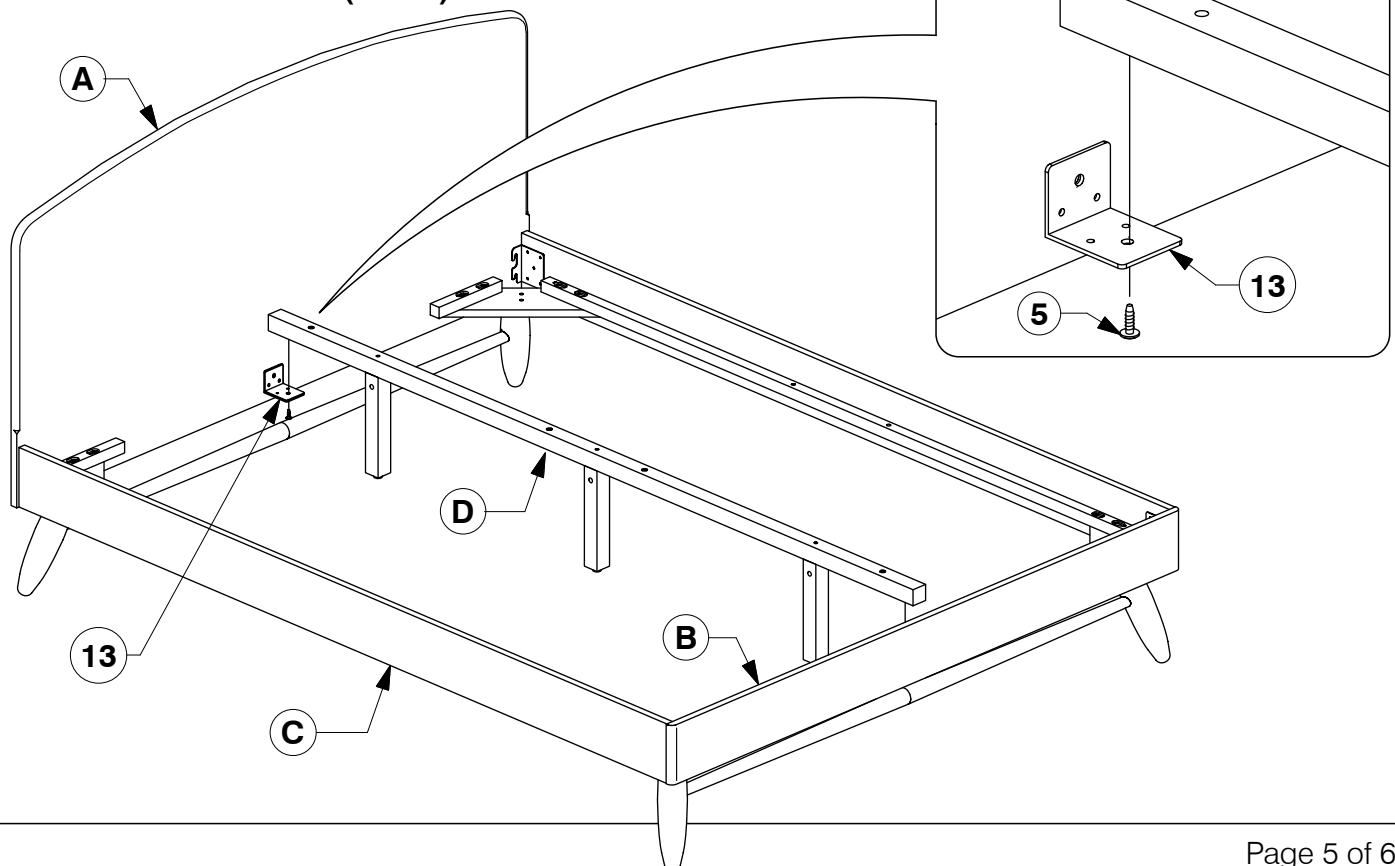
Queen Bed

Assembly Instructions

- 11** Bolt the Support Panel (F) to the Headboard and Footboard Panel (A & B).



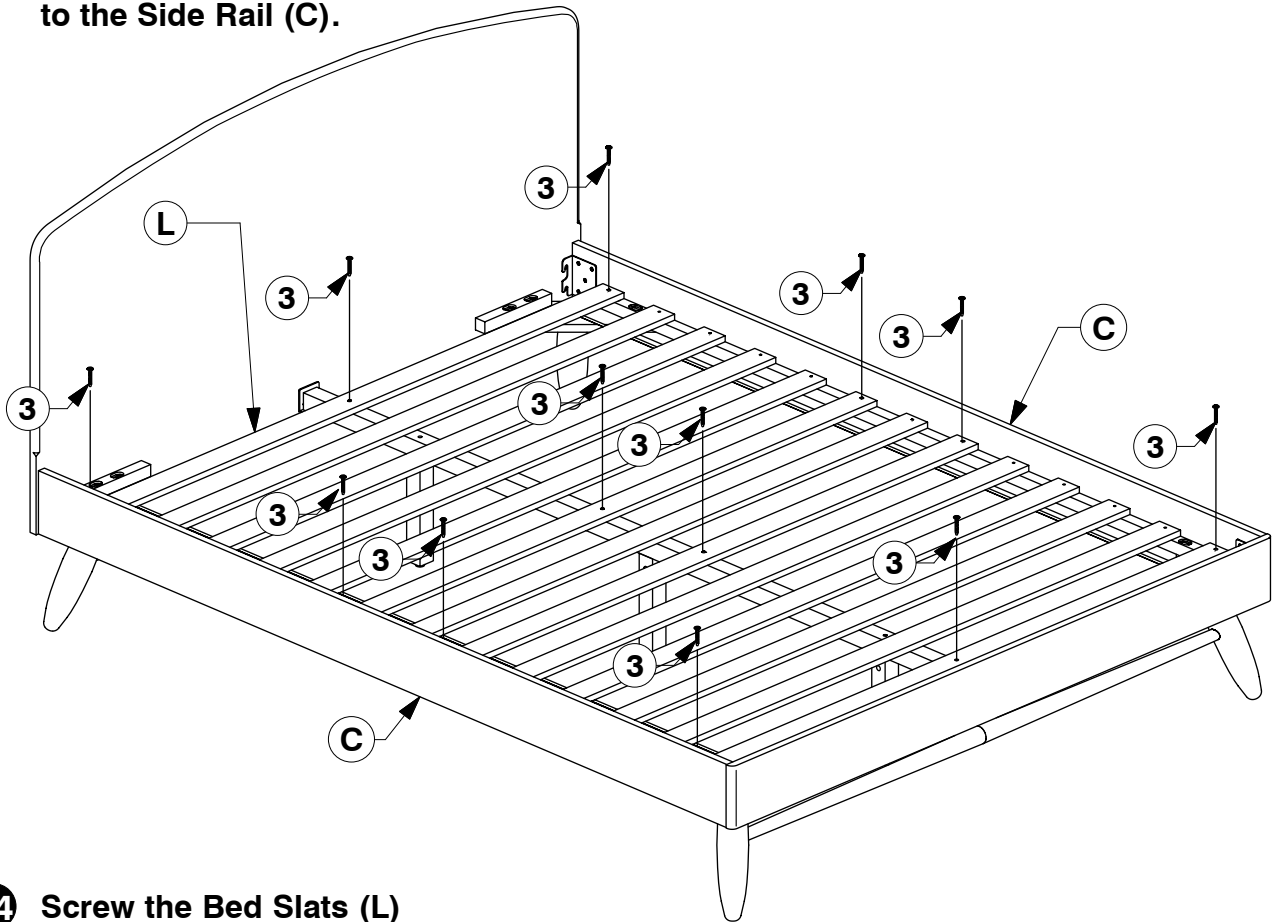
- 12** Bolt the Long Support (D) to the Center Rail Brackets (13) on the Headboard and Footboard Panel (A & B).



Queen Bed

Assembly Instructions

- 13** Bolt the Bed Slats (L) to the Side Rail (C).



- 14** Screw the Bed Slats (L) to the Side Rail (C).

