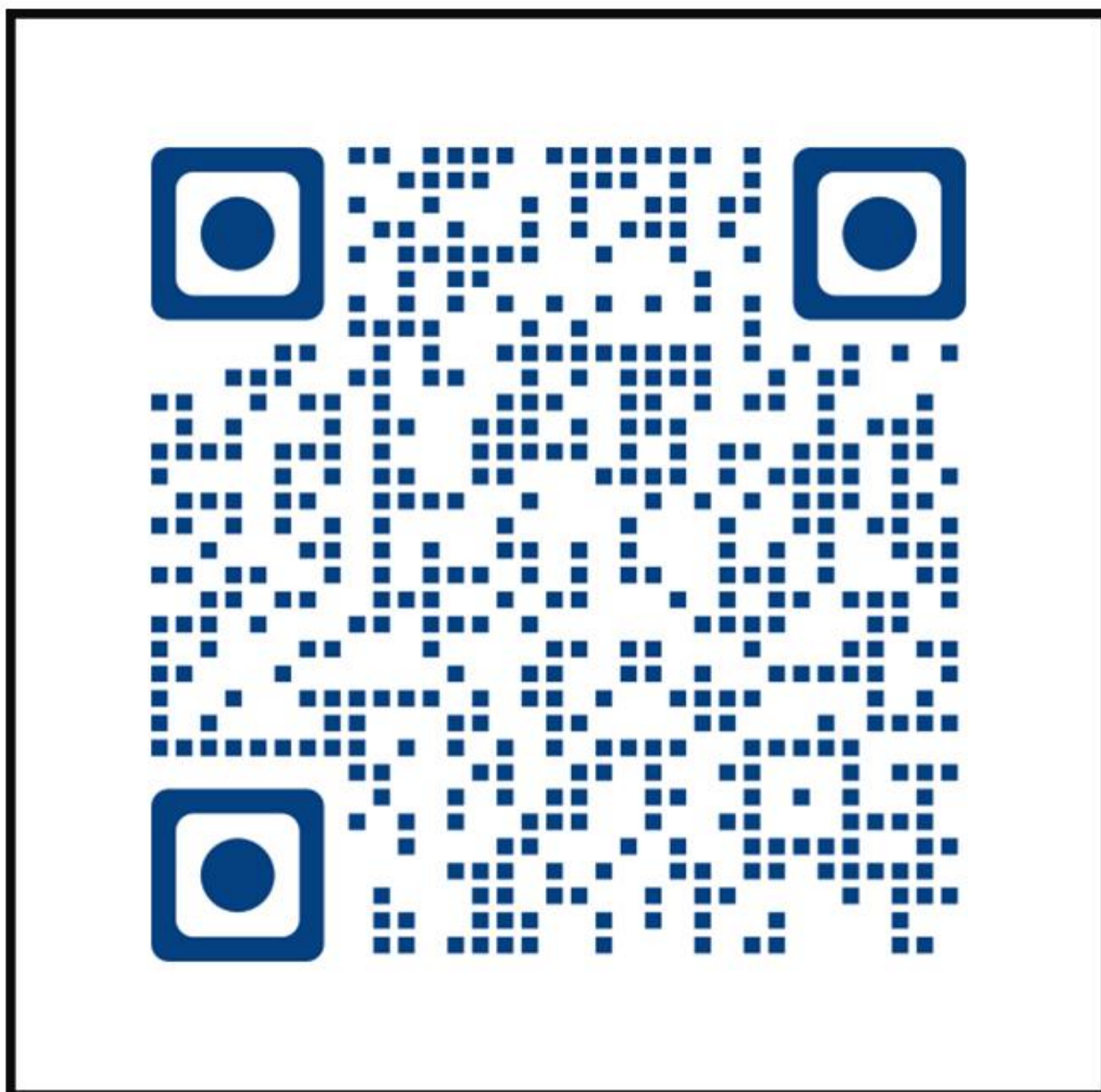


## QR Code Access to Product Installation Video

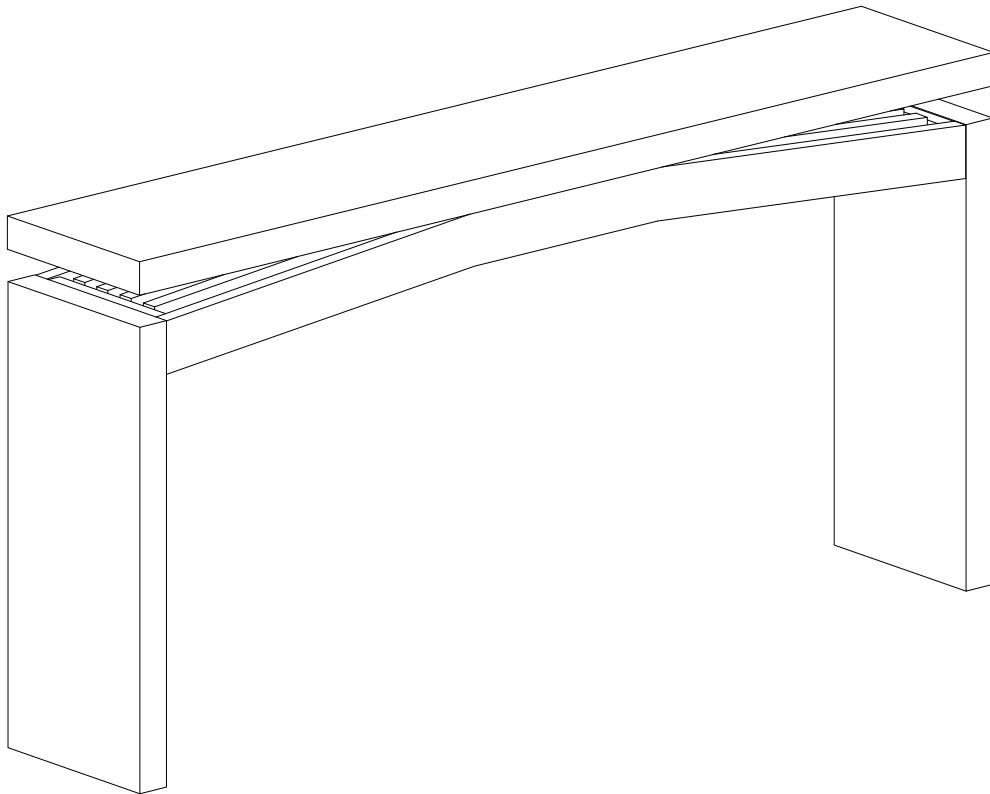
Please follow the video instructions for assembly, and you will receive a beautiful, stable, and practical product.



Please use your phone's camera to scan the QR code.

**Model No.ZL-ZY0038/ZL-ZY0039/ZL-ZY0051/ZL-ZY0052/ZL-ZY0053**

# Assembly Instructions



Model No. ZL-ZY0038/ZL-ZY0039/ZL-ZY0051/ZL-ZY0052/ZL-ZY0053

# Contact Us

## We're here to help you.

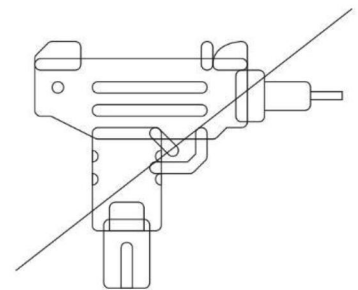
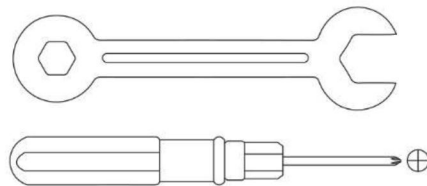
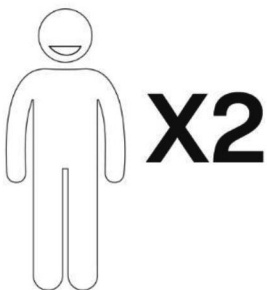


Your satisfaction is our top priority. If you encounter any issues with this product, such as missing or damaged parts, we're here to help. Please retain the original packaging and take photos of the packaging and the product, then contact us as soon as possible.

**Email: [support@epecoya.com](mailto:support@epecoya.com)**

### Warm Tips

1. Carefully read these instructions and keep them for future reference.
2. Check the parts list and confirm everything's there before starting assembly.
3. When assembling, put all parts on a soft, smooth surface like a carpet to avoid scratches.
4. Don't fully tighten screws until all parts are confirmed in place to avoid misalignment.

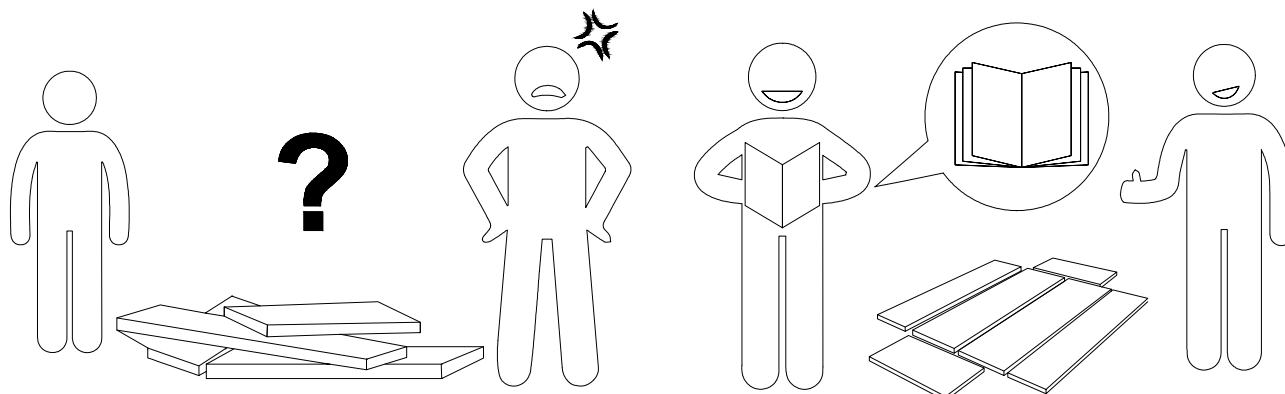
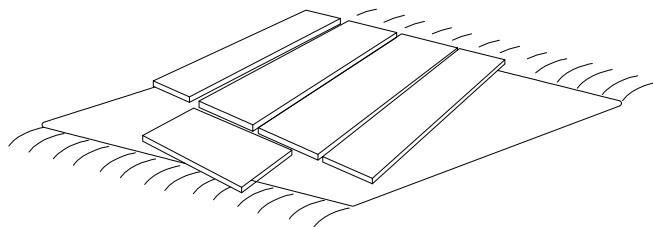
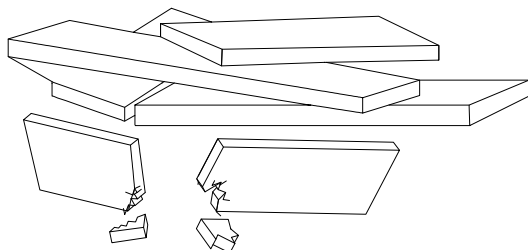


We recommend using hand tools for assembly.

If an electric screwdriver is used, reduce power and torque to avoid damage to the product.

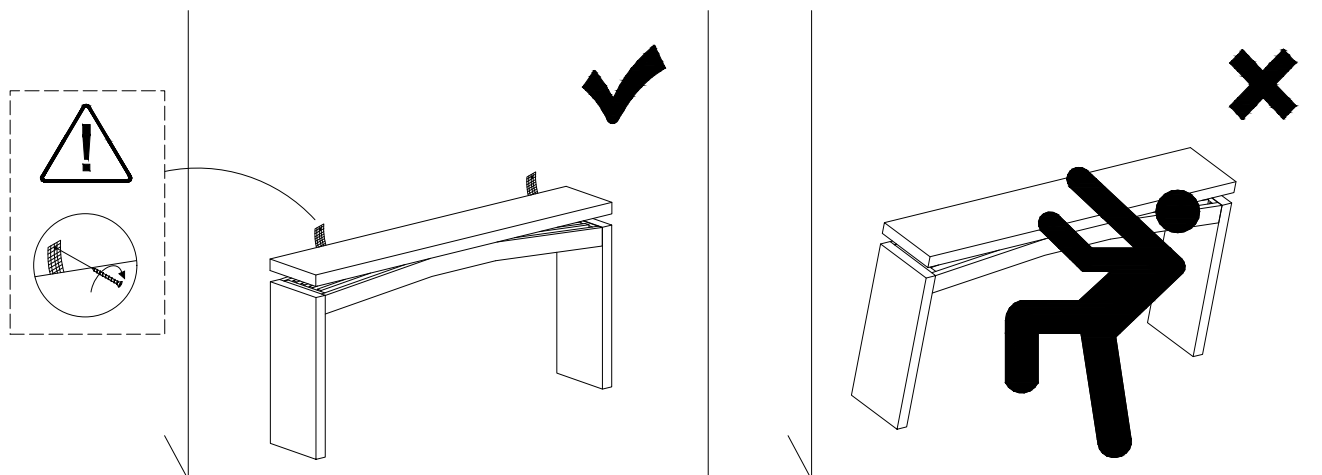
## AVOID SCRATCHES

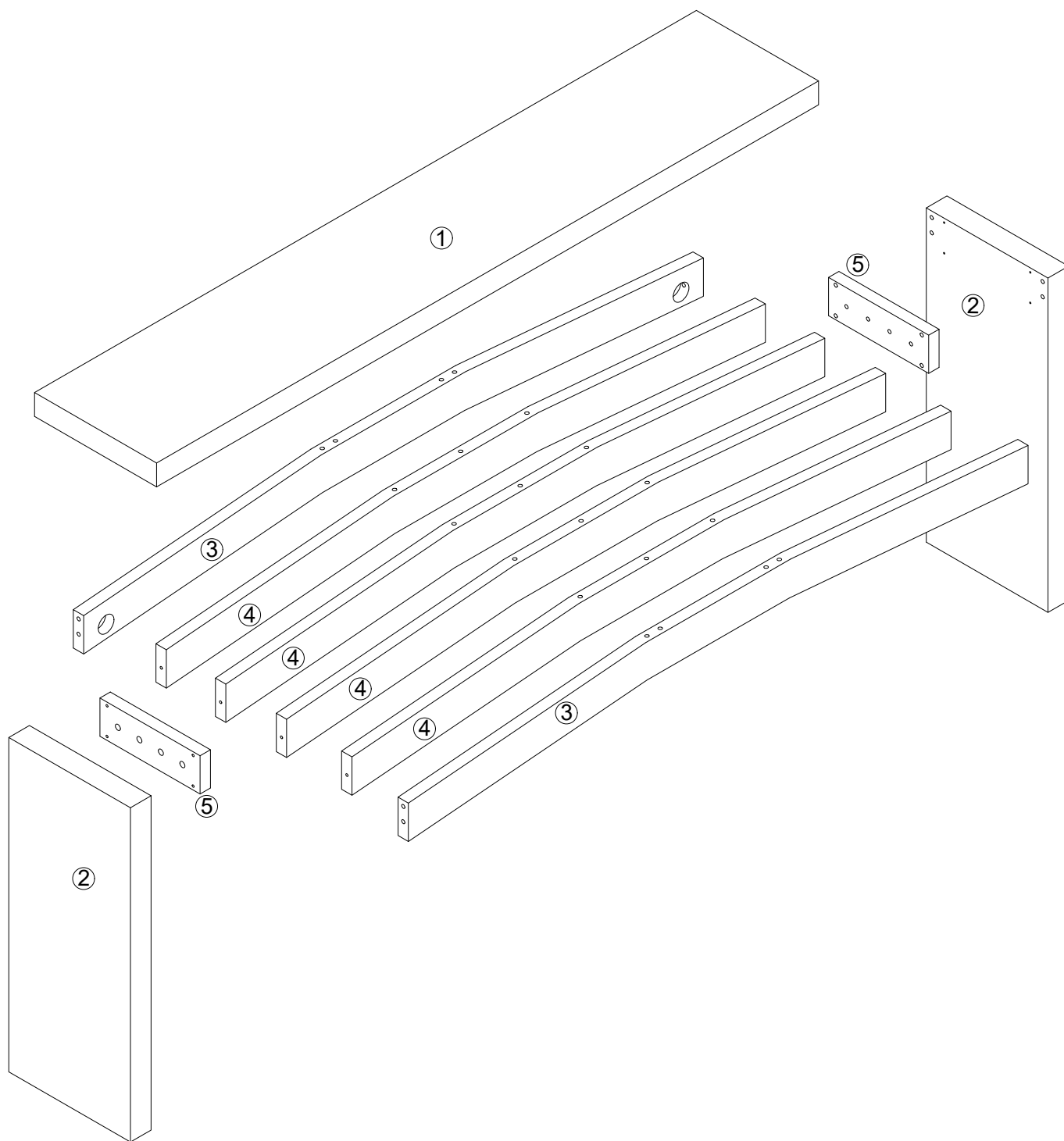
In order to avoid scratching, this furniture should be assembled on a soft surface, such as a rug.



## Install the Anti-Tip Straps

Using the anti-tip straps can reduce the risk of tipping over, but can not eliminate it.

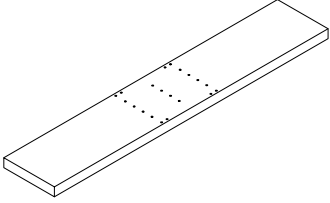
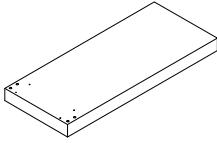
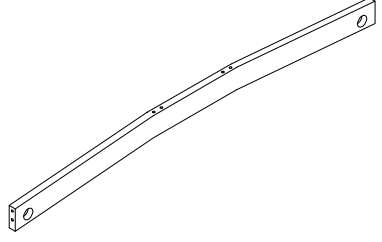
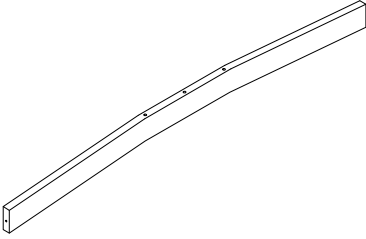
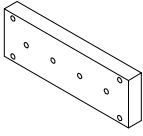




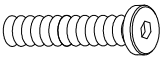
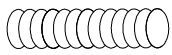







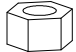
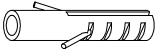
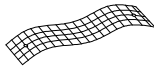
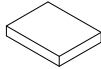

**⚠ Caution**

Make sure all parts are included. Most board parts are labeled or stamped on the raw edge. Contact us for a free replacement if you encounter any damaged or missing parts.

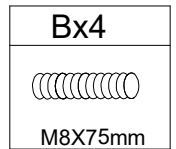
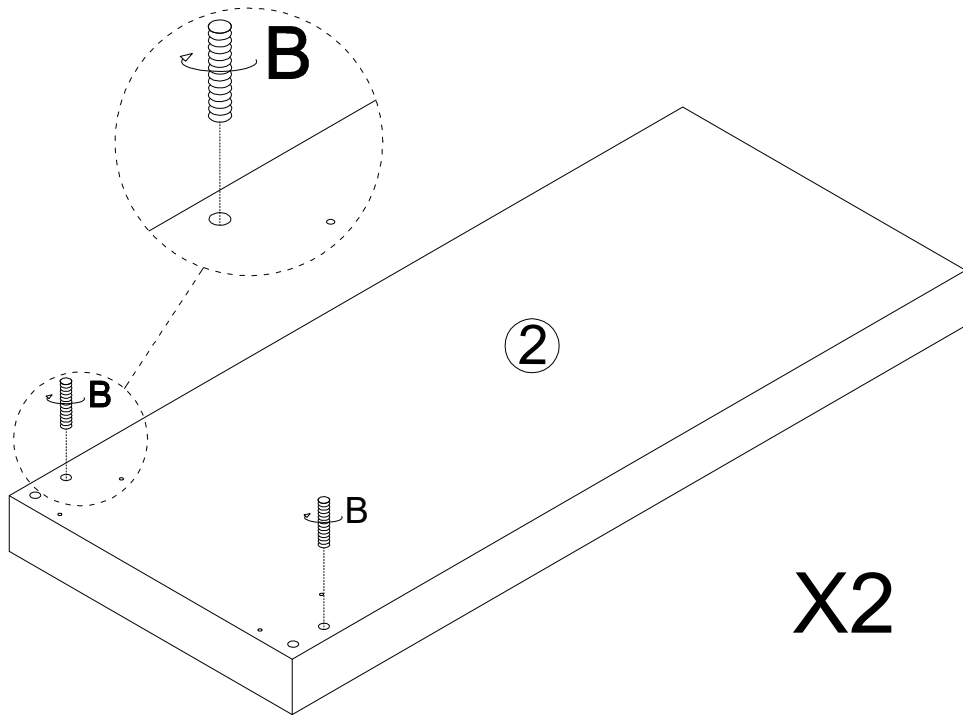
# Parts List

 <p>① 1pc</p>	 <p>② 2pcs</p>	 <p>③ 2pcs</p>
 <p>④ 4pcs</p>	 <p>⑤ 2pcs</p>	

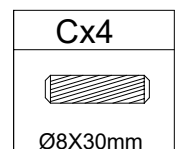
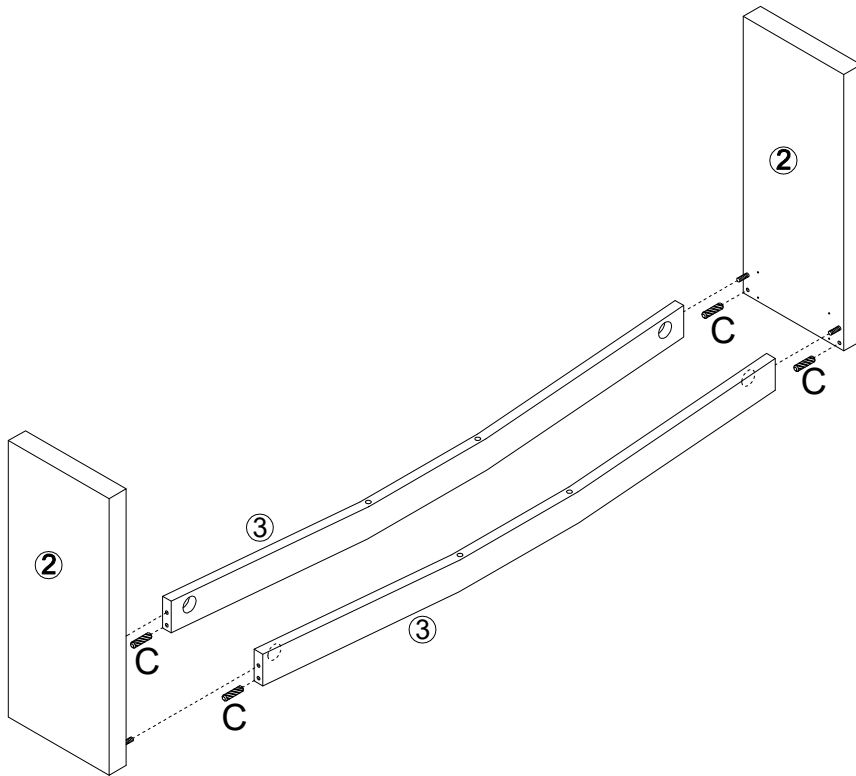
# Hardware List

<p>Ax4</p>  <p>M6X70mm</p>	<p>Bx4</p>  <p>M8X75mm</p>	<p>Cx16</p>  <p>Ø8X30mm</p>	<p>Dx8</p>  <p>Ø7X47mm</p>	<p>Ex2</p>  <p>Ø3.5X14mm</p>
<p>Fx10</p>  <p>Ø4X35mm</p>	<p>Gx1</p>  <p>M4X55mm</p>	<p>Hx1</p> 	<p>Ix4</p>  <p>30X14X9mm</p>	<p>Jx4</p>  <p>M8X14mm</p>
<p>Kx2</p>  <p>Ø8X40mm</p>	<p>Lx2</p>  <p>155X20mm</p>	<p>Mx4</p>  <p>40X40X5mm</p>	<p>Nx4</p>  <p>Ø5X80mm</p>	

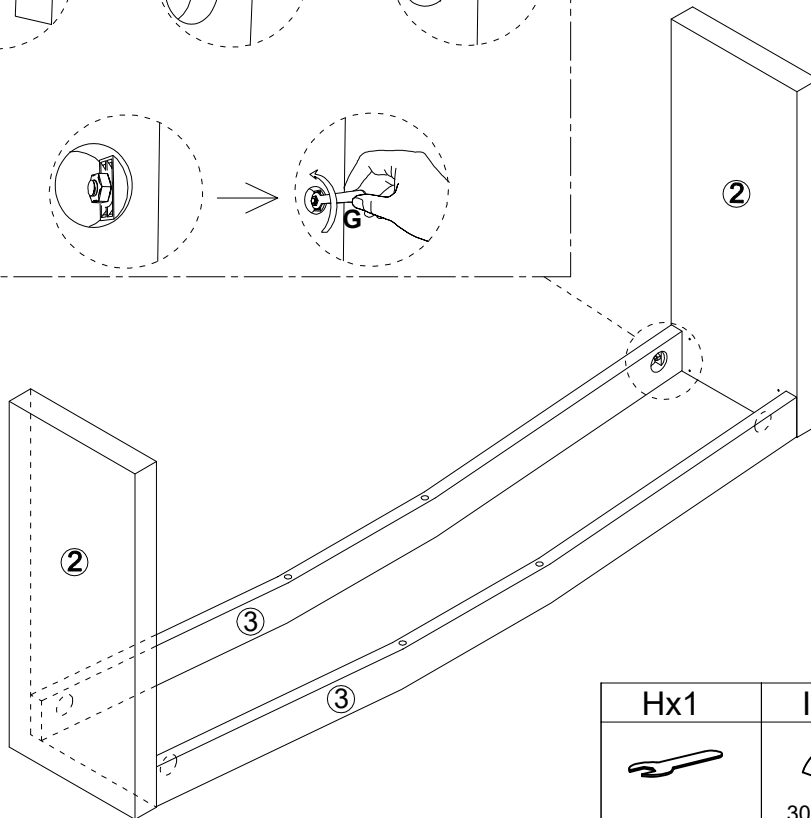
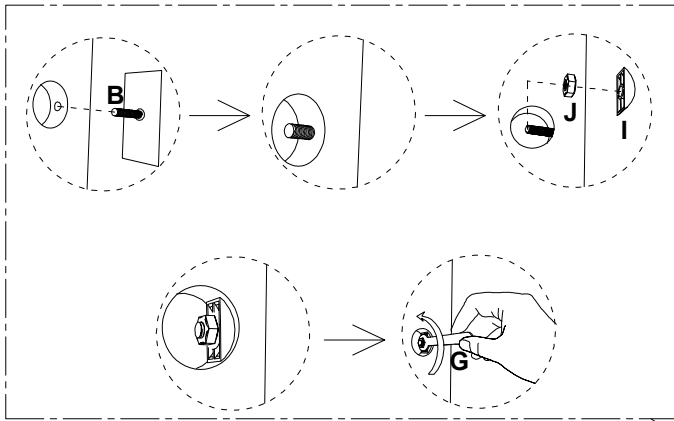
1



2

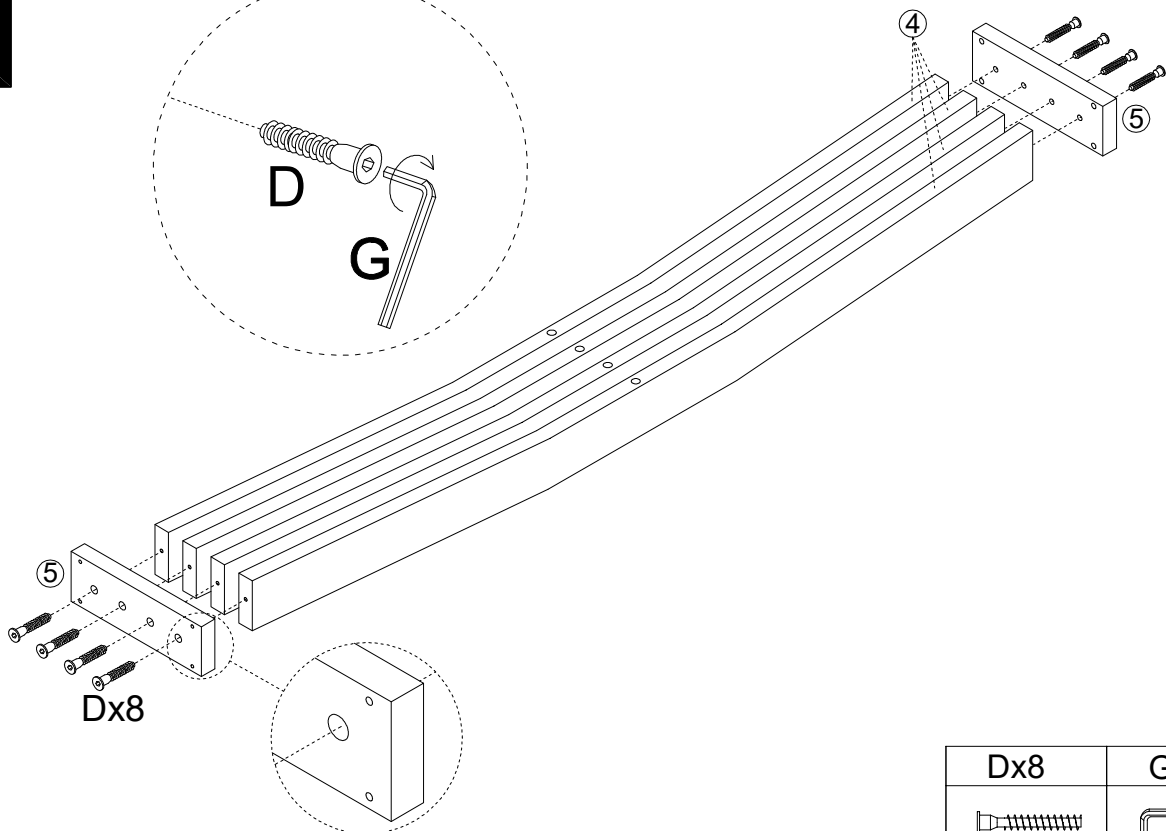
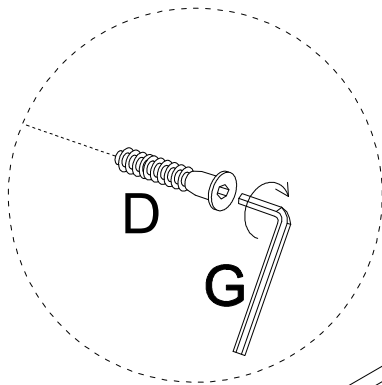


3

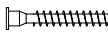



Hx1	Ix4	Jx4
		
	30X14X9mm	M8X14mm

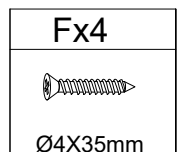
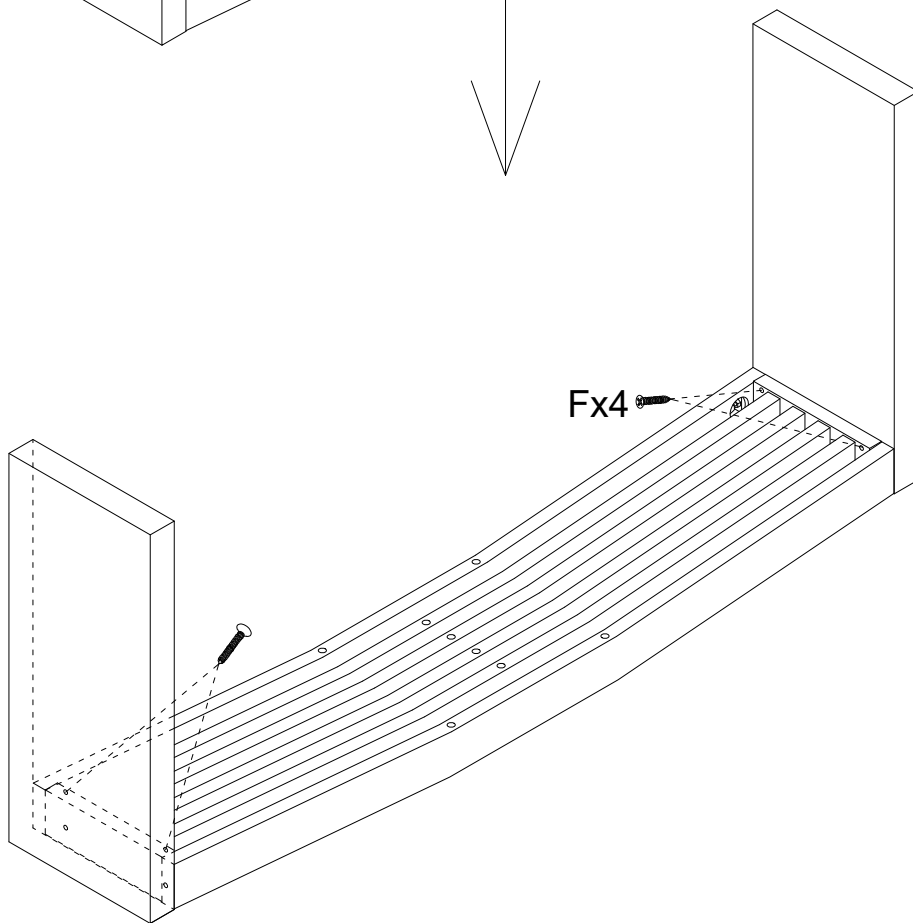
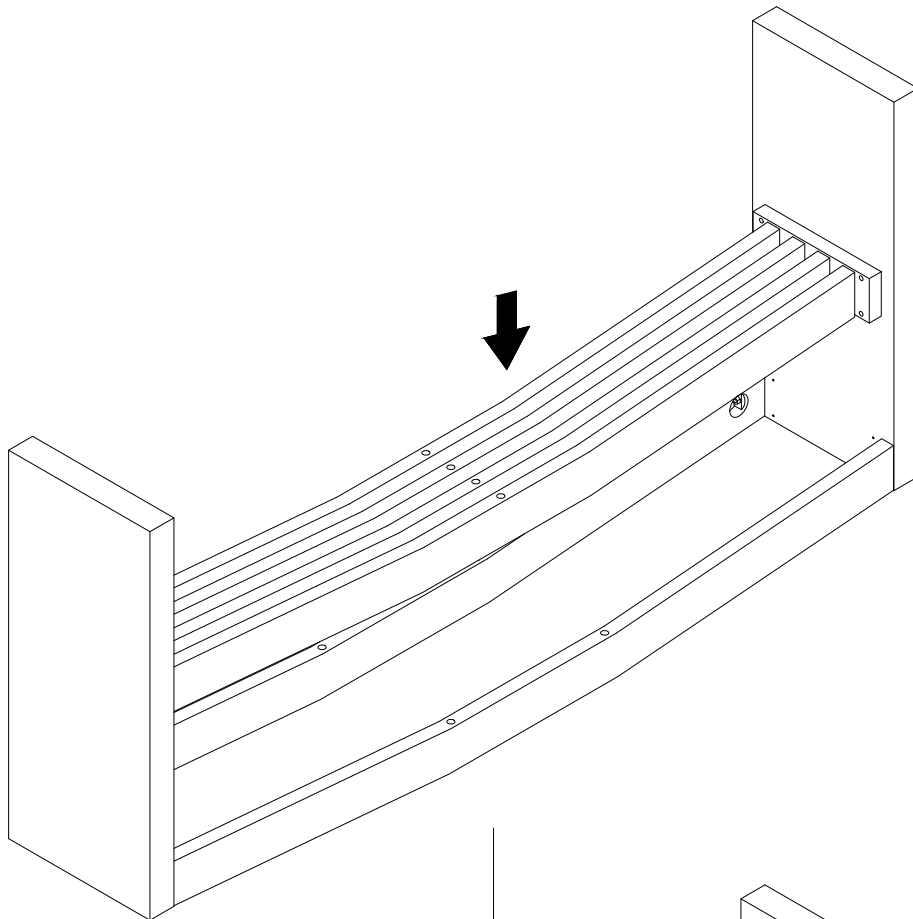
4



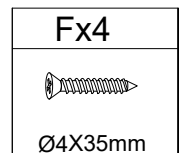
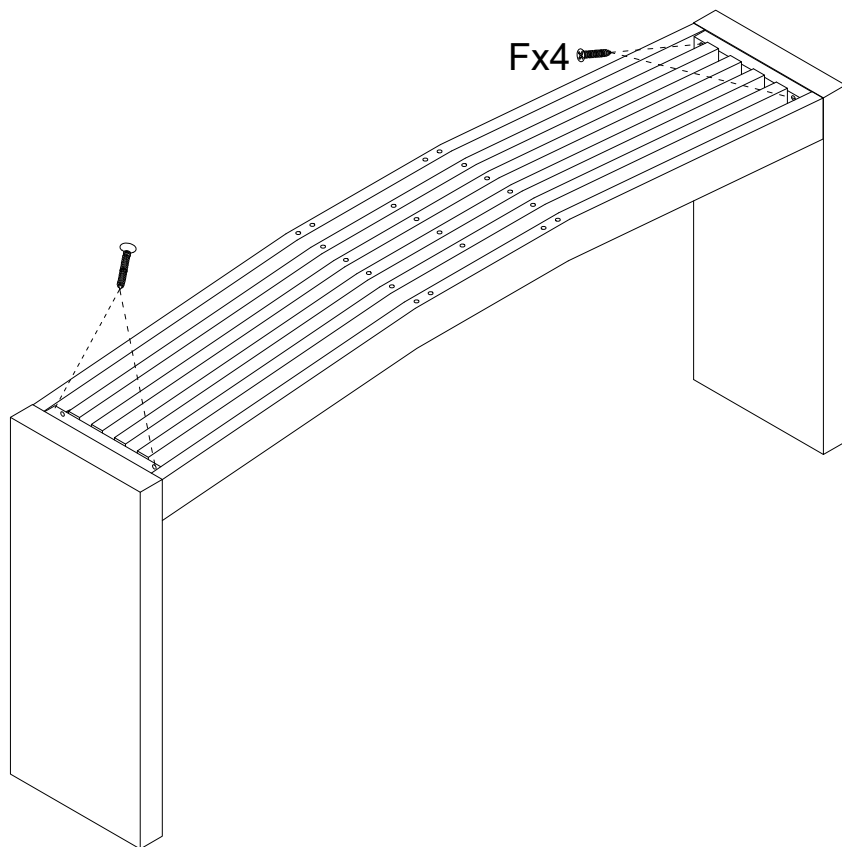
The large hole faces outward

Dx8	Gx1
	
Ø7X47mm	M4X55mm

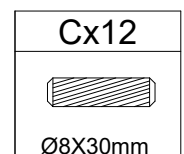
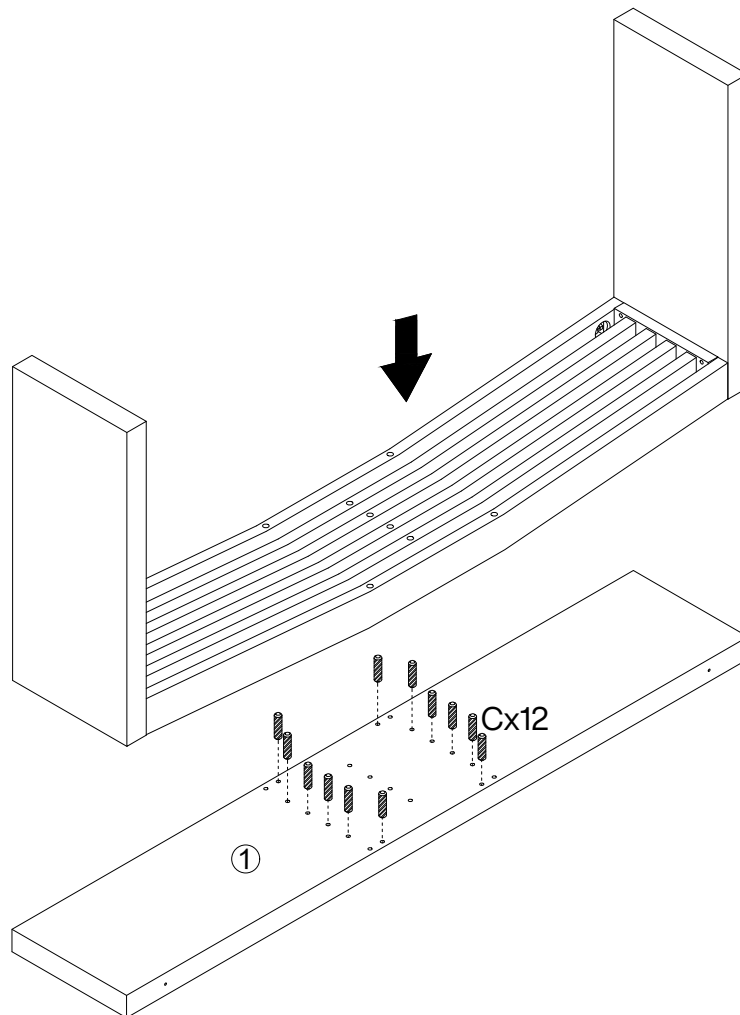
5



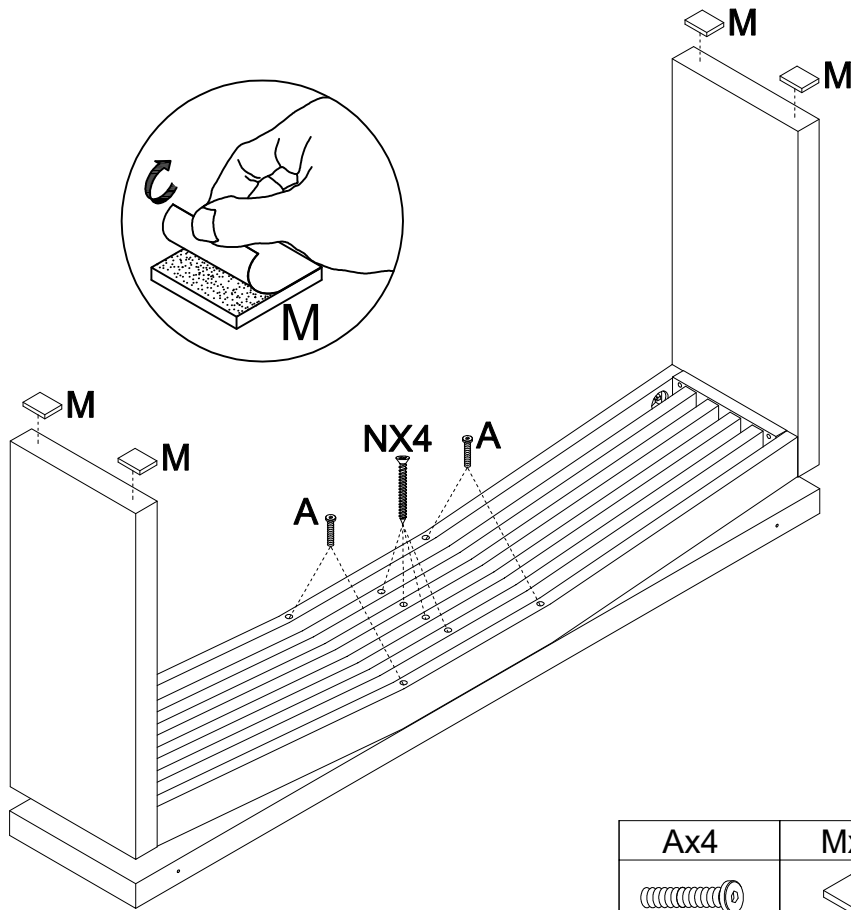
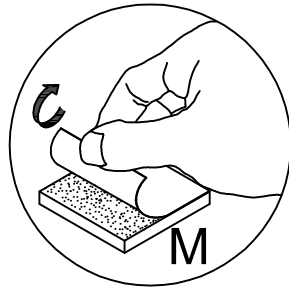
6


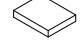



7

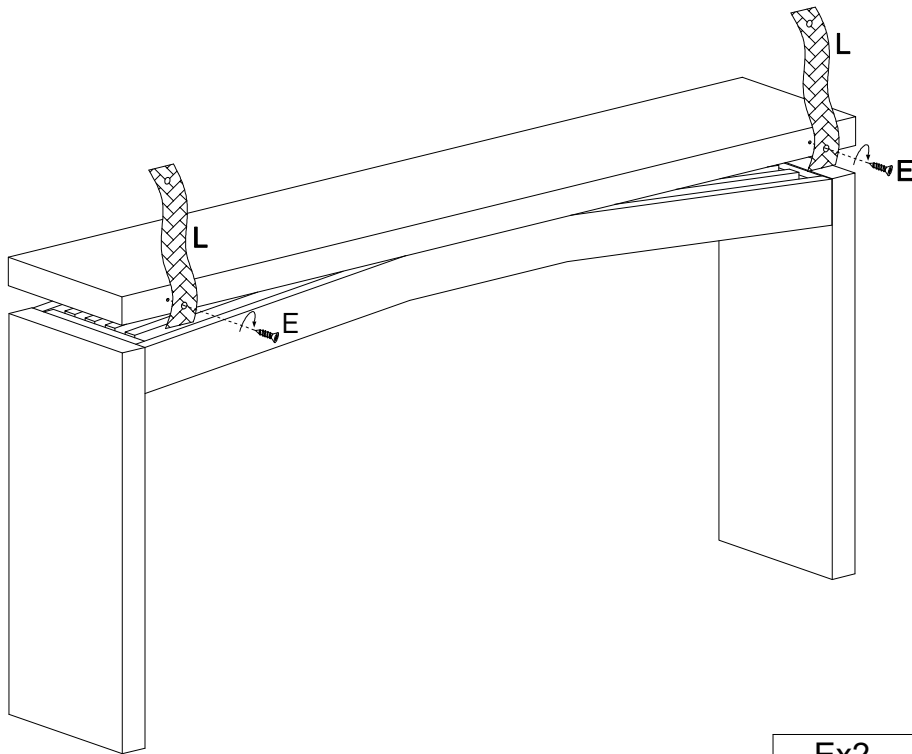




8



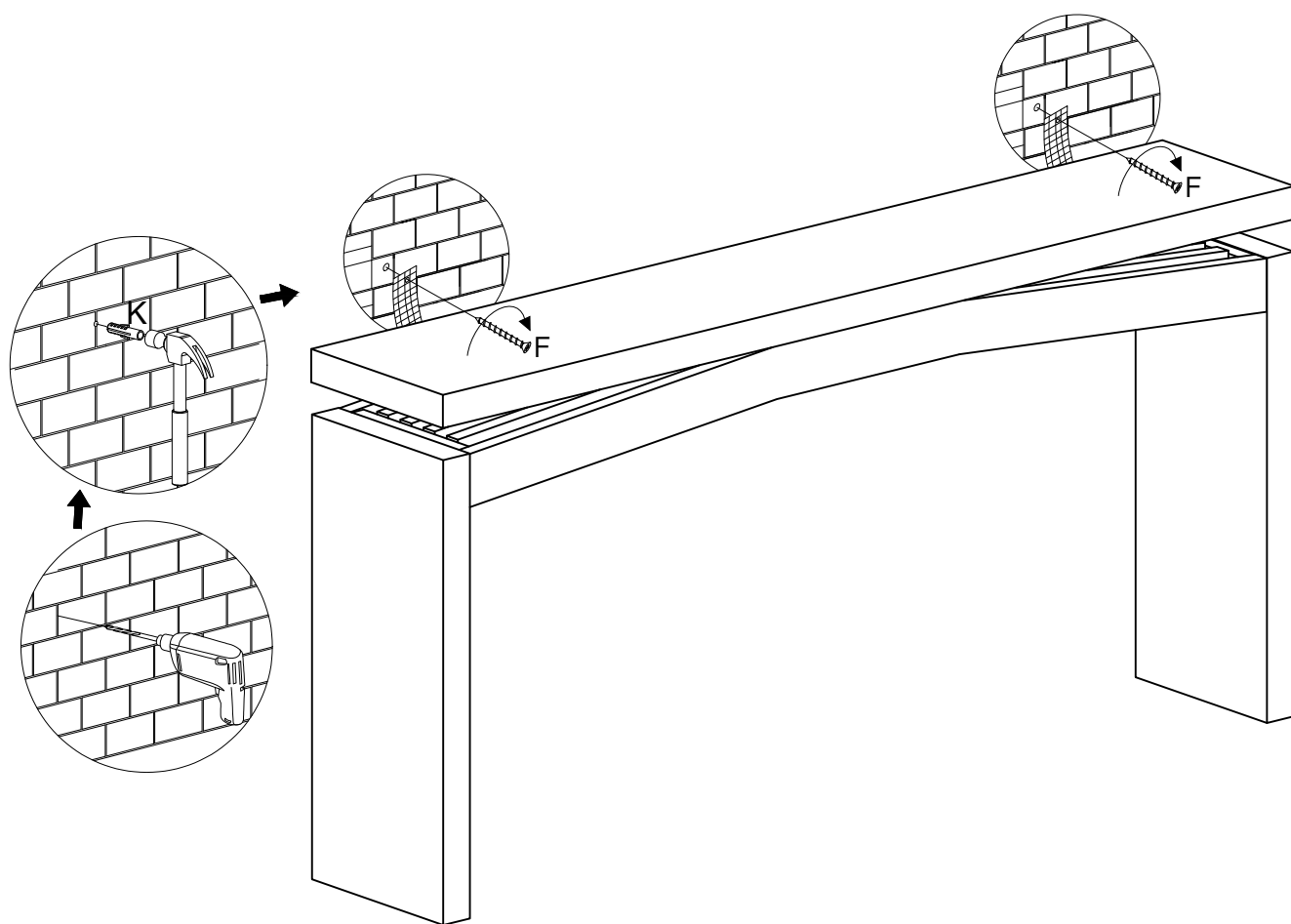
Ax4	Mx4	Nx4
		
M6X70mm	40X40mm	Ø5X80mm


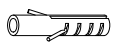
9



Ex2	Lx2
	
Ø3.5X14mm	155X20mm

# 10



Fx2	Kx2
	
Ø4X35mm	Ø8X40mm