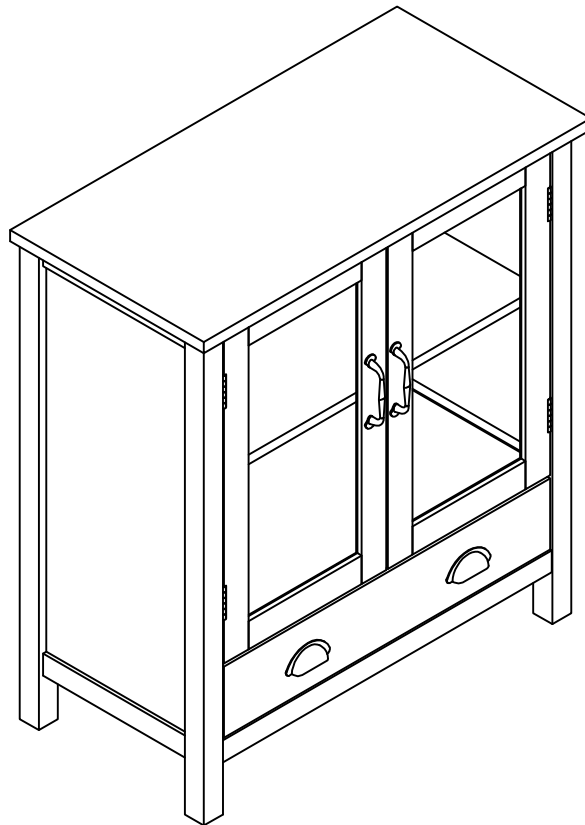




SK19087E1
GRACIE ACCENT CABINET WITH DRAWER
ASSEMBLY INSTRUCTIONS

Made In China



Safety Information



DANGER

- Keep small parts away from children during assembly.
- Read and follow instructions carefully.



WARNING

- Read these instructions carefully and keep in a safe place.
- TO GUARANTEE THE SAFE USE OF THIS PRODUCT, FOLLOW THE WARNINGS, GUIDELINES AND RECOMMENDATIONS IN THIS MANUAL.
- Adult assembly required.
- Small parts may present choking hazard prior to assembly.
- Do not place heavy objects on the glass top.
- Some assembly may involve attaching glass or mirrors.
- Be very careful handling the glass or mirrors, as severe injury may result if the glass or mirror breaks.
- Never handle large pieces of glass or mirrors by yourself.



CAUTION

- Do not use power tools to assemble your furniture. Power tools may strip or damage parts/product.
- Do not overtighten connectors (screws, bolts, etc.). Overtightening can lead to product damage.
- Be sure to check all packing materials carefully for small parts that may have come loose inside the carton during shipment. If parts are missing, contact THE HOME DEPOT to obtain any missing parts.
- DO NOT USE SUBSTITUTE PARTS.
- This product should only be used on a flat, level surface.

Warranty

3 YEAR WARRANTY

WHAT IS COVERED

We guarantee this product to be free of manufacturing defects to the original purchaser for three years.

WHAT IS NOT COVERED

This warranty does not cover commercial use, acts of nature, and abusive use.

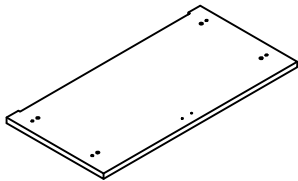
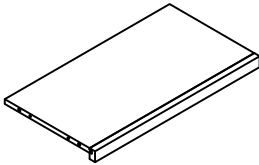
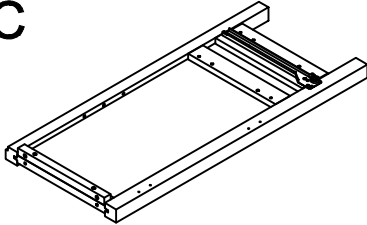
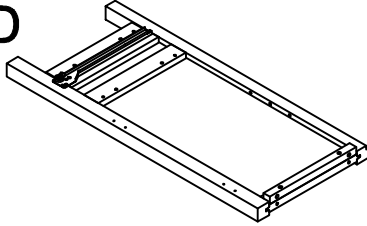
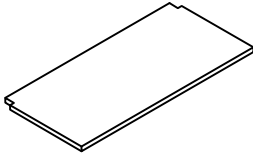
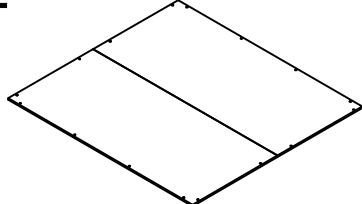
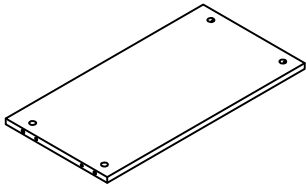
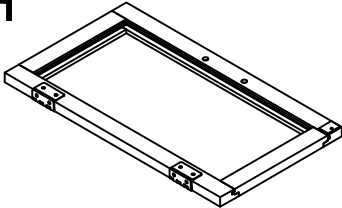
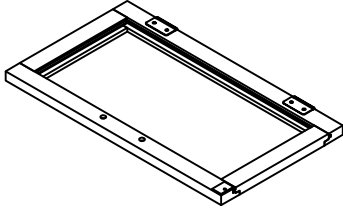
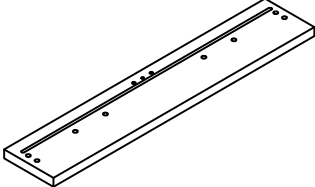
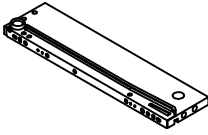
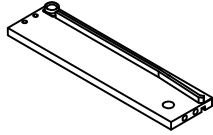
Customer Care

Email: customercare@easygoodsliving.com

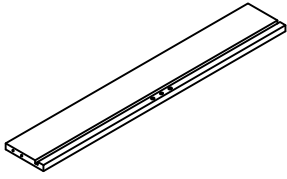
Customer Service Number: (725)298-8606

Thank you for purchasing this quality product. Be sure to check all packing material carefully for small parts, which may have come loose inside the carton during shipment. Count all parts and material hardware, then compare with parts list to be sure all parts are present. If any parts are missing or damaged, please contact our Customer Service Department for efficient and speedy service. Please indicate the model number and code letter of part(s) needed.

IMPORTANT NOTE: Follow instructions listed below in proper sequence as numbered to assure fast, easy and correct assembly.

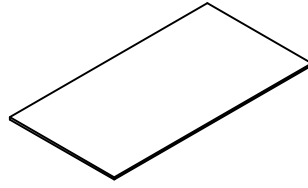
PARTS LIST		
A 	B 	C 
TOP PANEL -1PC	BOTTOM PANEL -1PC	LEFT SIDE PANEL -1PC
D 	E 	F 
RIGHT SIDE PANEL -1PC	ADJUSTABLE SHELF -1PC	BACK PANEL -1PC
G 	H 	I 
FIXED PANEL -1PC	LEFT DOOR -1PC	RIGHT DOOR -1PC
J 	K 	L 
DRAWER FRONT PANEL -1PC	DRAWER LEFT SIDE PANEL -1PC	DRAWER RIGHT SIDE PANEL -1PC

M



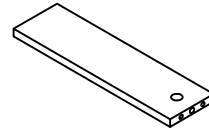
DRAWER BACK PANEL -1PC

N


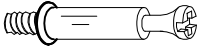

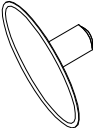
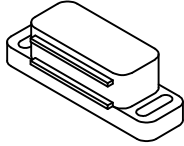

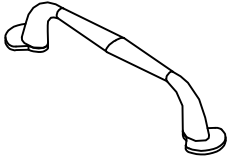


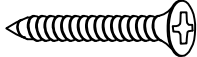

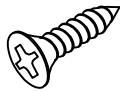
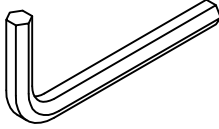
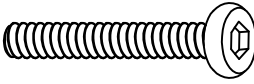
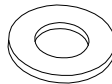
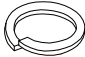




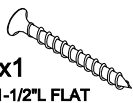


**DRAWER
BOTTOM PANEL -1PC**

O

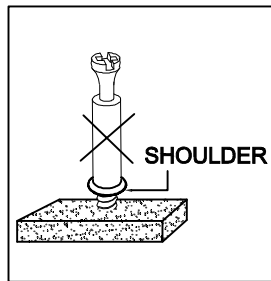
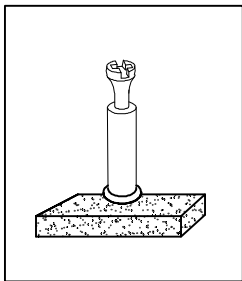


SUPPORT PANEL -1PC

<p>a</p>  <p>WOOD DOWEL-18PCS</p>	<p>b</p>  <p>CAM LOCK BOLT-11PCS</p>	<p>c</p>  <p>CAM LOCK-11PCS</p>			
<p>d</p>  <p>SHORT PLASTIC COVER -2PCS</p>	<p>e</p>  <p>MAGNET-1PC</p>	<p>f</p>  <p>5/8" L ROUND HEAD SCREW-17PCS</p>			
<p>g</p>  <p>HANDLE-2PCS</p>	<p>h</p>  <p>HANDLE BOLT-8PCS</p>	<p>i</p>  <p>DRAWER HANDLE-2PC</p>			
<p>j</p>  <p>1" L FLAT HEAD SCREW-5PCS</p>	<p>k</p>  <p>SHELF PIN-4PCS</p>	<p>l</p>  <p>5/8" L FLAT HEAD SCREW-8PCS</p>			
<p>m</p>  <p>WRENCH-1PC</p>	<p>n</p>  <p>BOLT-4PCS</p>	<p>o</p>  <p>WASHER-4PCS</p>			
<p>p</p>  <p>SPRING WASHER-4PCS</p>	<p>ANTI-TIPPING HARDWARE PACKAGE</p> <div style="display: flex; justify-content: space-around; align-items: flex-start;"> <div style="text-align: center;"> <p>1</p>  <p>x2 RECTANGLE METAL PLATE</p> </div> <div style="text-align: center;"> <p>2</p>  <p>x1 FLAT HEAD SCREW</p> </div> <div style="text-align: center;"> <p>3</p>  <p>x1 PLASTIC ANCHOR</p> </div> <div style="text-align: center;"> <p>4</p>  <p>x1 PLASTIC BAND</p> </div> <div style="text-align: center;"> <p>5</p>  <p>x1 1-1/2" L FLAT HEAD SCREW</p> </div> </div>				

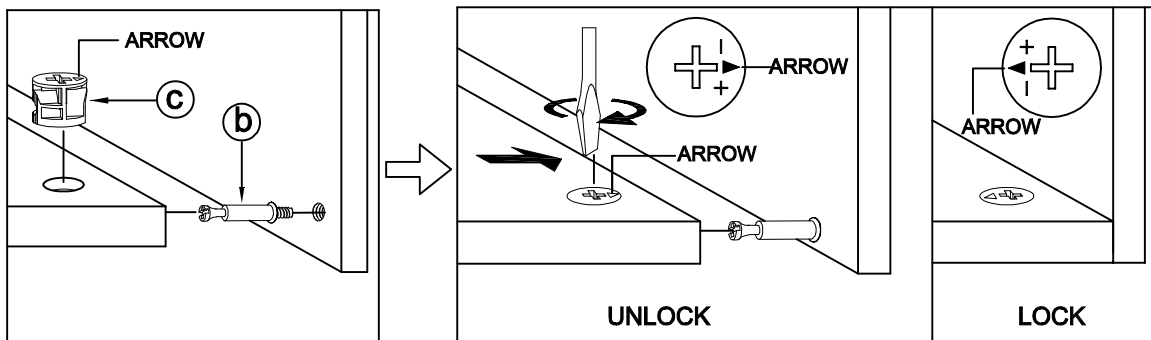
NOTE: THE SURFACE WITH THE STICKER IS THE BACK SIDE

NOTE: • UPON OPENING, THOROUGHLY CLEAN ALL WOOD SURFACES TO REMOVE DUST AND DIRT THAT MAY HAVE SETTLED ONTO THE FINISH DURING SHIPMENT. IN ORDER TO PREVENT DAMAGE DURING ASSEMBLY. PLEASE ASSEMBLE THIS ITEM WITH AT LEAST TWO PEOPLE.



NOTE: TURN THE CAM-BOLT SCREWS UNTIL THEY ARE TIGHT, THE SHOULDER SHOULD BE AGAINST THE SURFACE OF THE PART.

HOW TO USE THE CAM-TOOL



NOTE: • THE ARROWS ON THE HIDDEN CAM-LOCKS SHOULD POINT TO THE CAM-BOLTS.

FIG 1

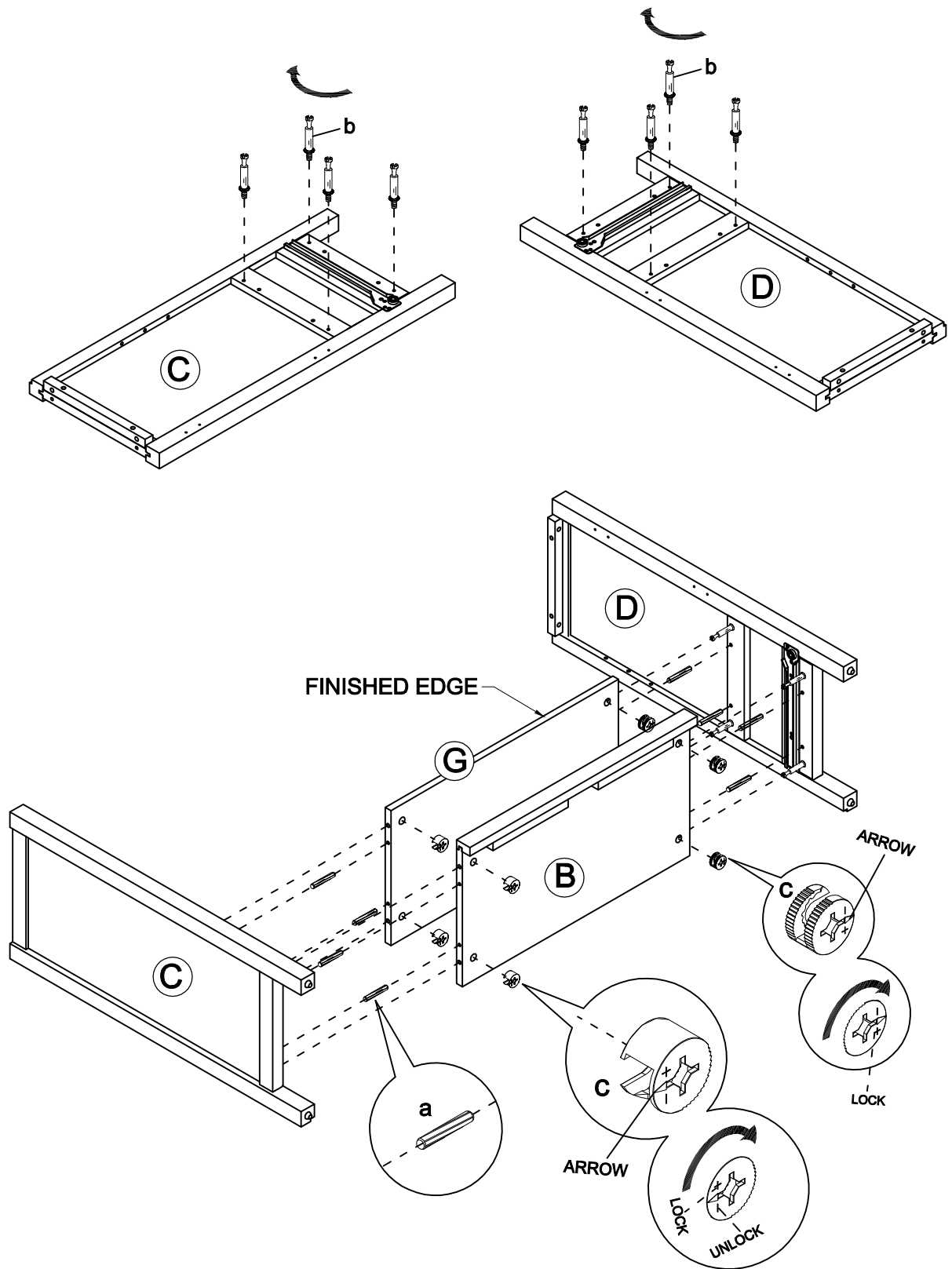


FIG 2

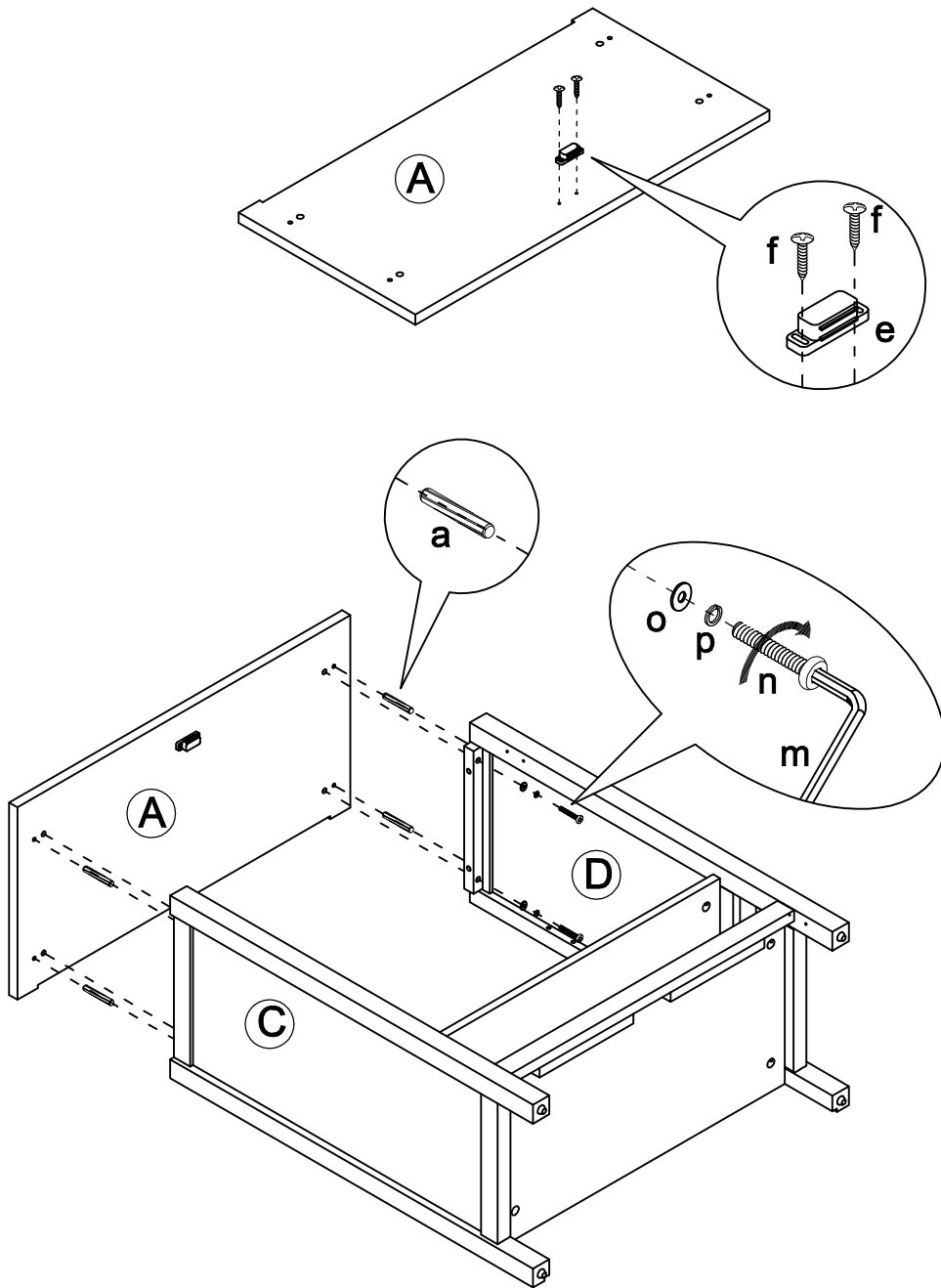


FIG 3

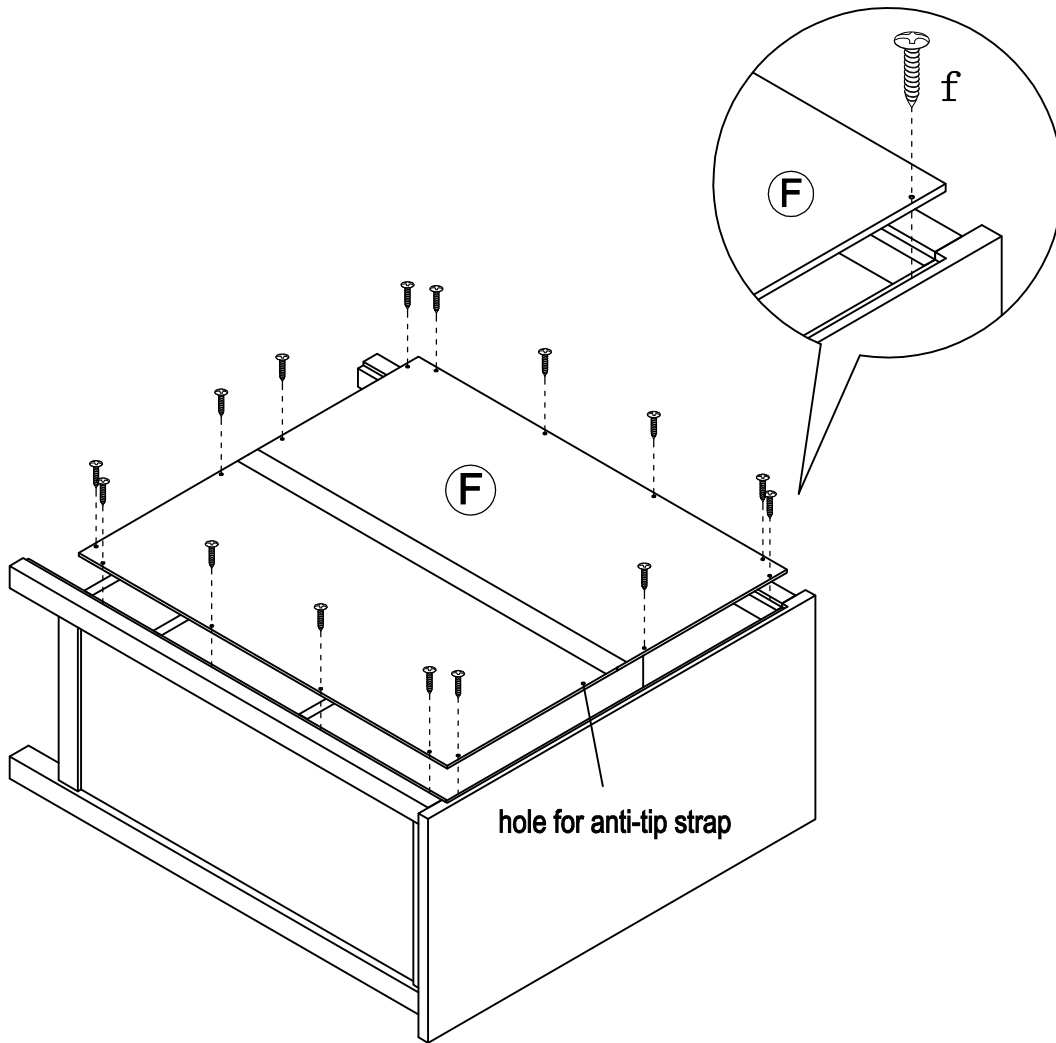


FIG 4

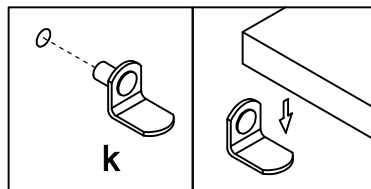
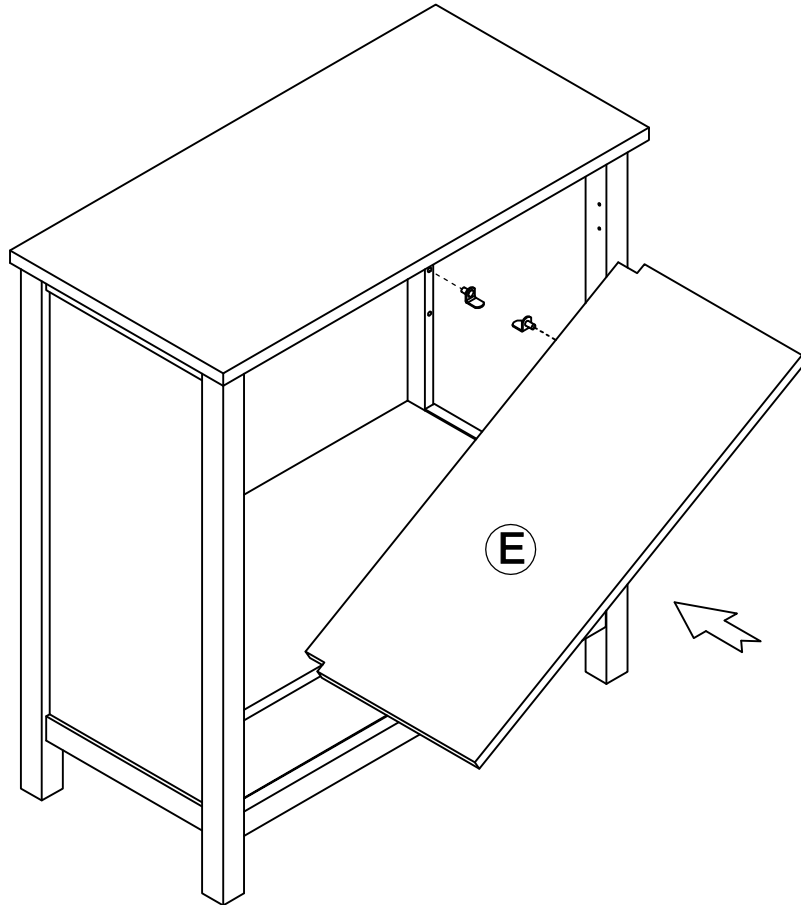


FIG 5

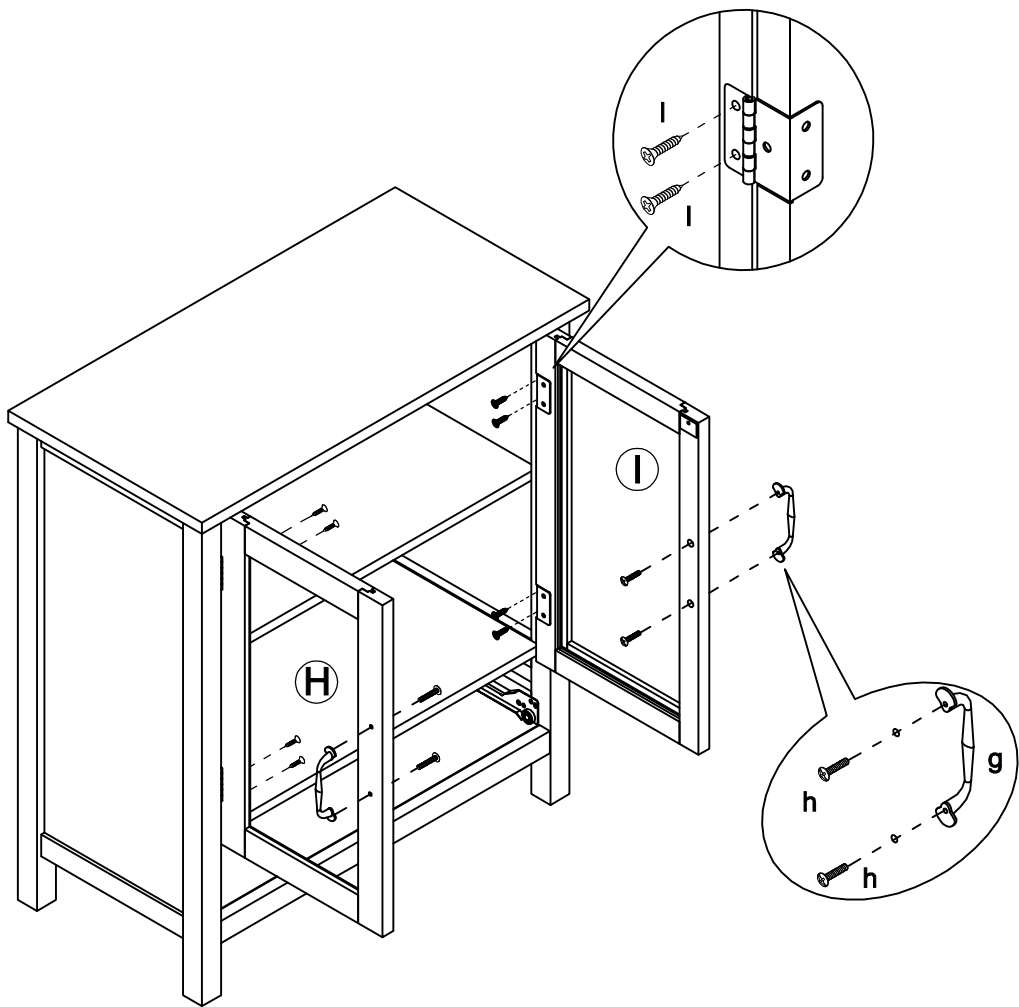


FIG 6

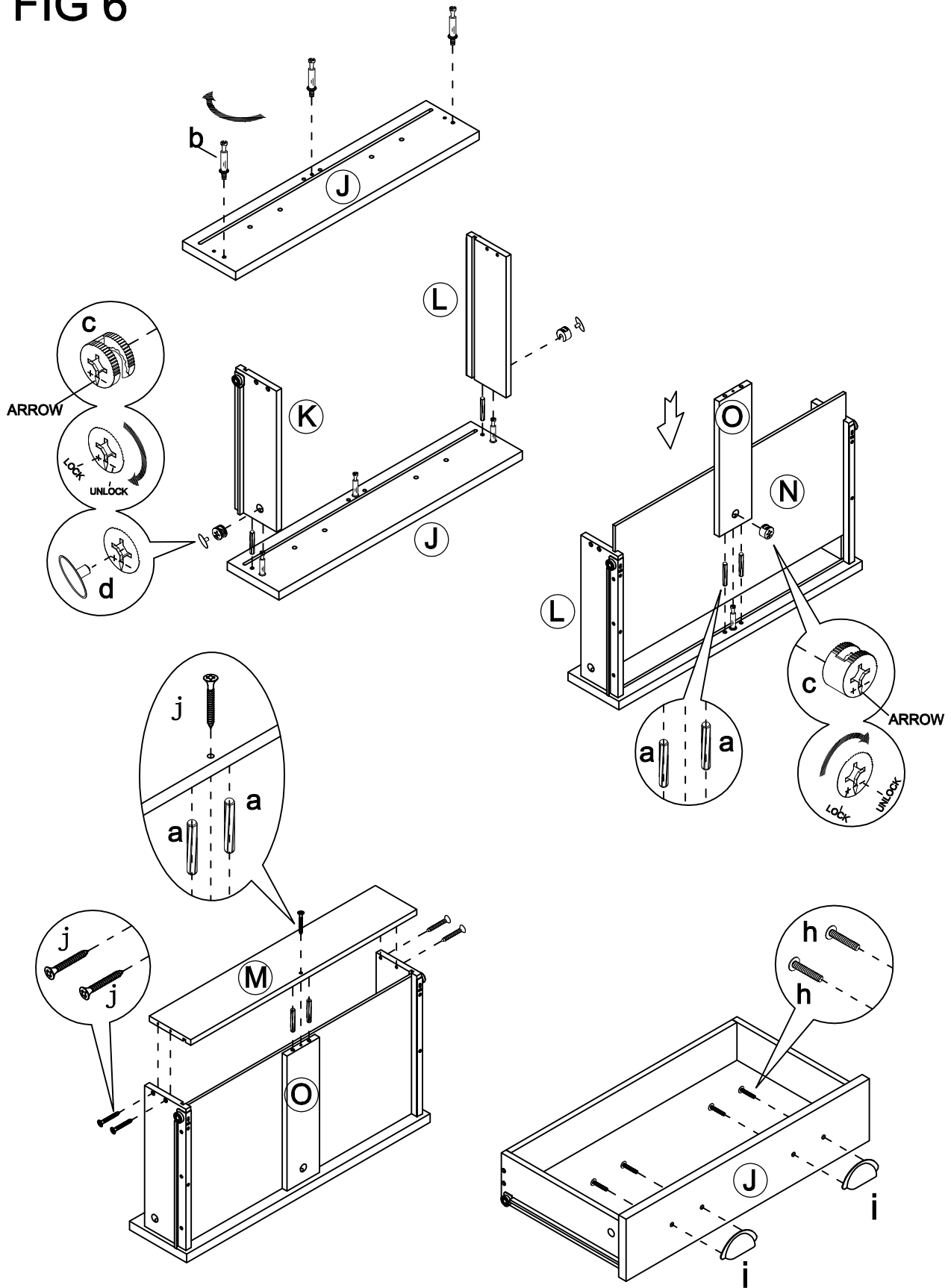


FIG 7

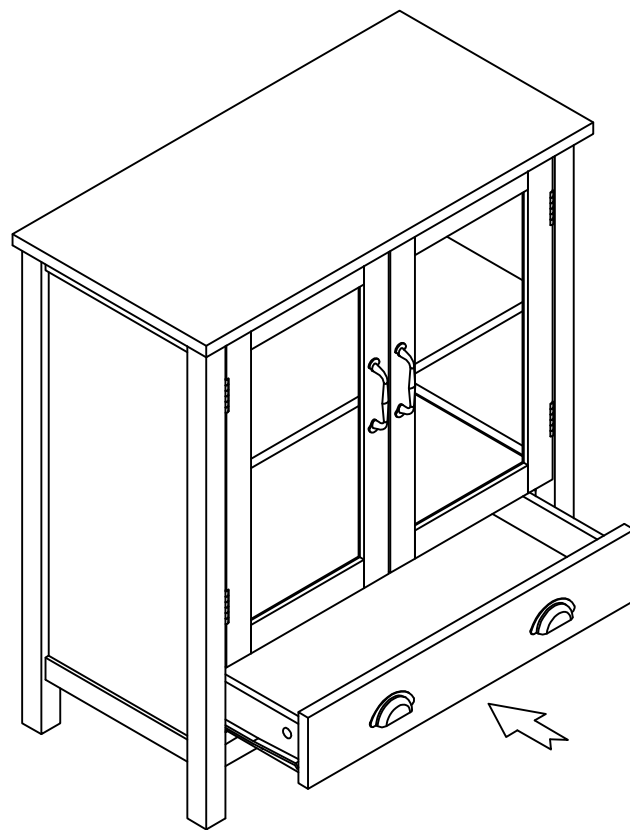


FIG 8

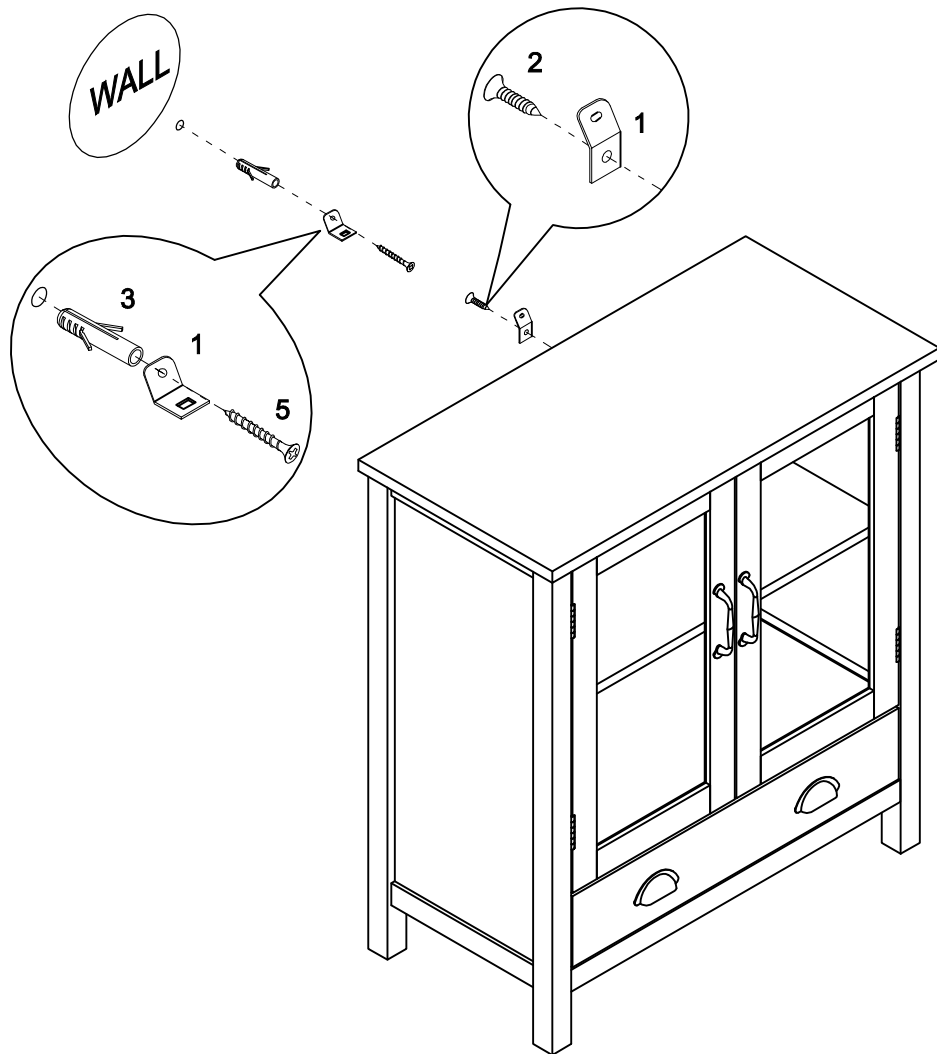


FIG 9

