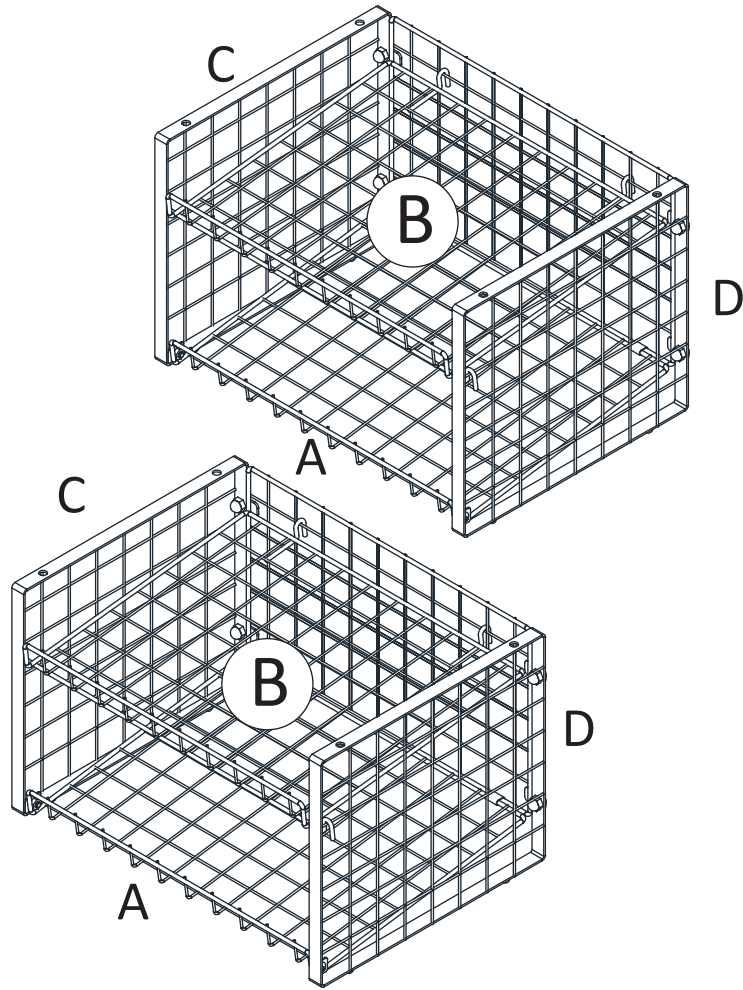
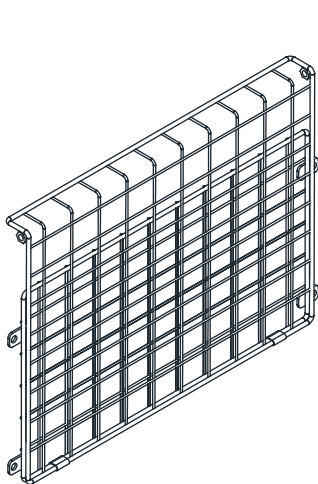


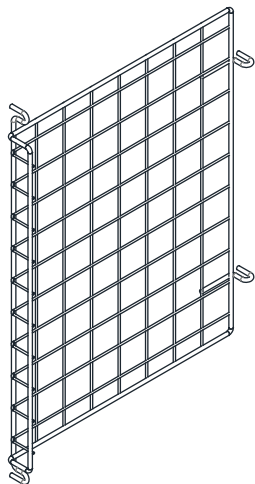
Assembly Instructions



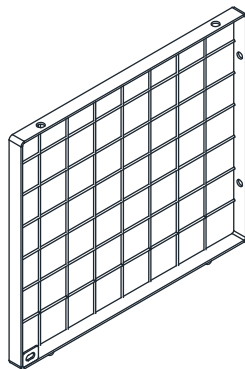
Parts Included



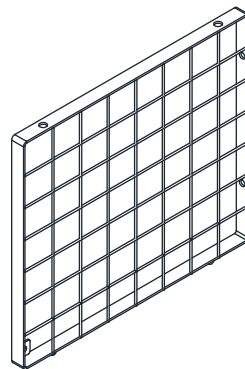
2pcs
A



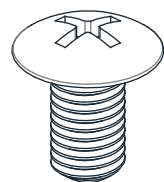
2pcs
B



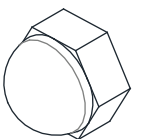
2pcs
C



2pcs
D

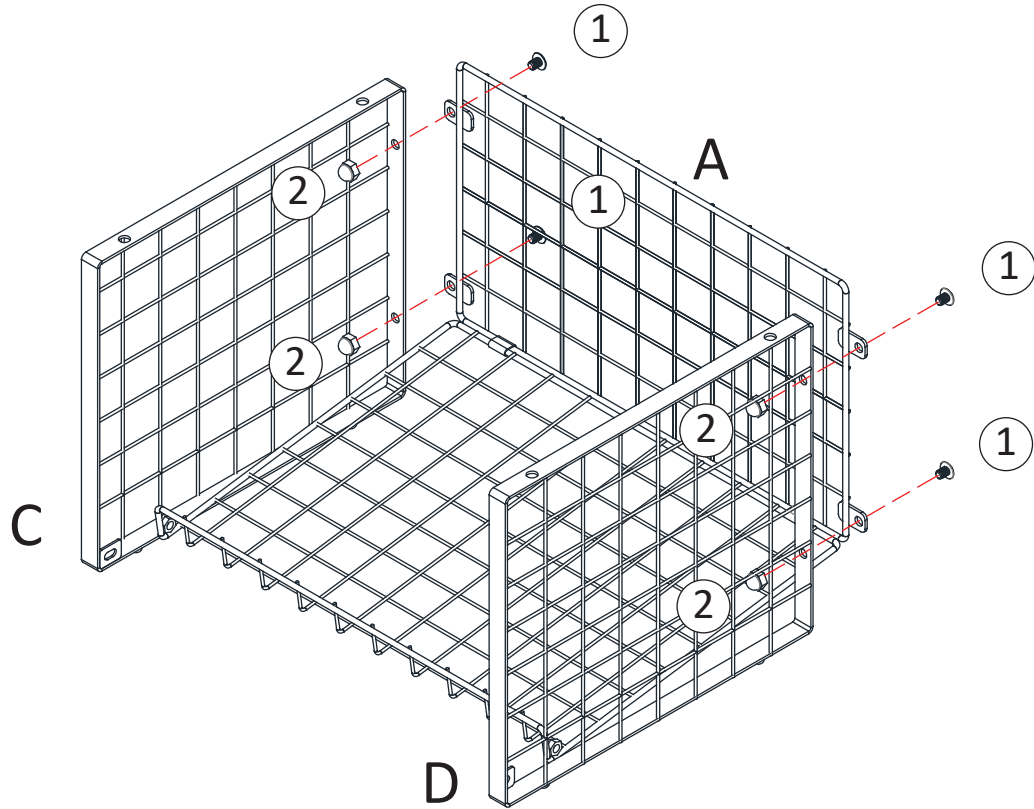


14pcs
1

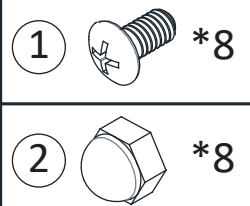


10pcs
2

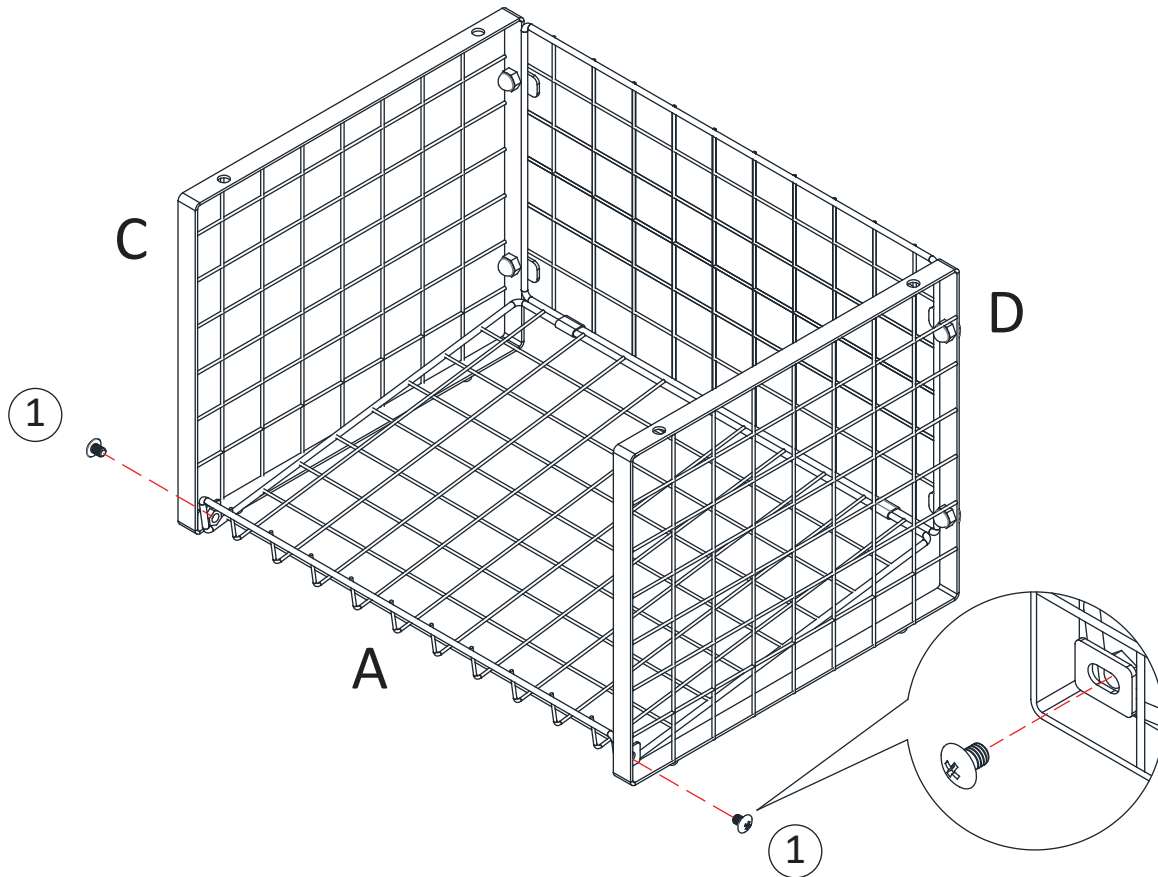
1. Connect parts C\D to A with screws ① ② as shown.
Note the direction of C\D.



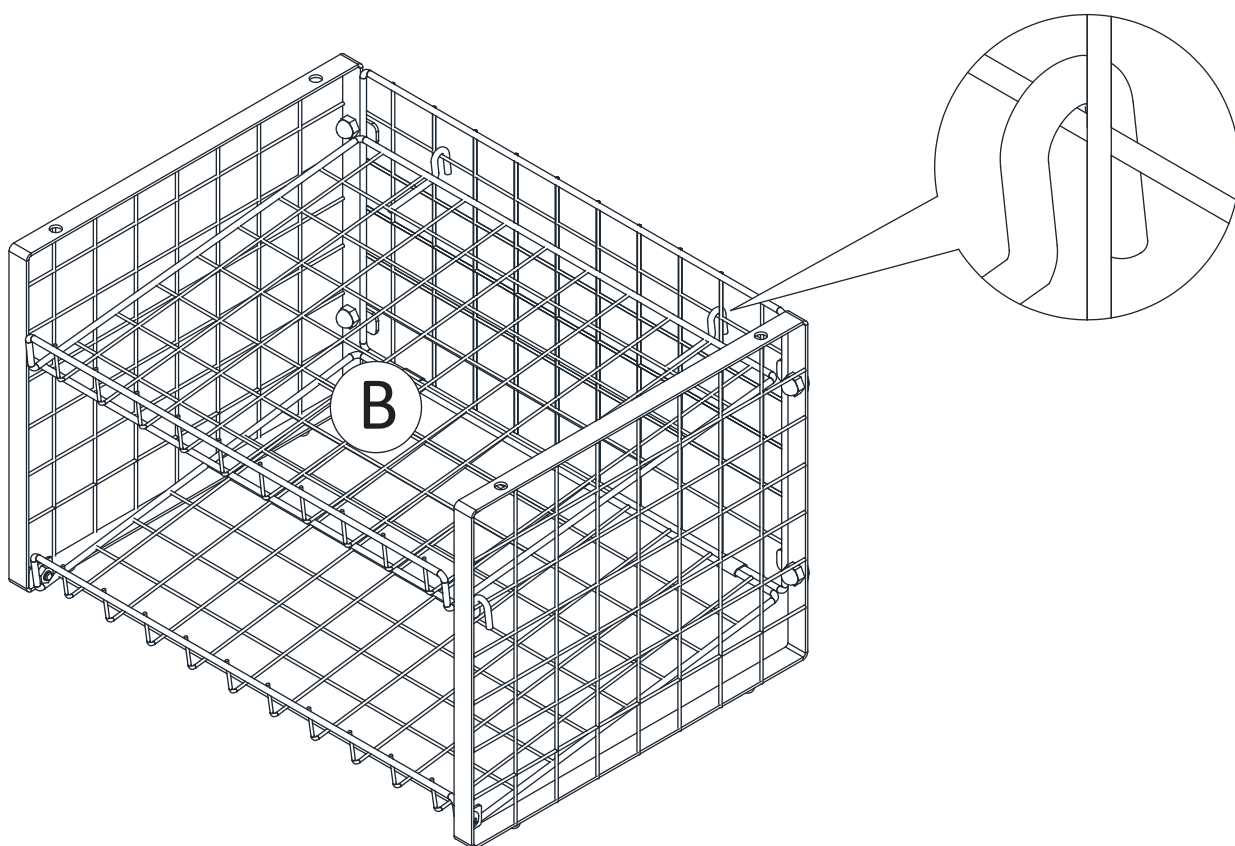
X2



2. Fix the mesh A with screws ① as shown.
If the screw holes are slightly offset, a little force can be used to align them.



3. Hook the 2 hooks on the back of mesh B to A, and the left and right hooks to the side frame (either parallel or angled)



4. Can be stacked or used individually.

