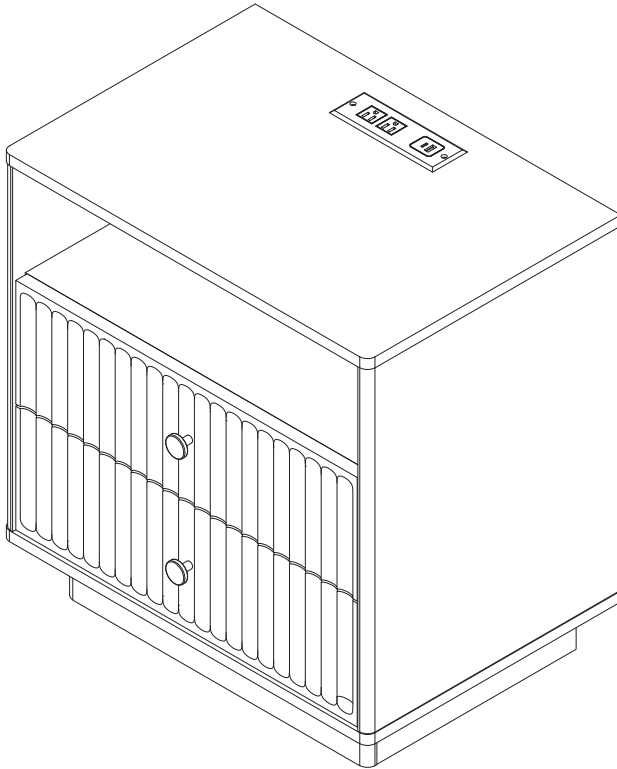
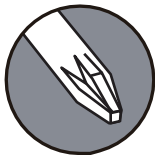


# Owner Manual



# PLEASE READ CAREFULLY



TOOLS REQUIRED



Two people are required for assembly.



Move this piece of furniture gently with two people.



Read this assembly manual carefully, and verify that you have all the parts listed before you begin.  
Keep your assembly manual for future reference.



Do not place very hot/cold objects on top of any surface.  
Always use a coaster or mat. Never leave liquids on the surface.  
Clean immediately with a mild soap and a damp cloth.  
Never use scouring powder based cleanser.



Protect finishes by placing furniture pieces on a soft carpeted surface during assembly.



## SAFE INFORMATION

### **WARNING: To prevent serious injury or death from furniture tip-overs.**

- **NEVER** allow children to climb, stand, or play on any furniture.
- **ALWAYS** supervise children around furniture.
- **KEEP** remote controls, toys, and other attractive items out of reach from the tops of furniture.

### **WARNING: ALWAYS anchor furniture to the wall.**

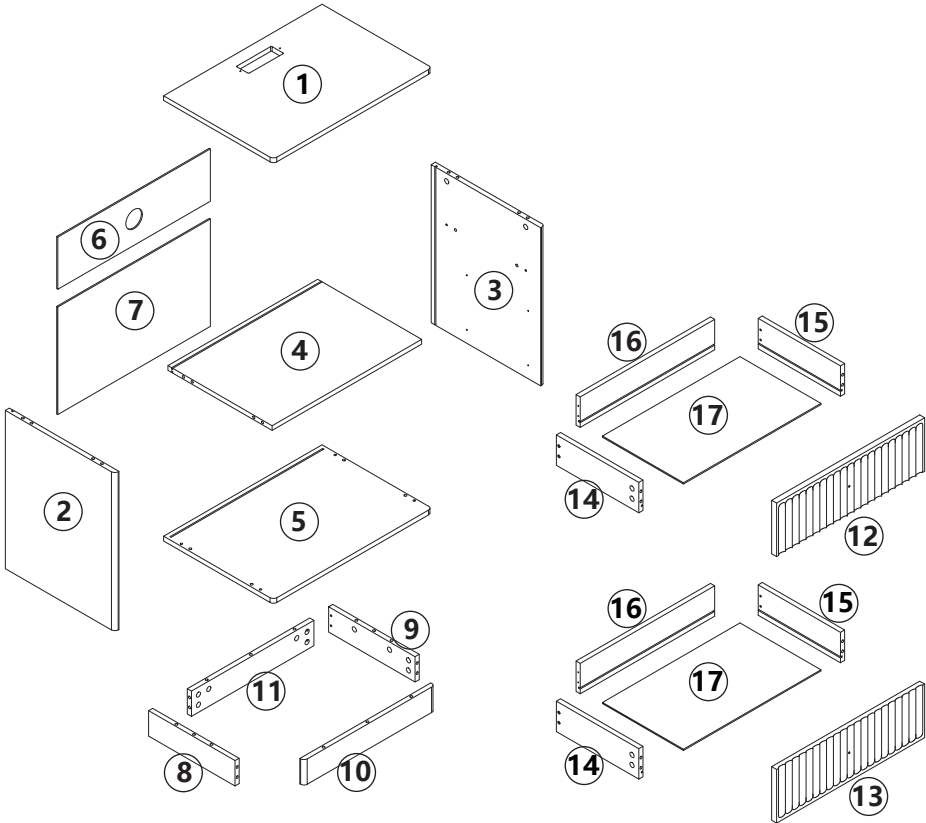
- Anchoring is **ESSENTIAL** to prevent tip-overs.
- Anchor **DIRECTLY** to wall studs or masonry using appropriate hardware.
- **CONSULT** a qualified professional if you are uncertain about your wall construction or how to install anchors properly.
- **REFER** to your television and furniture owner' s manuals for model-specific instructions.
- **NEVER** remove wall anchors without first emptying all items from the furniture.

### **CAUTION: Use only furniture designed for TVs.**

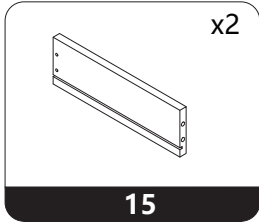
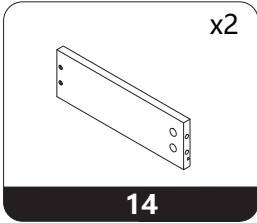
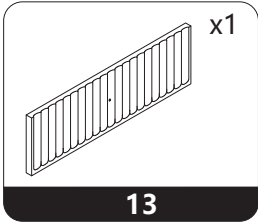
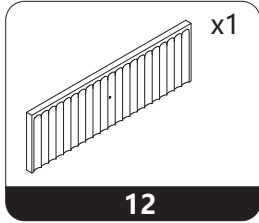
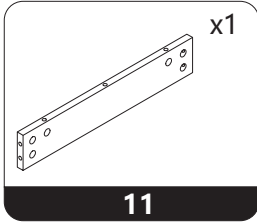
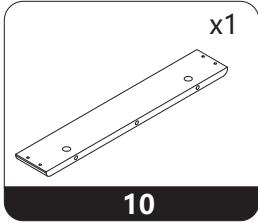
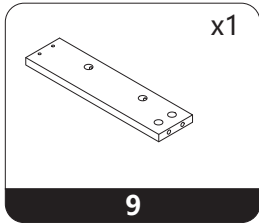
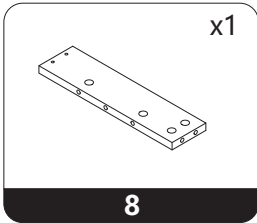
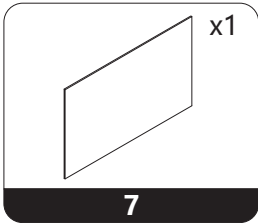
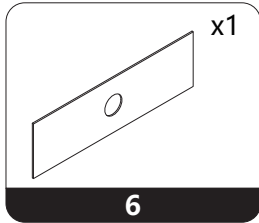
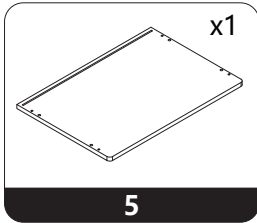
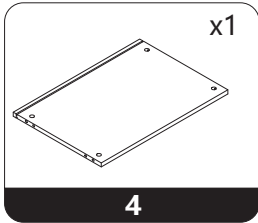
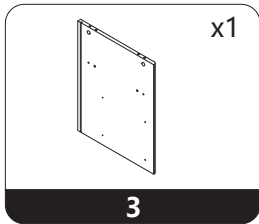
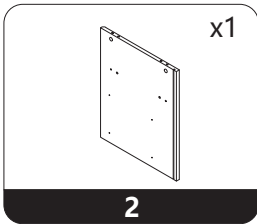
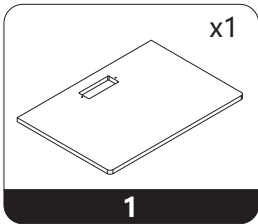
- Placing a TV on furniture **NOT** designed for it (e.g., dressers, bookcases) creates a top-heavy, unstable hazard.
- **USE ONLY** furniture specifically designed and rated to support the weight and size of your television.
- **FOLLOW** all manufacturer instructions for installation and weight limits.

➡ For more details, visit <https://www.anchorit.gov/>

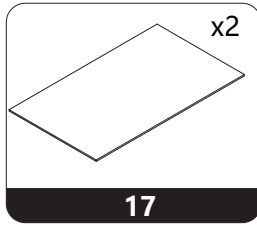
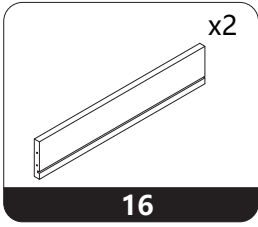
# EXPLODED VIEW



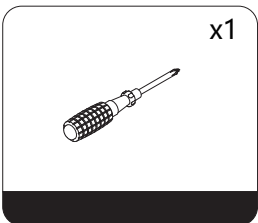
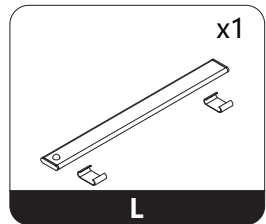
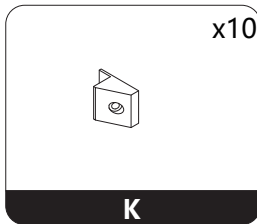
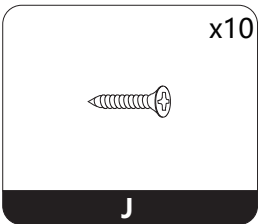
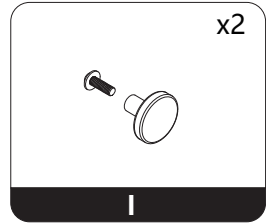
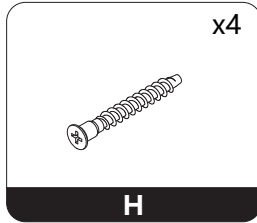
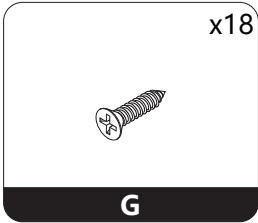
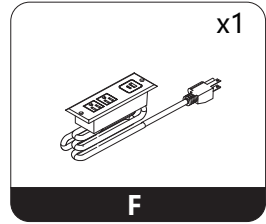
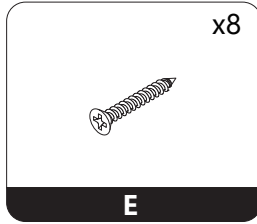
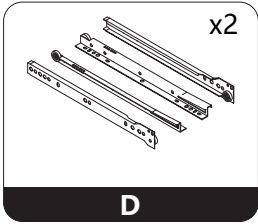
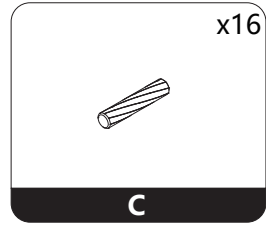
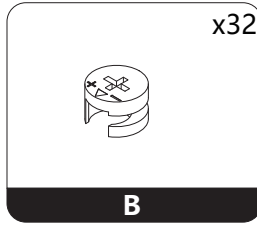
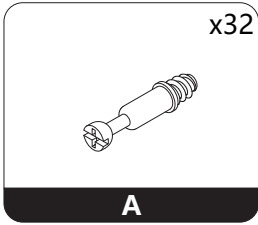
# PARTS



# PARTS



# HARDWARE

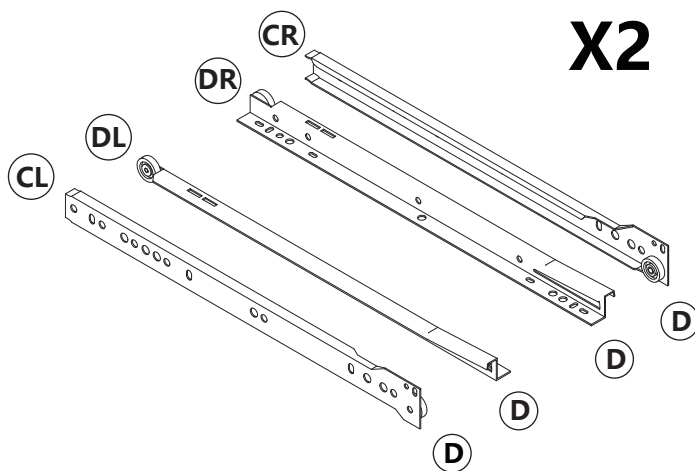
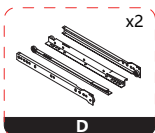


# ASSEMBLY INSTRUCTIONS

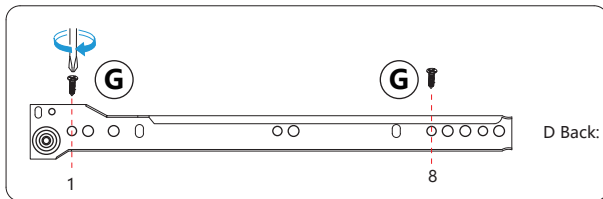
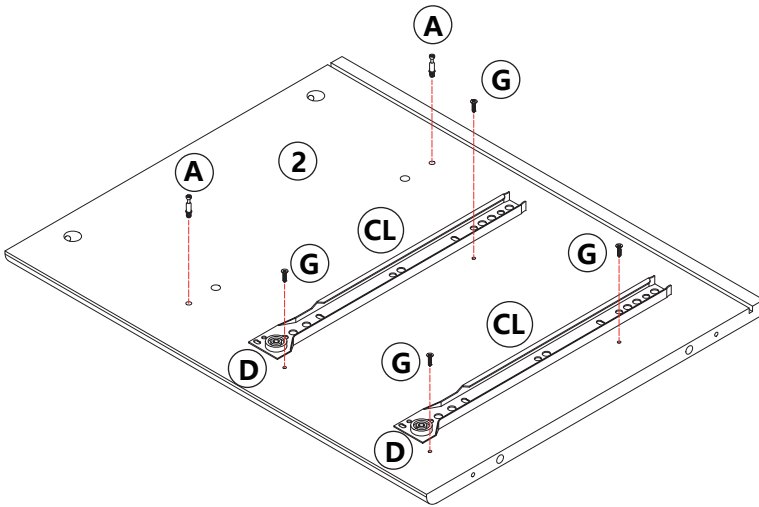
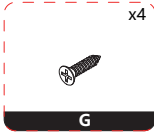
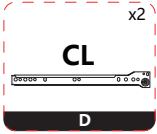
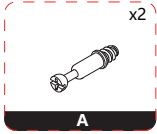
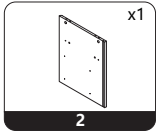


Do not tighten the screws until all of them are fastened into the holes.

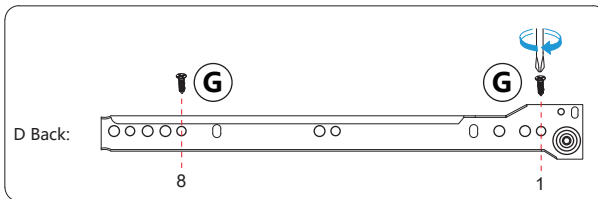
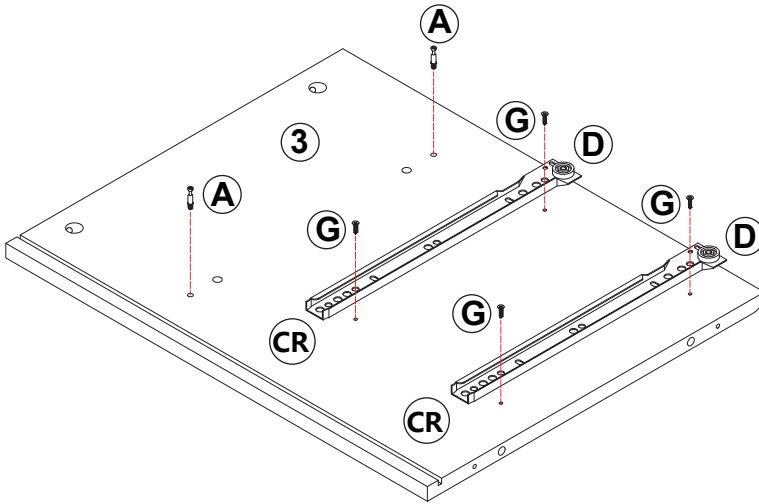
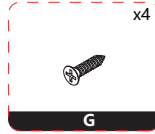
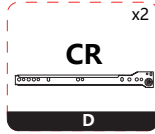
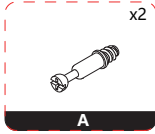
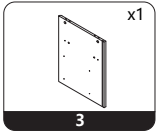
## STEP 1



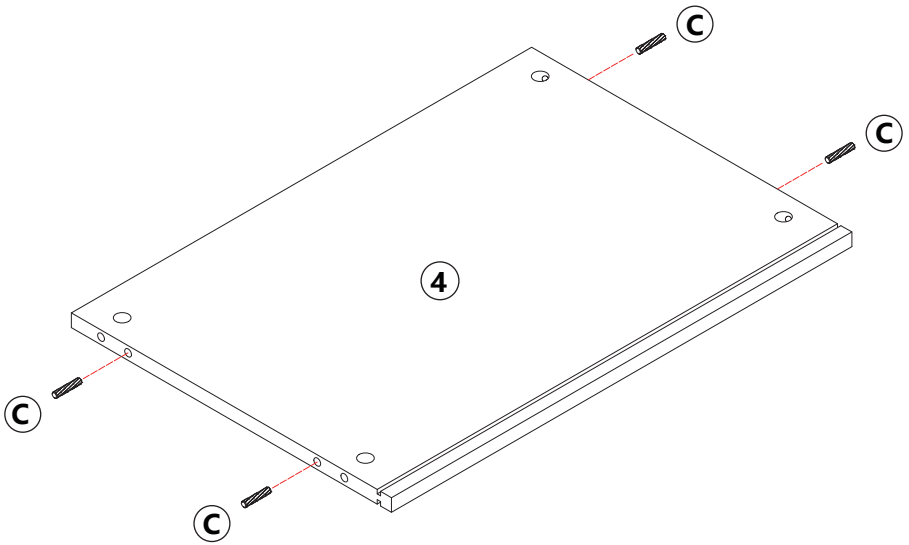
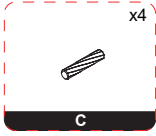
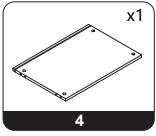
# STEP 2



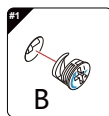
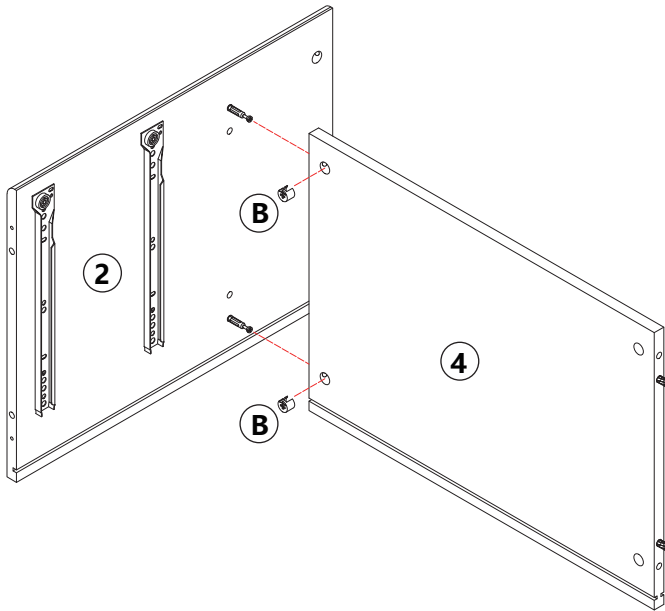
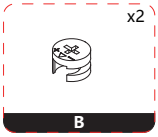
# STEP 3



# STEP 4

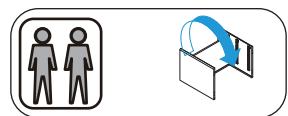
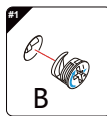
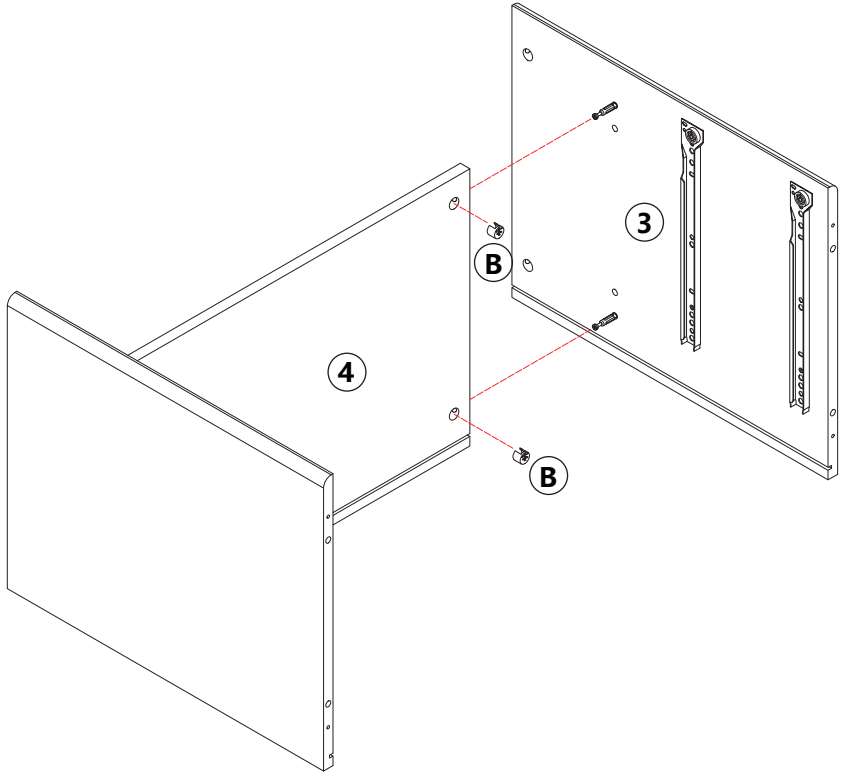
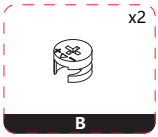


# STEP 5



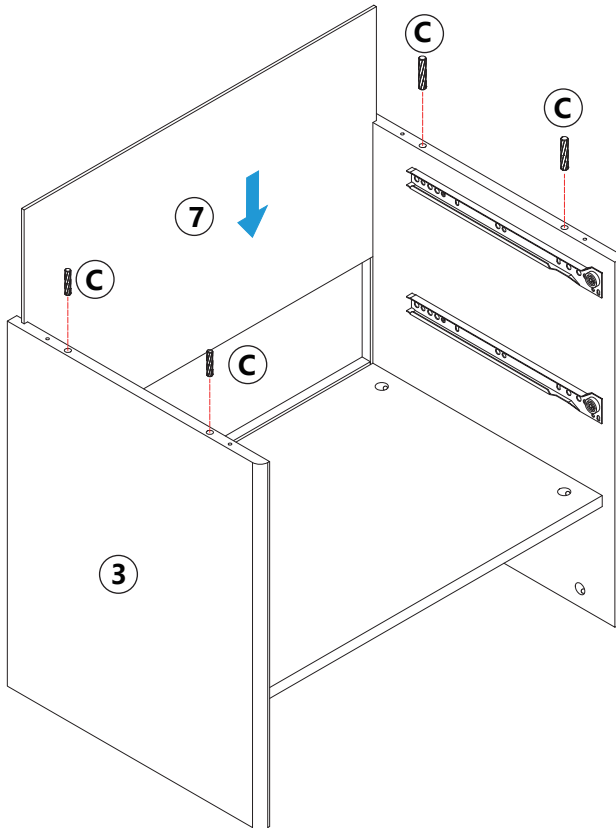
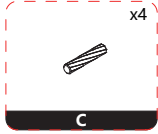
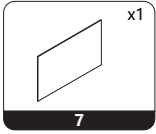
Note: the direction of the arrow.

# STEP 6

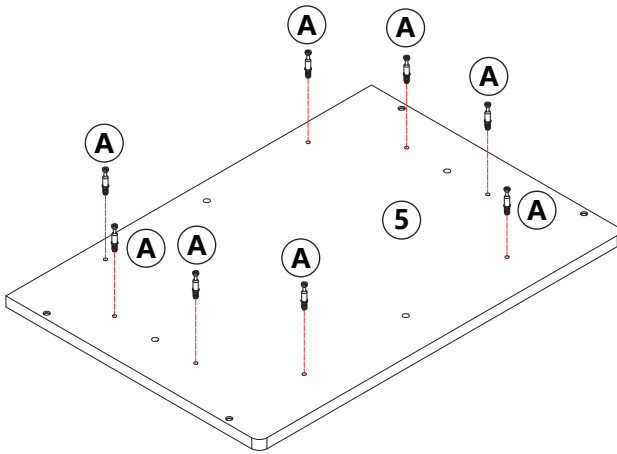
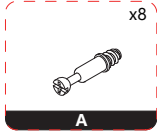
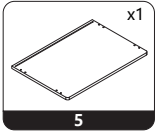


Note: the direction of the arrow.

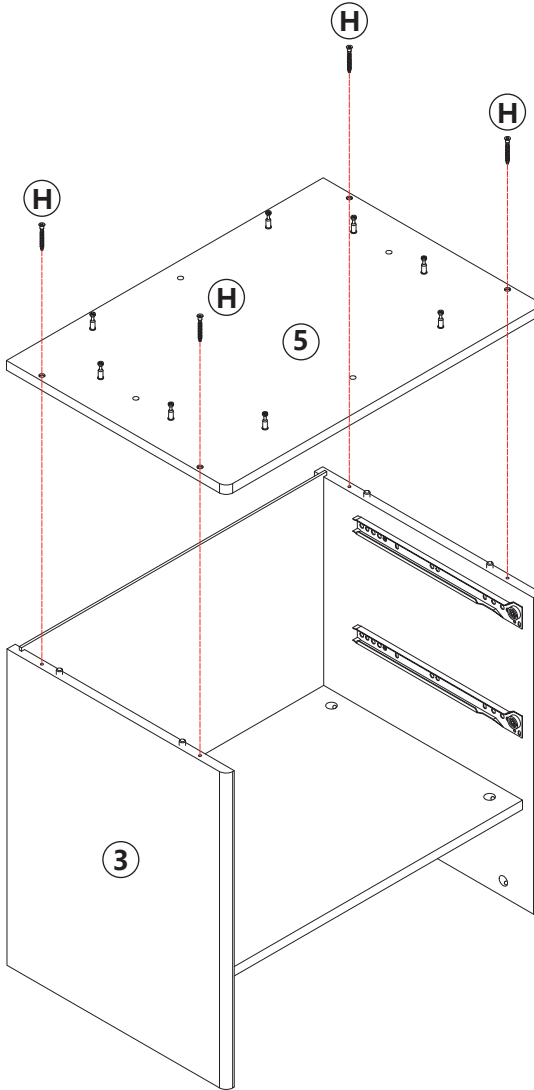
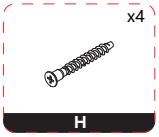
# STEP 7



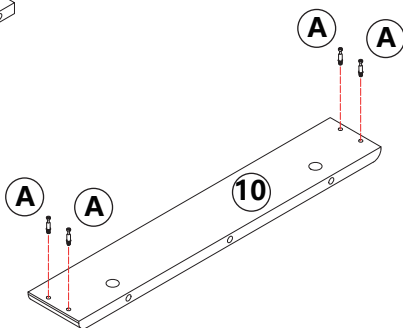
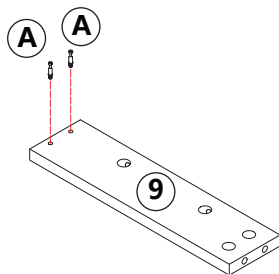
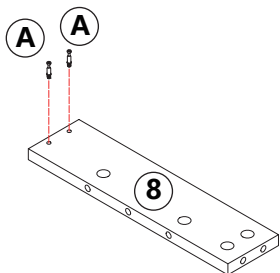
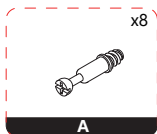
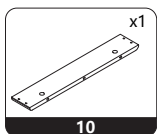
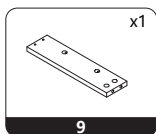
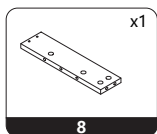
# STEP 8



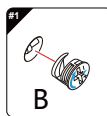
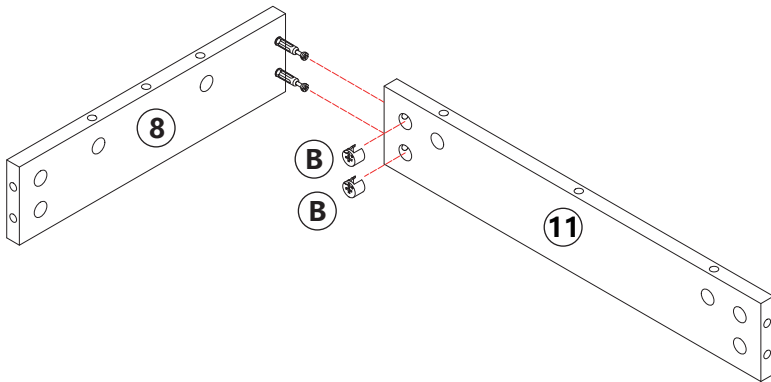
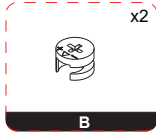
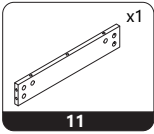
# STEP 9



# STEP 10

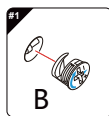
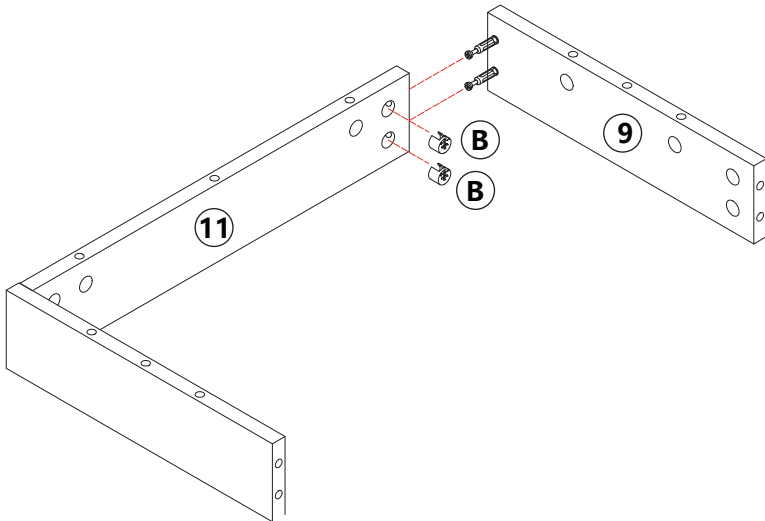
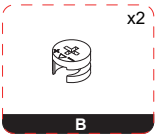


# STEP 11



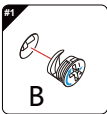
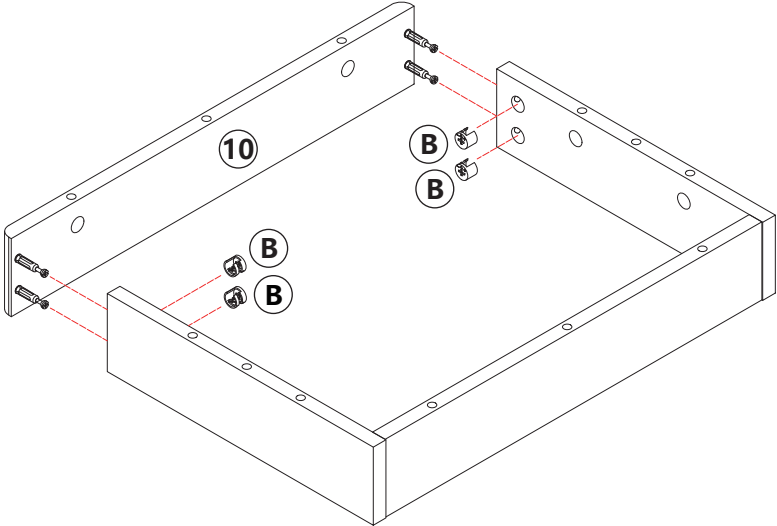
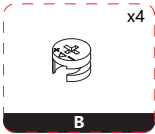
Note: the direction of the arrow.

# STEP 12



Note: the direction of the arrow.

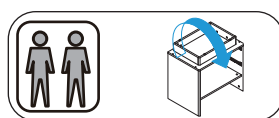
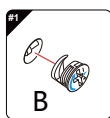
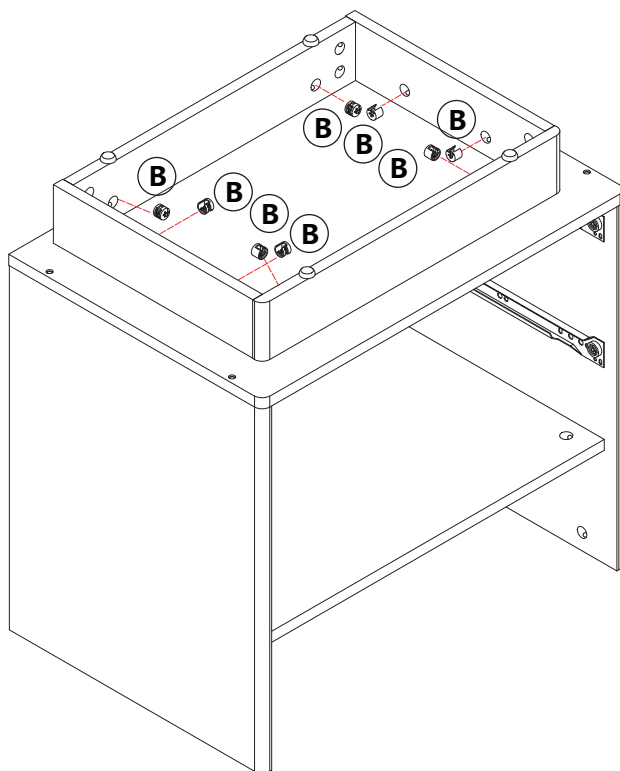
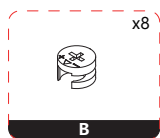
# STEP 13



Note: the direction of the arrow.

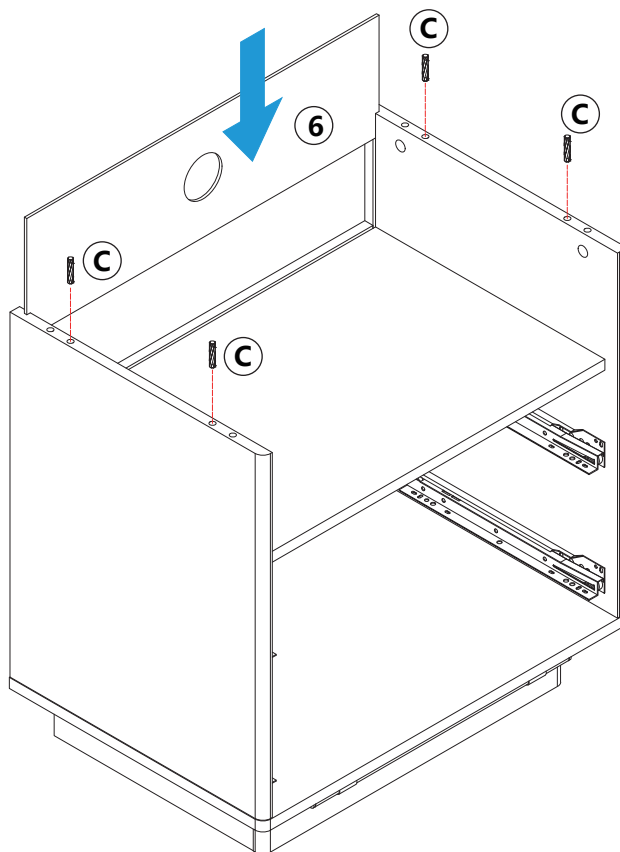
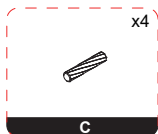
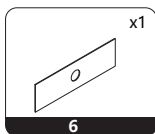


# STEP 15

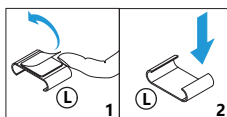
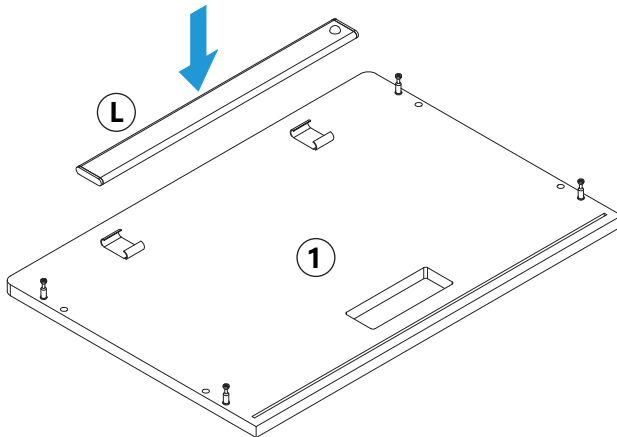
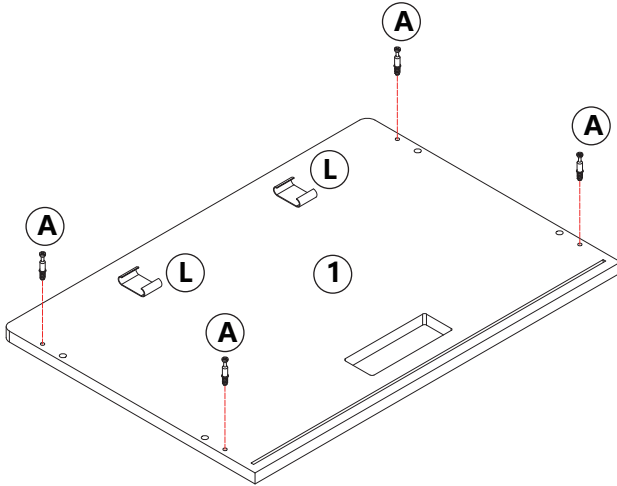
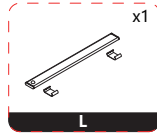
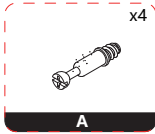
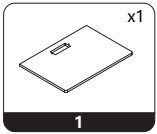


Note: the direction of the arrow.

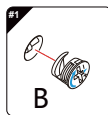
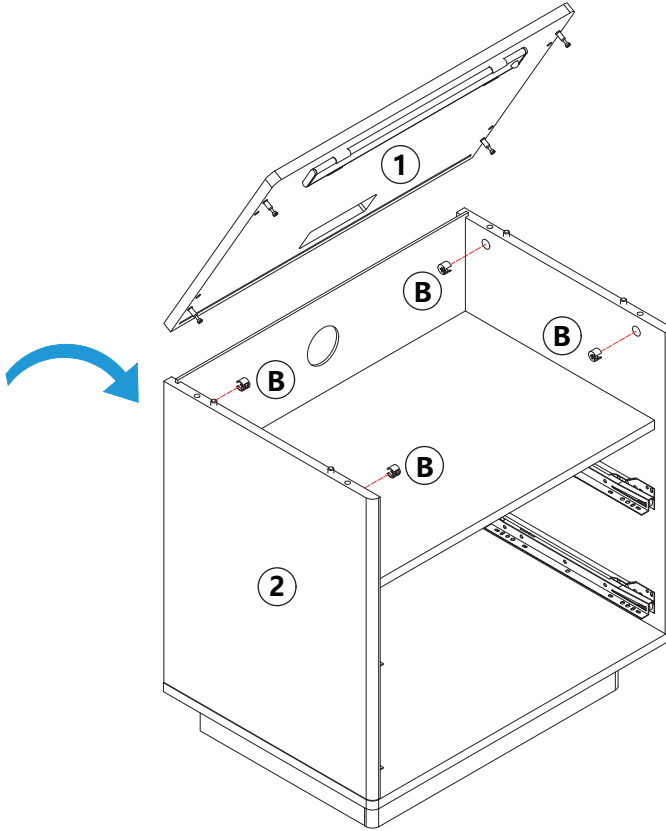
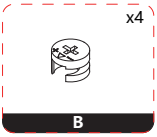
# STEP 16



# STEP 17

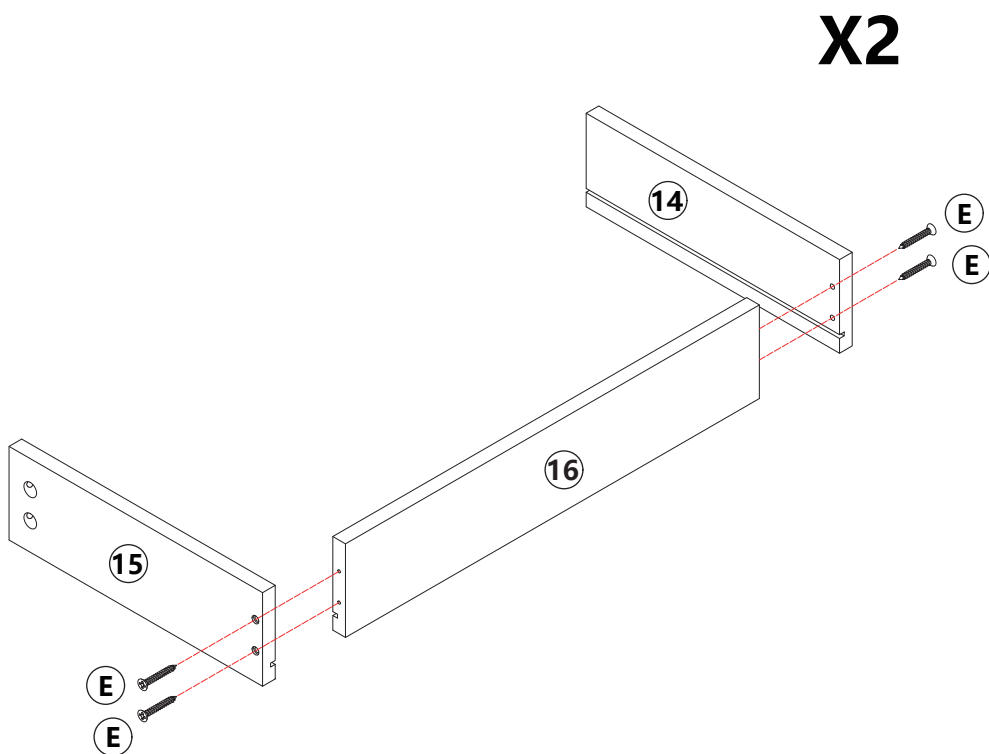
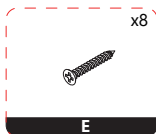
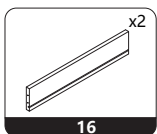
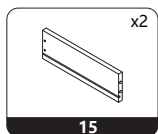
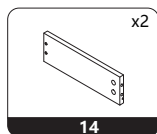


# STEP 18

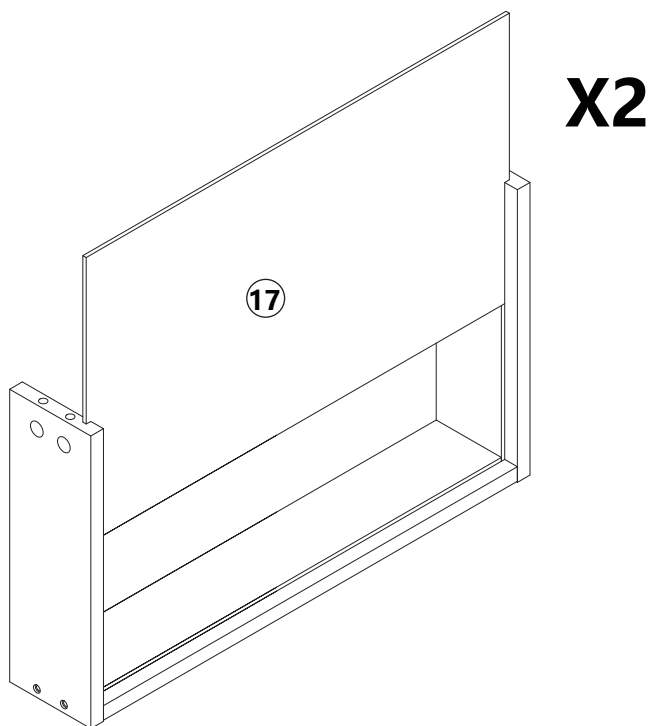
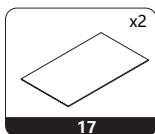


Note: the direction of the arrow.

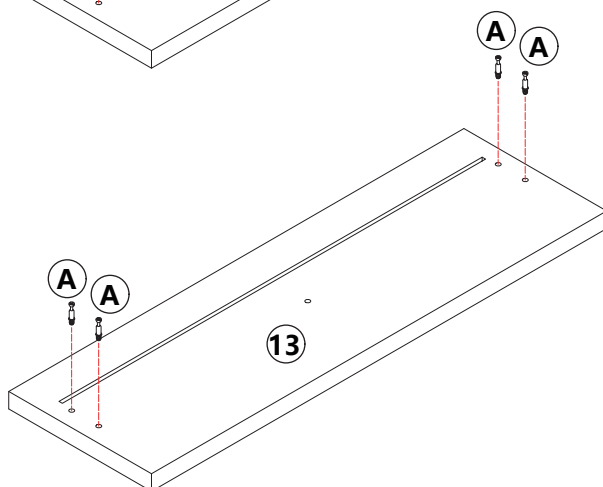
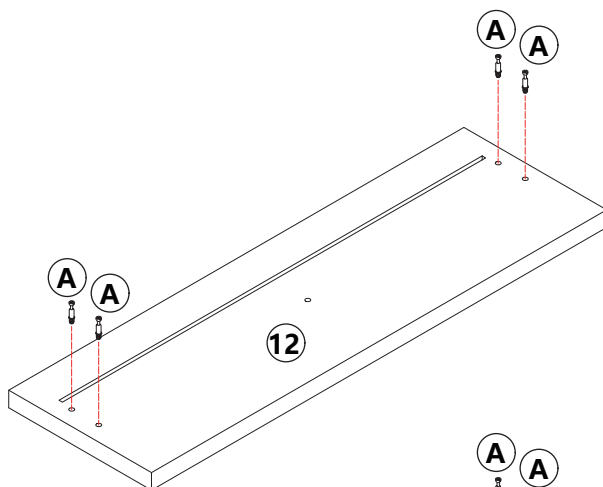
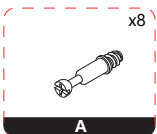
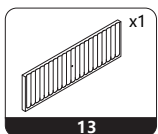
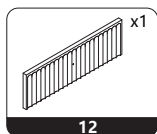
# STEP 19



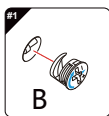
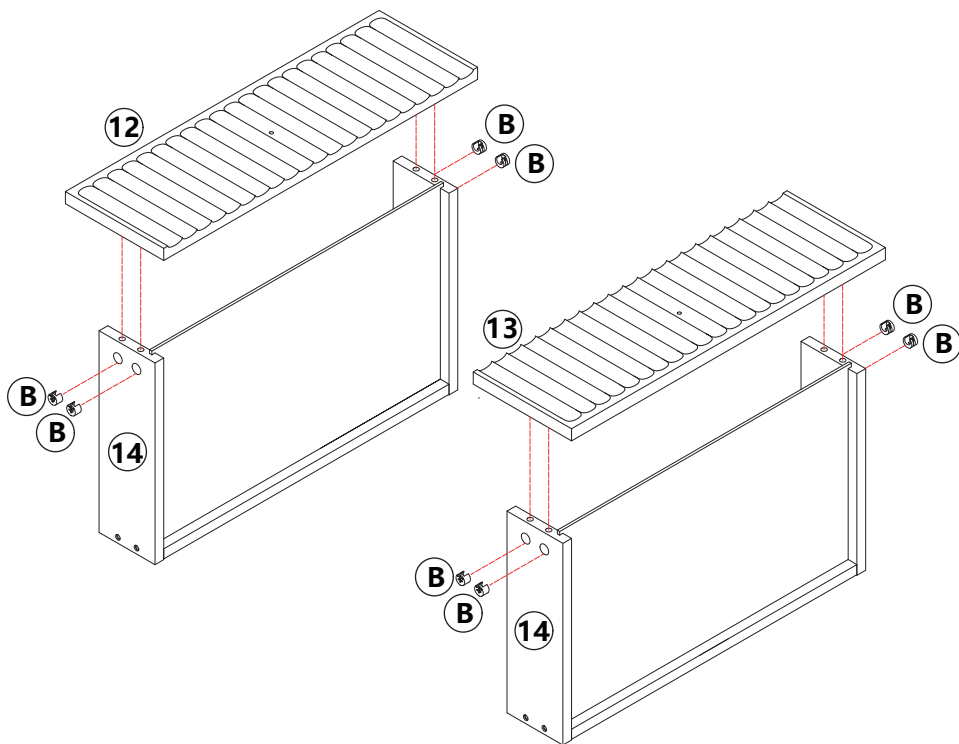
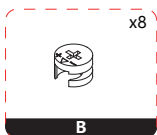
# STEP 20



# STEP 21

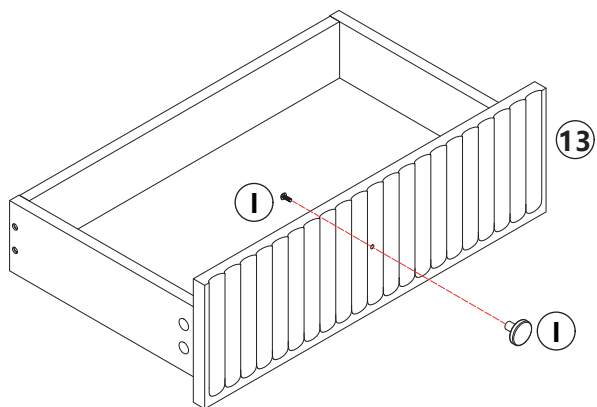
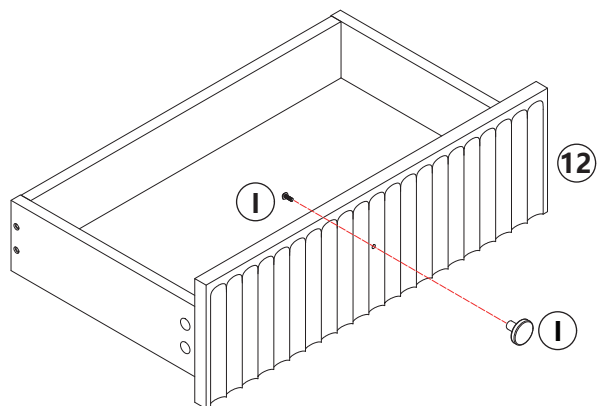
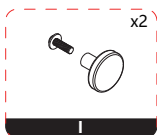


# STEP 22

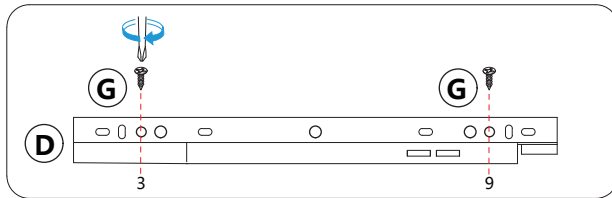
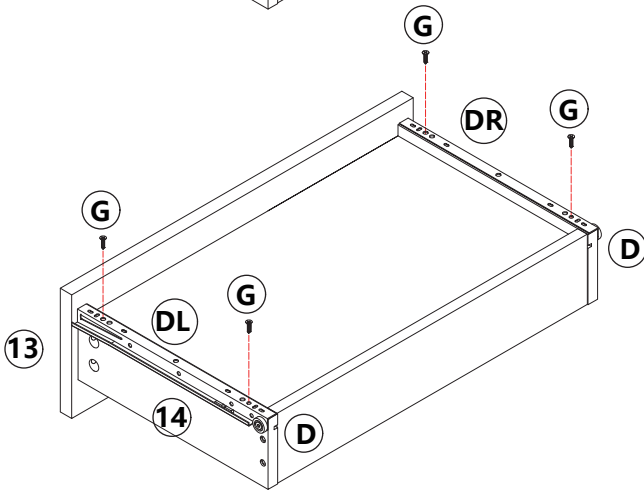
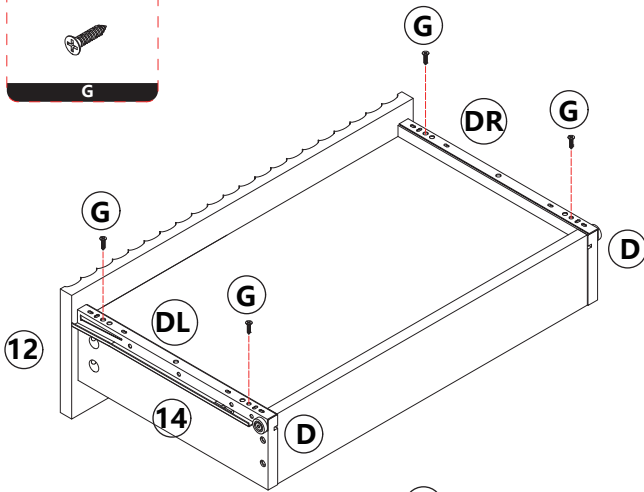
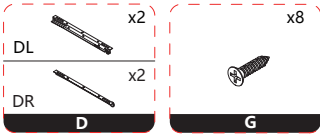


Note: the direction of the arrow.

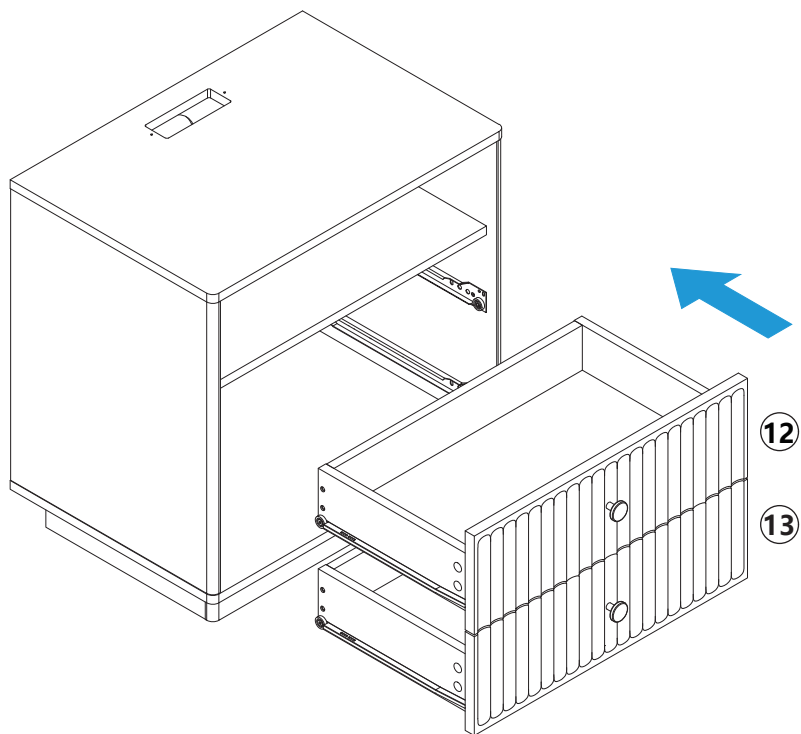
# STEP 23



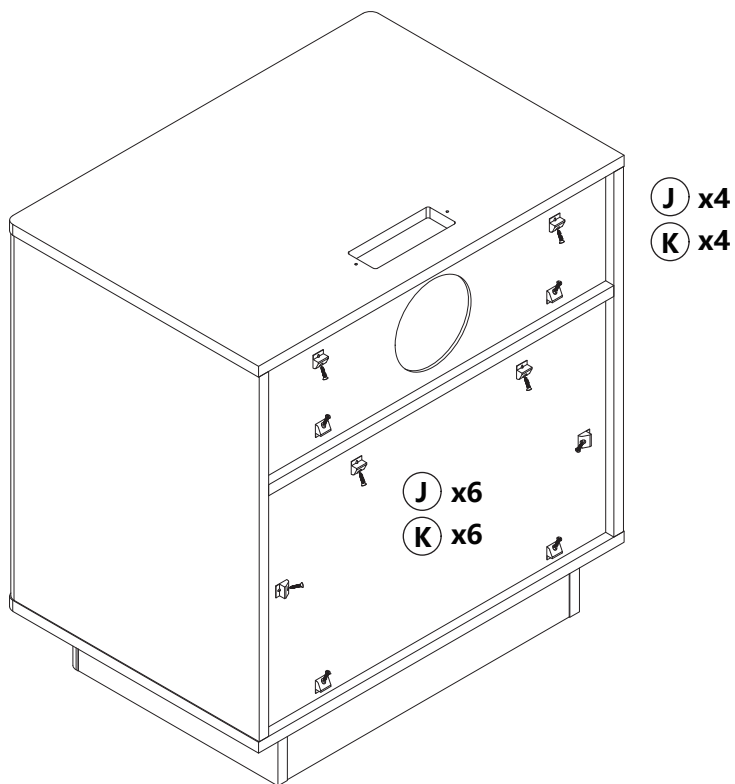
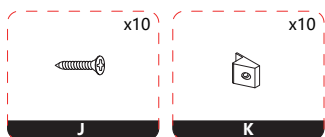
# STEP 24



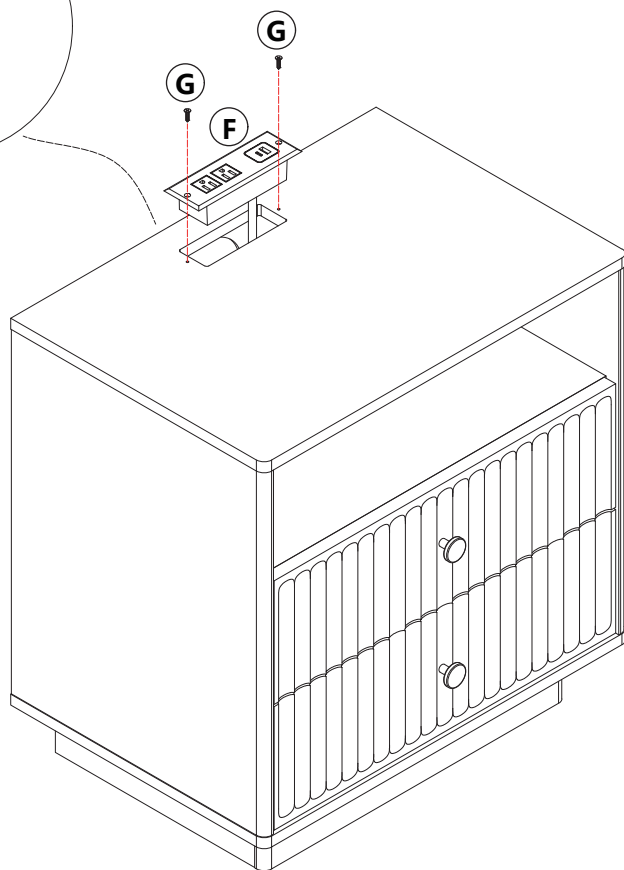
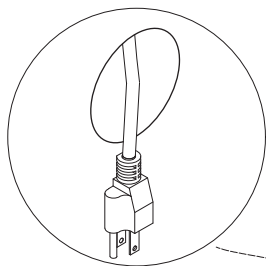
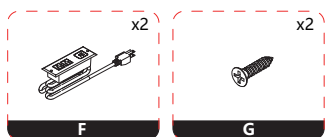
# STEP 25



# STEP 26



# STEP 27



## MAINTENANCE

- Wipe the surface with a soft, damp cloth and dry immediately.
  - Avoid using chemical cleaners, solvents, or abrasive pads that could damage the finish.
  - Do not place hot, wet, or heavy items directly on the surface.
  - Keep the furniture away from direct sunlight and excessive humidity to prevent warping or discoloration.
  - Check and tighten all screws periodically to maintain stability.
- 

## Warranty & Support

### Limited Warranty

This product is backed by a limited warranty that covers manufacturing defects under normal household use.

### Customer Service

If you have received a damaged product or are missing parts, please contact us directly for assistance. Do not return the product to the store.

When contacting us, please provide the following information:

- Order number or proof of purchase
- Clear photos showing the issue or damaged parts
- Product model number (as listed in this manual)

We will respond promptly with instructions for replacement parts or other solutions.

Thank you for choosing our product. Enjoy your new furniture!