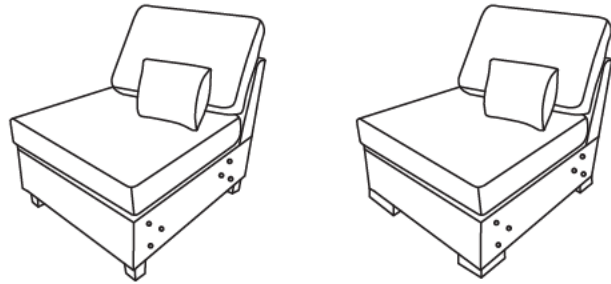


Note: You can choose different feet (High/Short style).

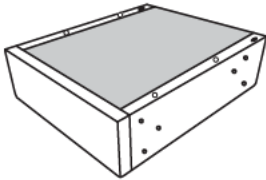
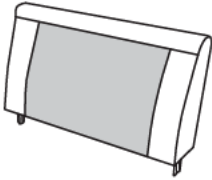
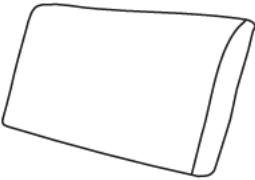
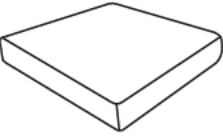



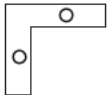



ASSEMBLY INSTRUCTION

Armless Chair(A)

You need Left/Right chair with arms then assemble two legs with arms and another two legs for seat.

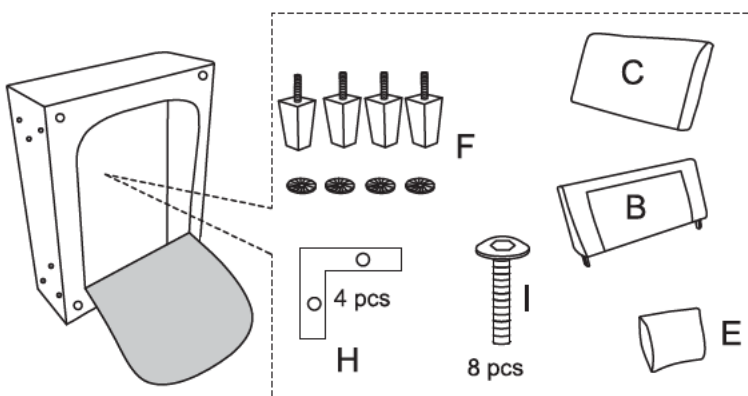


PART LIST

<p>Ax1</p>  <p>bpx</p>	<p>Bx1</p>  <p>back</p>	<p>Cx1</p>  <p>back cushion</p>	<p>Dx1</p>  <p>seat cushion</p>	<p>Ex1</p>  <p>pillow</p>	
<p>Fx4</p>  <p>high foot</p>	<p>Gx4</p>  <p>washer</p>	<p>Hx4</p>  <p>short foot</p>	<p>Ix8</p>  <p>M6x35mm bolt</p>	<p>Jx1</p>  <p>Allen Key</p>	<p>Kx2</p> 

Step 1

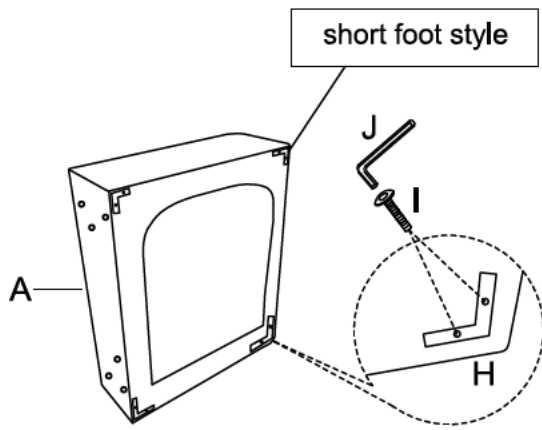
Open up Velcro of Non-Woven Fabric cover on the bottom of the seat frame to remove. B+C+E+F+H+I included.



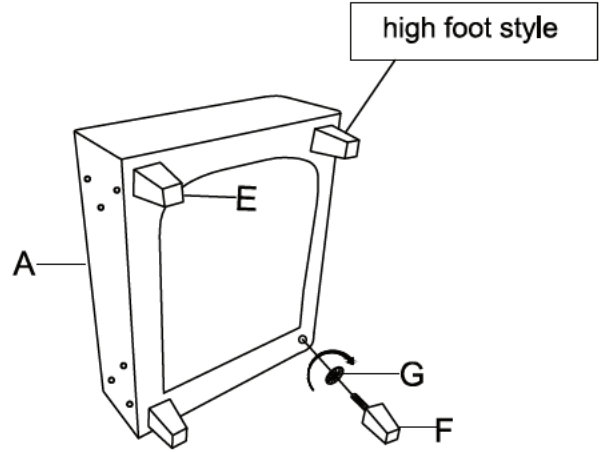
IMPORTANT

- 1, Open the fabric of box bottom and take all parts out.
- 2, You can choose High/Short feet to assemble.

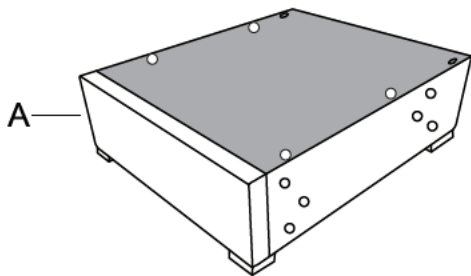
Step 2



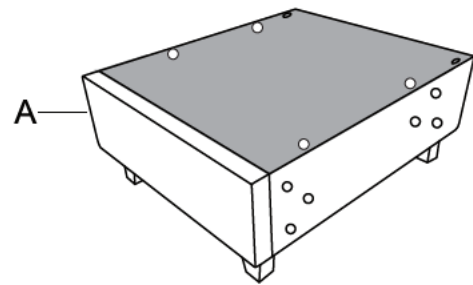
Step 2



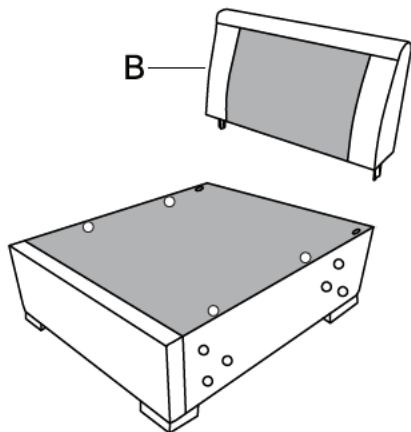
Step 3



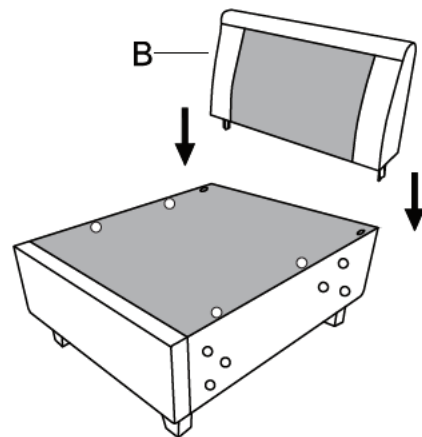
Step 3



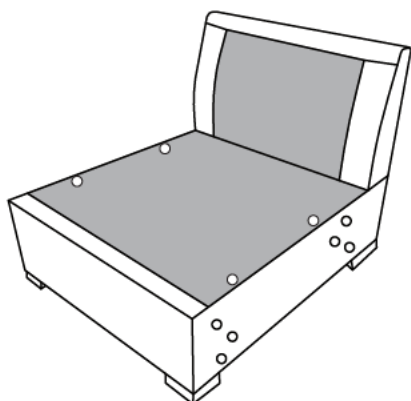
Step 4



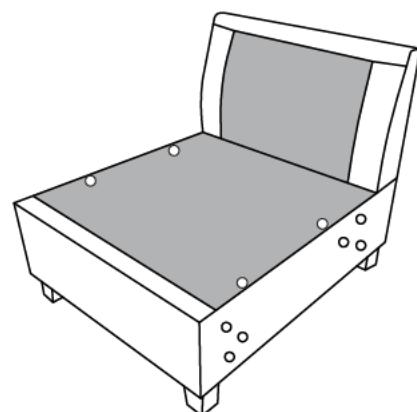
Step 4



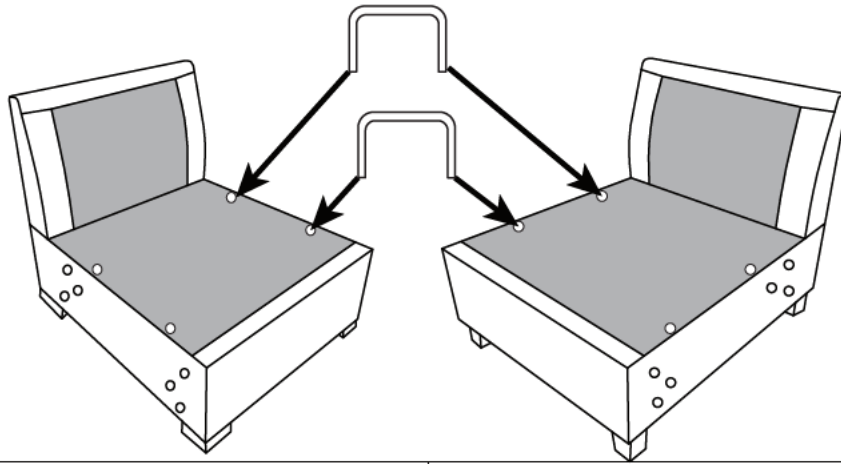
Step 5



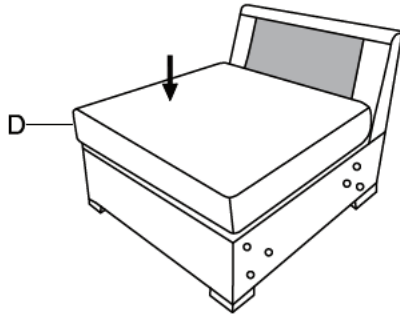
Step 5



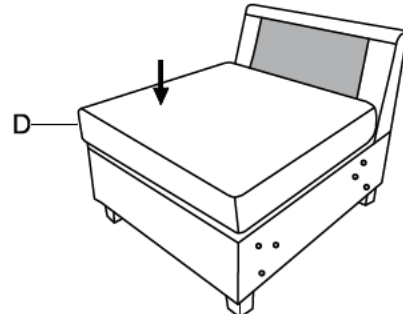
Step 6



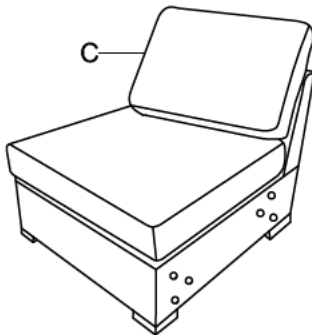
Step 7



Step 7



Step 8



Step 8

