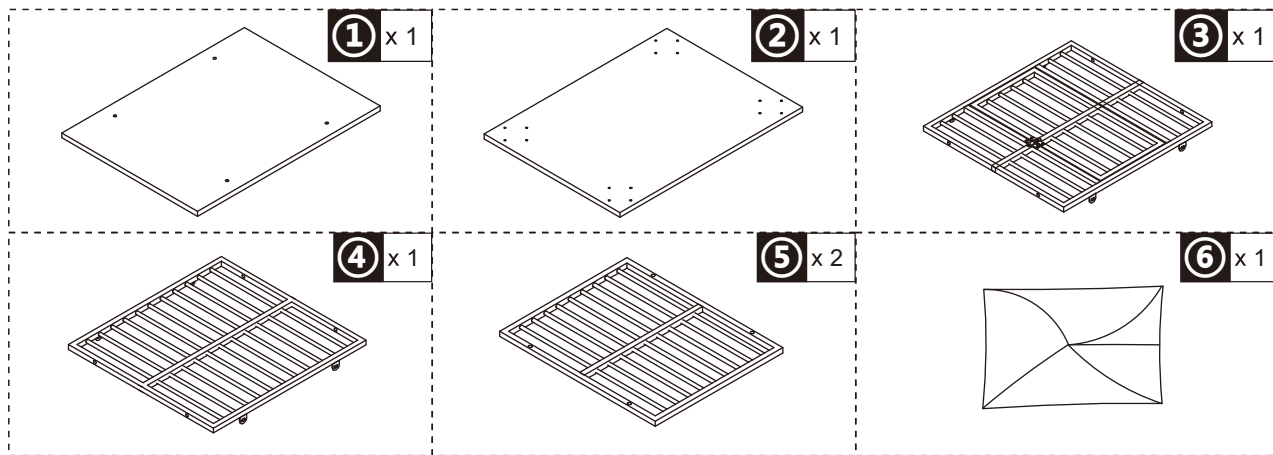


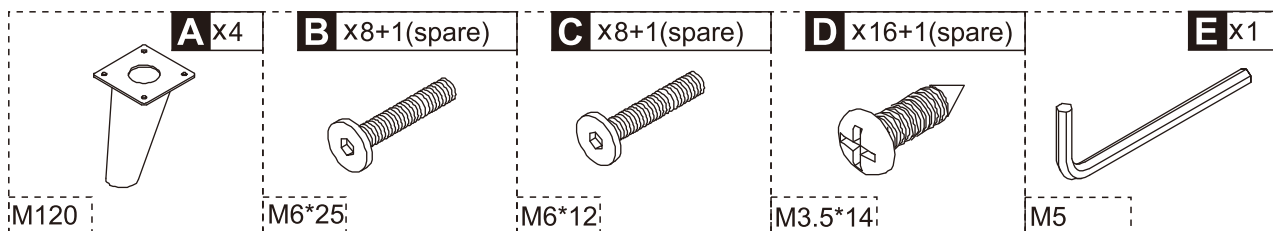
IMPORTANT, RETAIN FOR FUTURE REFERENCE: READ CAREFULLY

# ASSEMBLY & INSTRUCTION MANUAL

**PARTS**

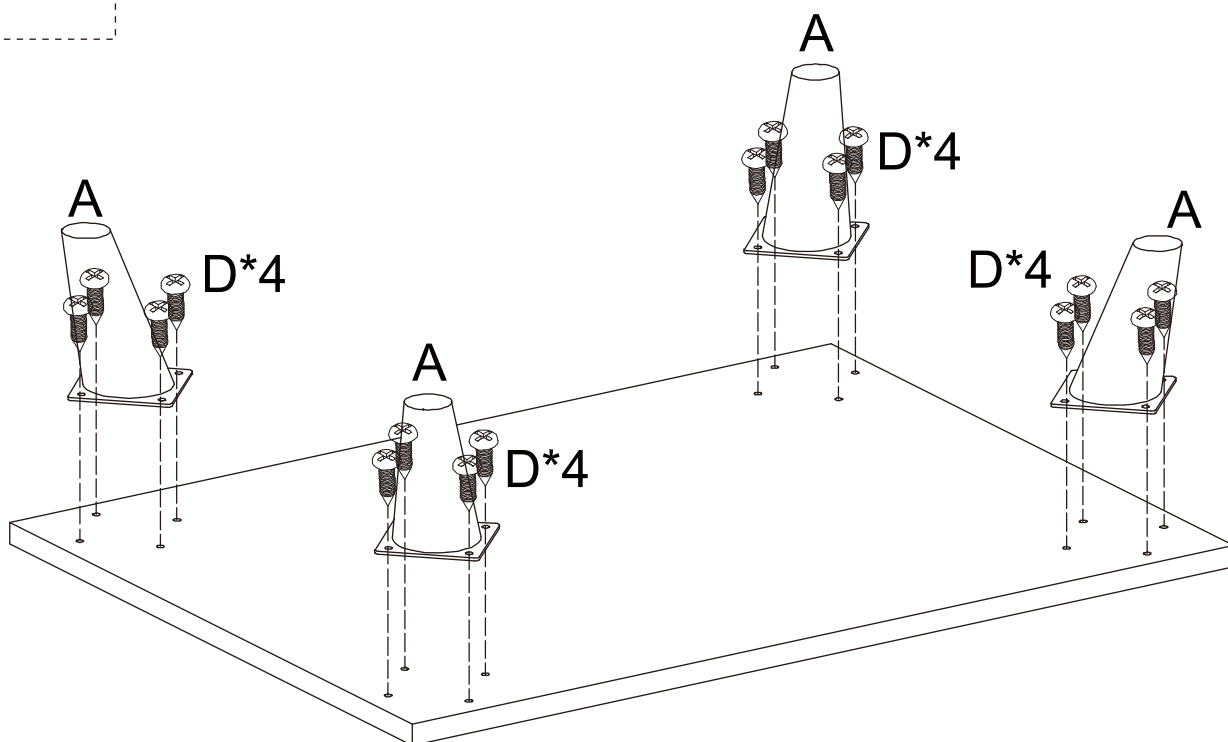


**HARDWARE**

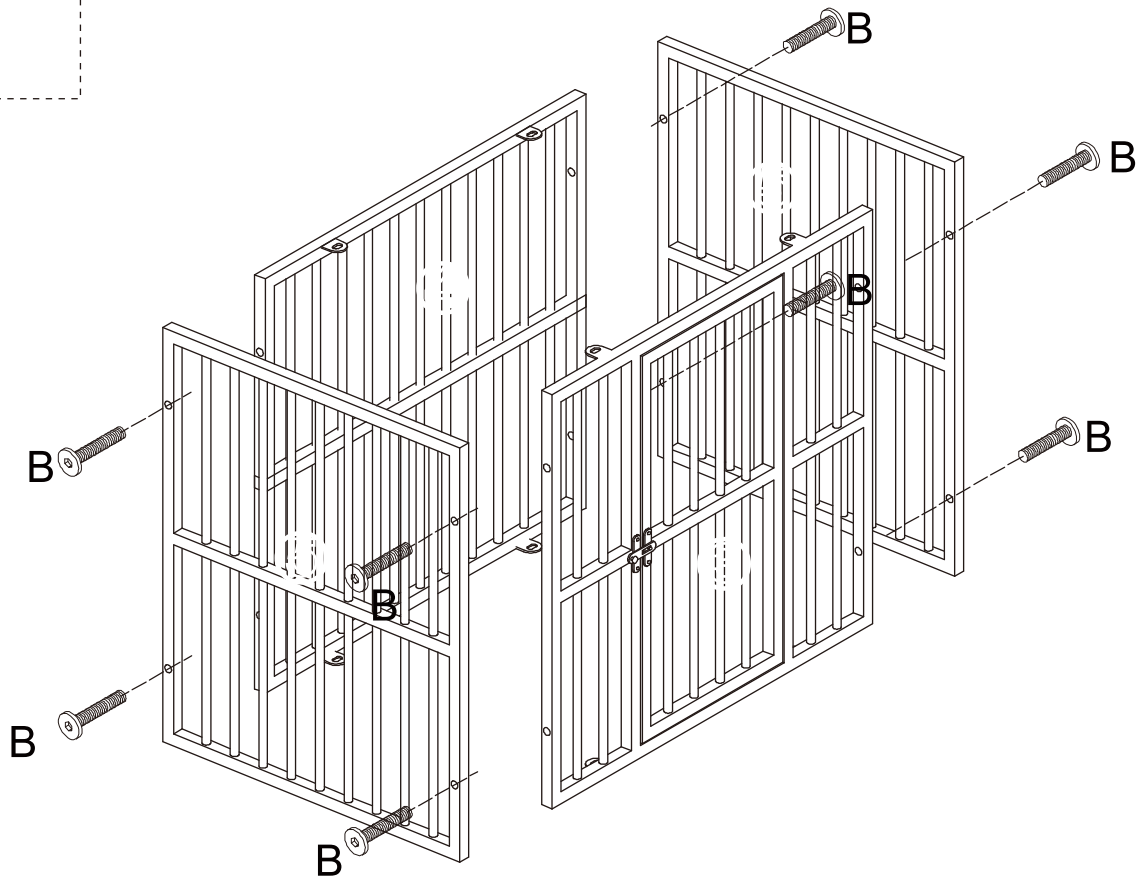


**01**

- Ax4
- Dx16



Bx8



Cx8

