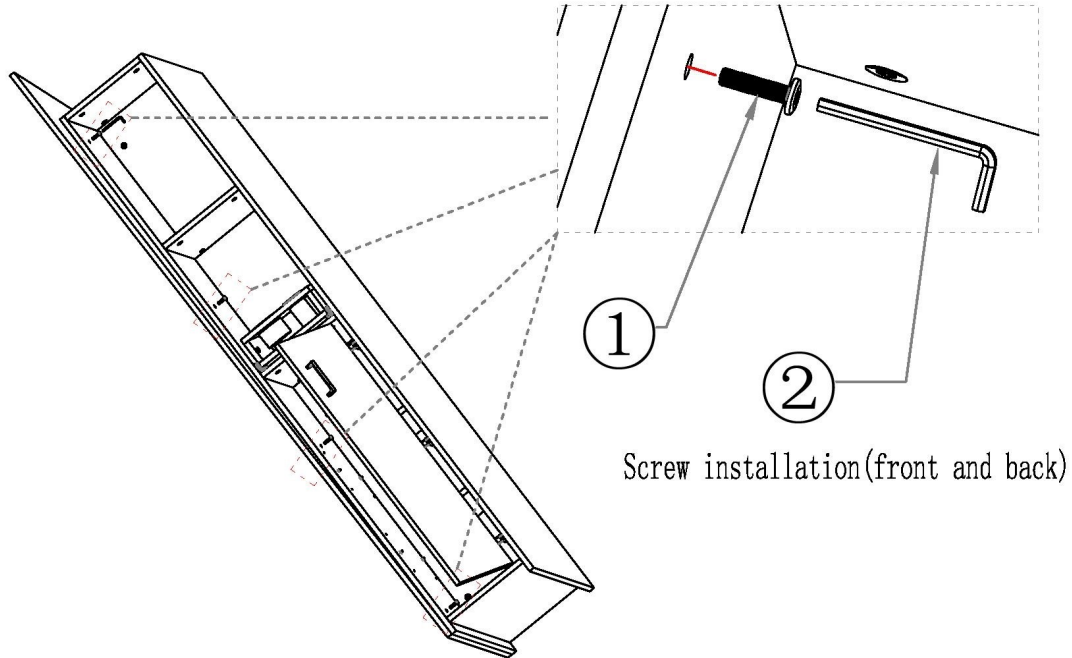
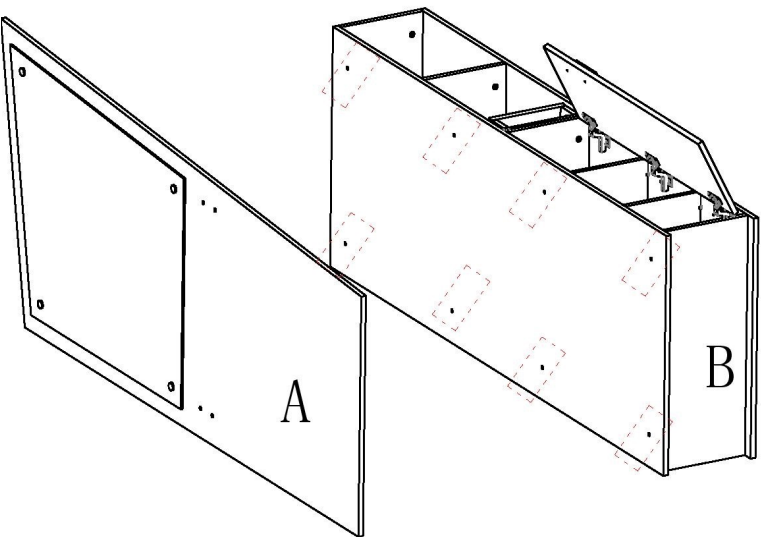
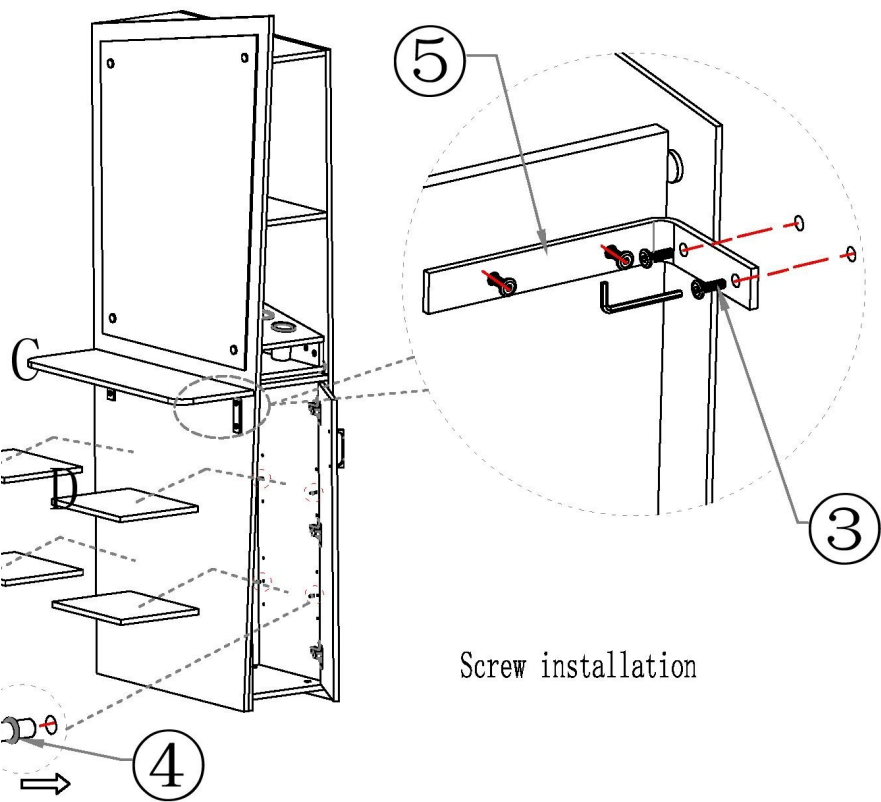


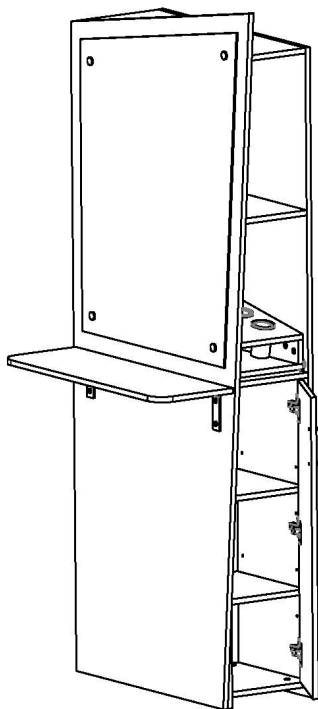
A ↔ B



Screw installation(front and back)




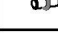



Screw installation



## Assembly Instruction ZOE Styling Station

M011 ACCESSORY:

①		SCREW M6*25	8
②		hexagonal wrench (M4)	1
③		SCREW M6*15	4
④		Platelet Granule	16
⑤		working station iron holder	2