

Clipper Wood Chrome Tripod Floor Lamp



IMPORTANT:

- Mains Voltage: 230/240V – 50Hz
- This lamp is double insulated (Class II) and does not require an earth connection.

USER ADVICE

- Keep all packaging until after a successful installation and retain instructions for future use
- The design of the lamp may vary slightly from the illustration

LOCATION:

- Indoor use only
- Ensure the lamp is in a location where the power cable will not cause an accident
- Place lamp on a level surface.

INSTALLATION:

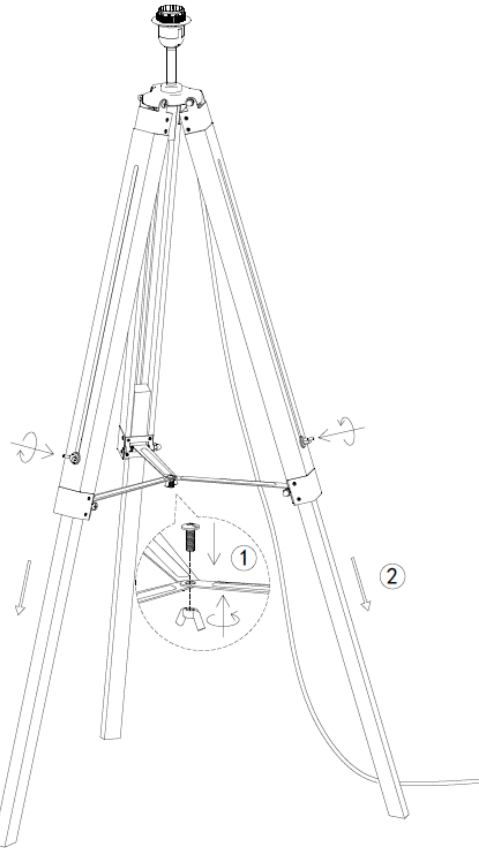
- Open the legs outwards, until the holes in the leg braces line up.
- Secure the leg braces with the bolt and wing nut supplied. (DIA.1)
- Extend the legs into the desired height and secure using the wing nuts.
- Fit the shade (not included)
- Fit the bulb into the lamp holder (Do not exceed the wattage: as stated on the lampholder)

SAFETY:

- Before inserting or replacing bulbs make sure that the light is unplugged and has cooled down.
- Always disconnect from the mains after use.
- Do not allow the bulb to contact the outer material of the shade.

- **THE EXTERNAL FLEXIBLE CABLE OR CORD OF THIS LUMINAIRE CANNOT BE REPLACED; IF THE CORD IS DAMAGED, THE LUMINAIRE SHALL BE DESTROYED.**

DIA. 1



Clipper Wood Chrome Tripod Floor Lamp



IMPORTANT:

- Mains Voltage: 230/240V – 50Hz
- This lamp is double insulated (Class II) and does not require an earth connection.

USER ADVICE

- Keep all packaging until after a successful installation and retain instructions for future use
- The design of the lamp may vary slightly from the illustration

LOCATION:

- Indoor use only
- Ensure the lamp is in a location where the power cable will not cause an accident
- Place lamp on a level surface.

INSTALLATION:

- Open the legs outwards, until the holes in the leg braces line up.
- Secure the leg braces with the bolt and wing nut supplied. (DIA.1)
- Extend the legs into the desired height and secure using the wing nuts.
- Fit the shade (not included)
- Fit the bulb into the lamp holder (Do not exceed the wattage: as stated on the lampholder)

SAFETY:

- Before inserting or replacing bulbs make sure that the light is unplugged and has cooled down.
- Always disconnect from the mains after use.
- Do not allow the bulb to contact the outer material of the shade.

- **THE EXTERNAL FLEXIBLE CABLE OR CORD OF THIS LUMINAIRE CANNOT BE REPLACED; IF THE CORD IS DAMAGED, THE LUMINAIRE SHALL BE DESTROYED.**

DIA. 1

