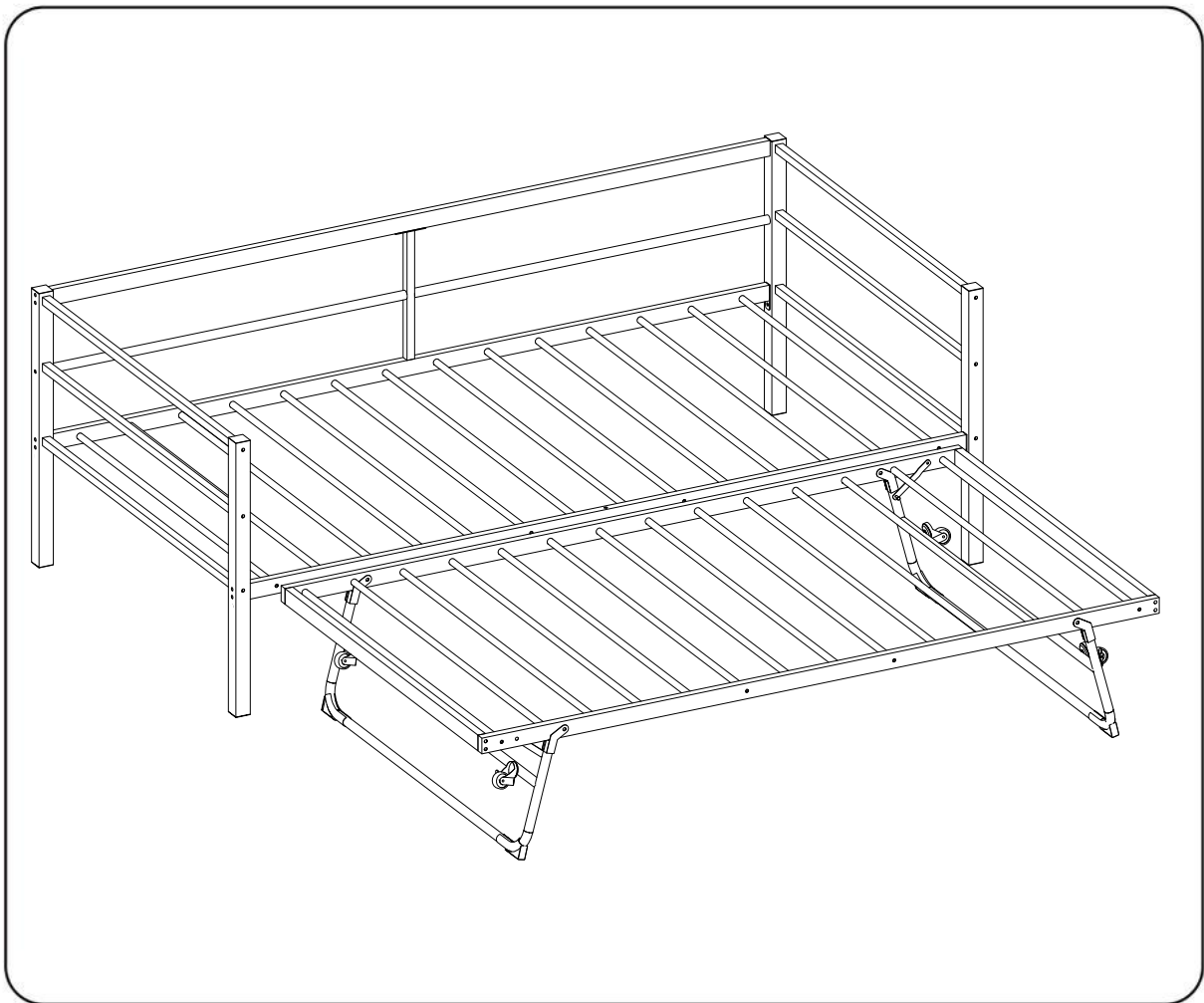




Daybed



Thank you for your purchase.
Please contact us if you have difficulty with assembly or need replacement parts.
VINGLI Customer Service is here to assist you.
Email: support@vingli.com
Please attach your User Name or Order ID so that we can assist you better.

Introduction

Guide of Manual

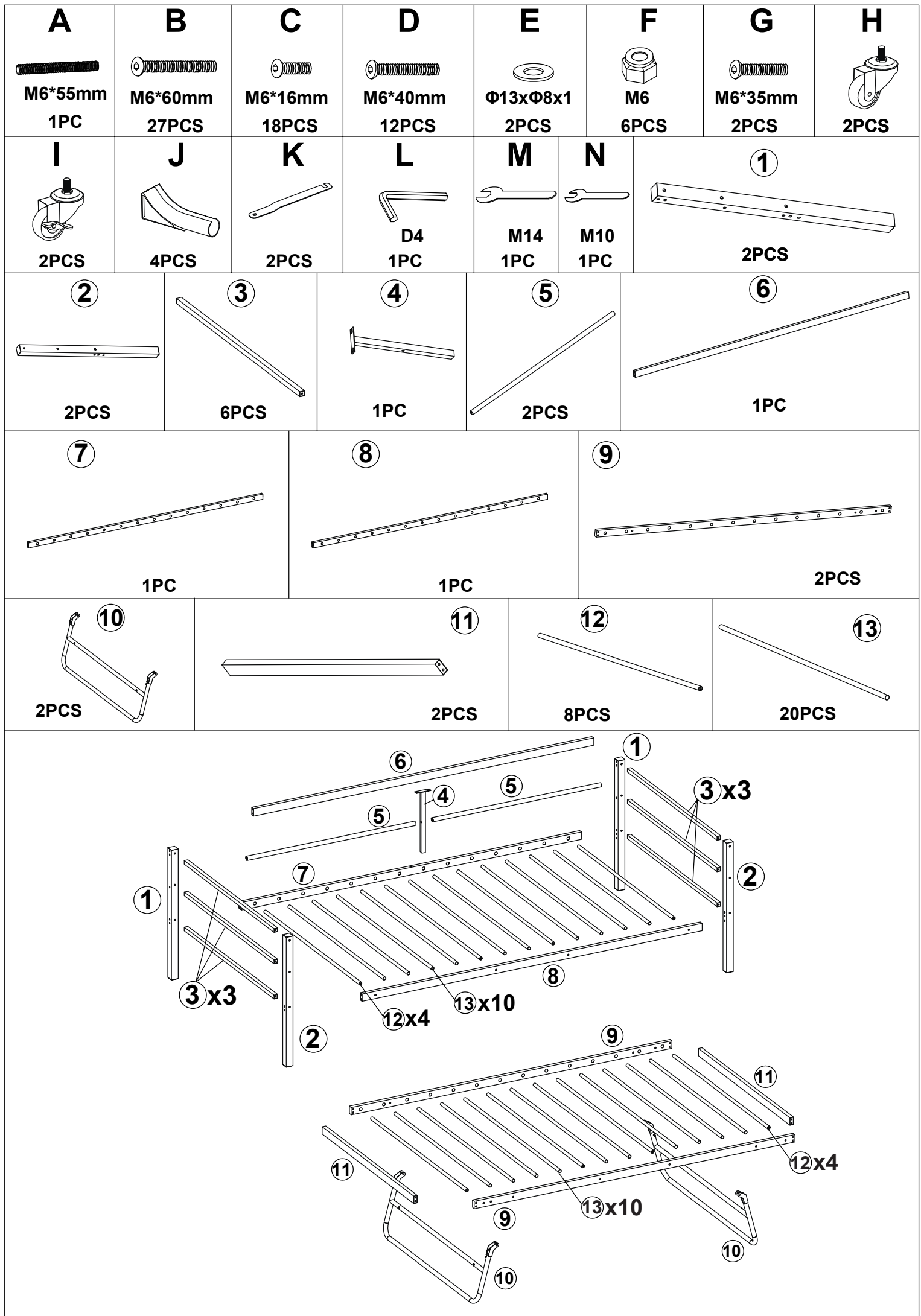
- Please read the following instruction carefully and use the product properly.
- Please keep this manual and hand it over when you transfer the product.
- Please contact us when further information and help needed.

Notes

- Make sure to start on the correct instruction page for the bed configuration you are assembling.
- Unpack parts and hardware carefully to prevent scratching of lacquered components.
- Please assemble the product according to the steps on the diagram strictly.
- Do not fully tighten the screws until all pieces are situated in place.
- For continued use, it's suggested you regularly check the tightness of bolts and connections to ensure safety.
- Do not assemble and disassemble the product repeatedly to avoid damaged.
- To avoid confusion keep all parts and hardware together with the boxes that they came in; some bed configurations require multiple boxes.

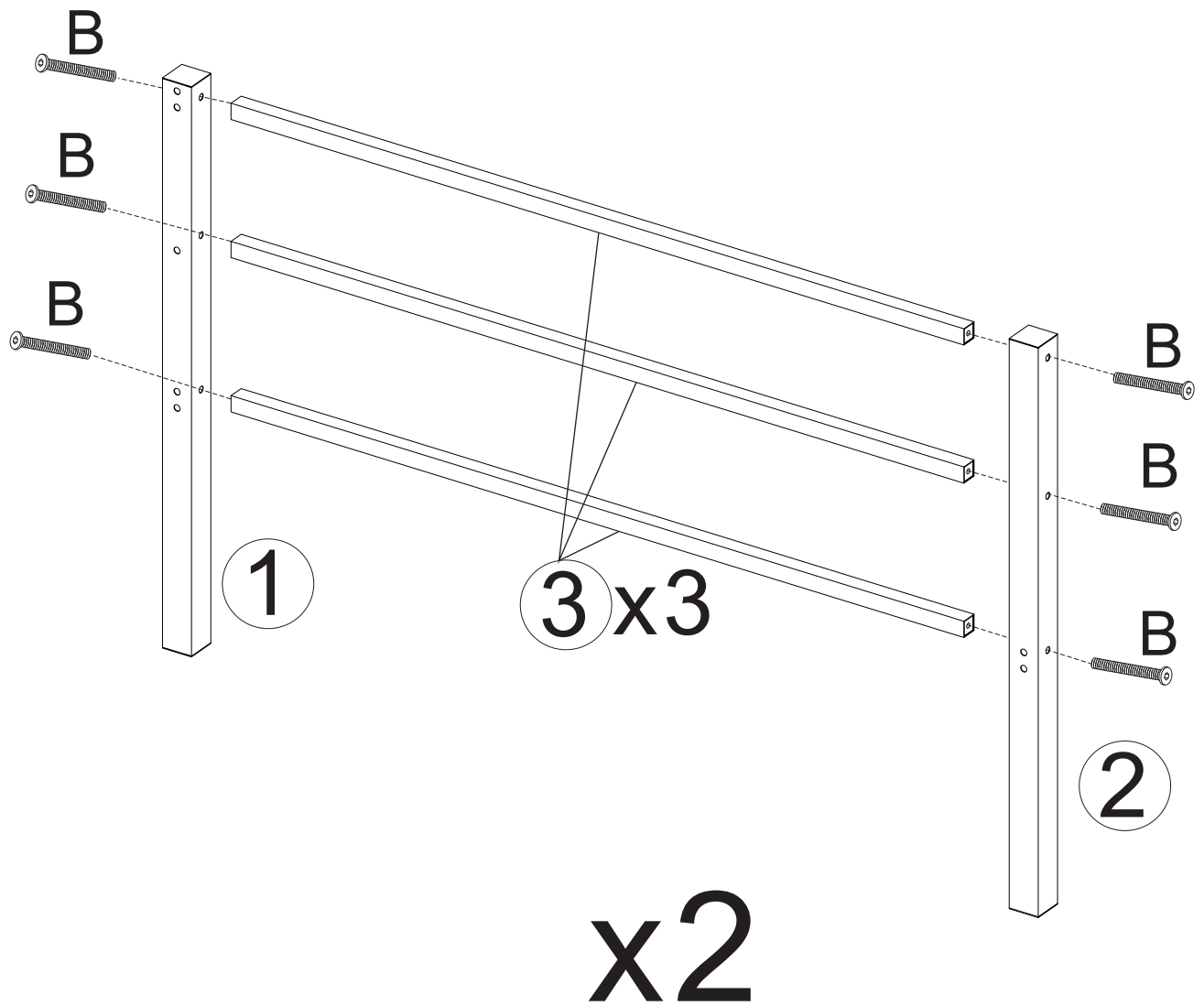
SAFETY WARNING:

1. Follow the information on the warnings appearing on the upper bunk end structure and on the carton. Do not remove warning label from bed.
2. Always use the recommended size mattress or mat tress support, or both, to help prevent the likelihood of entrapment or falls.
3. Surface of mattress must be at least 5 in. (127 mm) below the upper edge of guardrails.
4. Do not allow children under 6 years of age to use the upper bunk.
5. Periodically check and ensure that the guardrail, ladder, and other components are in their proper position, free from damage, and that all connectors are tight.
6. Do not allow horseplay on or under the bed and prohibit jumping on the bed.
7. Always use the ladder for entering and leaving the upper bunk.
8. Do not use substitute parts. Contact the manufacturer or dealer for replacement parts.
9. Use of a night light may provide added safety precaution for a child using the upper bunk.
10. Always use guardrails on both long sides of the upper bunk. If the bunk bed will be placed next to the wall, the guardrail that runs the full length of the bed should be placed against the wall to prevent entrapment between the bed and wall.
11. The use of water or sleep flotation mattresses is prohibited.
12. Keep these instructions for future reference.

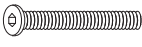



Assembly Steps

STEP 1 Assemble Side Guardrail

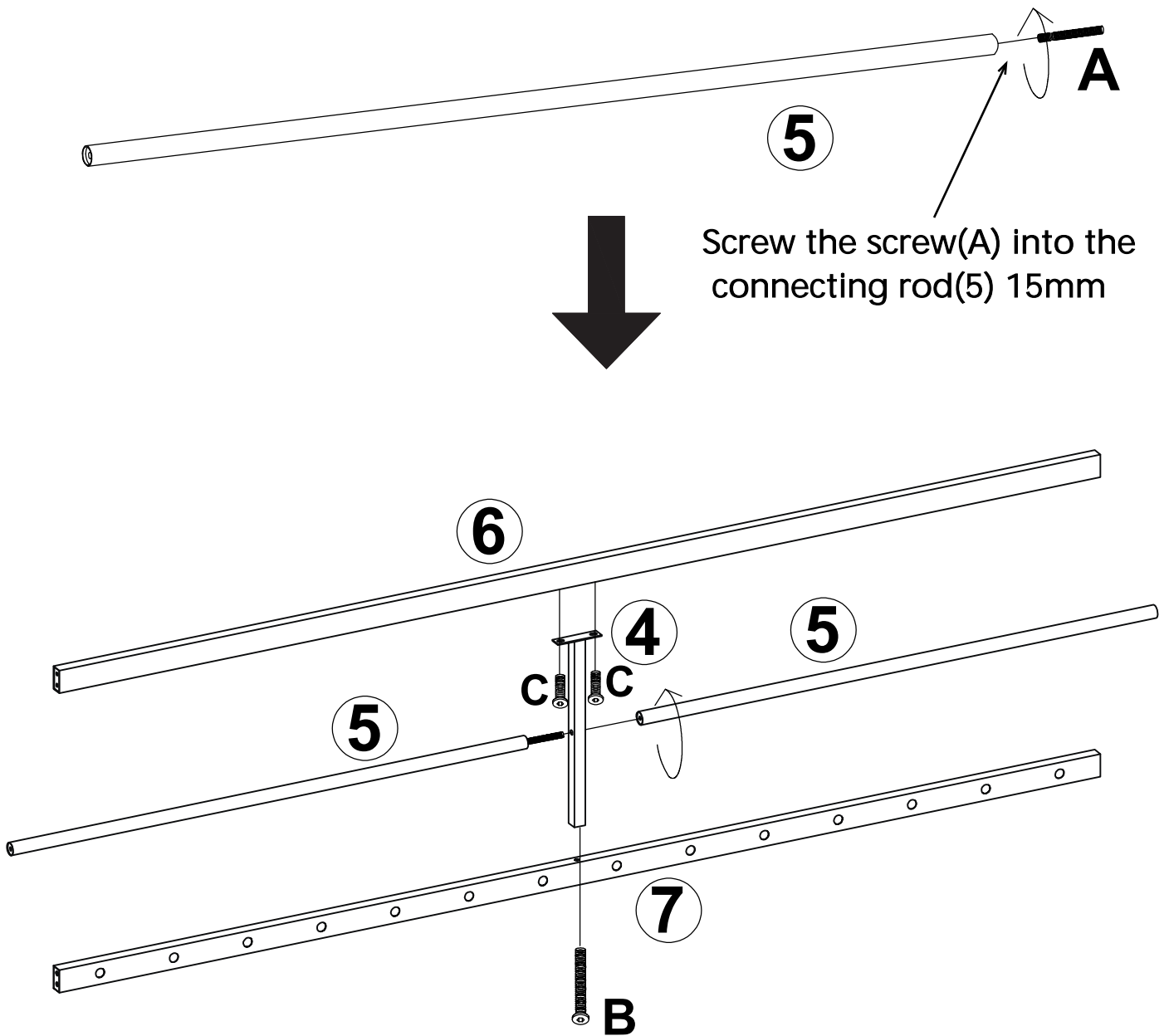


Use Screw B to connect
Leg 1 & 2 with Rail Rod 3
Repeat same step for the
other side guardrail

CODE	HARDWARE	QTY
B	 M6x60mm	12
L	 D4	1

Assembly Steps





STEP 2 Assemble Back Guardrail



Screw the screw(A) into the connecting rod(5) 15mm

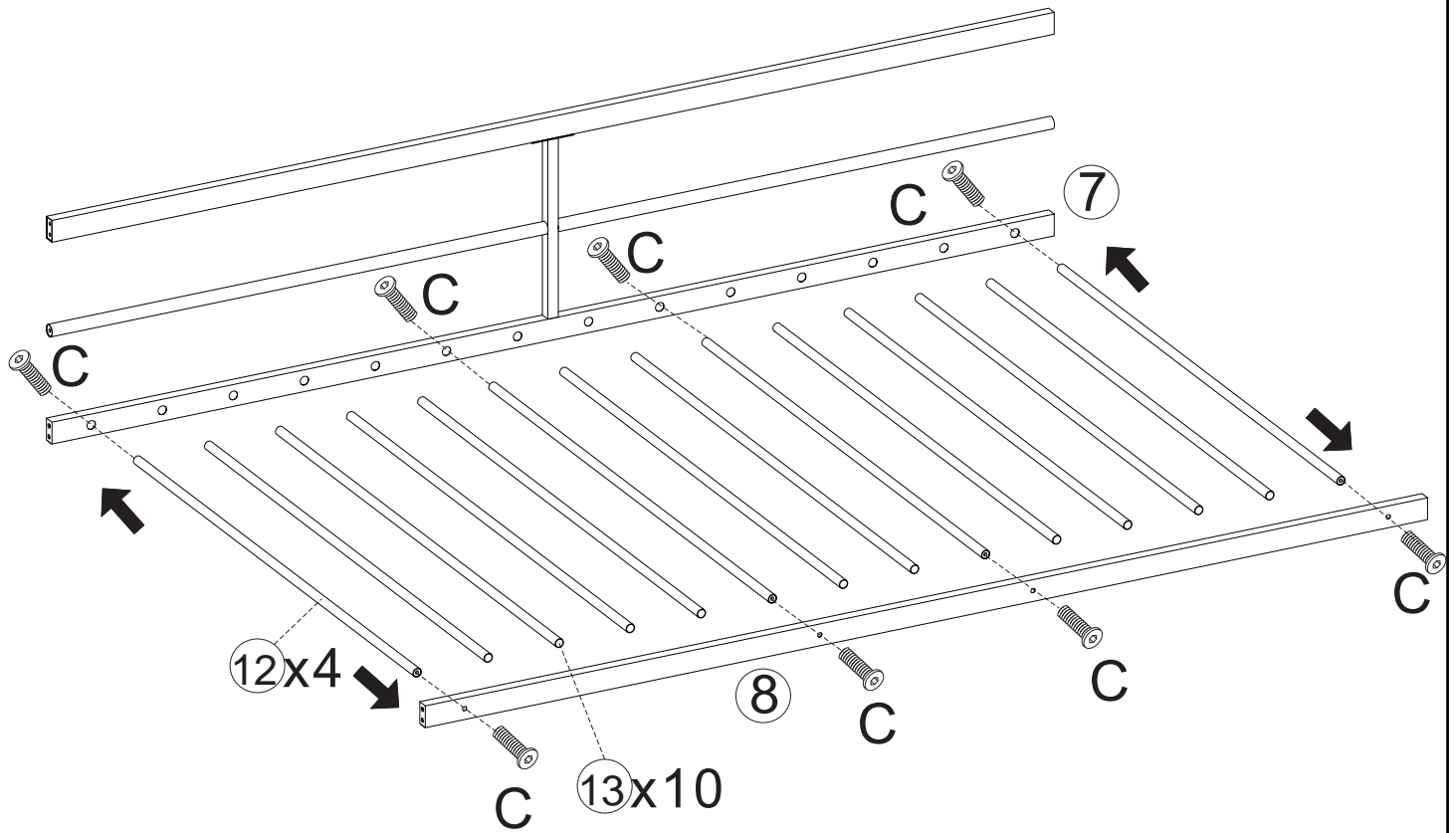
a. Connecting Center Rod 4 with Top Rail Rod 6 via Screw C, and then using Screw B to connect Bottom Rail 7 with Center Rod 4;

b. Screw the short end of Threaded Rod A with Middle Rail 5, and then put the long side of Threaded Rod A through Center Rod 4 and connecting with another Middle Rail 5

CODE	HARDWARE		QTY
A		M6x55mm	1
B		M6x60mm	1
C		M6x16mm	2
L		D4	1

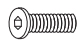

Assembly Steps

STEP 3 Assemble Bed Slat



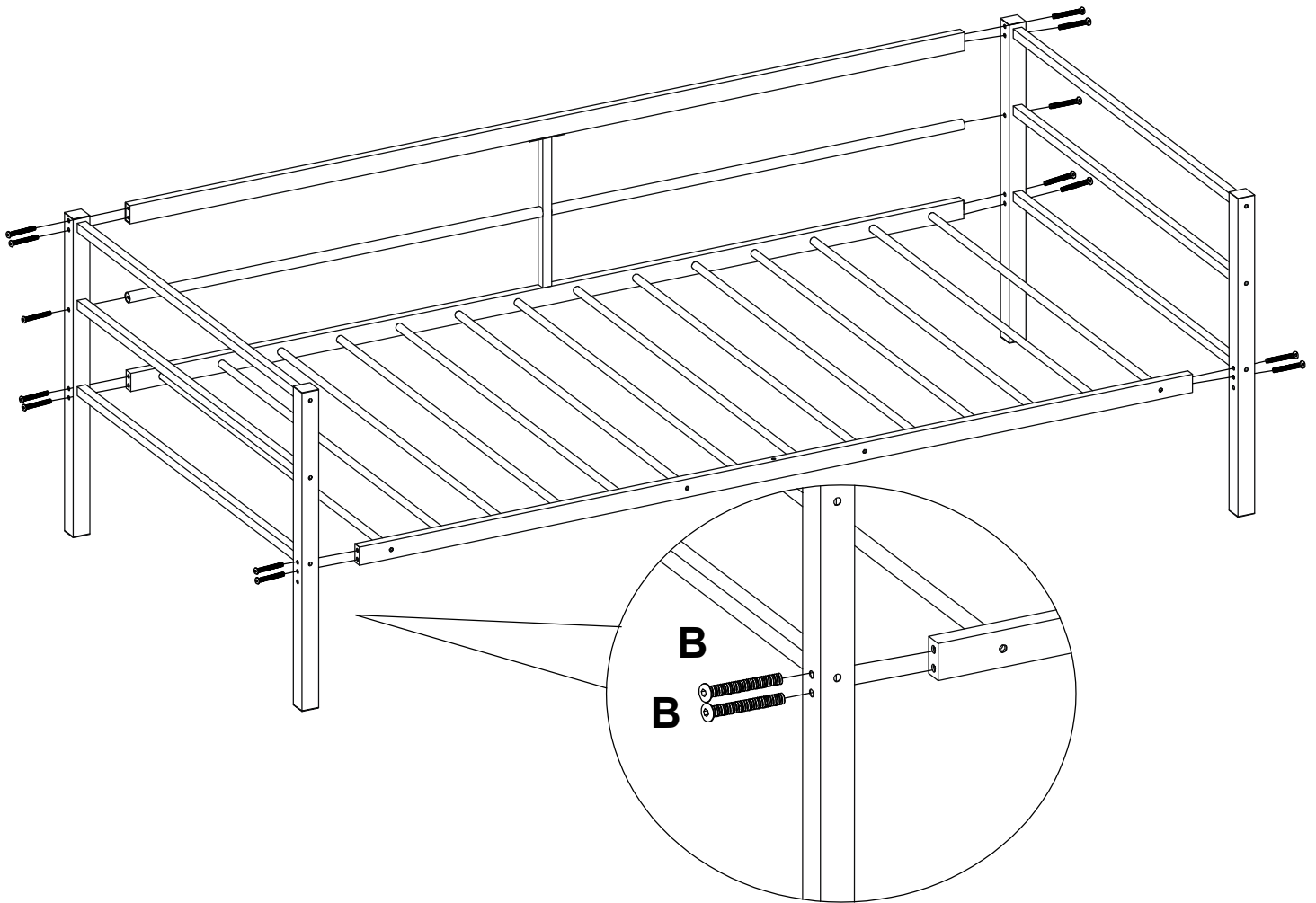
a. Using C to tight Slat 13 with assembled back guardrail, and insert Slat 14 into each hole;

b. Put on the other Bar 7, make sure each bed slat is inserted into the corresponding hole, and then tight the Slat 13 via Screw C



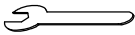
CODE	HARDWARE	QTY
C	 M6x16mm	8
L	 D4	1

Assembly Steps

STEP 4 Assemble Side Guardrail with Bed

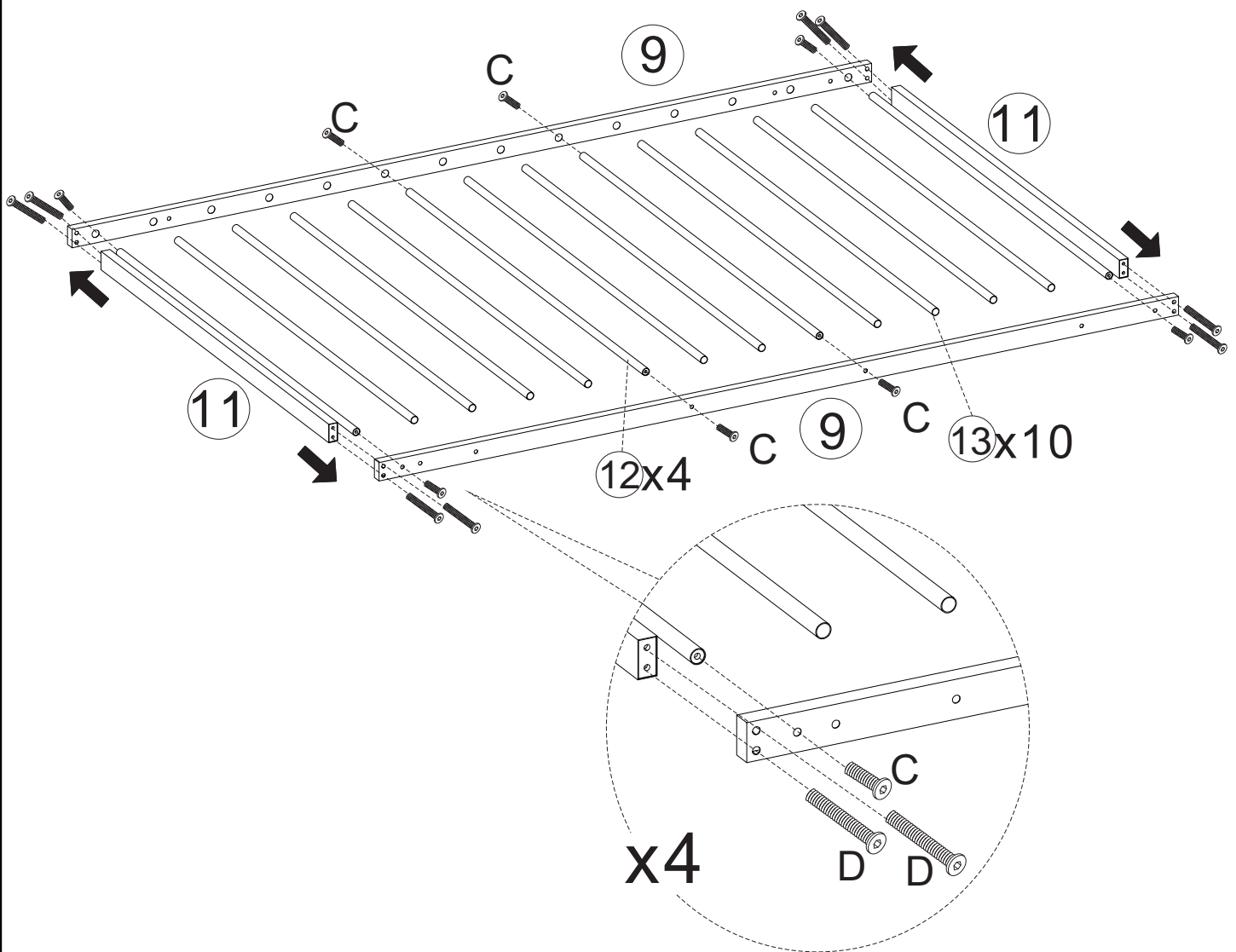


Using Screw B,O and nut F to connect Side Guardrail with assembled bed frame
Tips: Screw O only using on the bottom hole of each Leg and tight by Nut F

CODE	HARDWARE	QTY
B	 M6x60mm	14
L	 D4	1
N	 M10	1




Assembly Steps

STEP 5 Assemble Trundle Bed Base



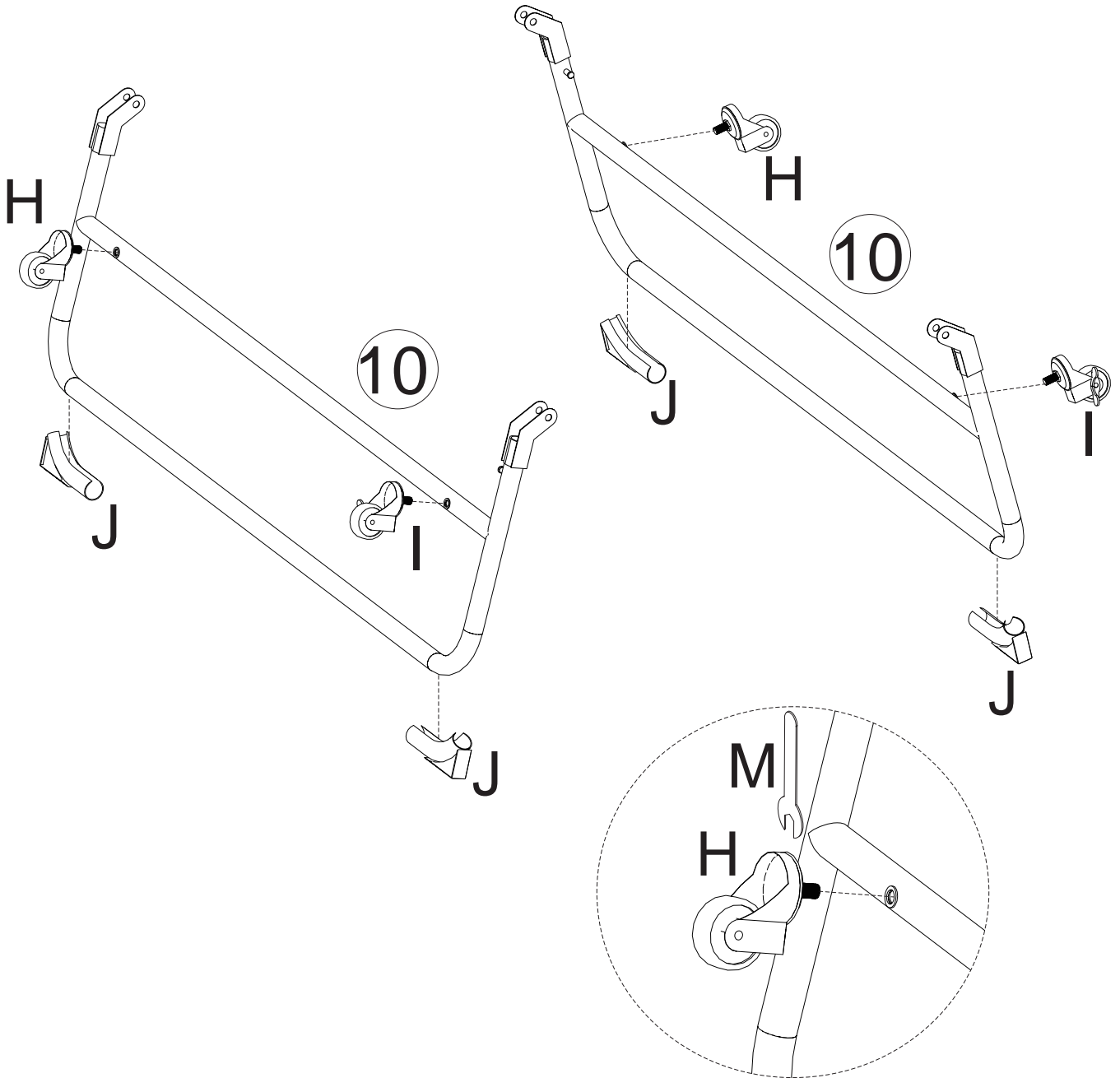
a. Using C to tight Slat 13 with rail 8, and insert Slat 14 into each hole;

b. Put on the other Rail 10, make sure each bed slat is inserted into the corresponding hole, and then tight the Slat 13 via Screw C





CODE	HARDWARE	QTY
C	 M6x16mm	8
D	 M6x40mm	8
L	 D4	1

Assembly Steps

STEP 6 Assemble Trundle Leg

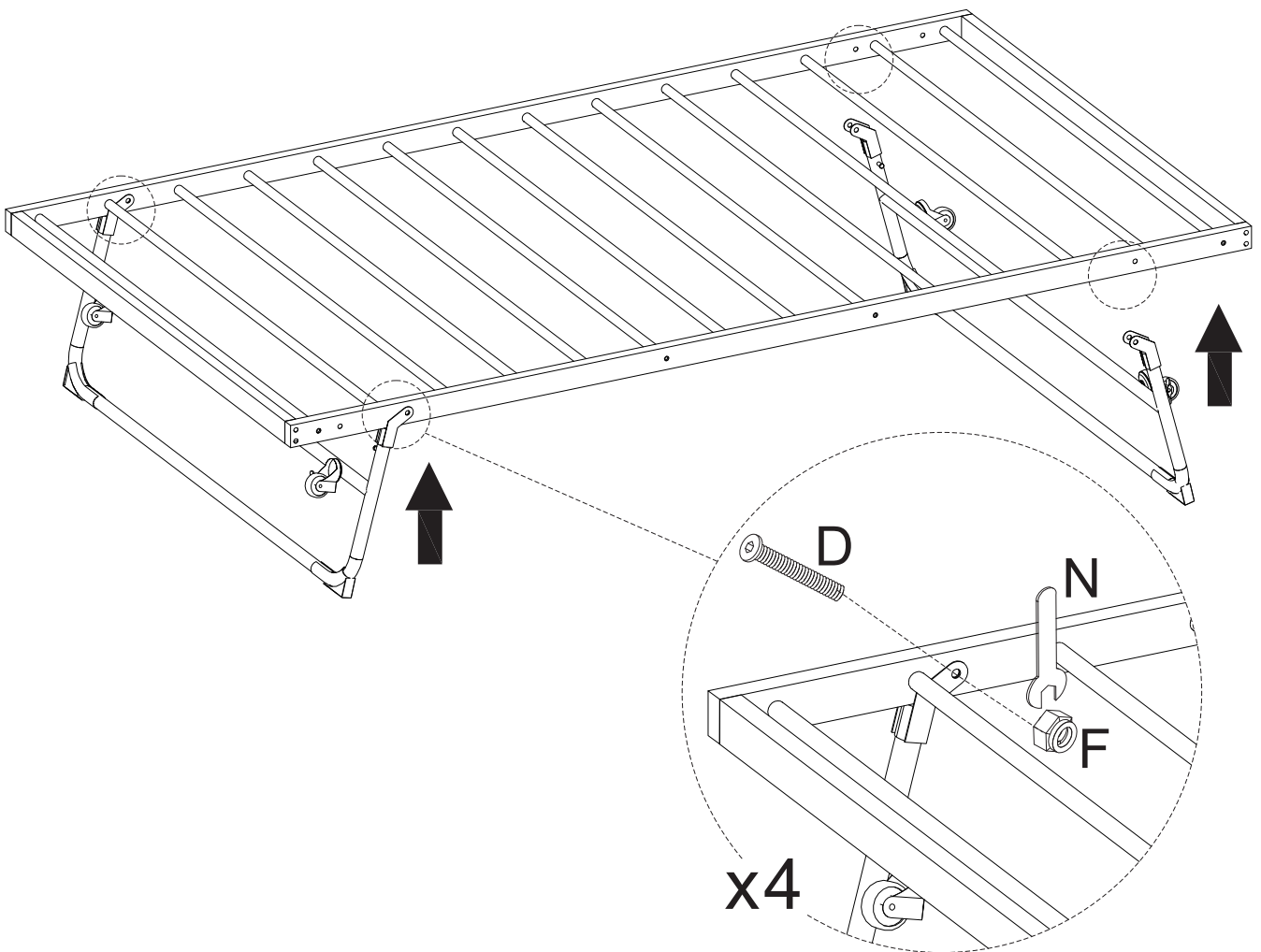


Put on the wheels H on the Leg 9, and Put on protect pad J on the bottom of Leg



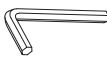
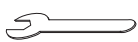
CODE	HARDWARE	QTY
H		2
I		2
J		4
M	 M14	1

Assembly Steps

STEP 7 Assemble Trundle Bed

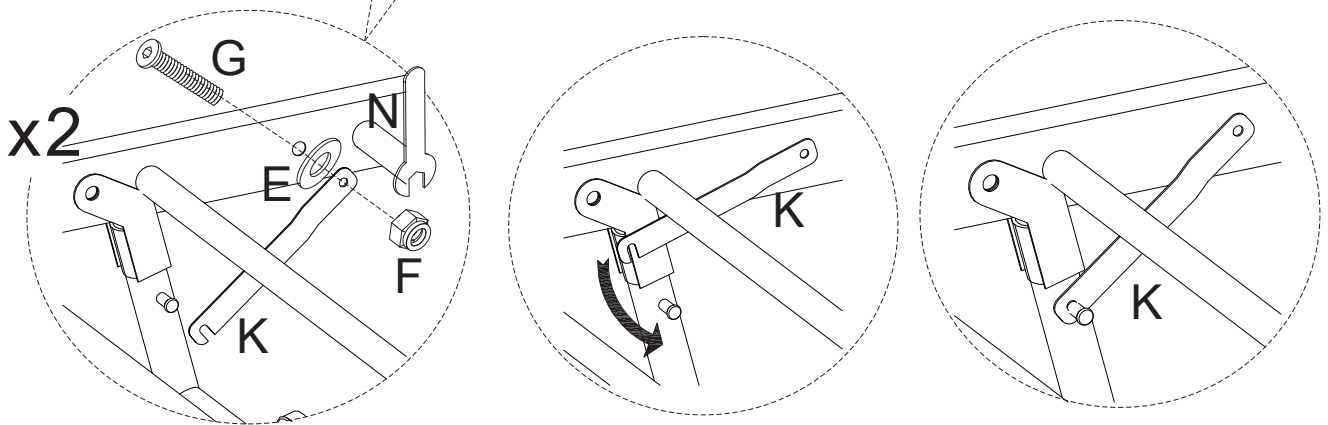
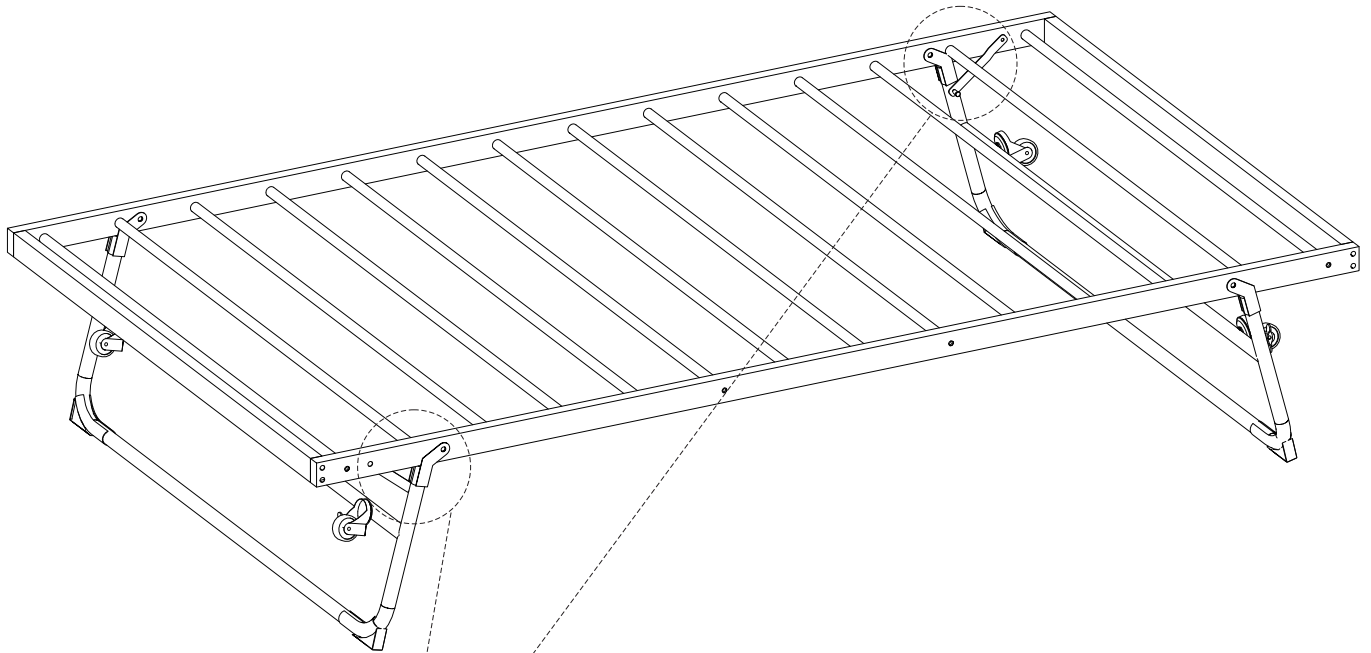


Put on the Leg via Screw D and tight by nut F







CODE	HARDWARE	QTY
D	 M6x40mm	4
F	 M6	4
L	 D4	1
N	 M10	1

Assembly Steps

STEP 8 Assemble Trundle Bed



Insert the Washer E on the Screw G, Put Screw G through Rail 8 from the outside and then put on connector K and tight by Nut F

CODE	HARDWARE		QTY
G		M6x35mm	2
E			2
F		M6	2
K			2
L		D4	1
N		M10	1

Assembly Steps

STEP 9

