



QUARTZ DINNING TABLE 79x79

By Ramon Esteve

The Quartz collection is characterized by its orthogonal geometry and triangular shaped profiles. Due to the line of one of its vertexes this piece appears extremely light. Inspired by the Quartz Stone and its properties such as its hardness and strength, in addition to the distinctive finish of its shapes.

Our chairs have clean cut lines and geometric lightness that blend totally in any environment. Primarily, the Quartz collection stands out for its quest for neutrality and its timeless design.

View online: <https://www.vondom.com/us/products/54205>



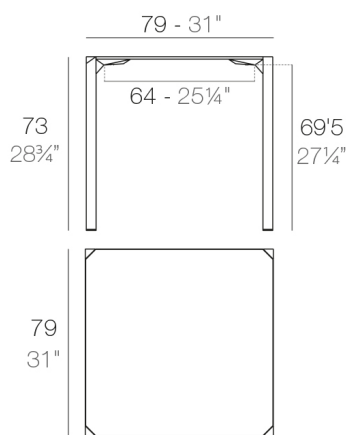
Features

Description

Made of gas air moulding injected polyamide with fiber glass for legs and HPL table tops. Stackable. Available in 3 colors. Item suitable for indoor and outdoor use.

Weight

6.4 Kg



QUARTZ Mesa 79 x 79
QUARTZ Table 31" x 31"

Finishes

BASIC PP

Ref. 54205

Available in various colors

COLOR

WHITE
BLACK
ECRU

BASIC INJECCION PP

