

# OKELI<sup>®</sup>

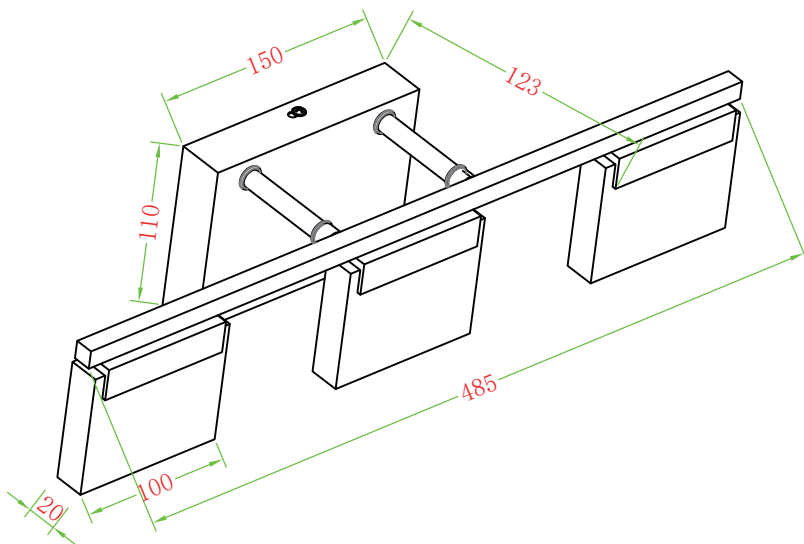
LIGHTING

## Installation Instruction Sheet

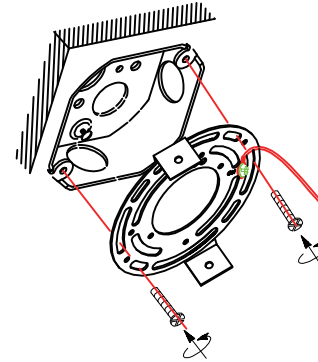
LED Vanity Lighting Fixtures

### Product Description

Input	AC120V-277V
Power	12W
Power Factor	0.9
CCT	6000K
Luminous Flux	1080LM
CRI	80
Beam Angle	120°
Materials	Iron+Zinc alloy+Iron
Dimension(mm)	485*123*120 (mm)

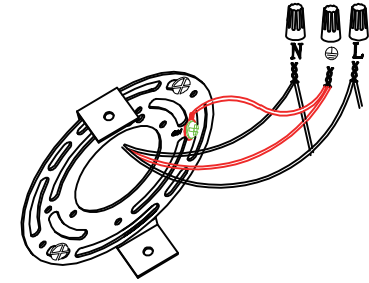


### Installation Diagram



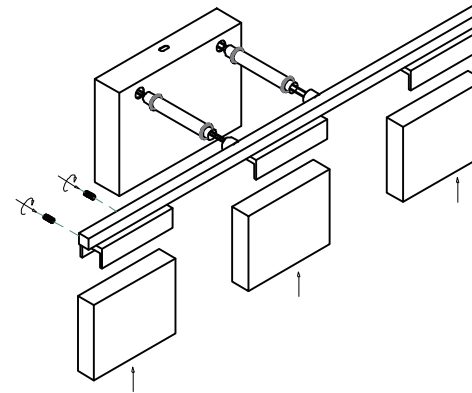
Step 1: Install the ring mounting bracket with the screws.

A



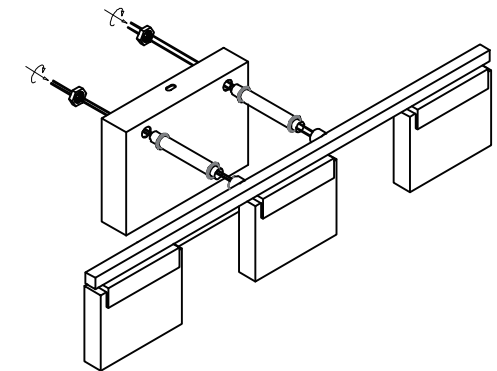
Step 2: Connecting to AC power, pay attention side of N, L & to earth should be correct.

B



Step 3: Install the lamp on the mounting bracket and fix it with supplied screws.

C



Step 4: Finished installation.

D