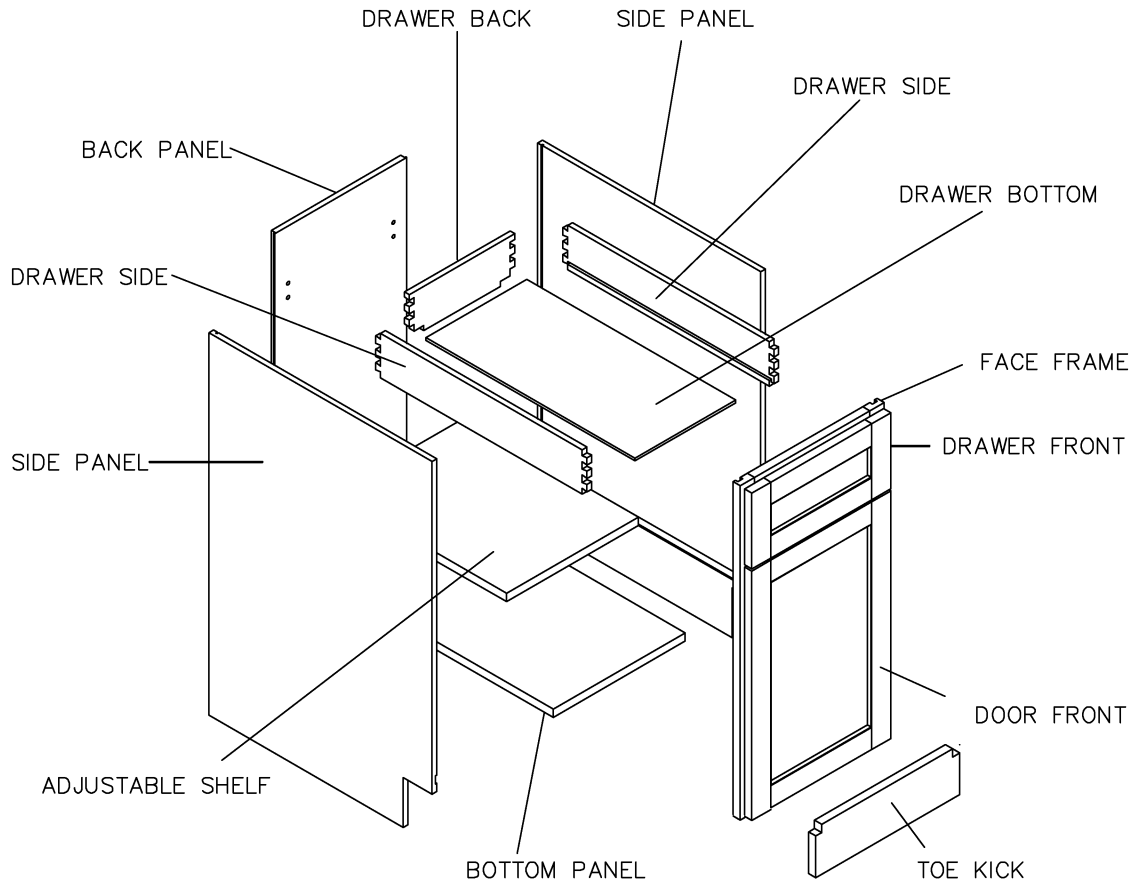
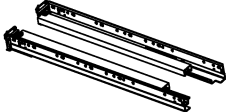
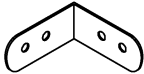
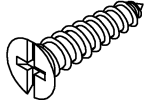

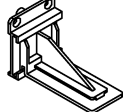
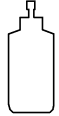



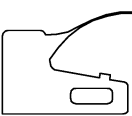


# ASSEMBLY INSTRUCTIONS - BASE CABINET



GLIDES 	METAL BRACKETS 	SCREWS 	SHELF CLIPS 	GLIDE SUPPORTS 
---	---	---	--	---

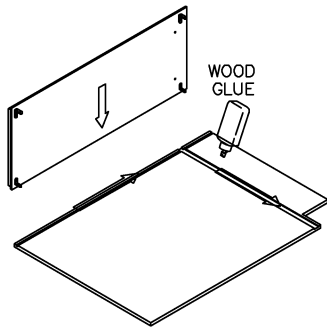
**TOOLS**

 WOOD GLUE	 SCREW DRIVER	 RUBBER MALLET	 NAIL GUN	 STAPLER
--	---	--	---	---

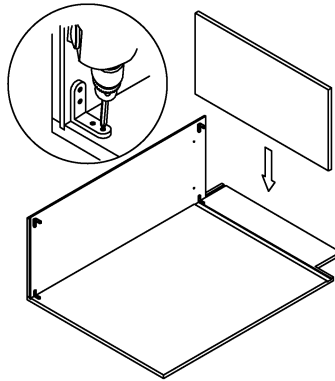
This instruction applies to the following items:  
 B09, B12, B15, B18, B21, B24,  
 B27, B30, B33, B36, B39, B42

STEP 1

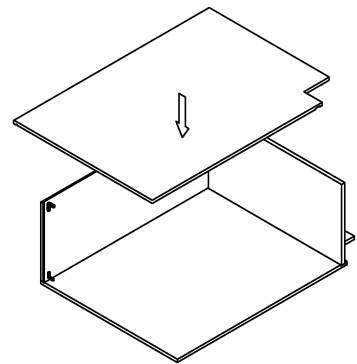
Glue each assembly slot



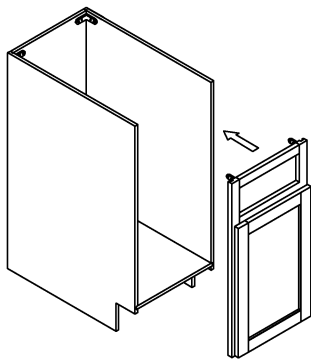
STEP 2



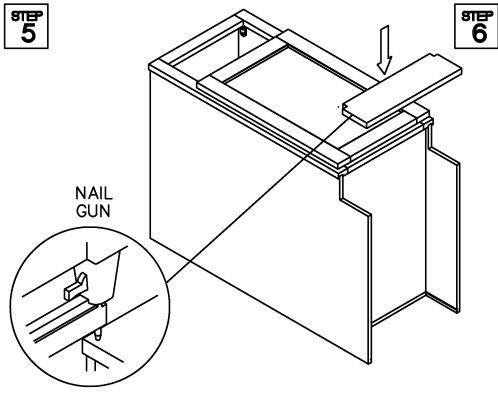
STEP 3



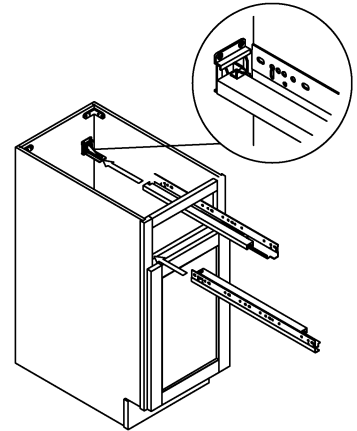
STEP 4



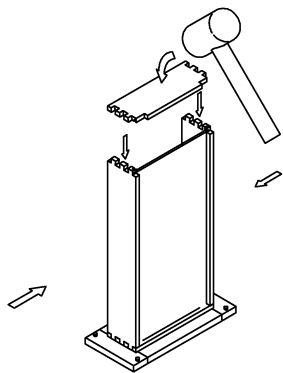
STEP 5



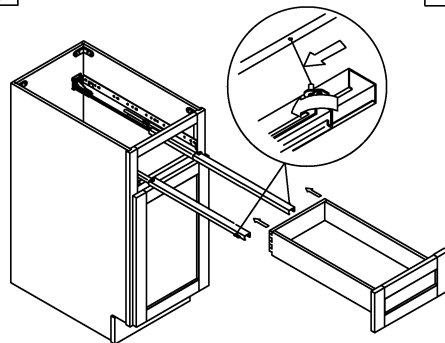
STEP 6



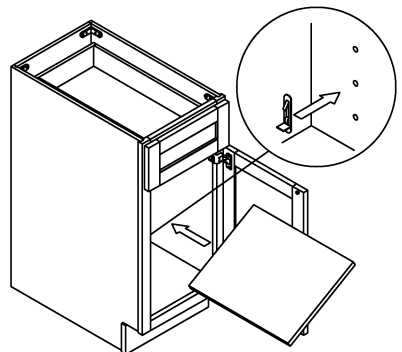
STEP 7



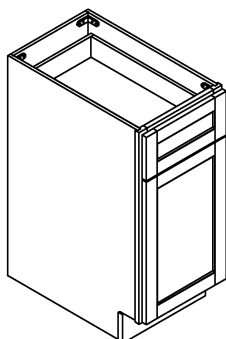
STEP 8



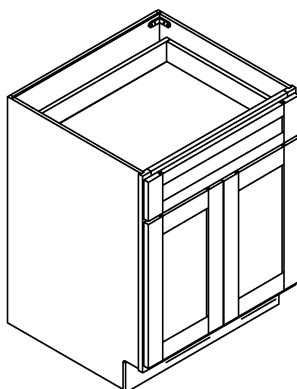
STEP 9



STEP 10



STEP 11



STEP 12

