

CHEST OF DRAWERS





FOR REPLACEMENT PARTS OR HELP WITH
ASSEMBLY PLEASE CONTACT US
PLEASE ENSURE TO HAVE THE MODEL #
FROM THE PACKAGING OR INSTRUCTION BOOKLET

TO RETURN THE PRODUCT:
PLEASE CONTACT THE RETAILER
WHERE THE ITEM WAS PURCHASED FROM

IMPORTANT : Please read this manual carefully before beginning assembly of this product. Keep this manual for future reference.

SAFETY INFORMATION

CAUTION: Injuries and damage can occur from furniture tip over if product is not properly anchored to the wall. Use the Furniture Anti-Tipping Restraint provided with the product. Consult our assembly instructions for help. If the Furniture Anti-Tipping Restraint kit is not in the box, please contact our customer service department in order to obtain another kit before using the furniture.

Identify all the parts and hardware. Do not discard of the packaging until you have checked that you have all of the parts and hardware required. Hardware package may have spare parts.

WARNING: This item contains small parts which can be swallowed by children and pets. Keep children and pets away during assembly. To avoid danger of suffocation, always keep plastic bags away from children and pets. We recommend that you assemble this unit on a carpeted floor to avoid scratches. If using power tools, set the tool to low torque to avoid damage.

May require 2 people for ease of assembly.

CARE and MAINTENANCE

To clean, use a soft or slightly damp cloth, then wipe with a clean, dry cloth. Dust with soft dry cloth.

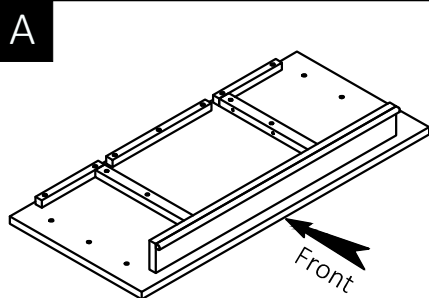
Do not use ammonia-based cleaning products, as they will damage the finish. Do not leave liquids or damp cloths on this furniture.

To avoid dulling of the finish, do not place furniture in direct sunlight.

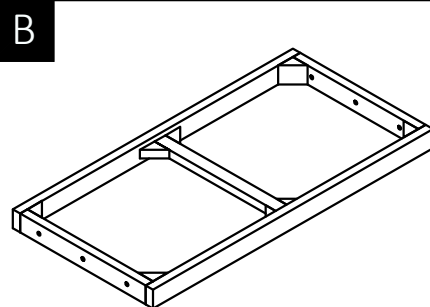
Please inspect and tighten all screws or bolts on a regular basis to ensure proper performance and safety of your item.

PRE-ASSEMBLY INFORMATION

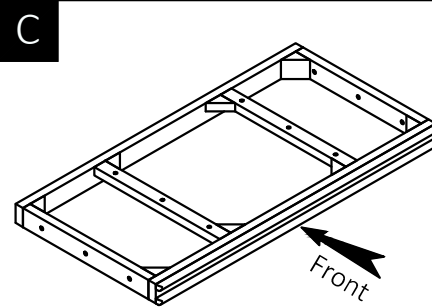
PART DESCRIPTION



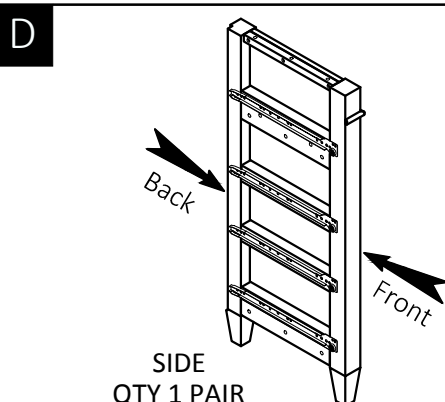
TOP
QTY 1



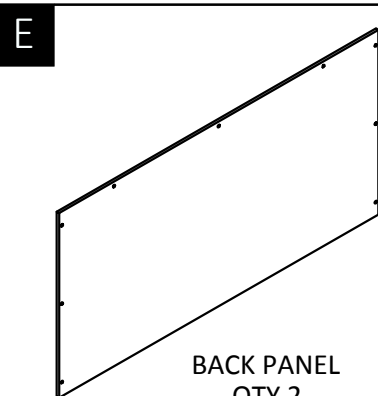
BOTTOM FRAME
QTY 1



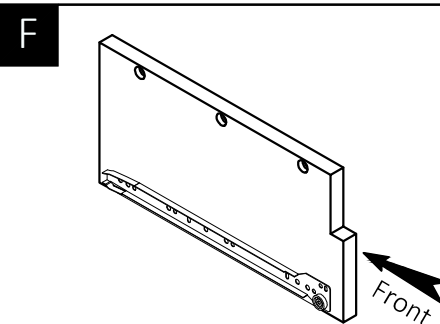
MIDDLE FRAME
QTY 1



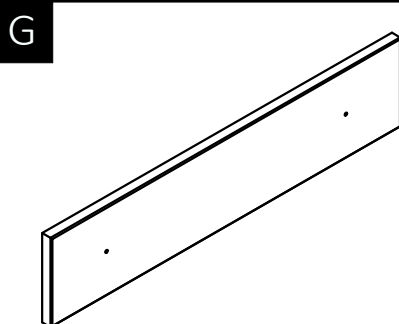
SIDE
QTY 1 PAIR



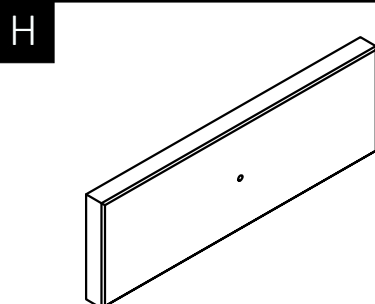
BACK PANEL
QTY 2



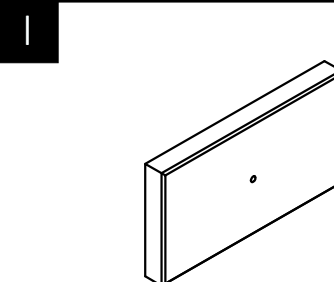
DIVIDER
QTY 1 PAIR



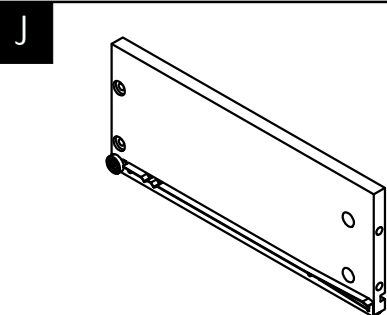
LARGE DRAWER FRONT
QTY 3



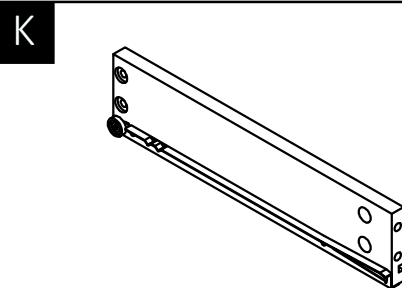
MIDDLE DRAWER FRONT
QTY 1



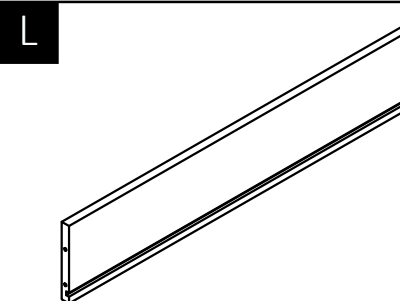
SMALL DRAWER FRONT
QTY 2



LAGRE DRAWER SIDE
QTY 3 PAIRS



MIDDLE & SMALL
DRAWER SIDE
QTY 3 PAIRS



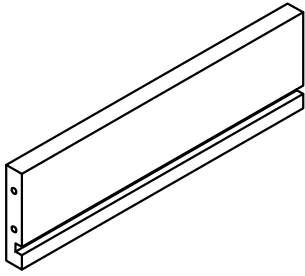
LARGE DRAWER BACK
QTY 3

NEED HELP? For help with assembly or if you are missing a part,
Please call customer service

PRE-ASSEMBLY INFORMATION

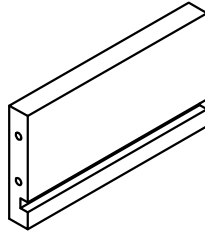
PART DESCRIPTION

M



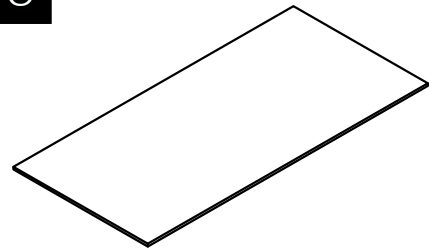
MIDDLE DRAWER BACK
QTY 1

N



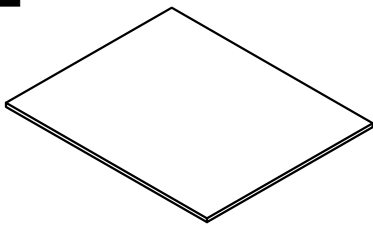
SMALL DRAWER BACK
QTY 2

O



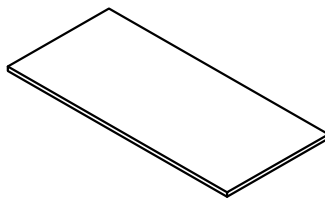
LARGE DRAWER BOTTOM
QTY 3

P



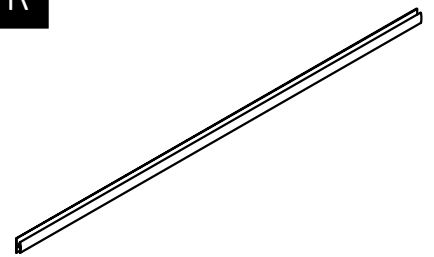
MIDDLE DRAWER BOTTOM
QTY 1

Q



SMALL DRAWER BOTTOM
QTY 2

R



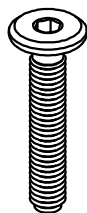
PLASTIC JOINING STRIP
QTY 1

NEED HELP? For help with assembly or if you are missing a part,
Please call customer service

PRE-ASSEMBLY INFORMATION

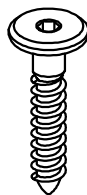
HARDWARE DESCRIPTION

1



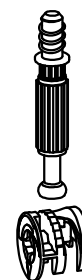
ALLEN KEY BOLT
M6 X 30mm
QTY 18

2



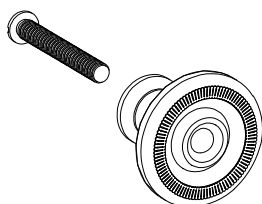
ALLEN KEY SCREW
M6 X 30mm
QTY 36

3



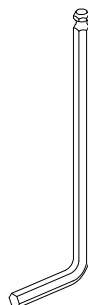
CAM LOCK PIN
CAM LOCK
QTY 24 SETS

4



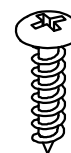
HANDLE
M4 X 27 mm
QTY 9 SETS

5



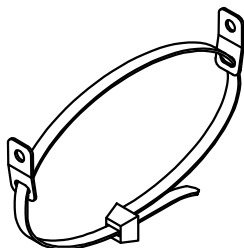
ALLEN KEY
QTY 1

6






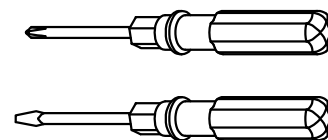
PHILLIPS SCREW
ROUND HEAD
M4 X 15mm
QTY 18

7



FURNITURE ANTI-TIPPING RESTRAINT
QTY 1 SET

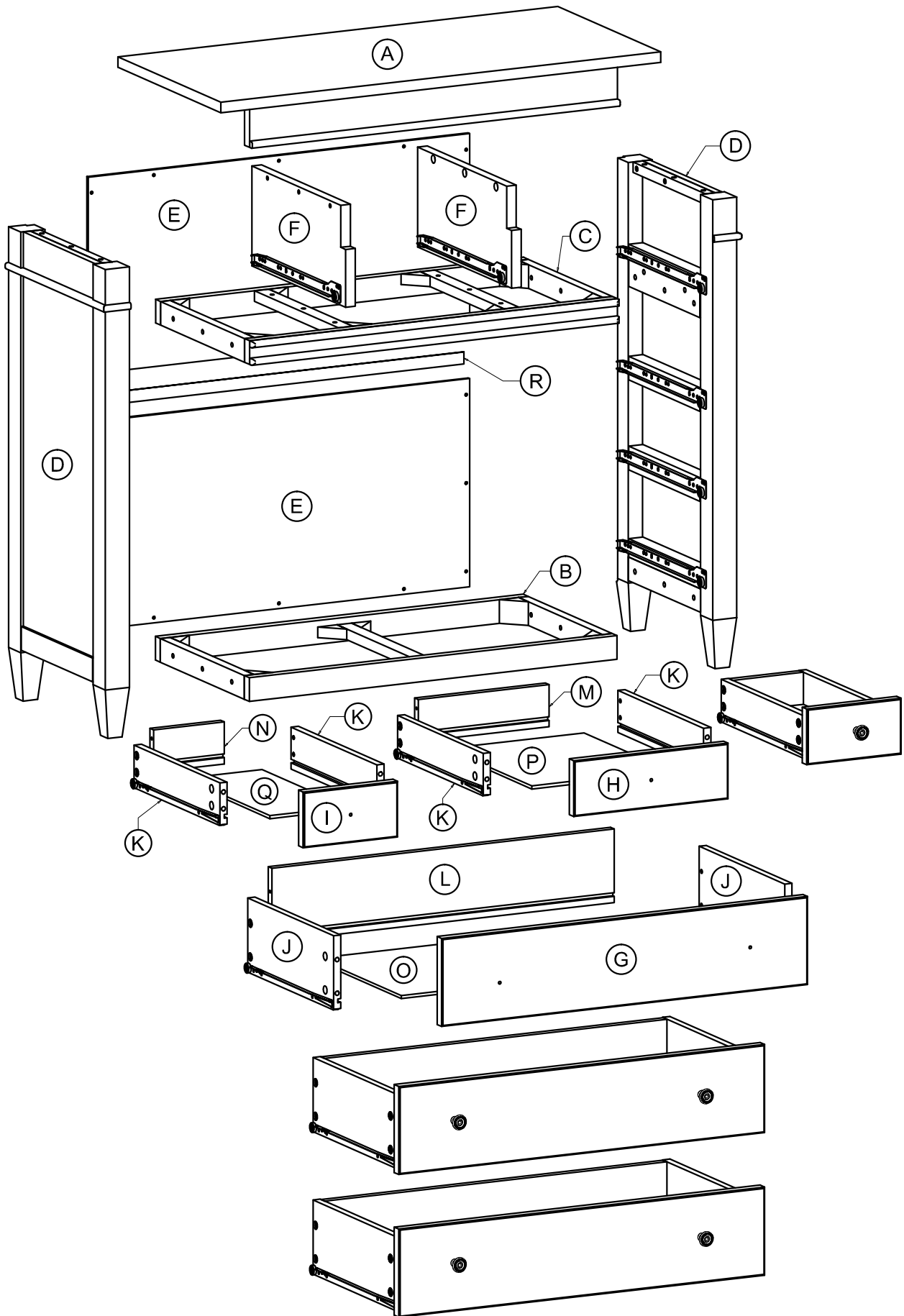
- a.  M4 X 25mm - QTY 1
- b.  M4 X 15mm - QTY 1
- c.  M4 X 25mm - QTY 1



Required -
Flathead screwdriver
Phillips screwdriver
Not Included

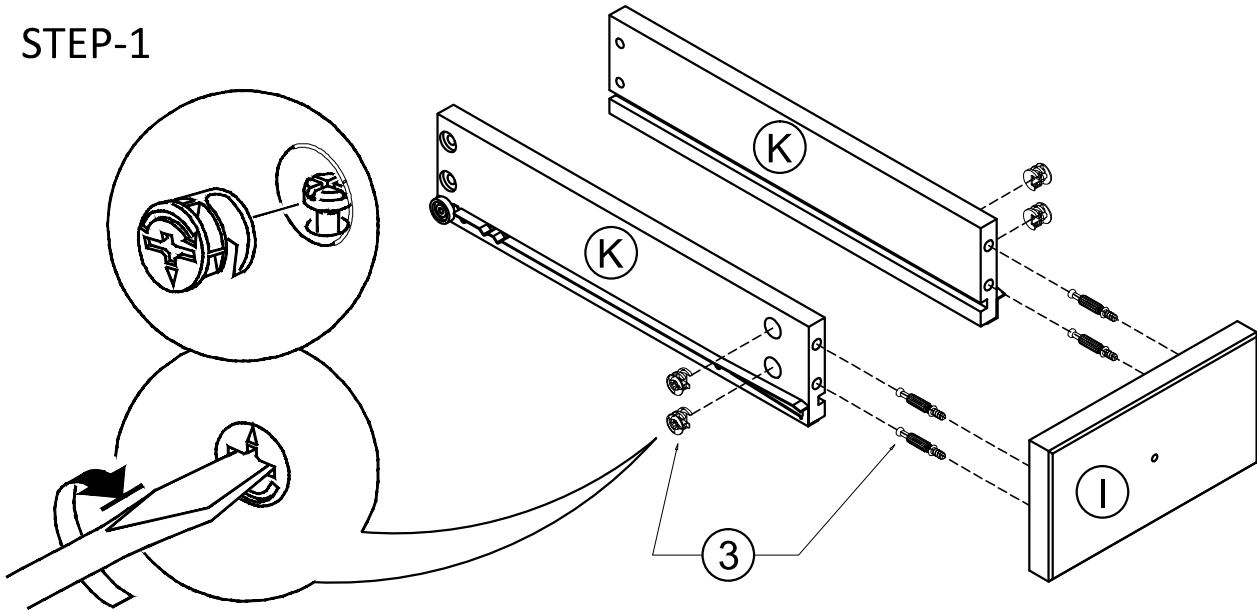
NEED HELP? For help with assembly or if you are missing a part,
Please call customer service

COMPONENTS-KEY DIAGRAM



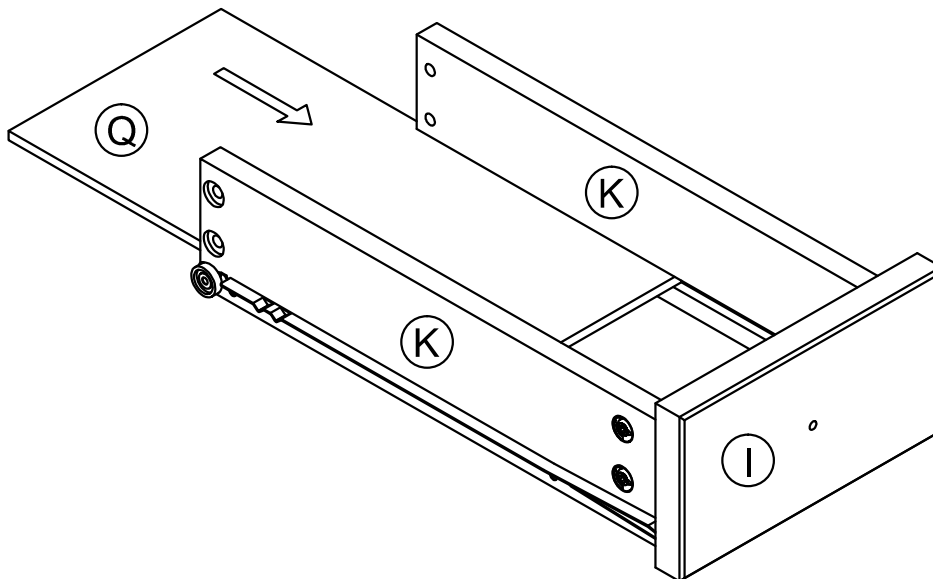
ASSEMBLY

STEP-1



1. Attach 4 Cam Lock Pins (3) to pre-drilled holes at back of Small Drawer Front (1).
2. Align Cam Lock Pins with pre-drilled holes and attach Small Drawer Sides (K).
3. Insert 2 Cam Locks (3) into pre-drilled holes on each Small Drawer Side (K).
4. Use flathead screwdriver secure Cam Locks.

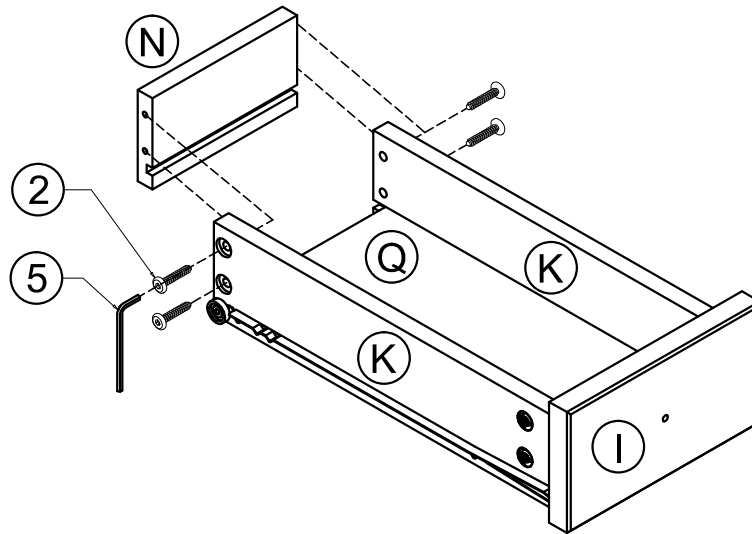
STEP-2



1. Slide Small Drawer Bottom (Q) firmly into slots on Small Drawer Sides (K) and Small Drawer Front (1).

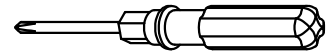
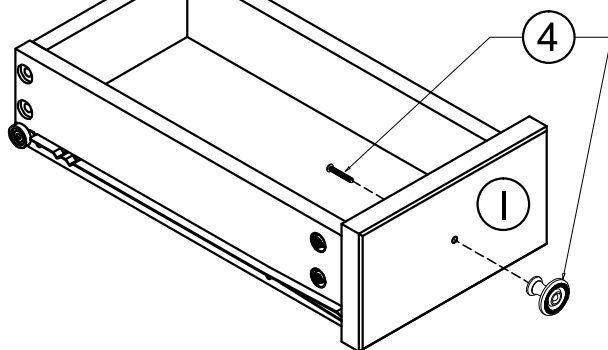
ASSEMBLY

STEP-3



1. Align Small Drawer Back (N) with Small Drawer Bottom (Q) and press firmly into slot .
2. Attach Drawer Back using 2 Allen Key Screws (2) through pre-drilled holes on each Side (K).
3. Use Allen Key (5) to tighten screws. Do not over-tighten.

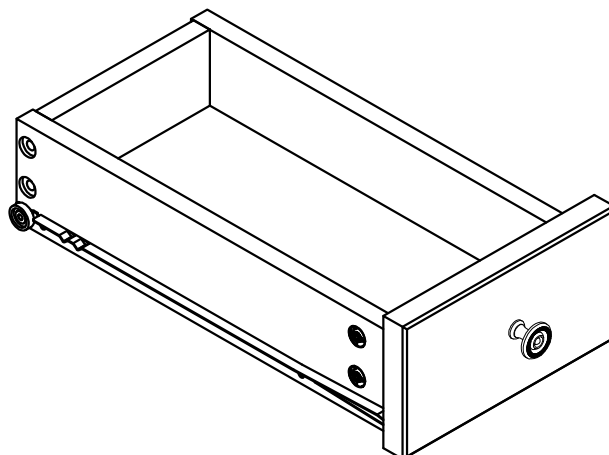
STEP-4



NOTE: The screwdriver is not included in the hardware pack.

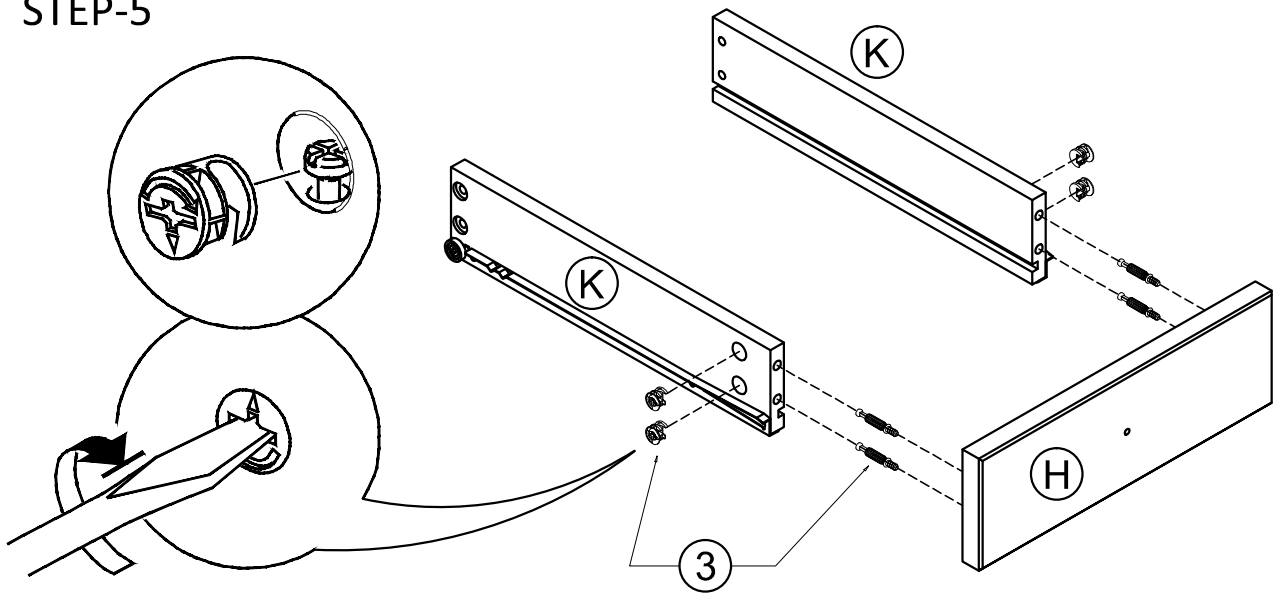
1. Use Phillips screwdriver to attach Handle (4) to Small Drawer Front (I).

Repeat Step 1-4 for the second small drawer .



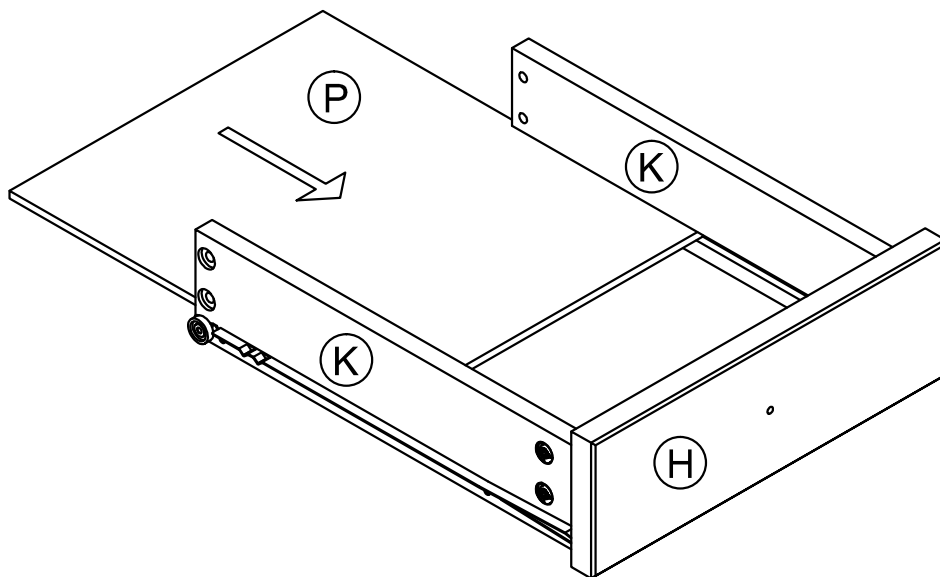
ASSEMBLY

STEP-5



1. Attach 4 Cam Lock Pins (3) to pre-drilled holes at back of Middle Drawer Front (H).
2. Align Cam Lock Pins with pre-drilled holes and attach Middle Drawer Sides (K).
3. Insert 2 Cam Locks (3) into pre-drilled holes on each Middle Drawer Side (K).
4. Use flathead screwdriver secure Cam Locks.

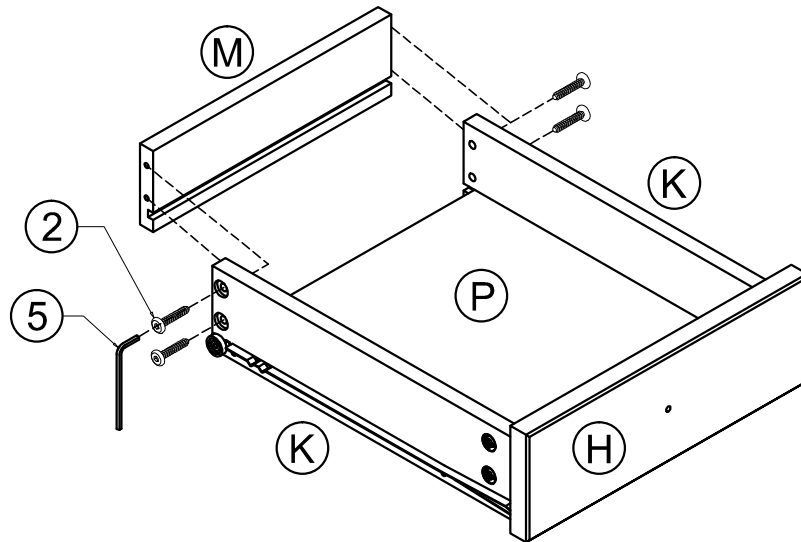
STEP-6



1. Slide Middle Drawer Bottom (P) firmly into slots on Middle Drawer Sides (K) and Middle Drawer Front (H).

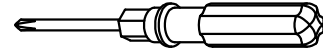
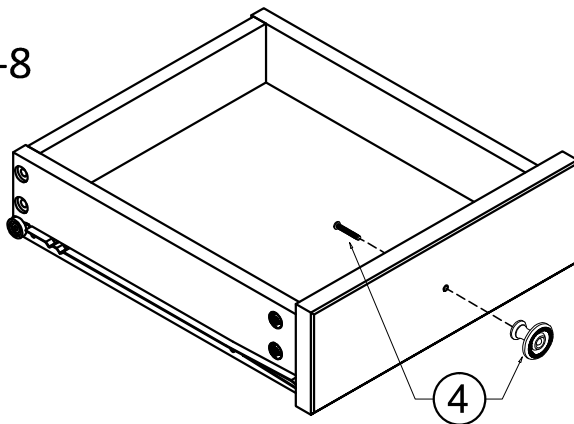
ASSEMBLY

STEP-7



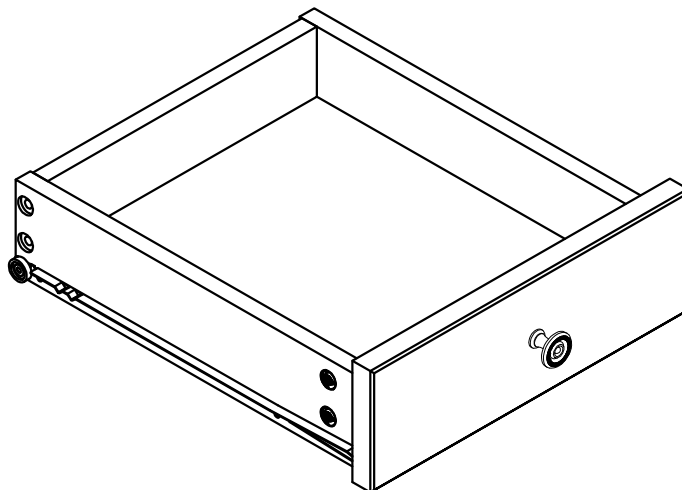
1. Align Middle Drawer Back (M) with Middle Drawer Bottom (P) and press firmly into slot.
2. Attach Drawer Back using 2 Allen Key Screws (2) through pre-drilled holes on each Side (K).
3. Use Allen Key (5) to tighten screws. Do not over-tighten.

STEP-8



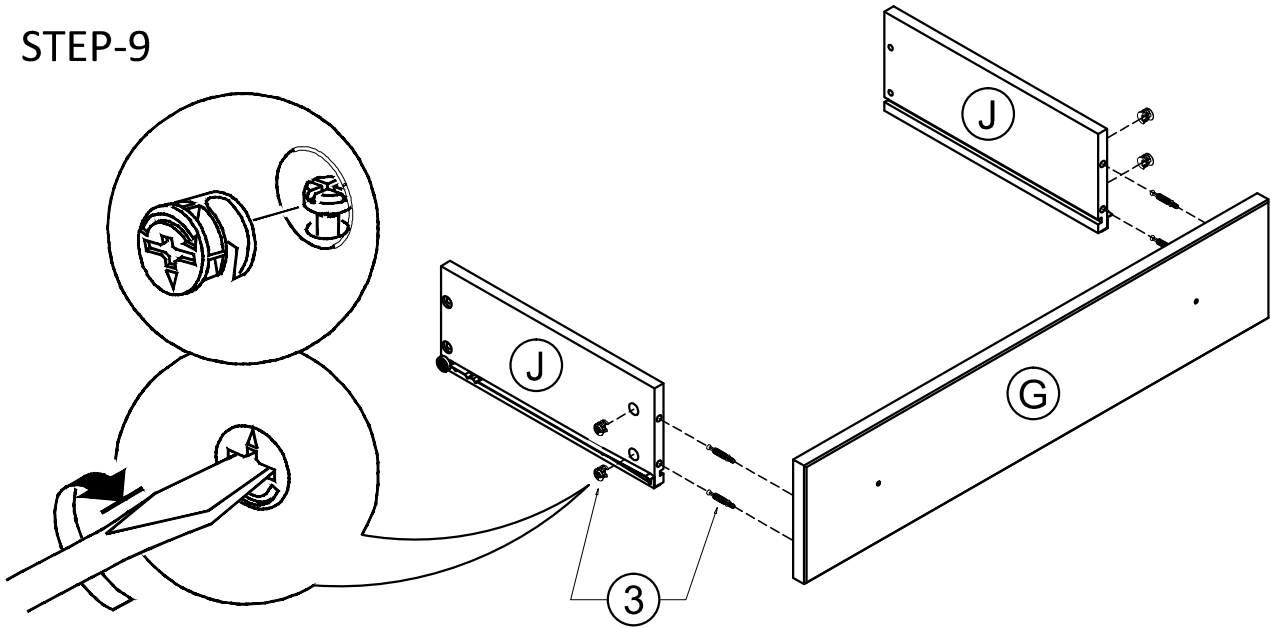
NOTE: The screwdriver is not included in the hardware pack.

1. Use Phillips screwdriver to attach Handle (4) to Middle Drawer Front (H).



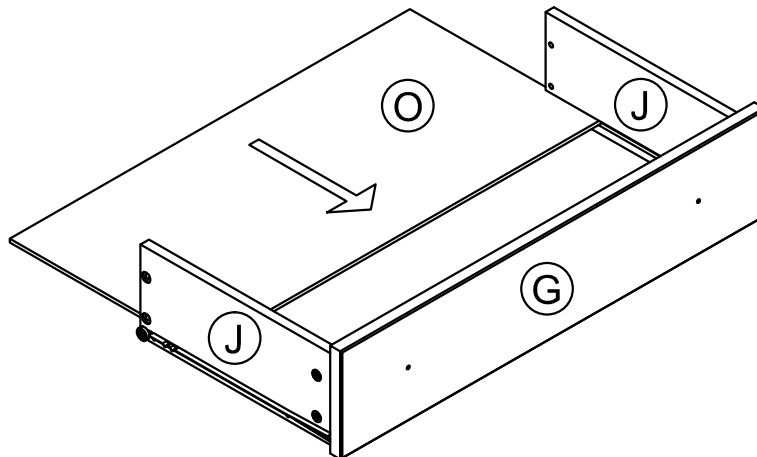
ASSEMBLY

STEP-9



1. Attach 4 Cam Lock Pins (3) to pre-drilled holes at back of Large Drawer Front (G).
2. Align Cam Lock Pins with pre-drilled holes and attach Large Drawer Sides (J).
3. Insert 2 Cam Locks (3) into pre-drilled holes on each Large Drawer Side (J).
4. Use flathead screwdriver secure Cam Locks.

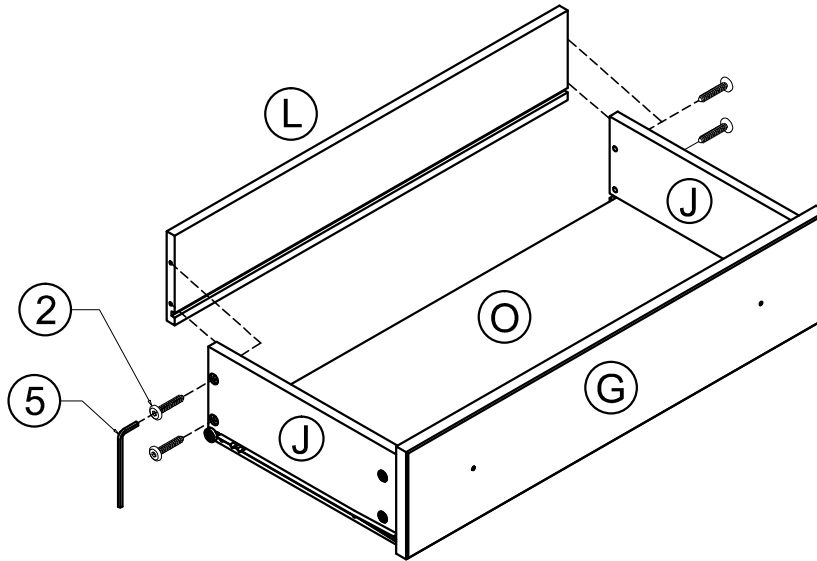
STEP-10



1. Slide Large Drawer Bottom (O) firmly into slots on Large Drawer Sides (J) and Large Drawer Front (G).

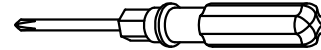
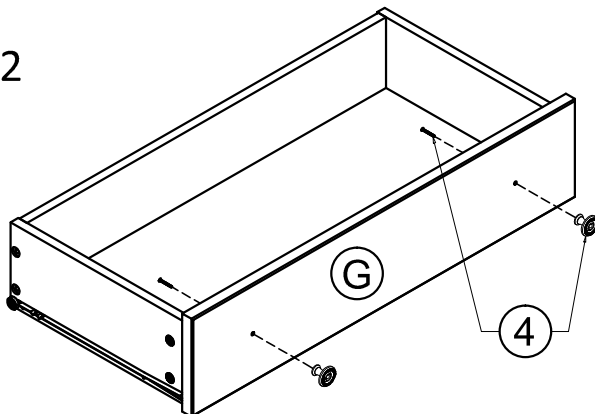
ASSEMBLY

STEP-11



1. Align Large Drawer Back (L) with Large Drawer Bottom (O) and press firmly into slot .
2. Attach Drawer Back using 2 Allen Key Screws (2) through pre-drilled holes on each Side (J).
3. Use Allen Key (5) to tighten screws. Do not over-tighten.

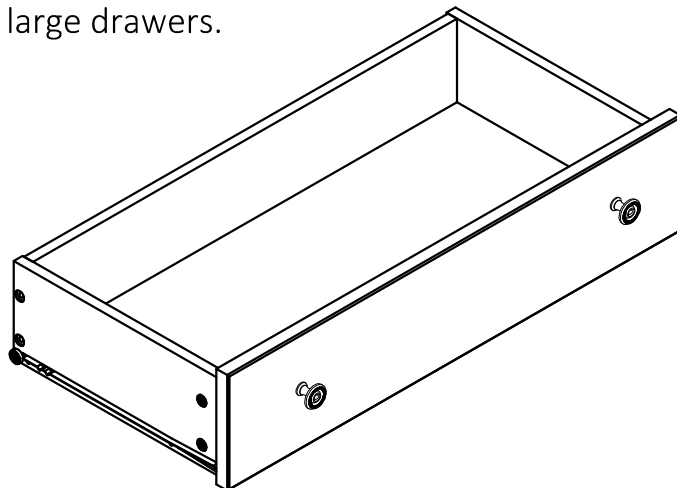
STEP-12



NOTE: The screwdriver is not included in the hardware pack.

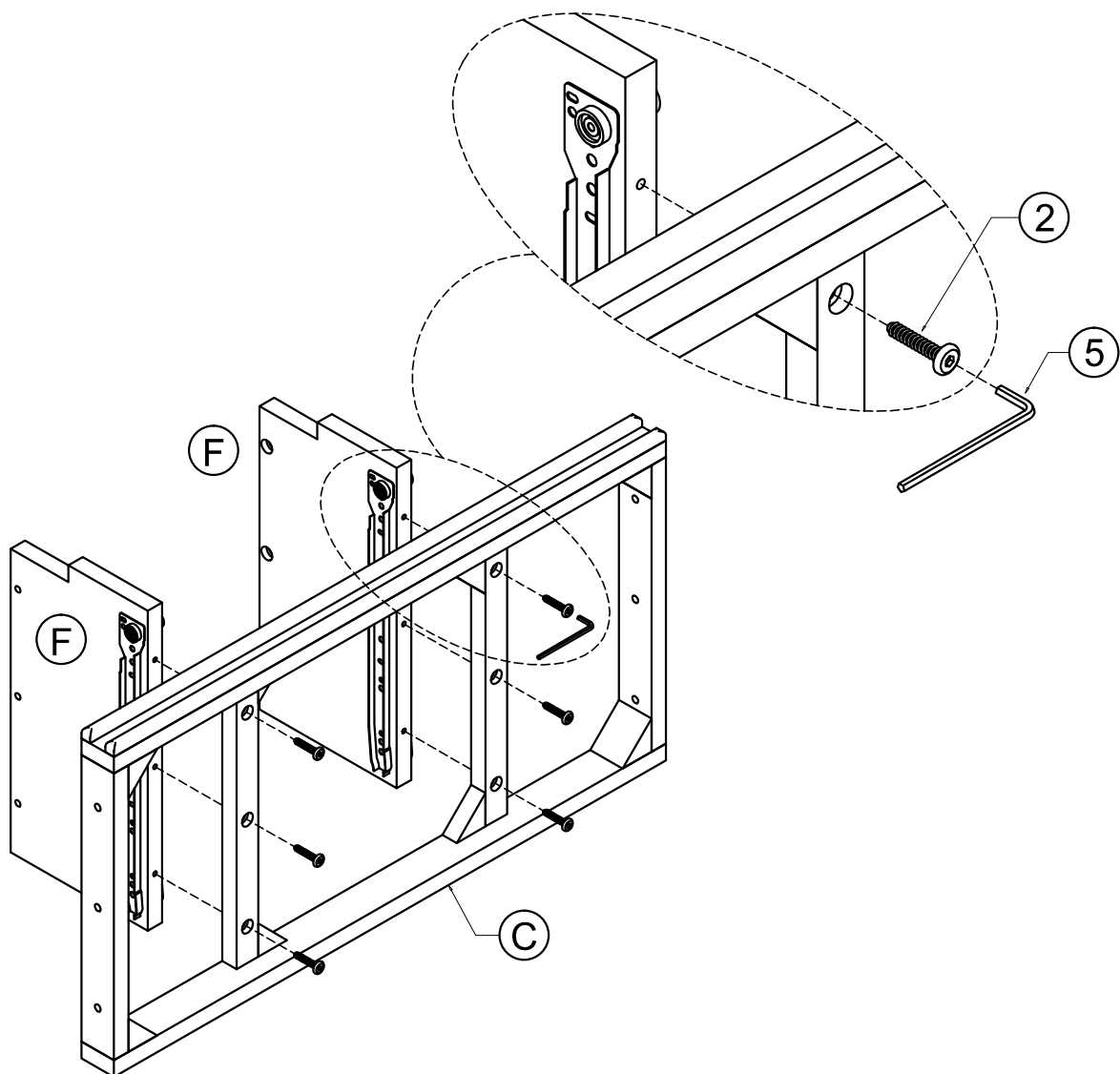
1. Use Phillips screwdriver to attach Handle (4) to Large Drawer Front (G) .

Repeat Step 9-12 for the other two large drawers.



ASSEMBLY

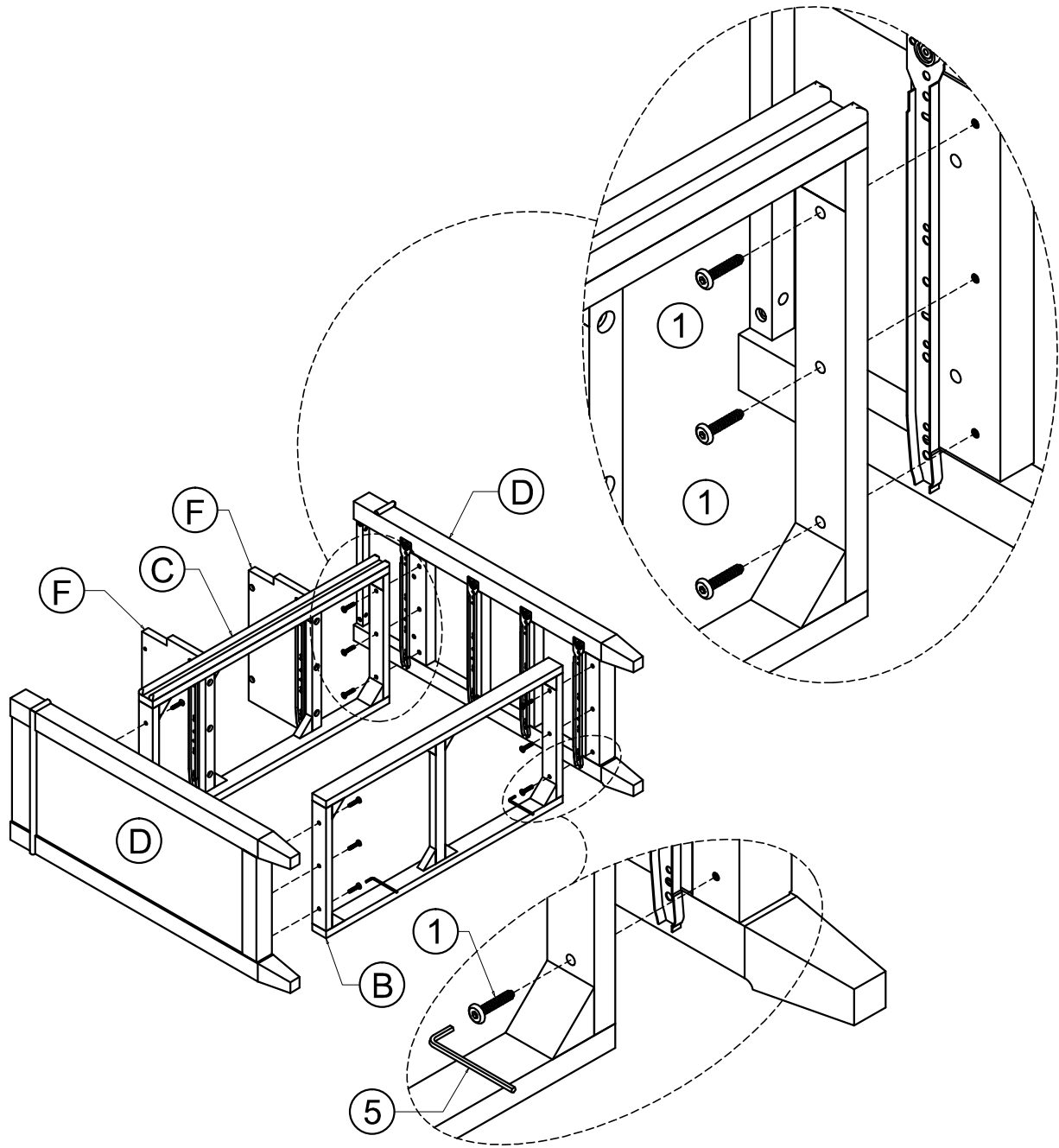
STEP-13



1. Attach Dividers (F) to Middle Frame (C) using 6 Allen Key Screws (2) (3 Screws / each Divider).
2. Use Allen Key (5) to tighten screws. Do not over-tighten.

ASSEMBLY

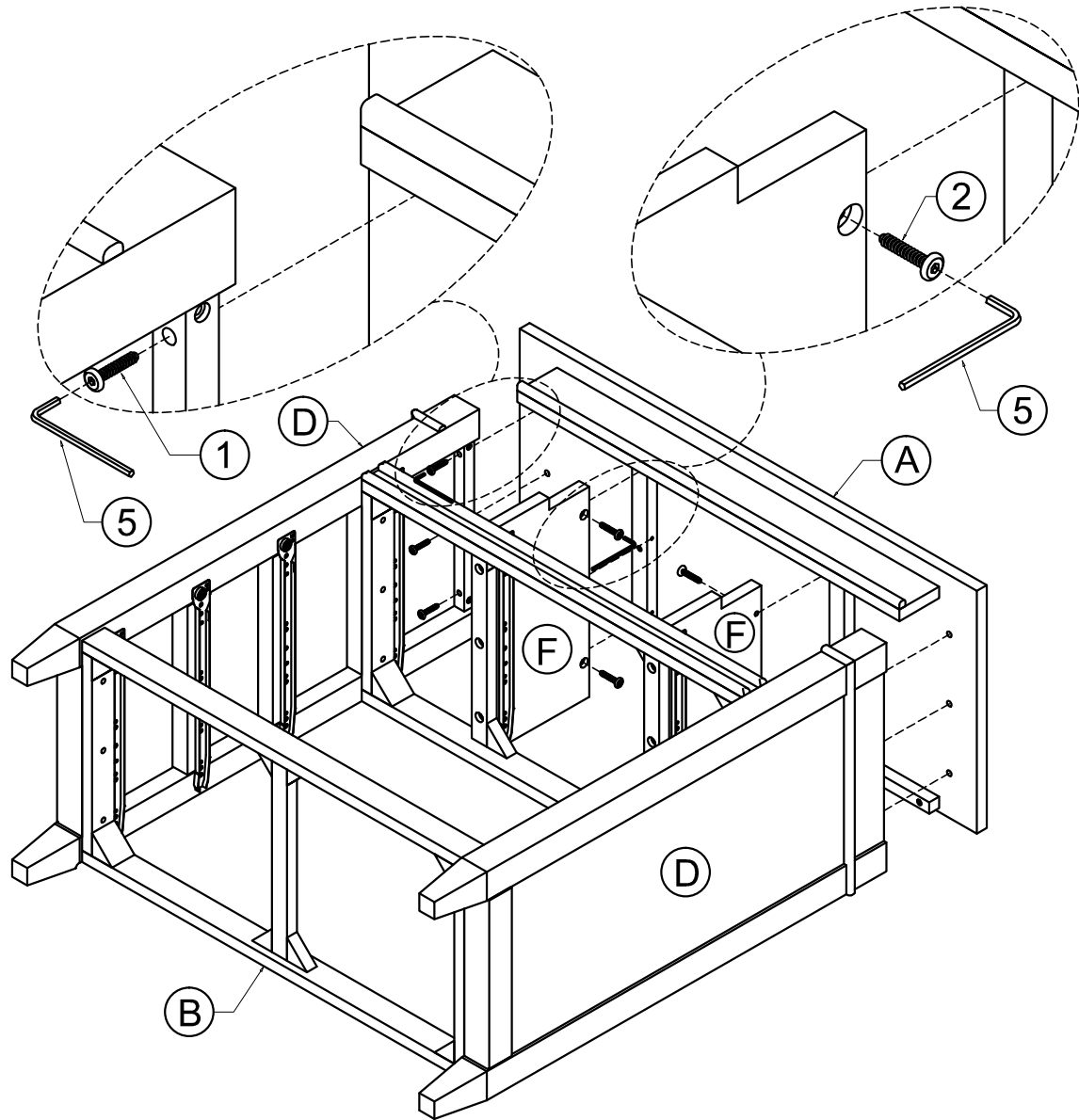
STEP-14



1. Attach Middle Frame (C) and Bottom Frame (B) to Sides (D) using 12 Allen Key Bolts (1) (6 Bolts / each Side).
2. Use Allen Key (5) to tighten bolts. Do not over-tighten.

ASSEMBLY

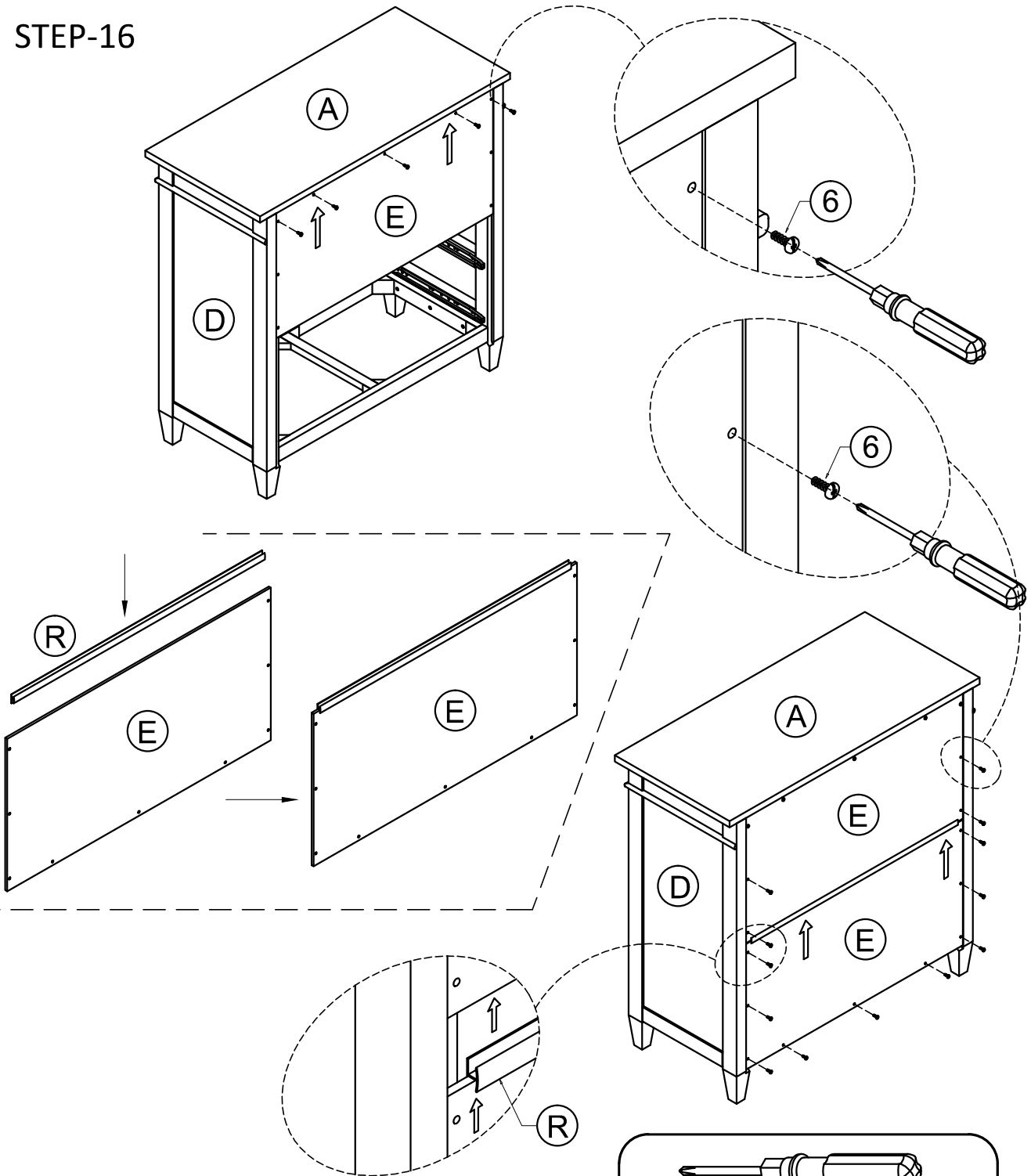
STEP-15



1. Attach Top (A) to Sides (D) using 6 Allen Key Bolts (1) (3 Bolts / each Side).
2. Attach Top (A) to Dividers (F) using 6 Allen Key Screws (2) (3 Screws / each Divider).
3. Use Allen Key (5) to tighten screws and bolts. Do not over-tighten.

ASSEMBLY

STEP-16

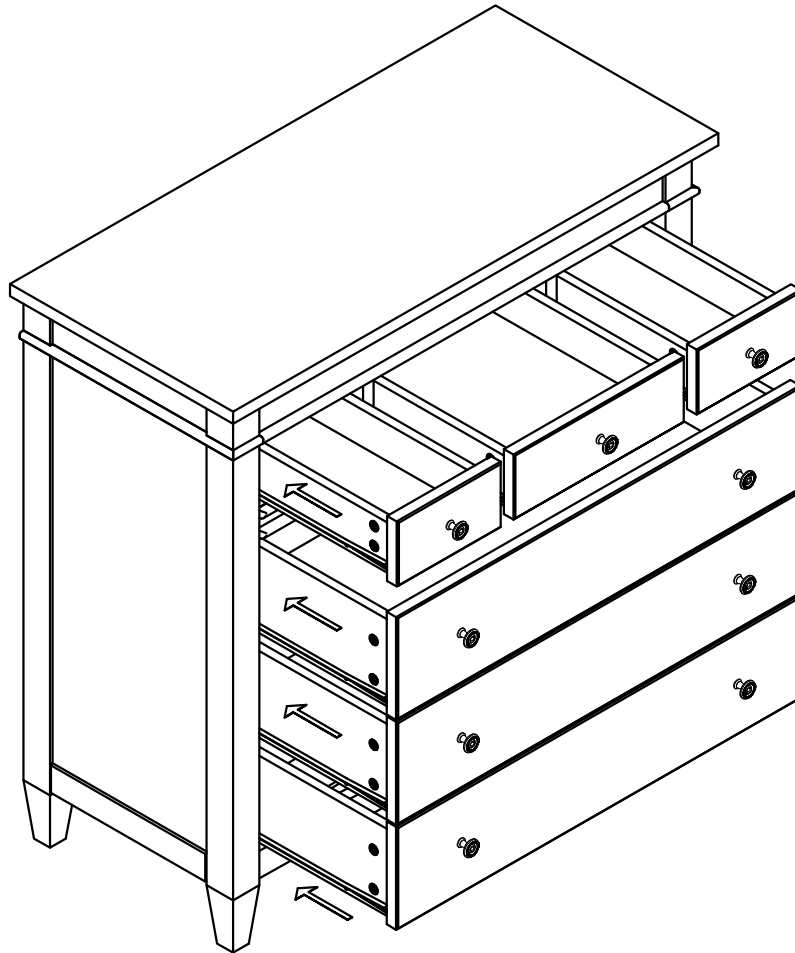


NOTE: The screwdriver is not included in the hardware pack.

1. Attach the upper Back Panel (E) to back frame by using Phillips Screws (6). Only 1st top row of screws (5 screws) to be screwed in advance.
2. Insert the lower Back Panel (E) into the slot of Plastic Joining Strip (R).
3. Insert the entire set of Step 2 into bottom edge of upper Back Panel (E) and attach both panels (E) with screws (6).

ASSEMBLY

STEP-17

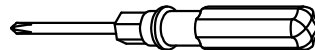


1. Insert assembled drawers into glides on assembled chest.

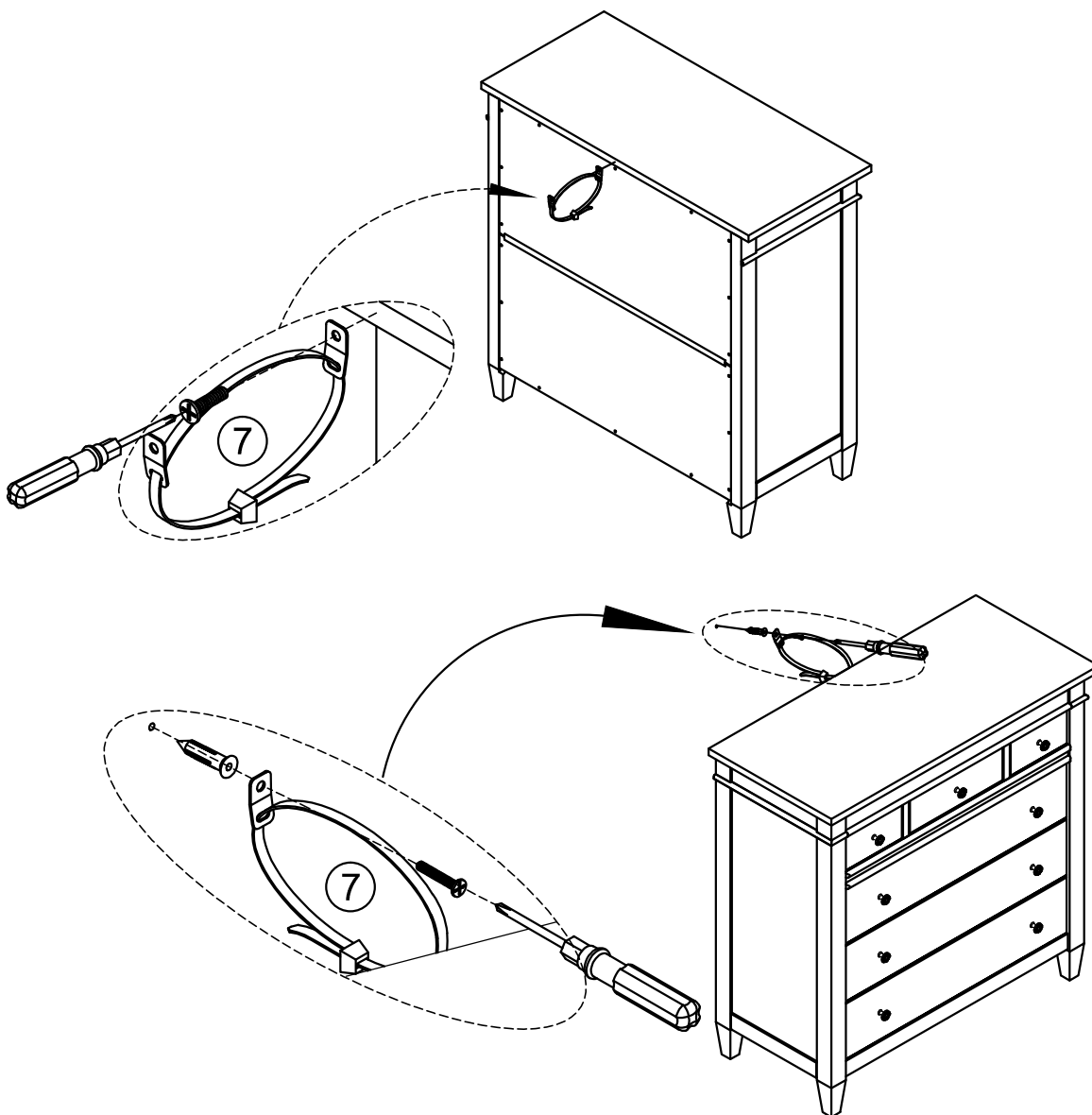
FURNITURE ANTI-TIPPING RESTRAINT ASSEMBLY

NOTE: Injuries and damage can occur from furniture tip-over. It is important to use the safety bracket included. If the tipping restraint kit is not in the box, please contact our customer service department in order to obtain another kit before using the furniture.

STEP-18



NOTE: The screwdriver is not included in the hardware pack.



FURNITURE ANTI-TIPPING RESTRAINT ASSEMBLY

Furniture Anti-Tipping Restraint Instructions:

1. Attach one of the mounting brackets securely to the back edge of the furniture. Use the shorter screw.
 2. Determine where furniture is to be placed and mark location on the wall for mounting bracket screw hole approximately 2 inches below the bracket mounted to the furniture.
 3. Drill a 3/16 inch hole in the wall. Press the plastic anchor into the hole and gently tap until the flange on the anchor is against the wall surface.
 4. Position the bracket over the anchor and use the longer screw to securely attach the bracket to the wall.
 5. Place the furniture so the back edge is in line with the bracket on the wall.
 6. Lace an end of the nylon restraint down through each bracket. Bring both ends together and slide the beaded end of the strap through the keyhole shaped slot in the other end until snug. Pull down on the beaded end until it snap locks into the keyhole slot.
 7. To double lock, return the beaded end back through the keyhole as shown.
 8. Check to make sure the strap is securely laced and locked to the brackets.
- **DO NOT** put a TV or other heavy objects on top of a Chest of Drawers or any other furniture not intended for use with a TV
 - **DO NOT** place heavy objects in top drawers
 - **DO NOT** let children climb or hang on drawers, doors or shelves

WARRANTY

Thank you for purchasing our product.

These products have been made to demanding, high-quality standards and are guaranteed for domestic use against manufacturing faults for a period of 12 months from the date of purchase. This warranty does not affect your statutory rights.

In case of any malfunction of your product (failure, missing parts, etc.)

We reserve the right to repair or replace the defective product, at its discretion.

This product is guaranteed for 12 months if used for normal purposes. Any warranty is invalid if the product has been overloaded or subject to neglect, improper use or an attempted repair by other than an authorized agent. Heavy-duty or daily professional/commercial usage are not guaranteed.

Due to continuous product improvement, we reserve the right to change the product specifications without prior notice.