

### INSTRUCTION MANUAL Outdoor 3PCS Rocking Set

IF YOU PURCHASED THE CHAIR ONLINE AND HAVE ANY QUESTIONS OR CONCERNS  
PLEASE CONTACT US WITH EMAIL OR WHATSAPP  
Email: hiwarrantyservice@outlook.com  
TEXT: +1 628-263-4608

**WARNING:**

Proper use of the sets.  
The chair is not to be used for standing purposes and will not function as a stool or step-ladder. Use on even surfaces only. Chair tested for use at weight of 300lb (136.4kg). Improper use of this product or failure to use as directed may result in injury. Not intended for commercial use.  
Table is not intended for sitting on or will not function as astool or step-ladder. Place and use table on flat surface only. Please be sure that all bolts are securely tighten before use. Improper use of this product or failure touse as directed may result in injury. Not intended for commercial use.

**IMPORTANT:**

Please read all the instructions and warnings before assembling. In order to make the whole product adjust to the best, please install all the screws on the product before fully tighten, and note to put the washer to the screw before putting the screw into the screw hole.

**SAFETY INFORMATION:**

- Keep all children and pets away from assembly area. Children and pets should be supervised when they are in the area of the product construction.
- Keep assembly area at least 6 feet from any obstruction such as a fence, garage, house, overhanging branches, laundry line or electrical wires.
- Some parts may contain sharp edges. When assembling and using this product, basic safety precautions should always be followed to reduce the risk of personal injury and damage to the product. Please read all instructions before assembly and use.
- Check all bolts for tightness before use. IMPORTANT - check and tighten bolts often to keep them secure!
- The chair is not to be used for standing purposes and will not function as a stool or step-ladder. Use on even surfaces only.
- The chair use at wight of 300lb (136.4kg). Improper use of this product or failure to use as directed may result in injury. Not intended for commercial use.

**CARE & MAINTENANCE :**

- STAIN RESISTANT CUSHIONS CARE :KEEP THE CUSHIONS IN STORAGE IN RAINING DAY.
- SPILLS: Immediately wipe up the spill using a white damp cloth. Repeat process if necessary until stain is gone. Allow cushion to air dry.
- FABRIC CARE: Hand wash cold, non-chlorine bleach when needed, lay flat to dry. Cool iron if necessary. Do not dry clean.
- RESIN WICKER PRODUCT CARE: Before using, clean the product completely with a soft dry towel. When not in use, wipe free of any dirt or loose objects, wash with a mild solution of soap and water, rinse thoroughly and dry completely. Do not use strong detergent or abrasive cleaners. Over time nuts and bolts can loosen. Occasionally, check nuts and bolts on all chairs and tables, re-tighten if necessary.

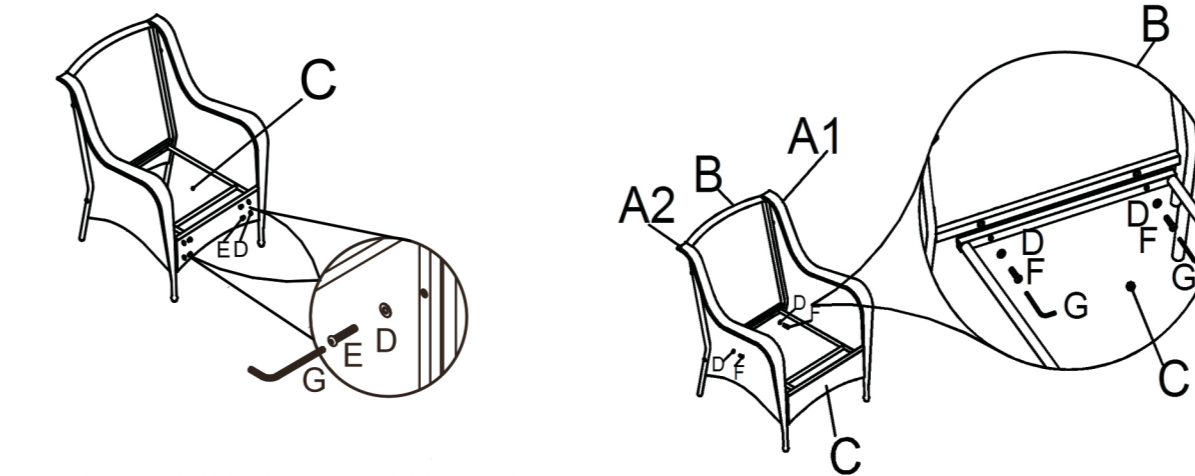
### Rocking Chair

**Parts List:**

No.	Part	Qty	Image	No.	Part	Qty	Image
A1	Left Arm	1		A2	Right Arm	1	
B	Chair Back	1		C	Seat Panel	1	
D	Big Washer	10		E	Screw(φ6x15mm)	8	
F	Screw(φ6x35mm)	2		G	Allen Wrench	1	
H	Runner	2		I	Tapping Screw	4	

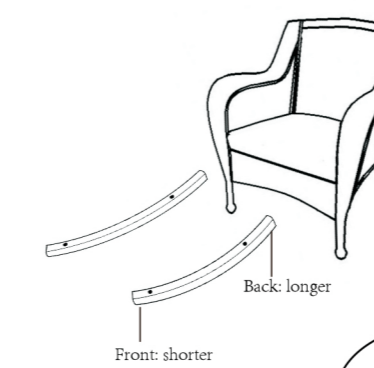
  

--	--

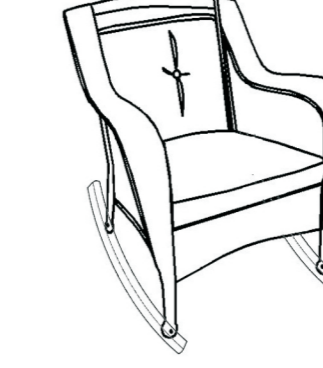


Step 3: Attach left & right arm (A1 & A2) to seat panel (C) with screw (E) and big washer (D) by using wrench (G). Do not fully tighten now.

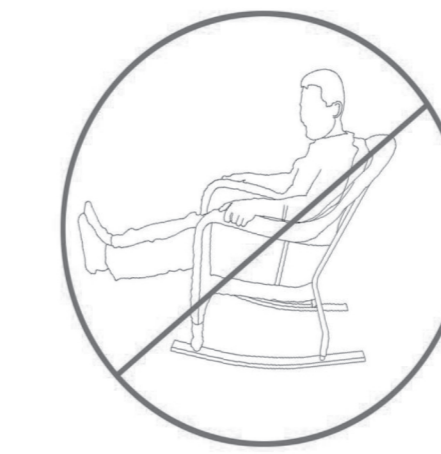
Step 4: Attach chair back (B) to seat panel (C) with screw (F) and big washer (D) by using wrench (G). Do not fully tighten now.



Step 5: Attach runners (H) to assemble rocker and secure by using tapping screw (I). Please make sure the direction of runner is correct.



Step 6: Verify the alignment and adjust, fully tighten all the screws now. Put cushions on the rocker. The rocker is assembled.

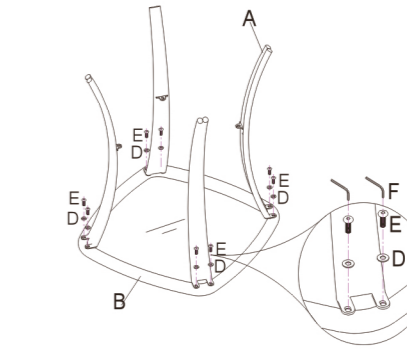


**THIS ROCKER IS NOT A TOY. DON'T OVER-ROCK THE CHAIR. IT MAY MAKE THE ROCKER TIP OVER AND RESULT IN INJURY.**

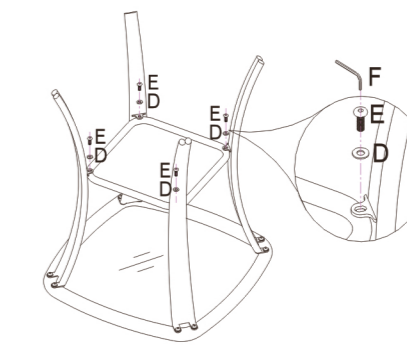
### Side Table

**Parts List:**

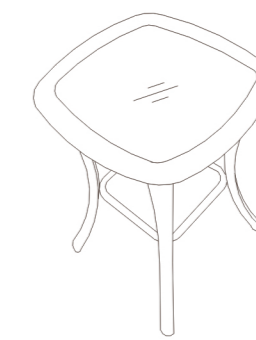
NO.	Part	Qty	Image	NO.	Part	Qty	Image
A	Table Leg	4		B	Glass Table Top	1	
C	Table Tray	1		D	Washer	12	
E	Screw(φ6x12mm)	12		F	Allen Wrench	1	



STEP 1: Assemble 4 table legs (A) to glass table top (B) by using 8 screws (E) and 8 washers (D) with allen wrench (F). Do not tighten all screws now.



STEP 2: Assemble table tray (C) to 4 table legs (A) by using 4 screws (E) and 4 washers (D) with allen wrench (F). Do not tighten all bolts now.



STEP 3: Turn over the assembled table. Verify the alignment and adjust, fully tighten all the screws.

Email: hiwarrantyservice@outlook.com

TEXT: +1 628-263-4608