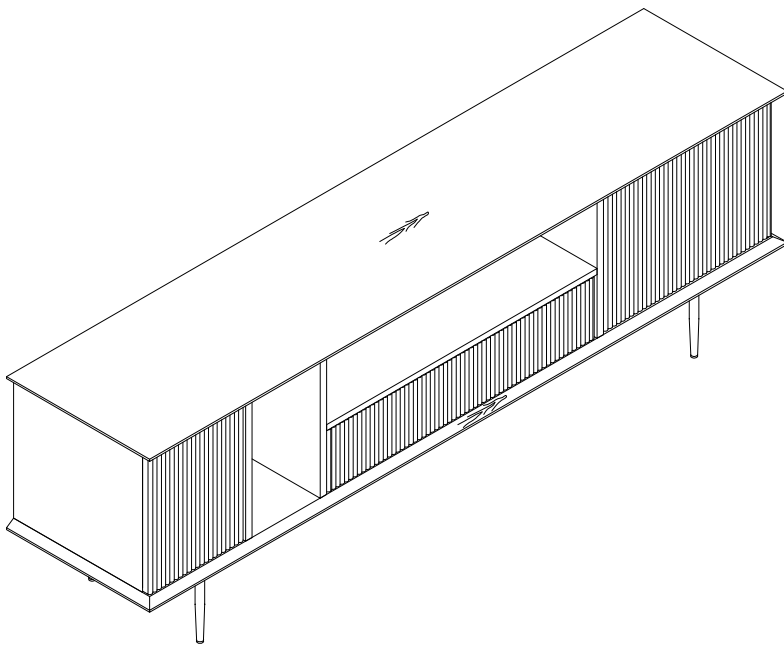


ASSEMBLY INSTRUCTIONS



TOOLS REQUIRED



Allen Wrench

(Included)



Phillips
Screwdriver

(Not Included)



2 - People
Recommended

ASSEMBLY RATING



EASY —————> DIFFICULT

The Assembly Rating is a 5-point system showing the level of effort needed to assemble a specific product.



CHECK BEFORE STARTING

Are you missing anything?

Double-check all parts, hardware and accessories listed are all accounted for.

Check out our Quick Tips!

We recommend reviewing the pre-assembly handouts. Even experts need a refresher now and then!

Should we send any replacements?

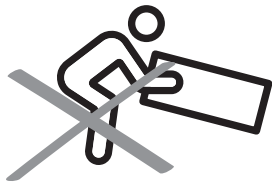
Are there any irregularities or flaws in the parts? We can send replacements!

Prep Time!

Please review the assembly instructions and all diagrams prior to assembling.

PRE ASSEMBLY INTRODUCTION

We understand building ready-to-assemble furniture can be a challenging experience for some. To help avoid confusion, we have provided some helpful tips that may speed up the process.



Teamwork

ALWAYS have at least two people to help with transporting and assembling the product to avoid potential injury and/or damage.



Suitable Location

Assembling near the area of the intended location is highly recommended.



Sufficient Space

Make sure you have enough space to move around during the assembly.



Avoid Scratches

Use cardboard, blankets or a carpeted area while assembling furniture to prevent to prevent scratches and damages.



Flat Surface

Make sure the furniture rests on a flat and level surface with each leg evenly touching the floor.

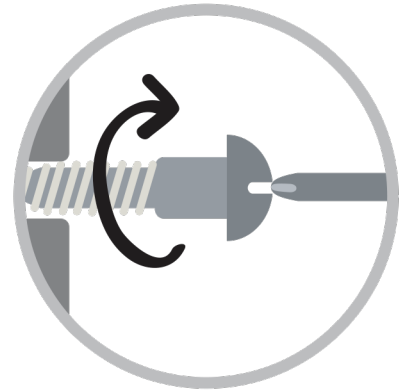
ASSEMBLY AND CARE ADVICE



FAILURE TO FOLLOW THE GUIDELINES BELOW MAY RESULT IN INJURY AND/OR PROPERTY DAMAGE.



Position each part correctly and insert screws or bolts into their respective holes.



Turn clockwise to tighten and only tighten when step is completed or when instructed to do so.



Use the appropriate hand tools or power tools for assembly. Select steps, such as tightening screws and/or bolts, may require hand tools to avoid causing damage during assembly.



Save the instructions and store any supplied tools for later maintenance.



After two weeks, check and tighten any loose hardware and repeat again every six months thereafter.

IT IS THE USER'S RESPONSIBILITY TO MAINTAIN THE FURNITURE. THE HARDWARE MAY LOOSEN OVER TIME AND MAY CAUSE THE FURNITURE TO BE WOBBLY AND UNABLE TO SUPPORT ITS INTENDED WEIGHT CAPACITY. THIS MAY LEAD TO COLLAPSE AND MAY CAUSE SERIOUS INJURY.

CAM LOCK FASTENER ASSEMBLY INSTRUCTIONS

Note :

Every cam lock bolt must have a cam lock connector in order to fasten the parts together.



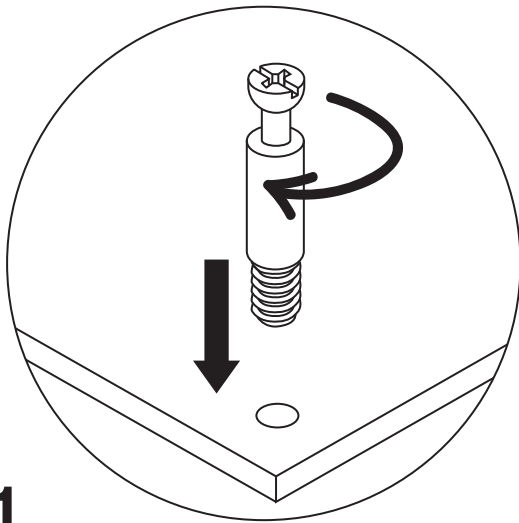
cam bolt



cam lock

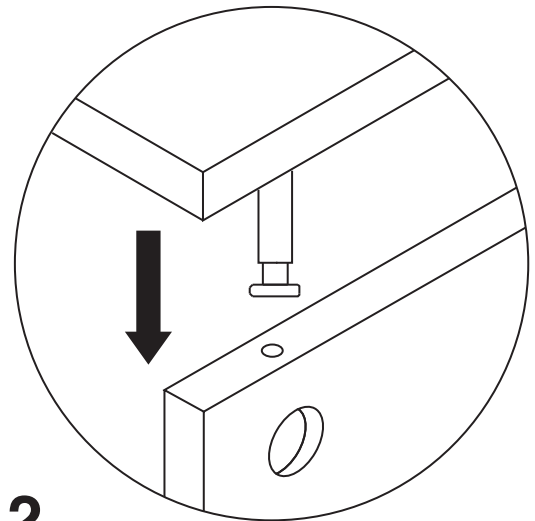


screwdriver



1

Screw the cam bolt into panel.



2

Insert the cam bolt into the bolt hole of joint panel.



3

Align the cam lock with its side opening (or arrow) pointing to cam bolt.



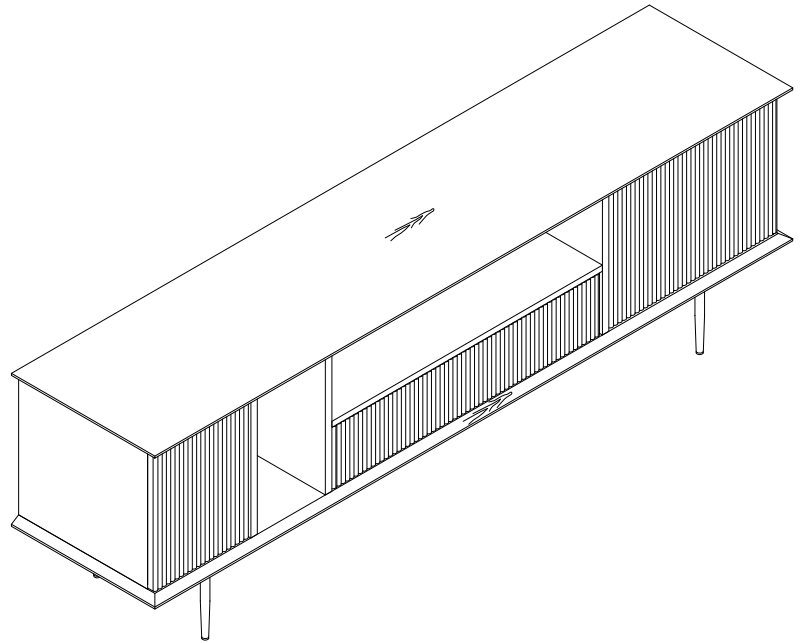
4

Turn the cam lock clockwise gently until it will not turn any more.

70" TV stand with 1pc drawer

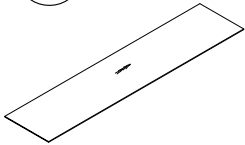


• Please keep instructions for future reference.
 • Check the quantity and irregularity of parts and hardware before you start.



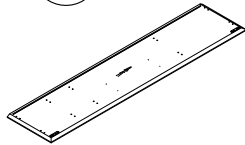
PARTS

#1 1pc



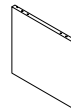
Top Board

#2 1pc



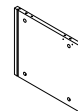
Bottom Board

#3 1pc



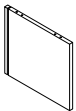
L Up-right Board

#4 1pc



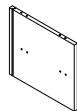
Up-right Board

#5 1pc



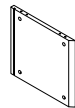
Up-right Board

#6 1pc



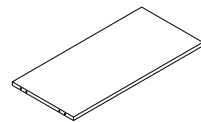
Up-right Board

#7 1pc



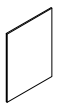
R Up-right Board

#8 1pc



Drawer Top Board

#9 1pc



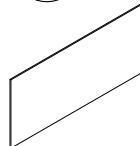
Back Board

#10 1pc



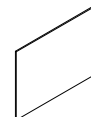
Back Board

#11 1pc



Back Board

#12 1pc



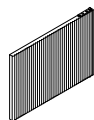
Back Board

#13 1pc



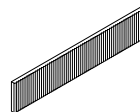
L Door

#14 1pc



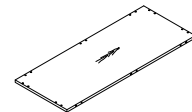
R Door

#15 1pc



Drawer Surface

#16 1pc

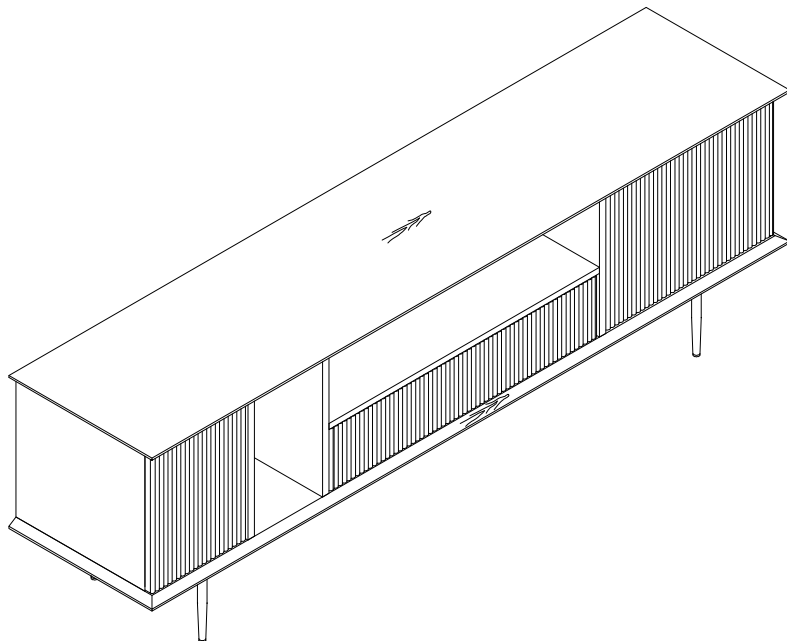


Drawer Bottom

70" TV stand with 1pc drawer



• Please keep instructions for future reference.
 • Check the quantity and irregularity of parts and hardware before you start.



PARTS

#17 1pc



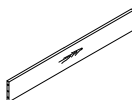
L Drawer Board

#18 1pc



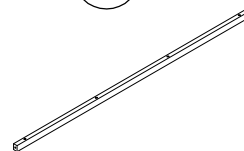
R Drawer Board

#19 1pc



B Drawer Board

#20 2pcs



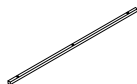
Support Tube

#21 2pcs



Leg

#22 1pc



Stop Tube

#23 2pcs

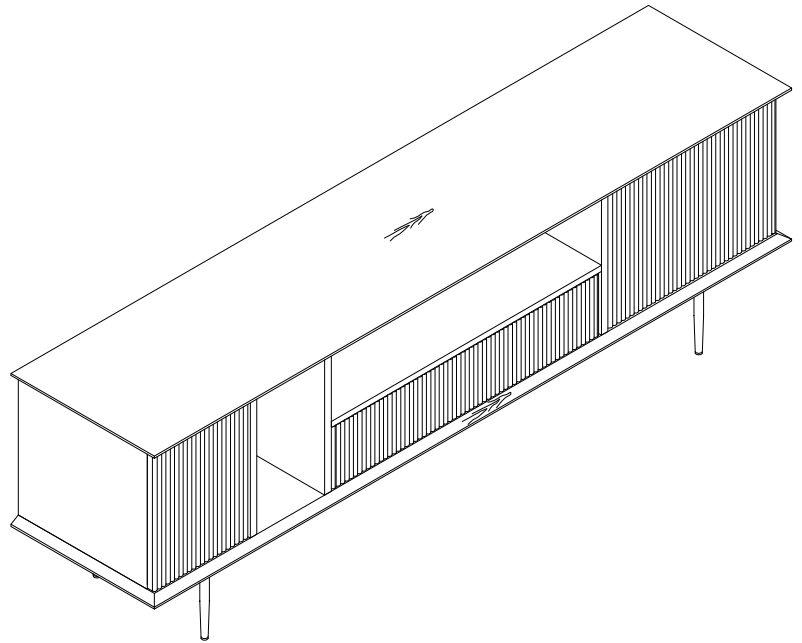


Ball Bearing Slide

70" TV stand with 1pc drawer



- Please keep instructions for future reference.
- Check the quantity and irregularity of parts and hardware before you start.



HARDWARE

#A 3pcs



Bolt 1/4"x1"

#B 16pcs



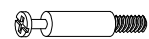
Bolt 1/4"x1-5/8"

#C 8pcs



Screw M4x10

#D 24pcs



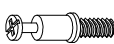
Cam Bolt M6x40

#E 24pcs



Cam Lock Ø14.5x11

#F 18pcs



Cam Bolt M6x24

#G 18pcs



Cam Lock Ø12x10.5

#H 38pcs



Dowel Ø6x30

#I 1pc



Allen Wrench M4

#J 2pcs



TIP-ON

#K 2pcs



Washer

#L 6pcs

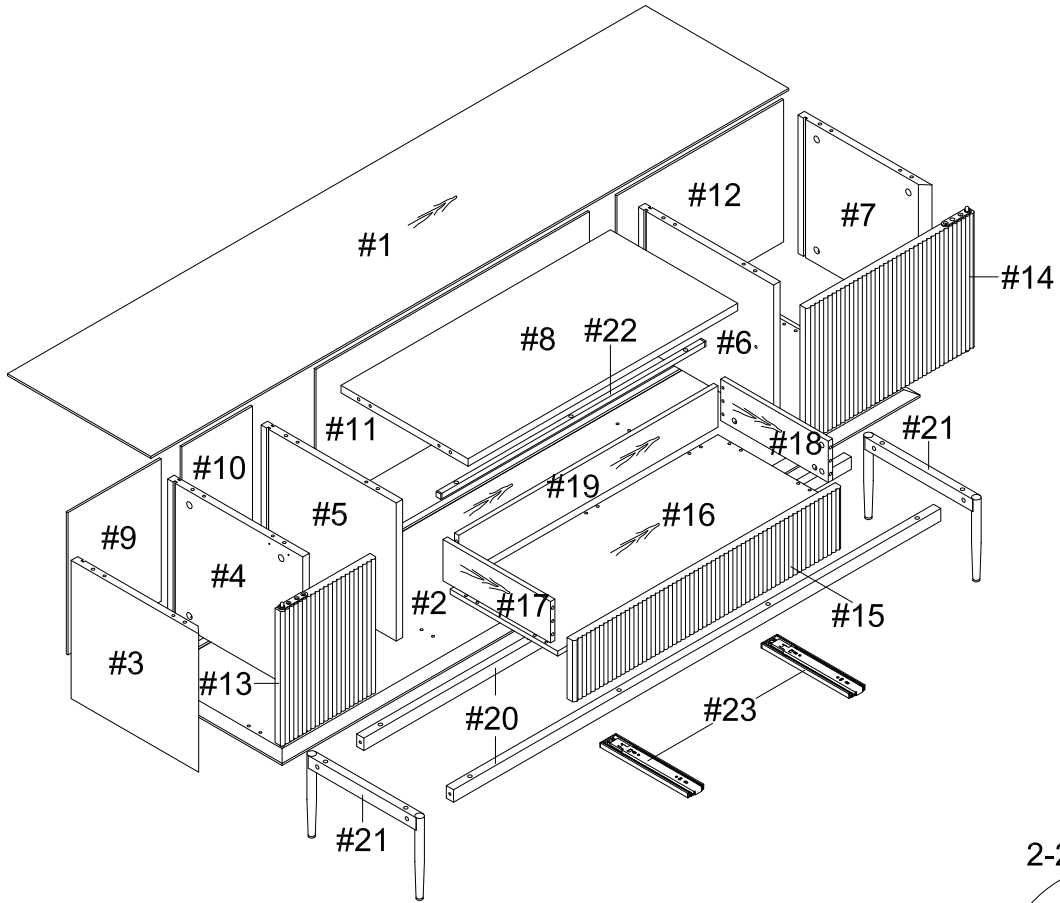


Screw M3x10

ASSEMBLY INSTRUCTIONS

1

Exploded View



2

Part #5 x 1pc

Part #6 x 1pc

Part #8 x 1pc

Part #22 x 1pc

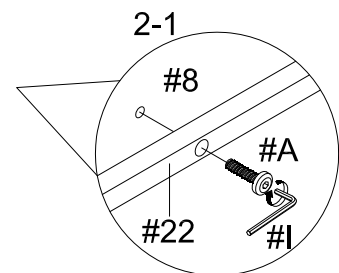
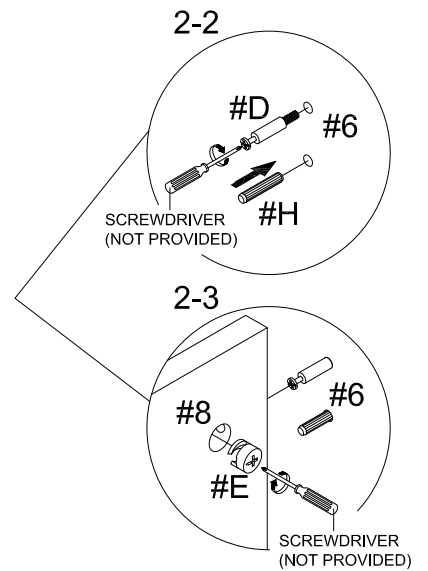
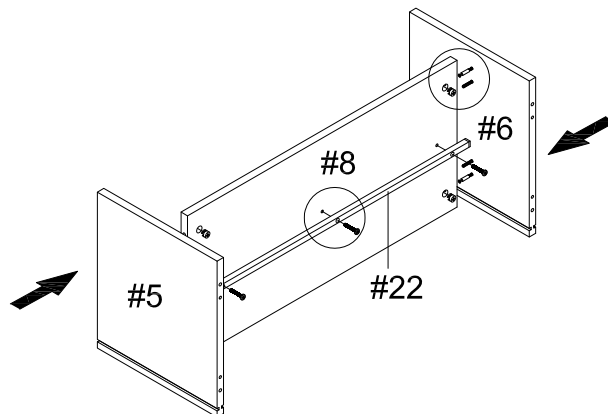
Hardware #A x 3pcs

Hardware #D x 4pcs

Hardware #E x 4pcs

Hardware #H x 4pcs

Hardware #I x 1pc

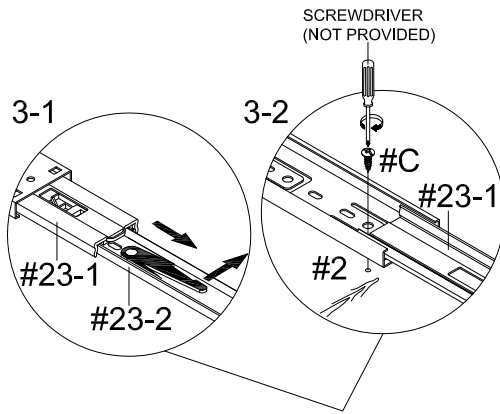


- I. Secure the Stop Tube (#22) to the Drawer Top Board (#8) by using Bolt (#A).
- II. Prepare Up-right Boards (#5,#6) by inserting Cam bolts (#D) and Wooden Dowels (#H) as shown in the diagram.
- III. Align the Drawer Top Board (#8) to the Up-right Boards (#5,#6) secure by using the cam connectors (#E).

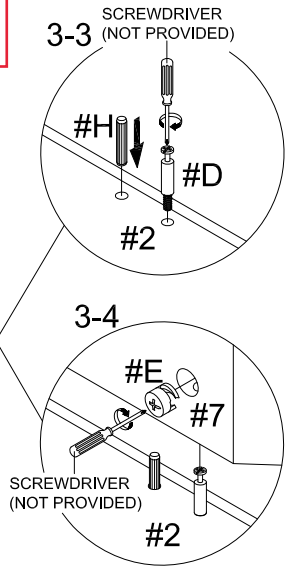
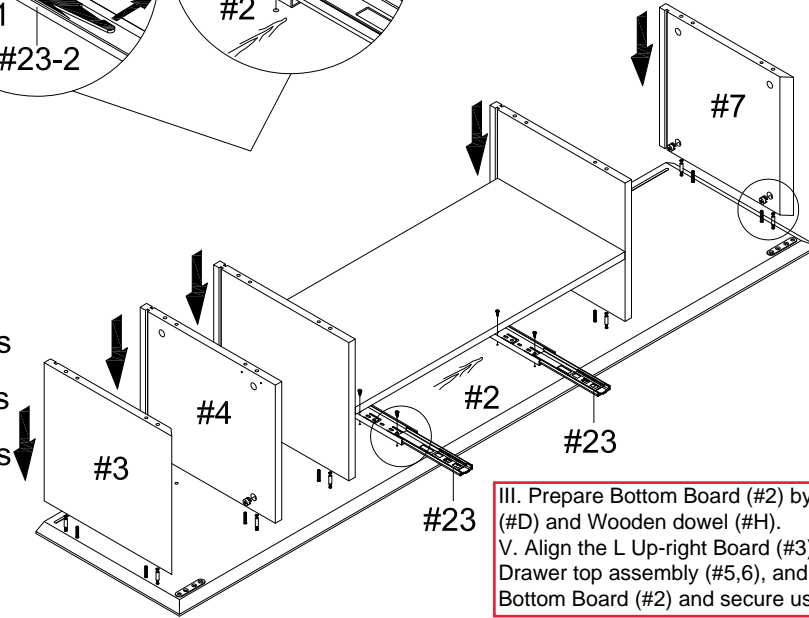
ASSEMBLY INSTRUCTIONS

3

- Part #2 x 1pc
- Part #3 x 1pc
- Part #4 x 1pc
- Part #7 x 1pc
- Part #23 x 2pcs
- Hardware #C x 4pcs
- Hardware #D x 10pcs
- Hardware #E x 10pcs
- Hardware #H x 10pcs



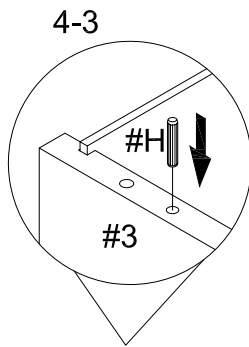
I. Extend the rail from the ball bearing slide out. Press the the lever to the side to release part (#23-2).
 II. Flip and align the slide (#23-1) to the Bottom Board (#2) and secure by using screw (#C).



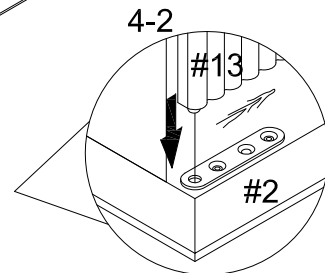
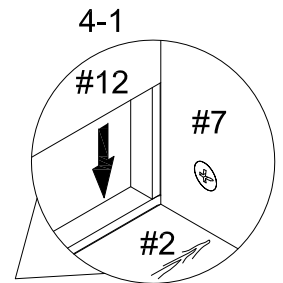
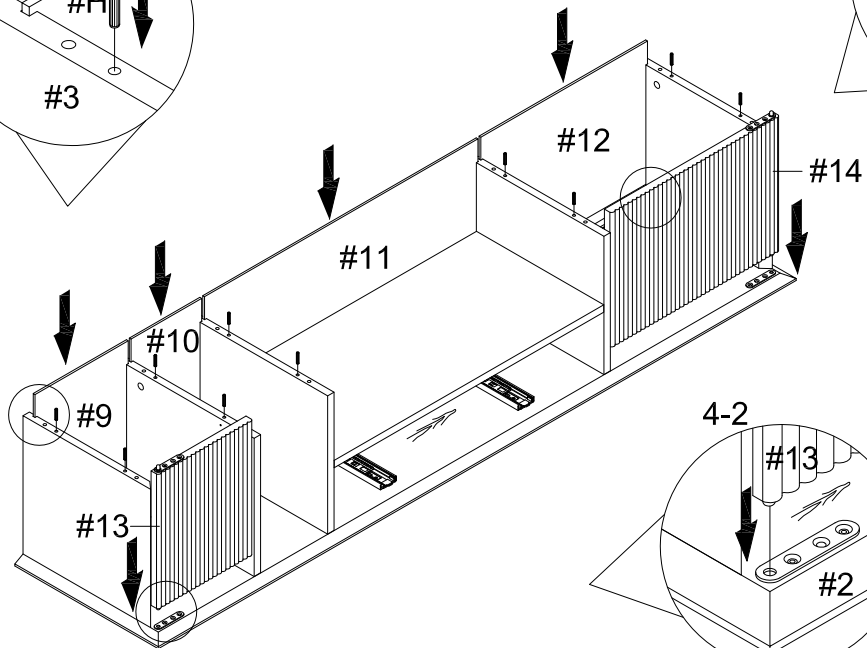
III. Prepare Bottom Board (#2) by attaching the cam bolts (#D) and Wooden dowel (#H).
 V. Align the L Up-right Board (#3), Up- right Board (#4), the Drawer top assembly (#5,6), and R Up-right Board (#7) to the Bottom Board (#2) and secure using Cam locks (#E).

4

- Part #9 x 1pc
- Part #10 x 1pc
- Part #11 x 1pc
- Part #12 x 1pc
- Part #13 x 1pc
- Part #14 x 1pc
- Hardware #H x 10pcs



I. Insert the Backboards #12, #11, #10, and #9 into the ridges as shown.
 II. Align and secure the L door (#13) and R door (#14) to the Bottom Board (#2).
 III. Insert Wooden Dowel (#H) into panels (#2, #4, #5, #6, and #7).

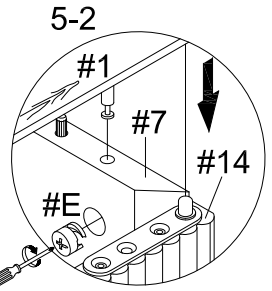
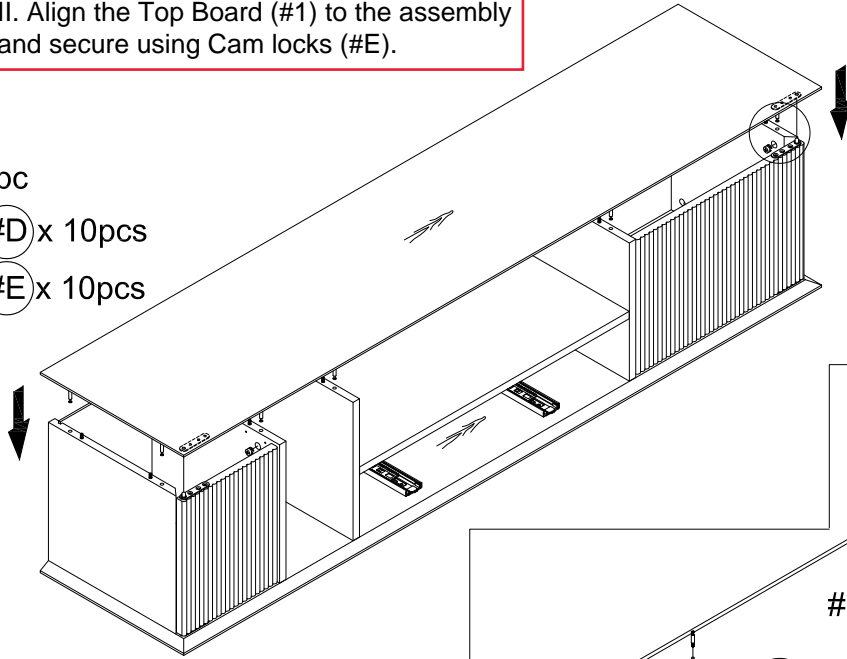


ASSEMBLY INSTRUCTIONS

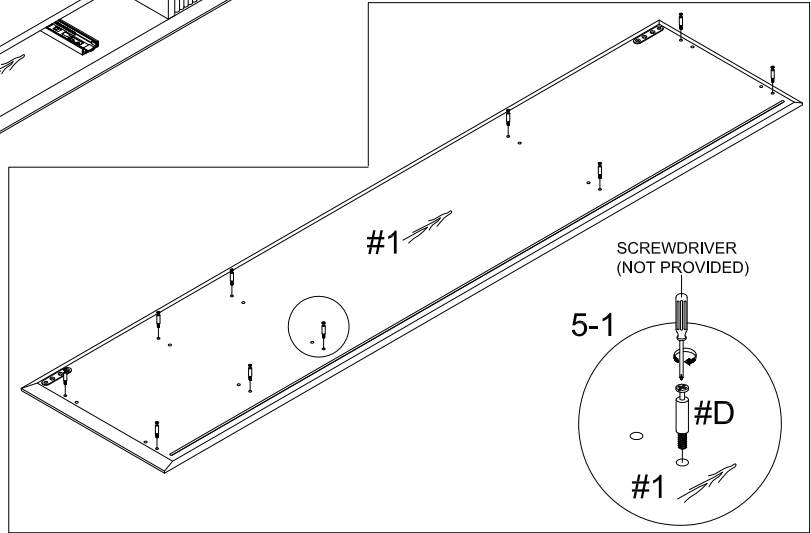
- I. Prepare Top Board (#1) by inserting cam bolts (#D).
 II. Align the Top Board (#1) to the assembly and secure using Cam locks (#E).

5

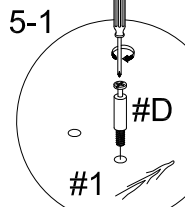
- Part #1 x 1pc
 Hardware #D x 10pcs
 Hardware #E x 10pcs



SCREWDRIVER
(NOT PROVIDED)

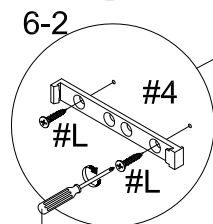
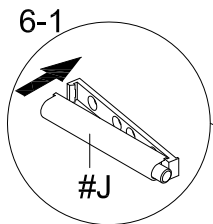
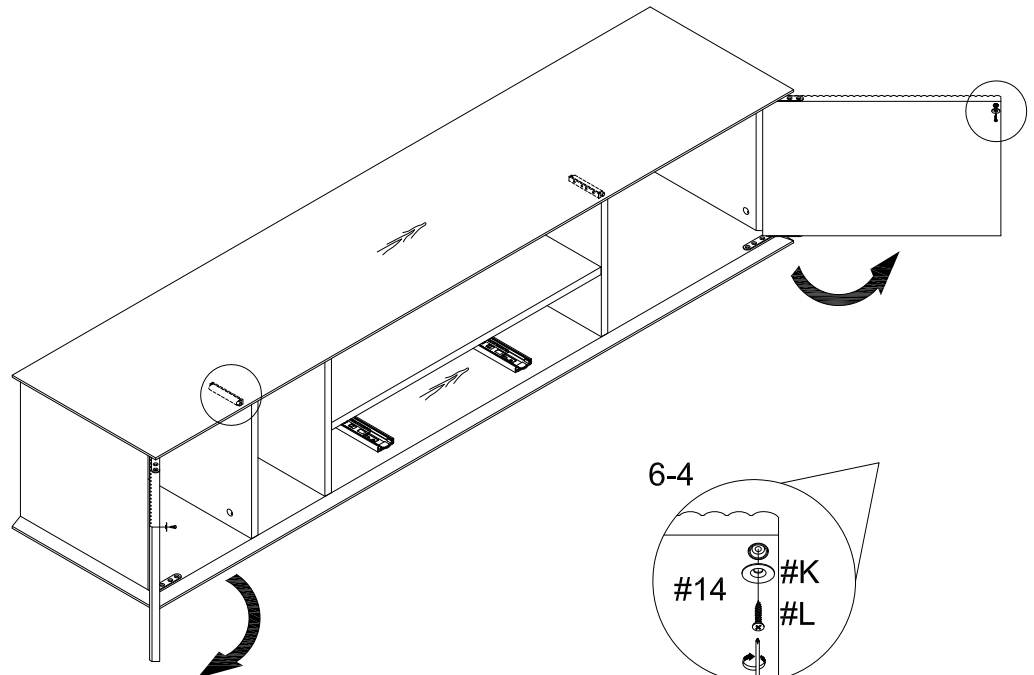


SCREWDRIVER
(NOT PROVIDED)

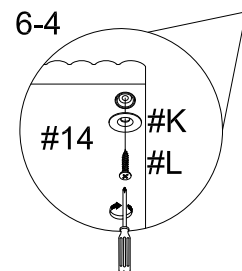
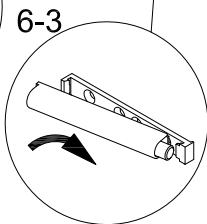


6

- Hardware #J x 2pcs
 Hardware #K x 2pcs
 Hardware #L x 6pcs



SCREWDRIVER
(NOT PROVIDED)



SCREWDRIVER
(NOT PROVIDED)

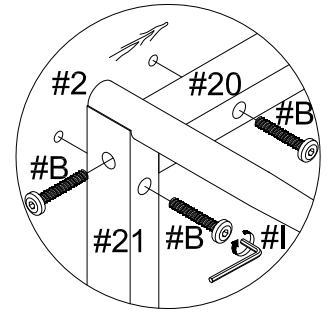
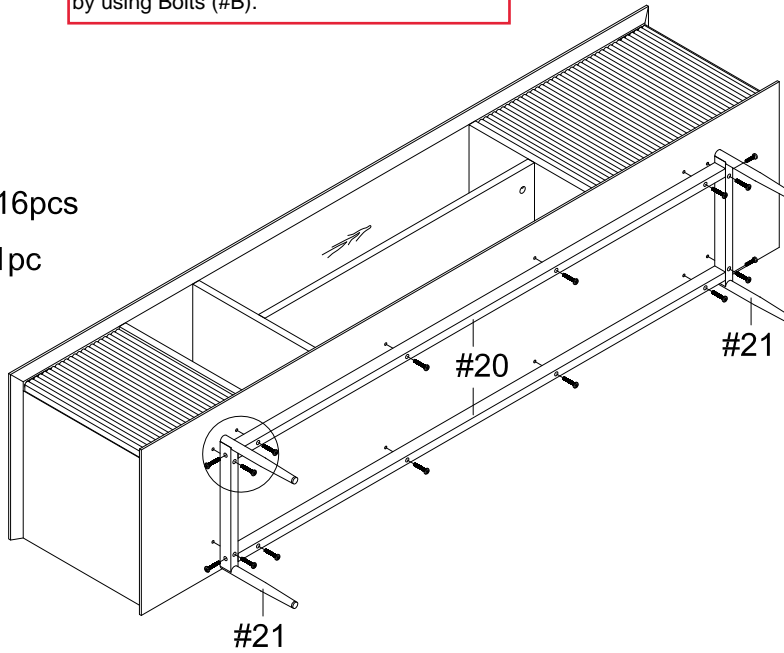
- I. Remove cap from Tip on (#J).
 II. Align bottom pieces of Tip on (#J) to panel (#4) and panel (#6) and secure by using Screw (#L).
 III. Attach cap back on.
 IV. Insert Screw (#L) with washer (#K) onto the doors (#13,#14).

ASSEMBLY INSTRUCTIONS

7

Secure the support tube (#20) to the Bottom Board (#2) by using Bolts (#B). Align and secure Legs (#21) to the support tube (#20) by using Bolts (#B).

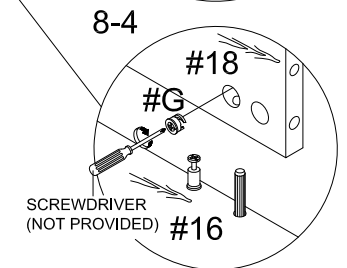
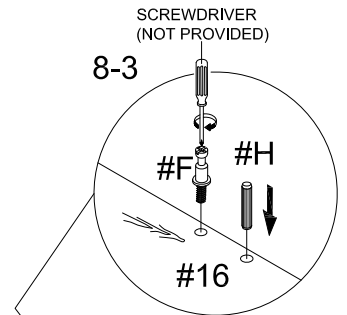
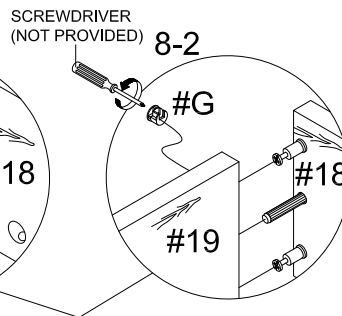
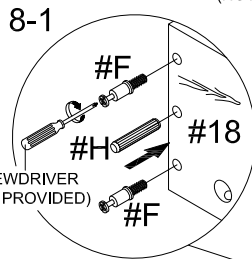
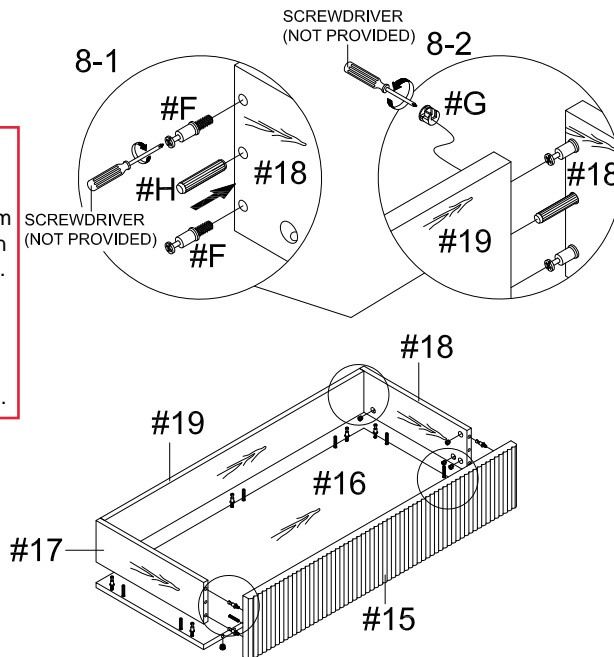
- Part #20 x 2pcs
- Part #21 x 2pcs
- Hardware #B x 16pcs
- Hardware #I x 1pc



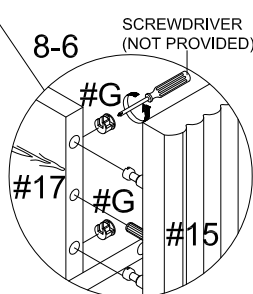
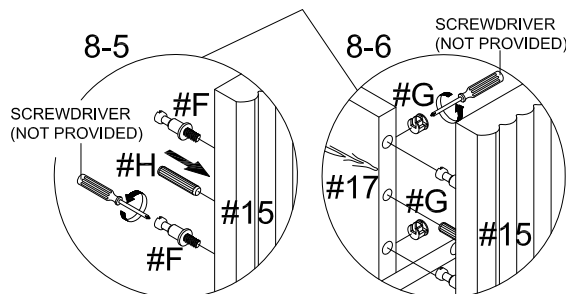
8

I. Prepare the L Drawer Board (#17) and R Drawer Board (#18) by inserting cam bolt (#F) and Wooden dowel (#H) as shown.
II. Attach Drawer Boards (#17,#18) to the B Drawer Board (#19) and secure using cam locks (#G).

- Part #15 x 1pc
- Part #16 x 1pc
- Part #17 x 1pc
- Part #18 x 1pc
- Part #19 x 1pc
- Hardware #F x 18pcs
- Hardware #G x 18pcs
- Hardware #H x 14pcs



V. Prepare the Drawer surface (#15) with cam bolts (#F) and wooden dowels (#H).
VI. Align and secure to Drawer Boards (#17,#18) by using cam locks (#G).

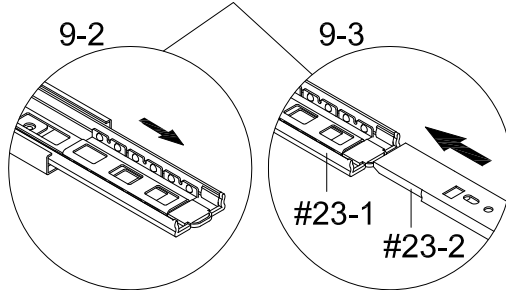
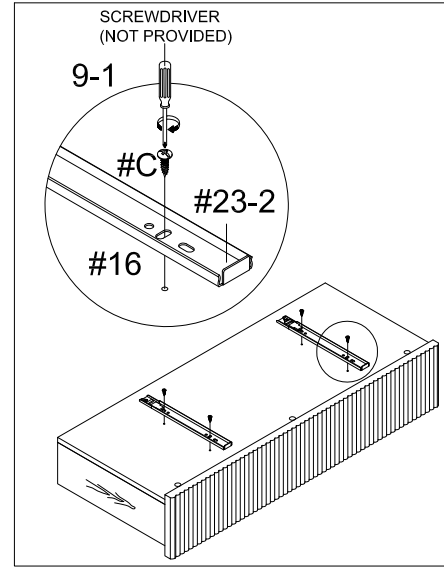
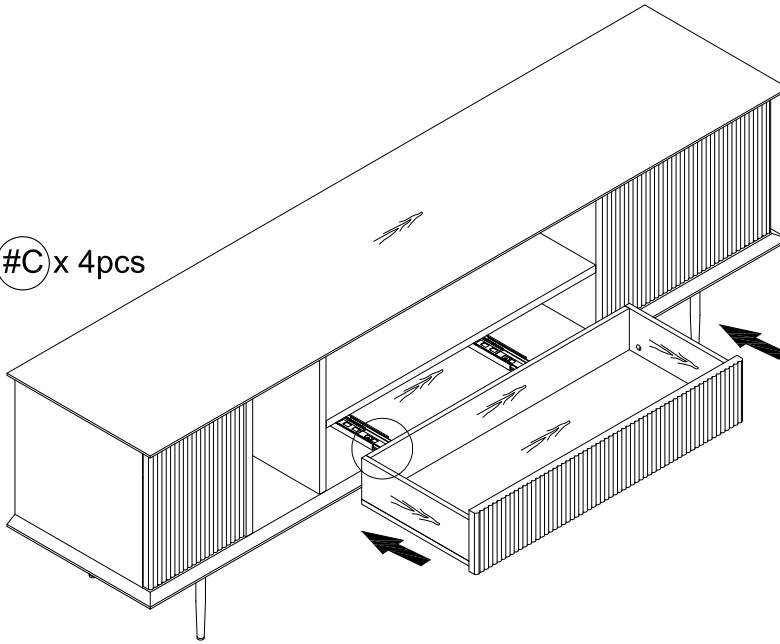


III. Prepare Drawer Bottom (#16) with Cam bolts (#F) and wooden dowels (#H).
IV. Align Drawer board assembly (#17,18,19) to the Drawer Bottom (#16) and secure using cam locks (#G).

ASSEMBLY INSTRUCTIONS

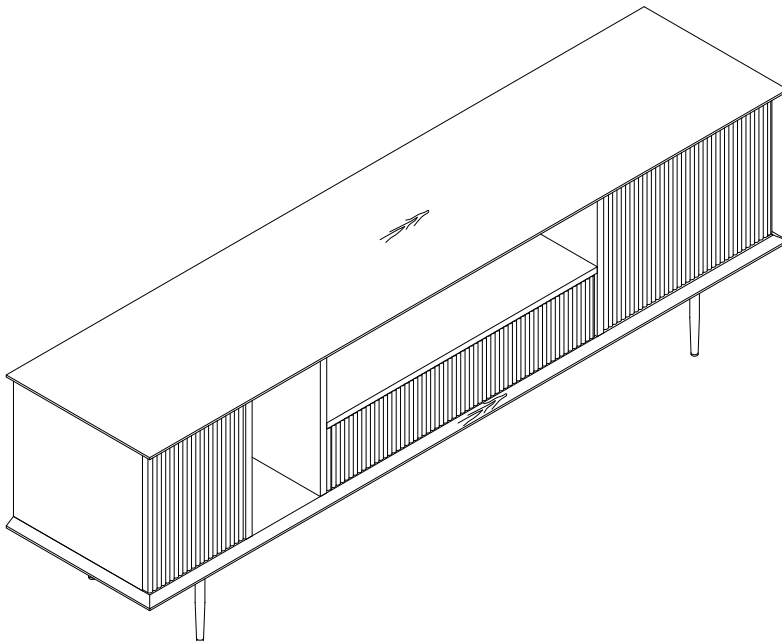
9

Hardware #C x 4pcs



- I. Attach and secure rail (#23-2) to the Drawer Bottom (#16).
- II. Extend slide all the way out to insert rail.
- III. Insert rail (#23-2) back into Ball bearing slide (#23-1).

10



ASSEMBLY COMPLETED



Please ensure the furniture rests on an even and flat surface. If the product wobbles or feels loose, double-check all bolts and/or screws are properly tightened and secured.



Keep this handy!

Please retain this instruction manual and any order-related information for future reference.



Lift, don't drag!

To avoid damage to product please always LIFT the product when transporting or adjusting the placement.