

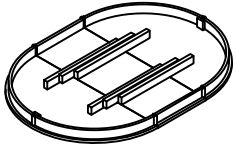
# ASSEMBLY INSTRUCTION

## Important note:

1. Place all wooden parts on a clean and smooth surface such as a rug or carpet to avoid scratching the parts.
2. Kindly follow the assembly instructions step by step.
3. Do not tighten all screws and bolts until the table is fully assembled.
4. Unscrew the protective plastique supports from the metal insert of the table legs before assembly.

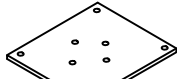
## PARTS IDENTIFICATION

**A** Table Top



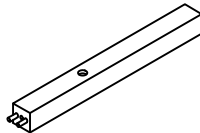
1pc

**B** Mounting Plate



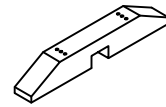
1pc

**C** Pedestal



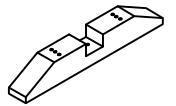
4pcs

**D** Table Base



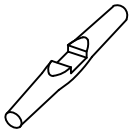
1pc

**E** Table Base



1pc

**F** stretcher



2pcs

## HARDWARE IDENTIFICATION

**1** Long Bolt

Ø5/16"x75mm



5pcs

**2** Bolt

Ø5/16"x50mm



8pcs

**3** Spring Washer

Ø5/16"x11mm



13pcs

**4** Flat Washer

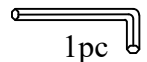
Ø5/16"x19mm



13pcs

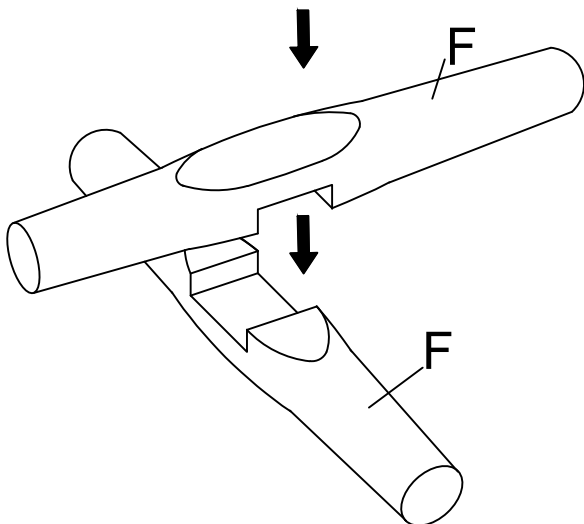
**5** Allen Key

M4

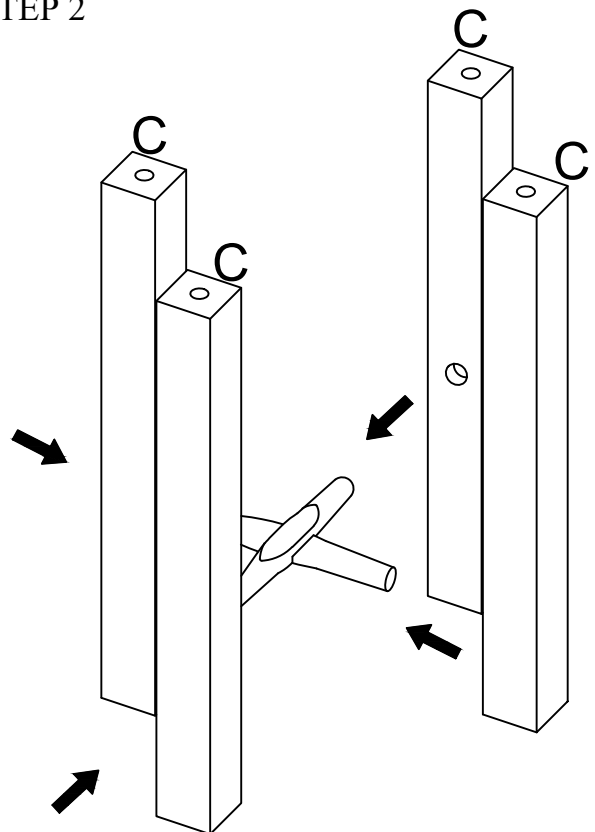


1pc

## STEP 1

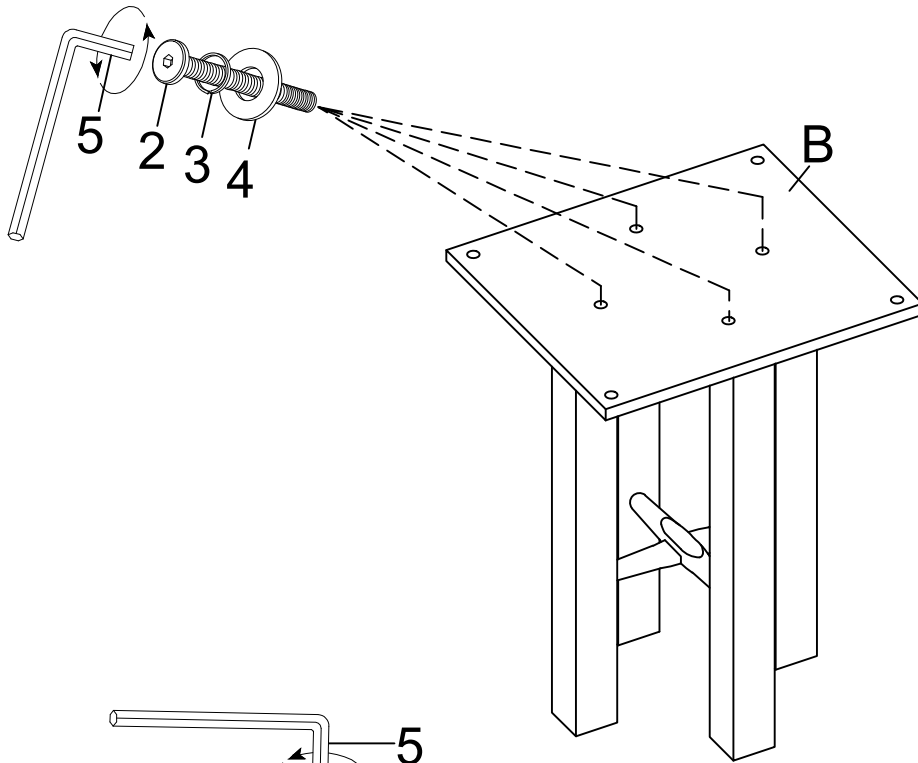


## STEP 2

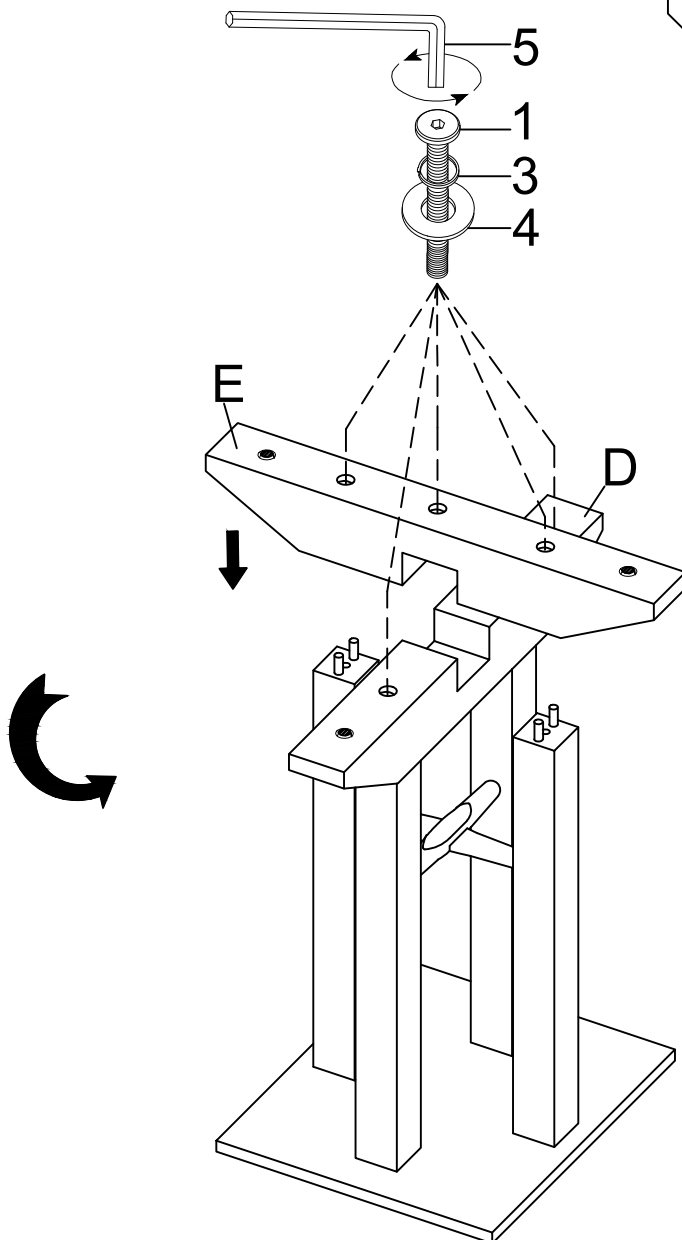


# ASSEMBLY INSTRUCTION

STEP 3

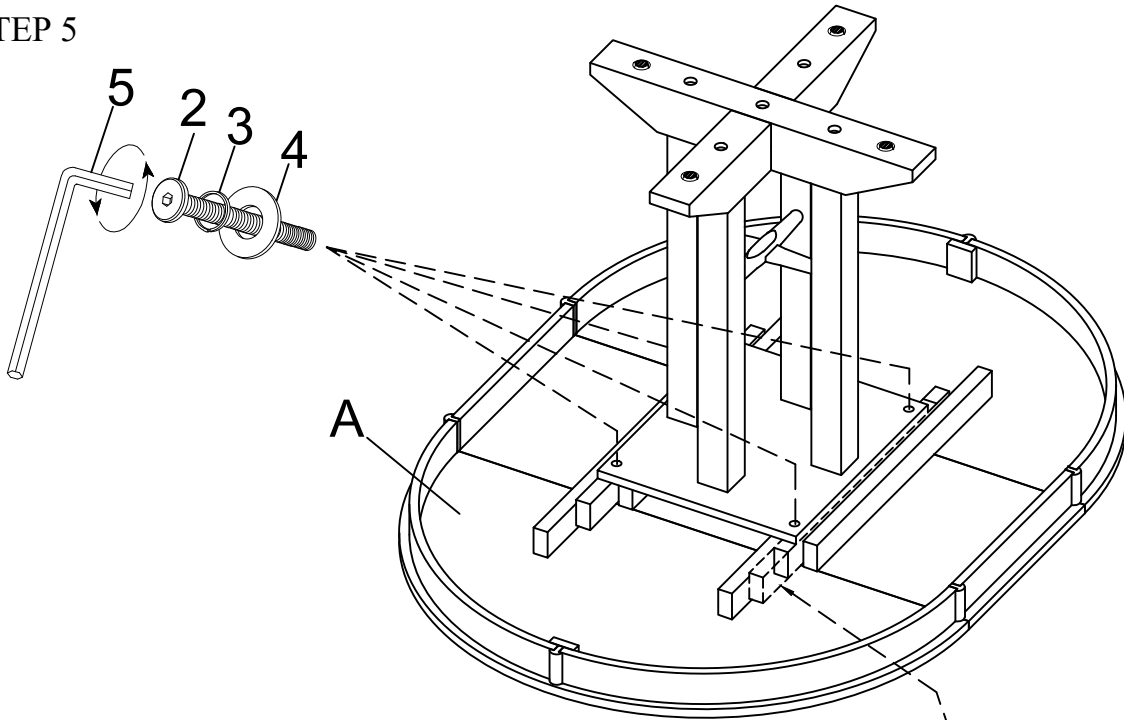


STEP 4



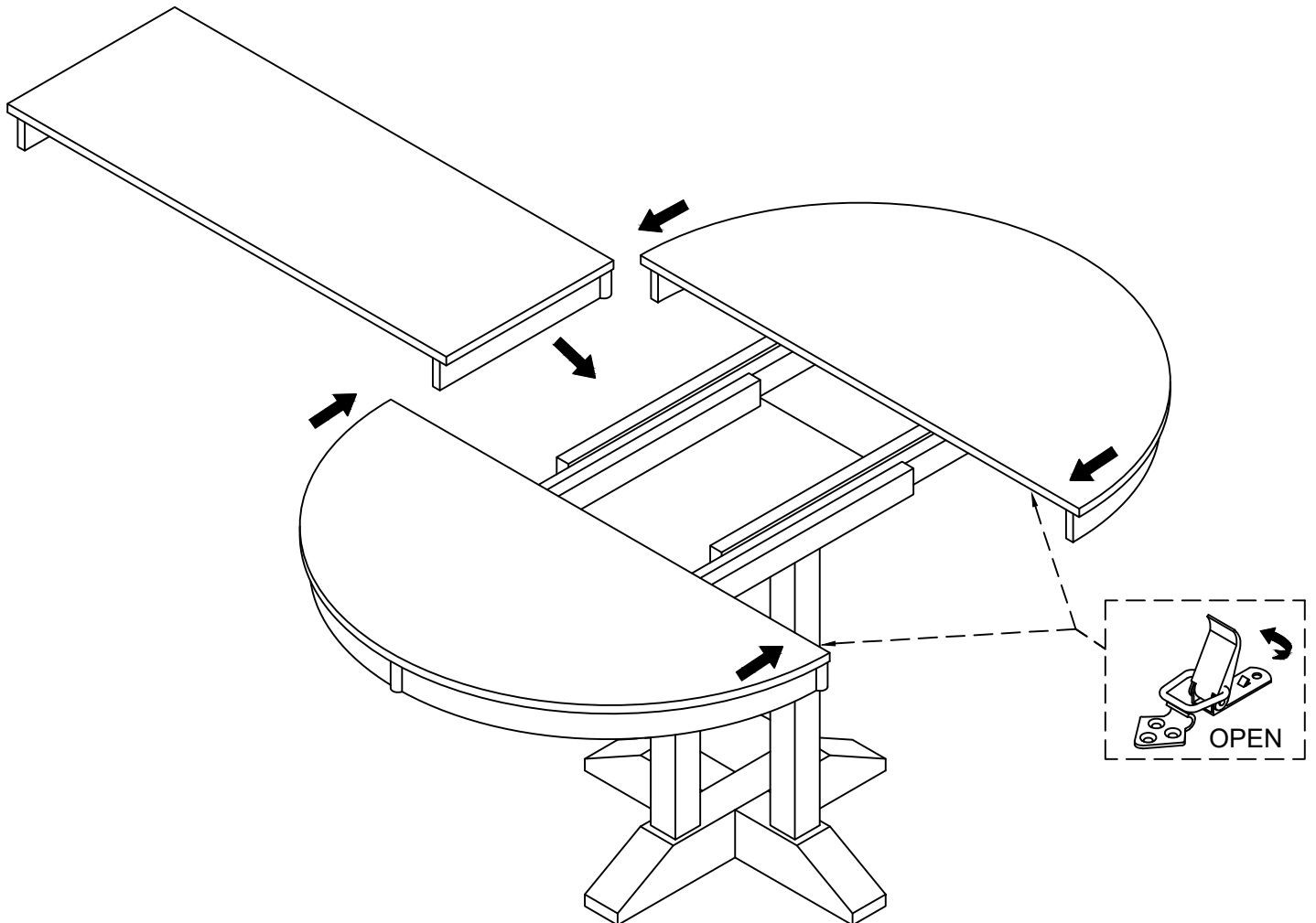
# ASSEMBLY INSTRUCTION

## STEP 5



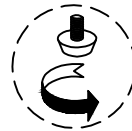
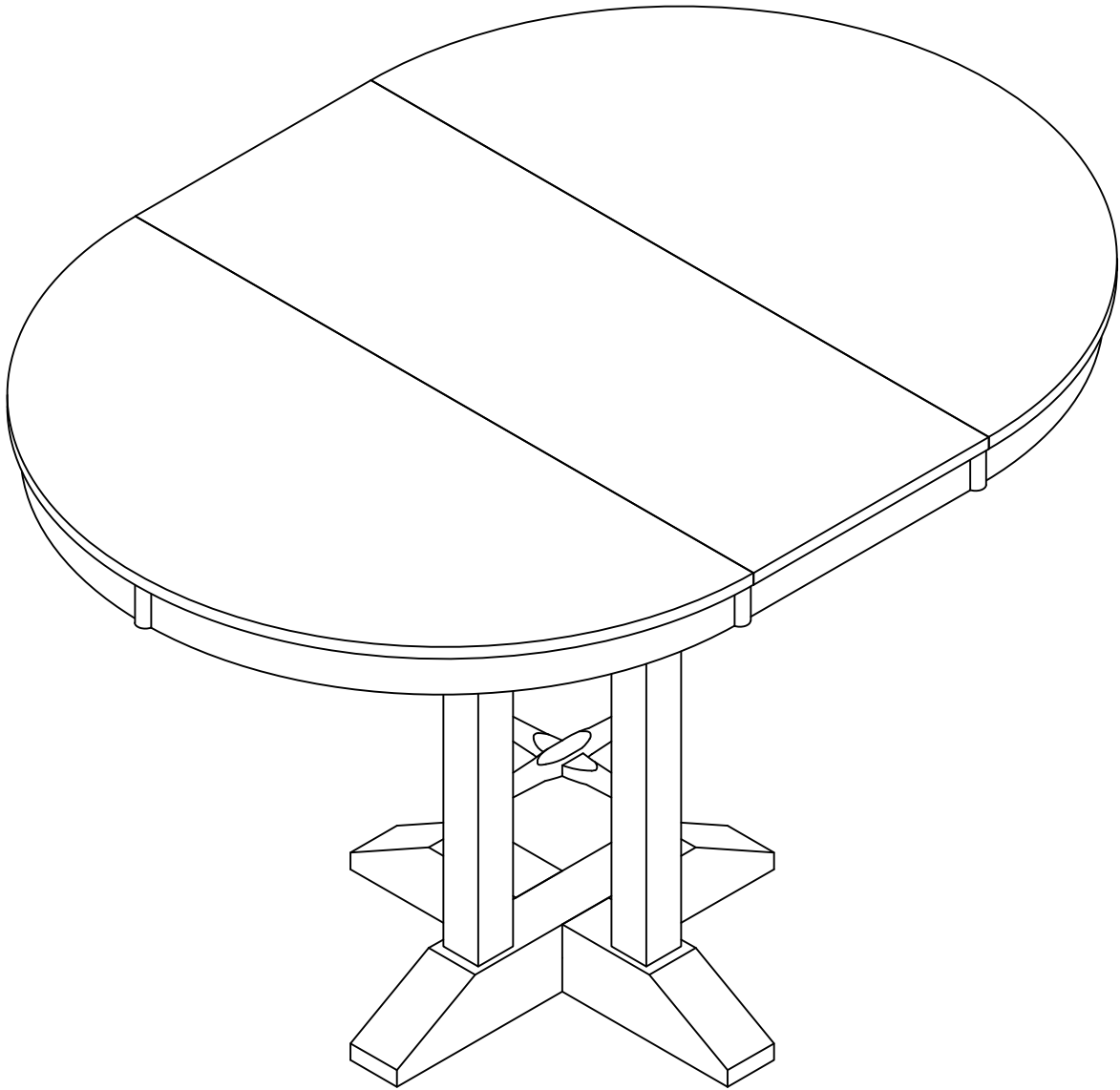
**This part of the slide rail can be moved, if the holes are not aligned during the assembly process, please try to move the slide rail to the position shown in the figure and then assemble !**

## STEP 6



# ASSEMBLY INSTRUCTION

COMPLETE



Adjust Leveler=4pcs.

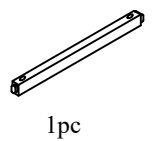
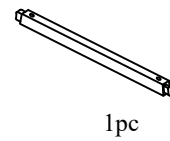
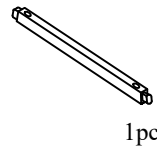
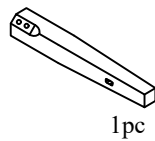
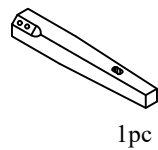
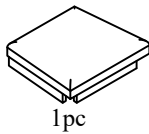
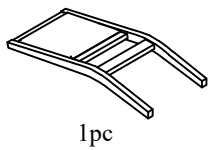
# ASSEMBLY INSTRUCTION

## Important note:

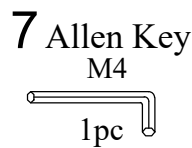
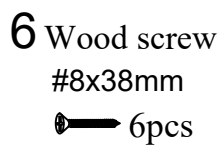
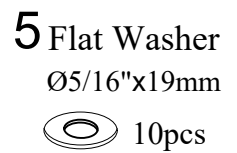
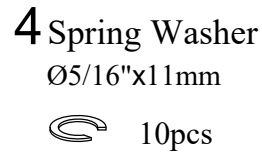
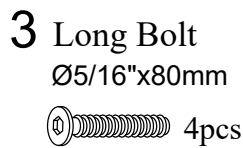
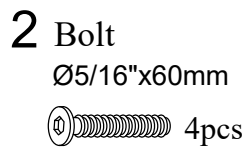
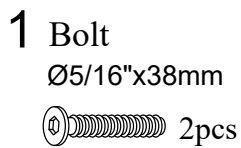
1. Place all wooden parts on a clean and smooth surface such as a rug or carpet to avoid scratching the parts.
2. Kindly follow the assembly instructions step by step.
3. Do not tighten all screws and bolts until the table is fully assembled.
4. Unscrew the protective plastique supports from the metal insert of the legs before assembly.

## PARTS IDENTIFICATION

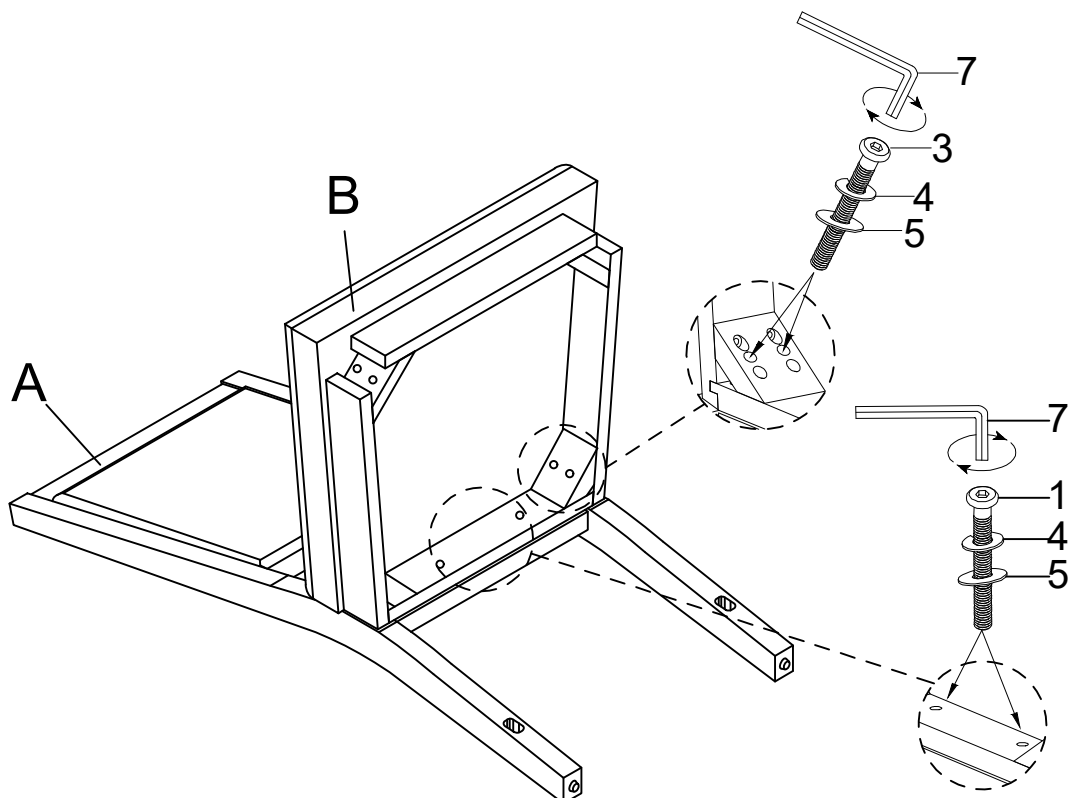
**A** Chair Back    **B** Seat cushion    **C** Left Leg    **D** Right Leg    **E** Left Stretcher    **F** Right Stretcher    **G** Center Stretcher



## HARDWARE IDENTIFICATION

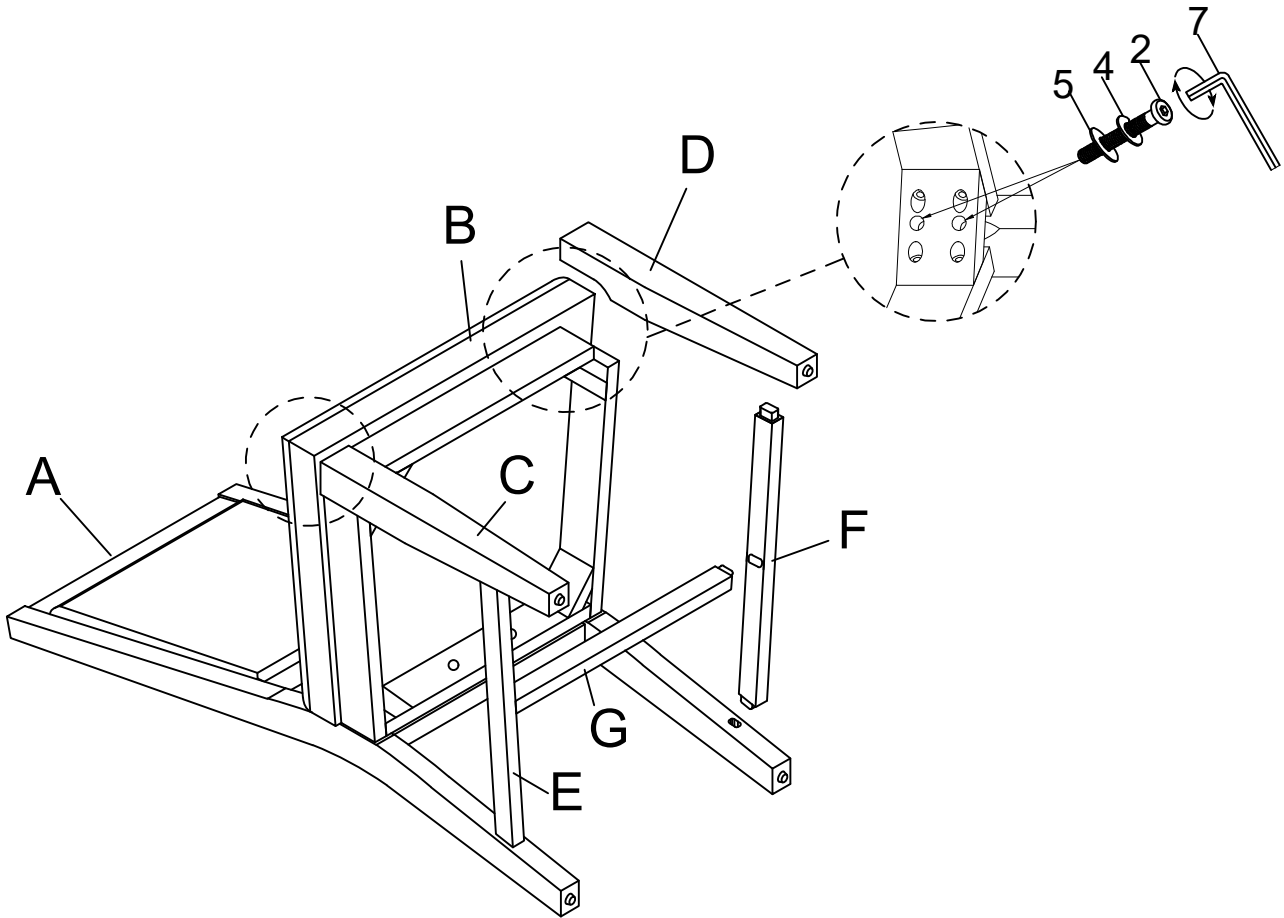


## STEP 1

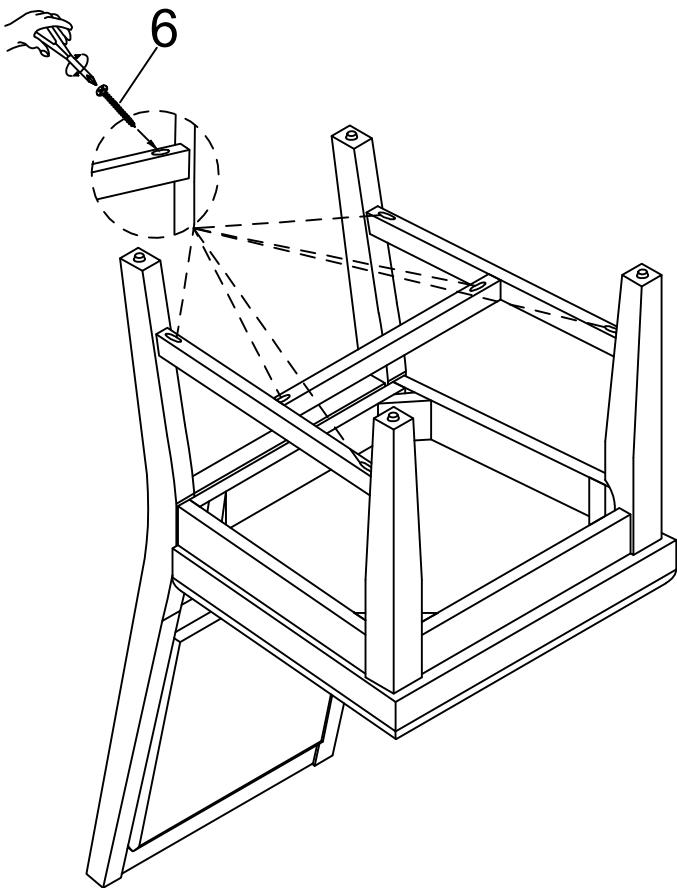


# ASSEMBLY INSTRUCTION

## STEP 2



## STEP 3



## COMPLETE

