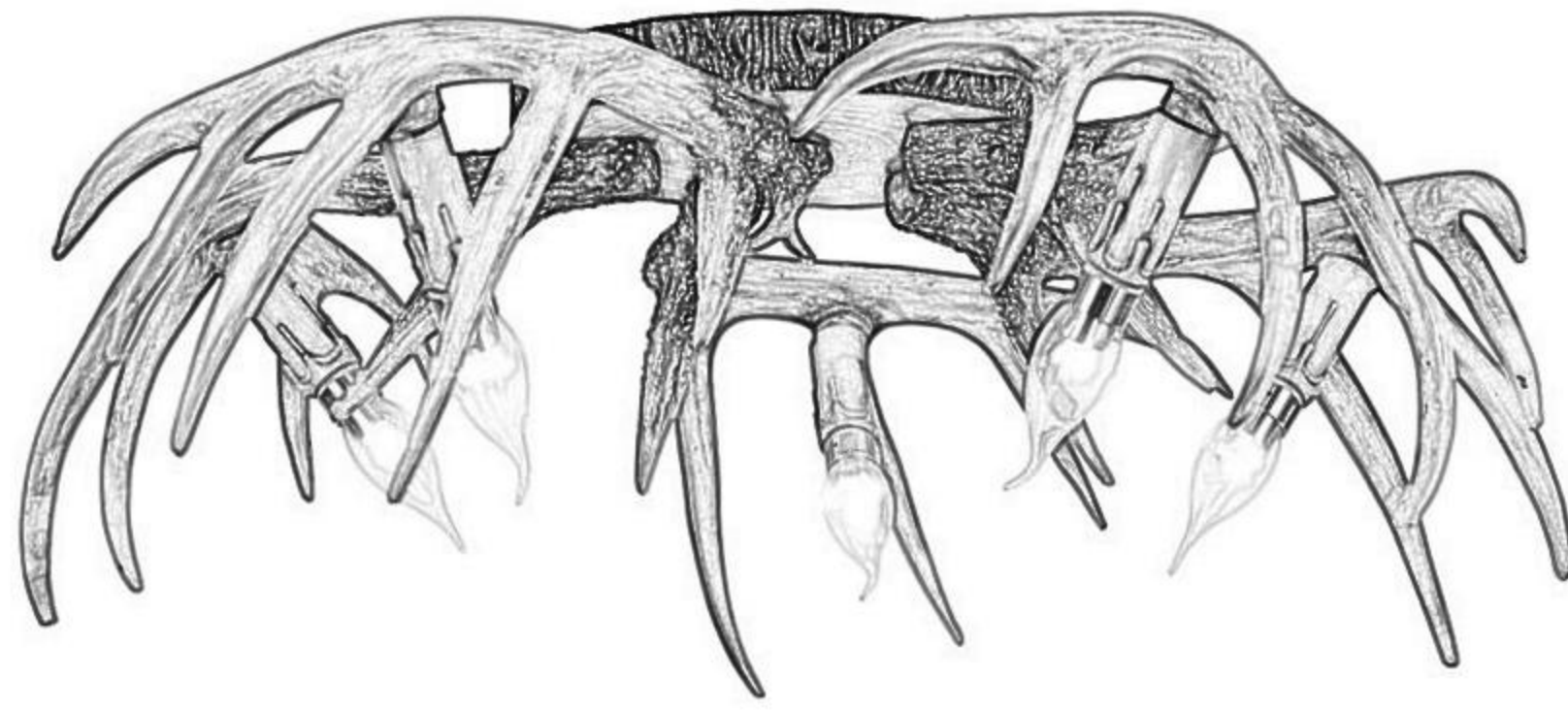


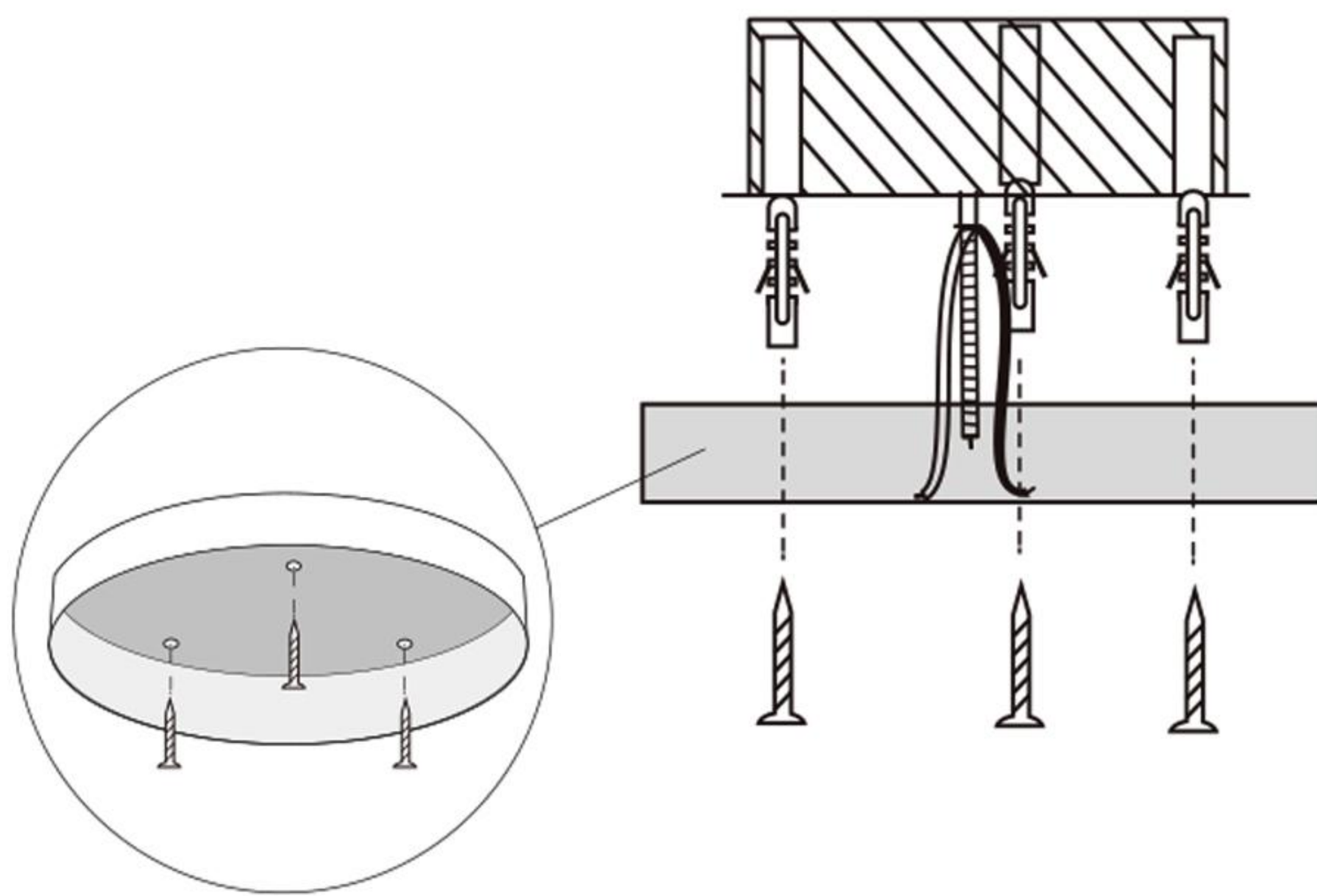
Assembly Instruction Sheet for Model HL517359

Package Contents



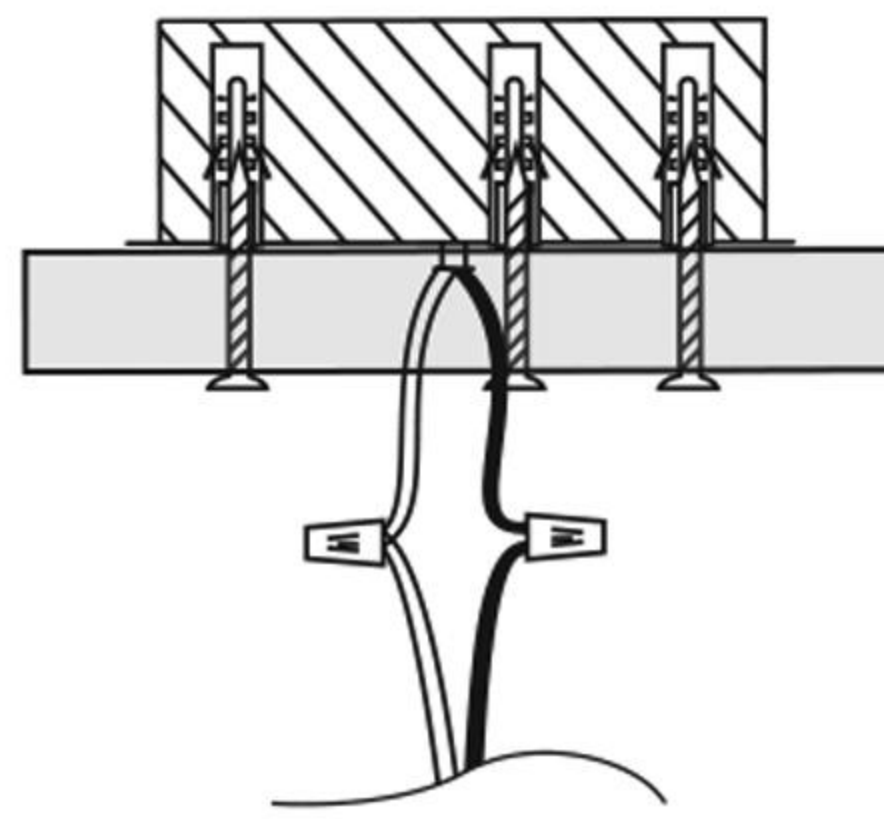
STEP 1

1. Use the mounting screws to attach the fixture onto the ceiling.



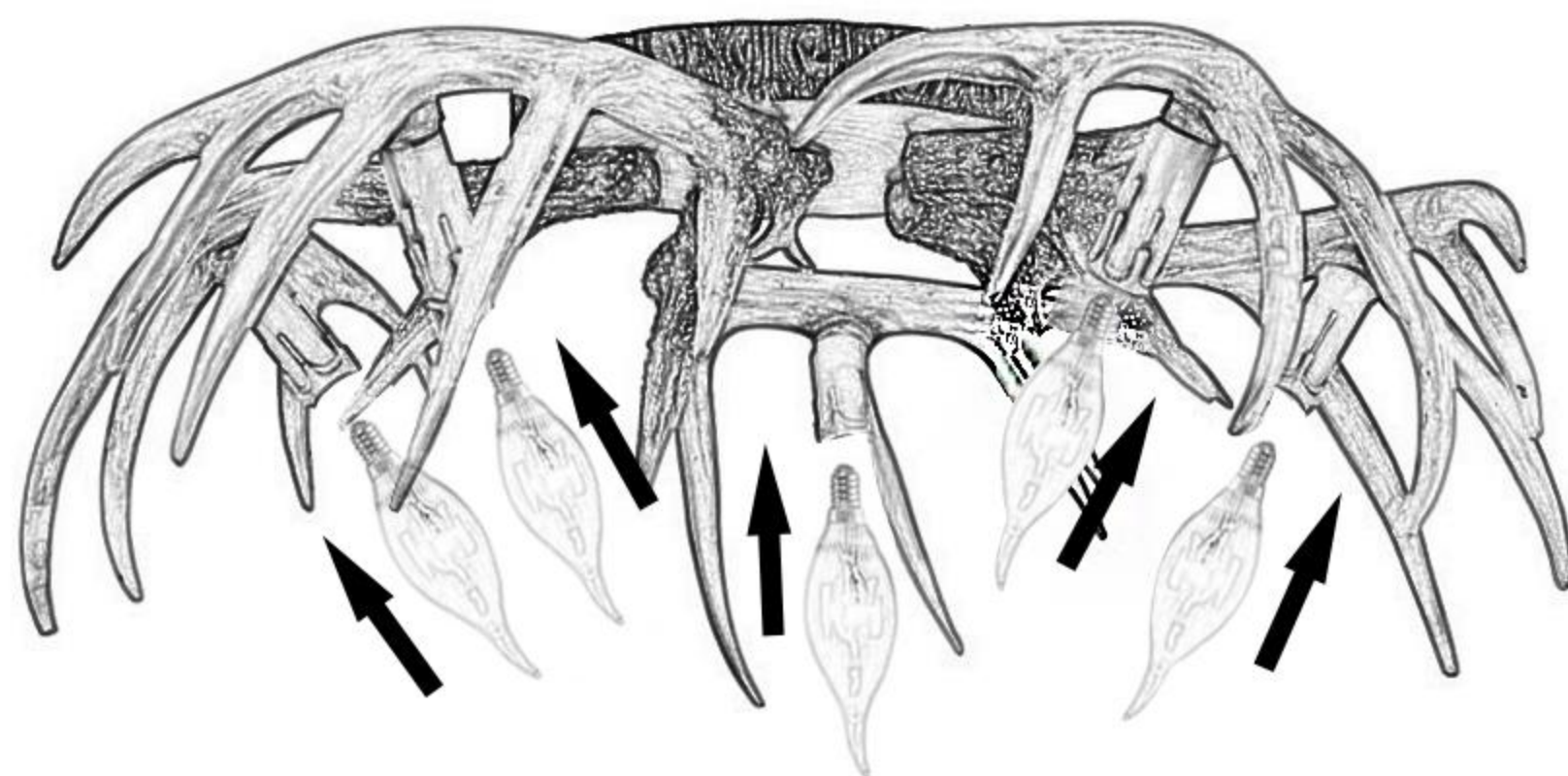
STEP 2

2. Make the electrical connection from ceiling to the fixture. Connect the ground wire with the ground wire from the ceiling. Then connect the live wire (firewire) from the fixture with the live wire from the ceiling by wire connector. Connect the naught wire from the fixture with the naught wire from the ceiling by wire connector. As follow the picture.



STEP 3

3. Install bulbs (not included). Please do not exceed the maximum capacity recommended on the socket.



Your fixture is now assembled and ready to use.