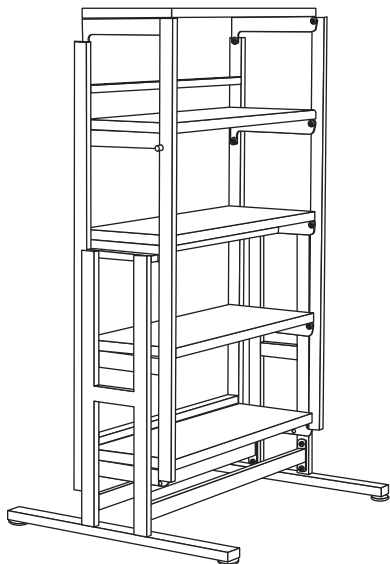


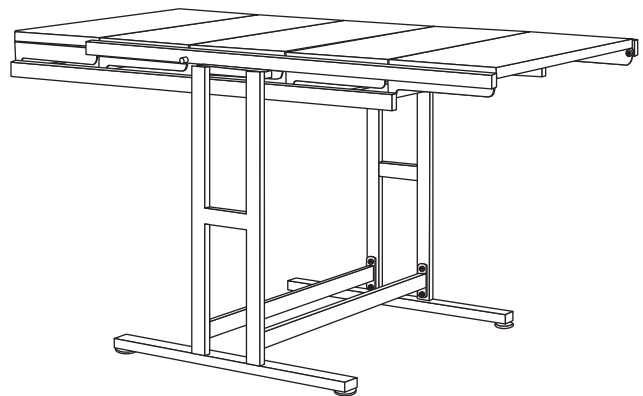
# Assemble instruction for Multi-function Table

**CAUTION:**

Two adults are required for assembly of this product on a clean, flat surface without a rough surface that could scratch the panels.

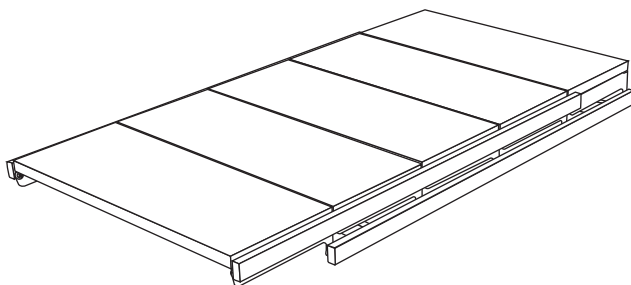


bookshelf

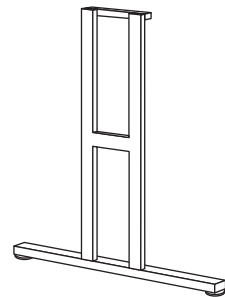


table

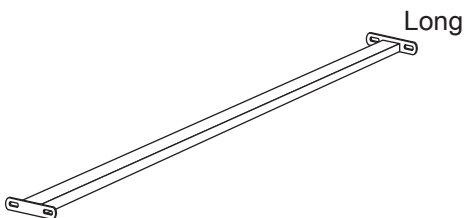
## Parts list



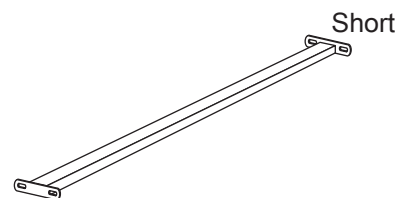
① 1 pc



② 2 pcs



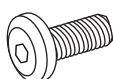
③ 2 pcs



④ 1 pc



⑤ 3 pcs



⑥ 16 pcs

spare part

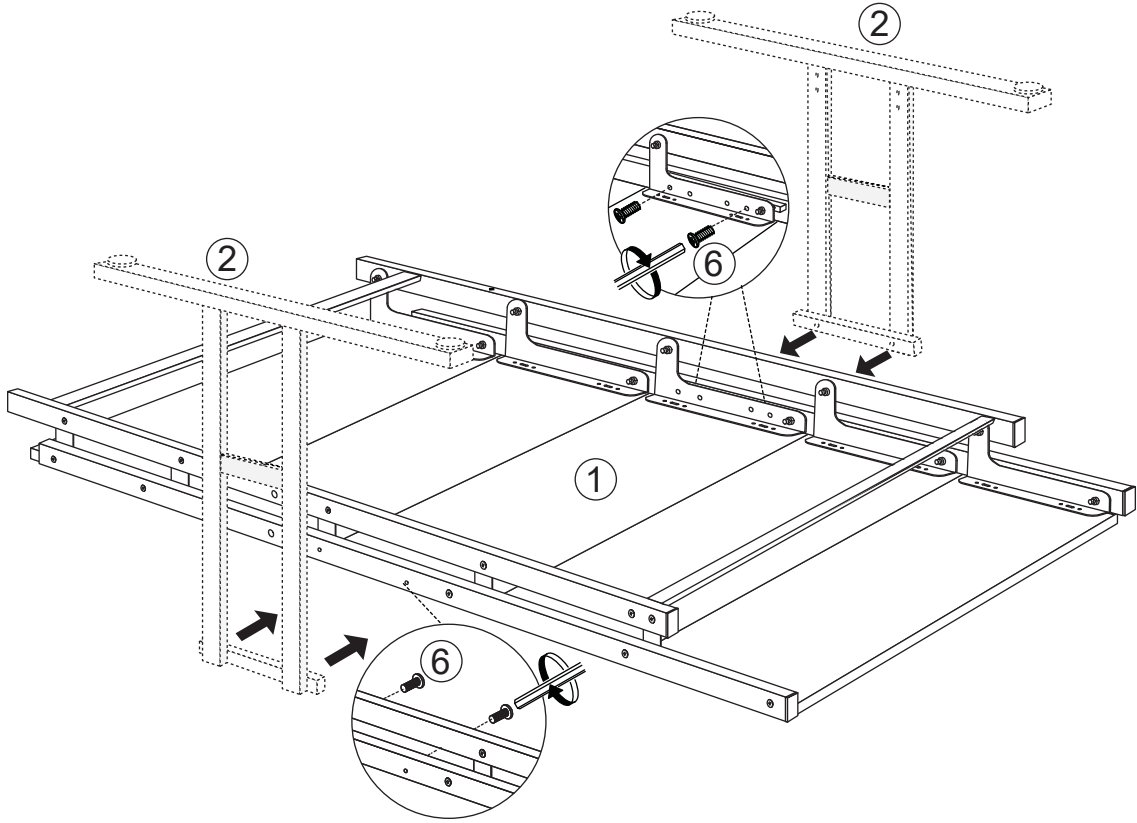


⑦ 2 pcs

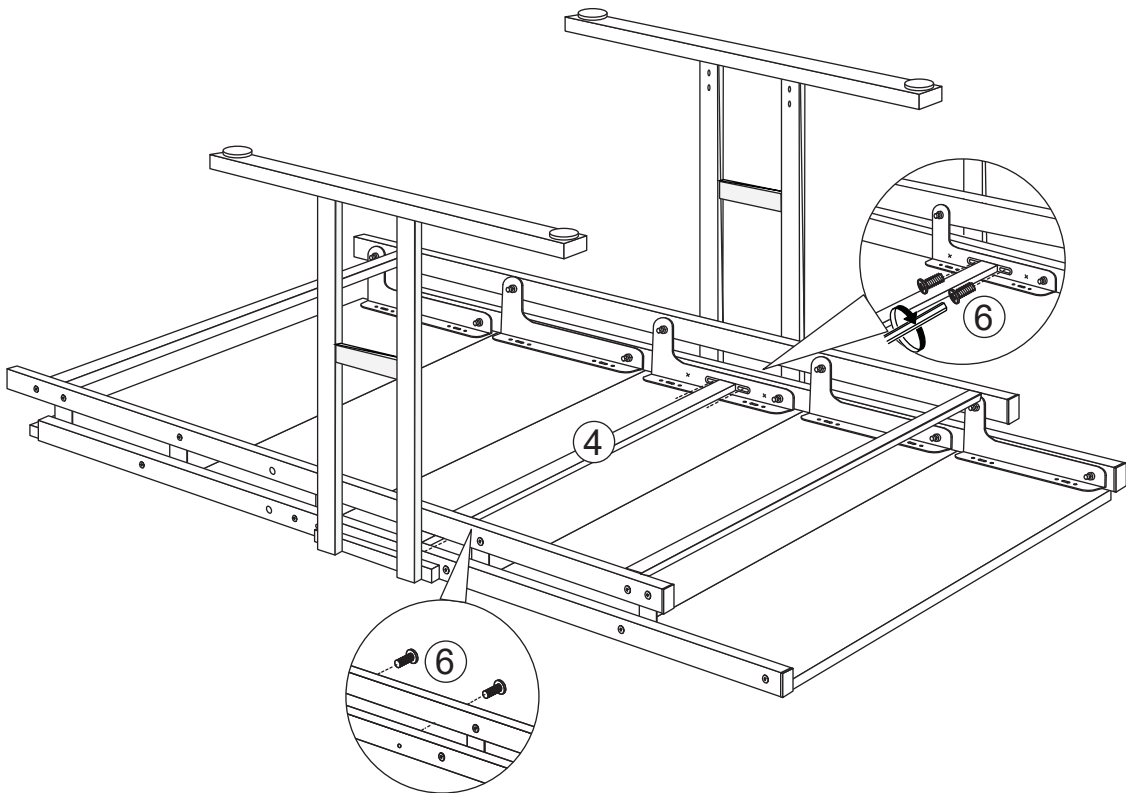
Tool Required



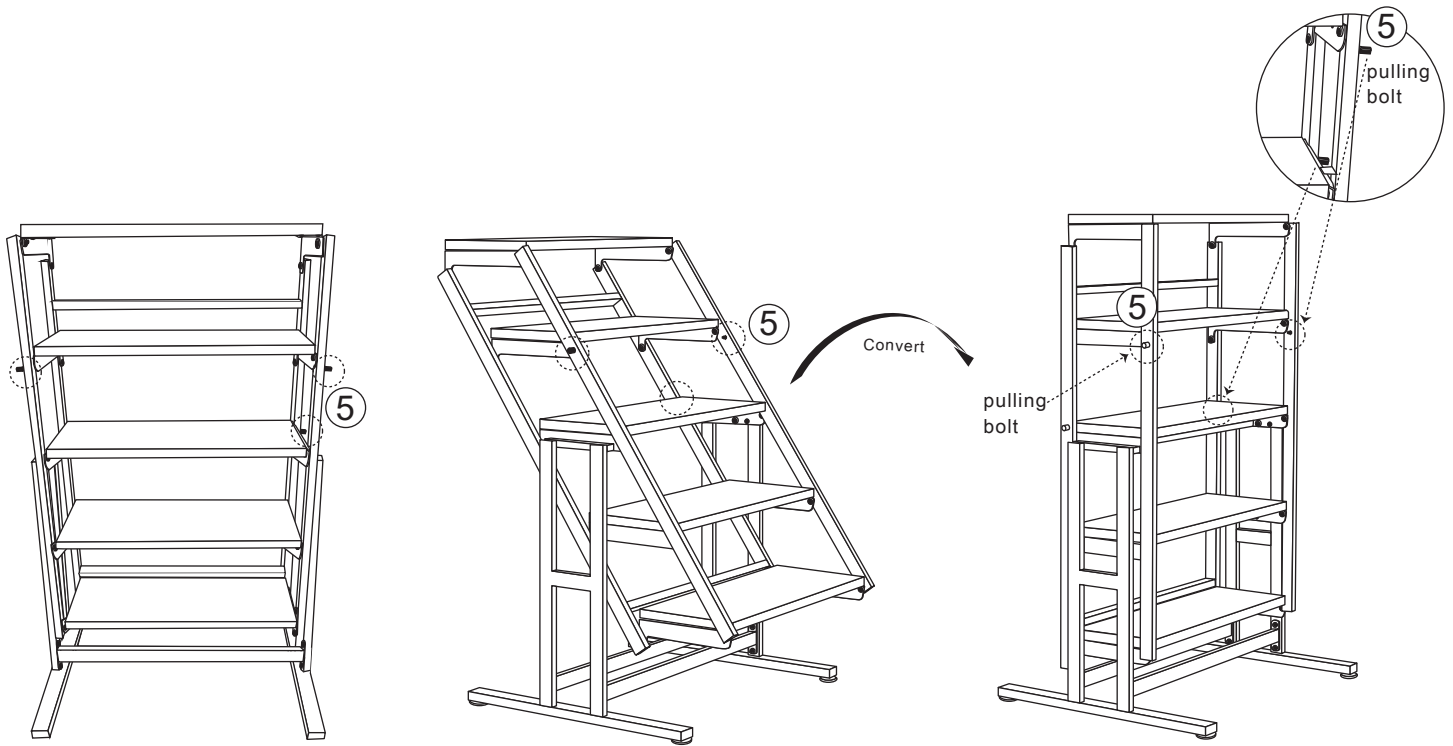
Step 1



Step 2

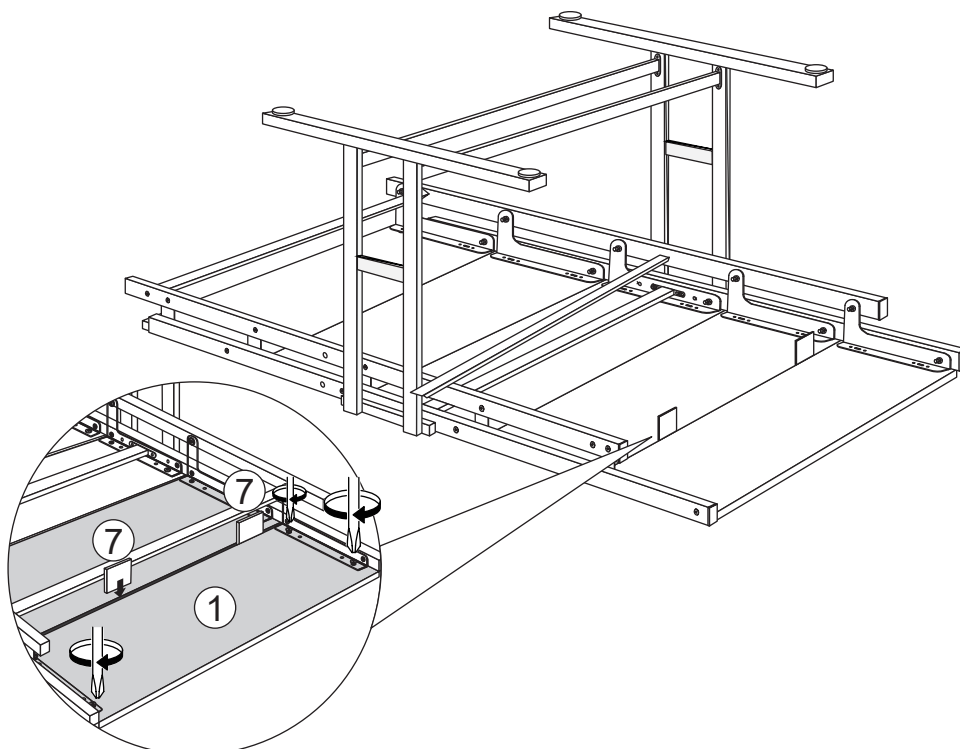






## Maintenances:

1. Do not use irritating or corrosive cleansers.
2. Please make sure the shelf bolts are fixed to avoid pinching or accident.
3. When used or converted must be done by adults, do not let the child close to avoid pinching or accident.



## Remarks:

If the panel is not flat or the gap is inconsistent, you can use the No. 7 board to insert between the panels to adjust



Tool Required