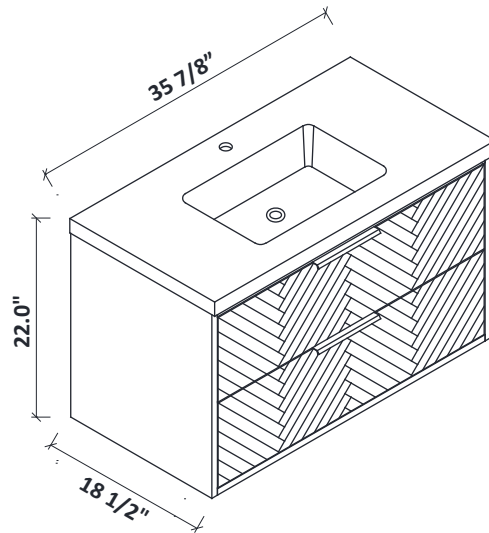
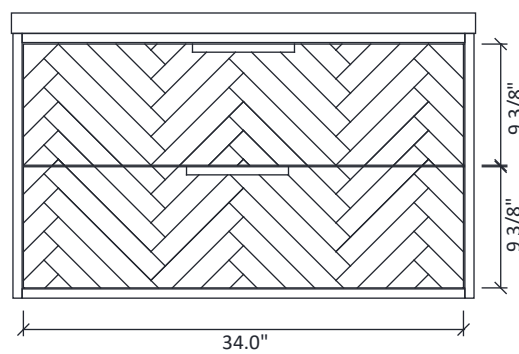
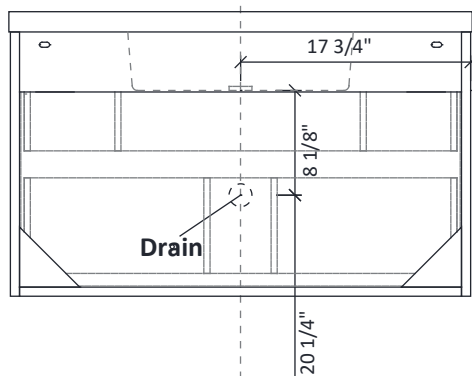
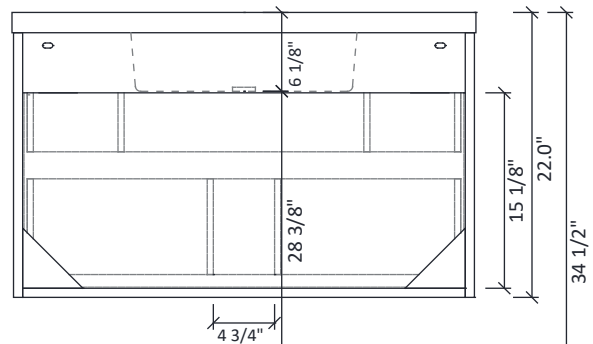
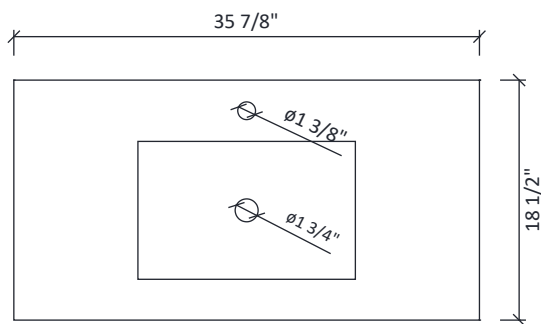


# S2405-36 Floating Vanity Installation Instruction



## DIMENSIONS



### **WARNING !**

*In the hole on the wall, please be sure to be careful to avoid the internal cables and pipelines.*

### **MATERIALS & TOOLS**



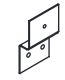


*Safety glasses, Pencil, Level, Tape measure, Stud Finder, Assorted screwdrivers, Assorted Wrenches, Drill, Screw gun, Caulking gun, Hammer, Screws, Nail anchors/Molly screws.*

# Vanity Installation

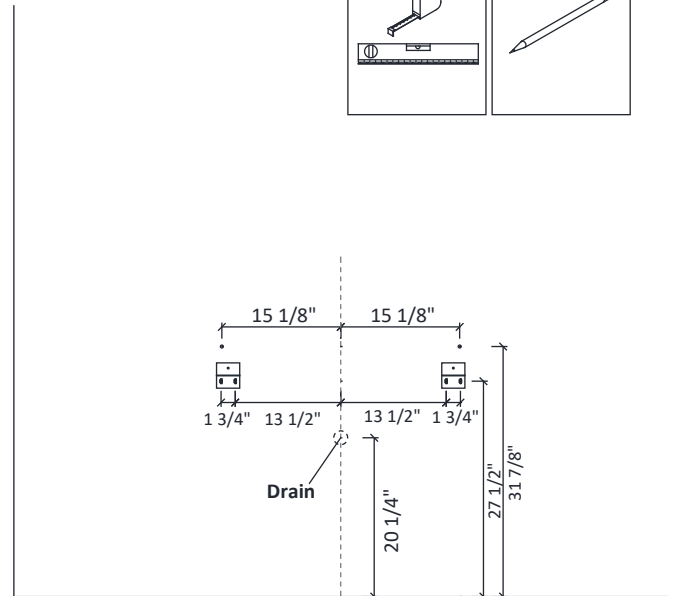
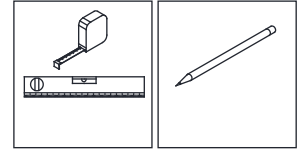
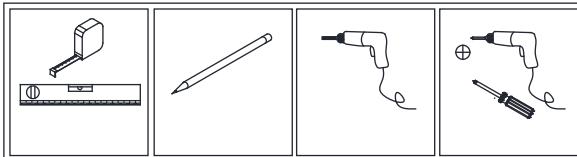
## Step 1

## Step 2

### PARTS

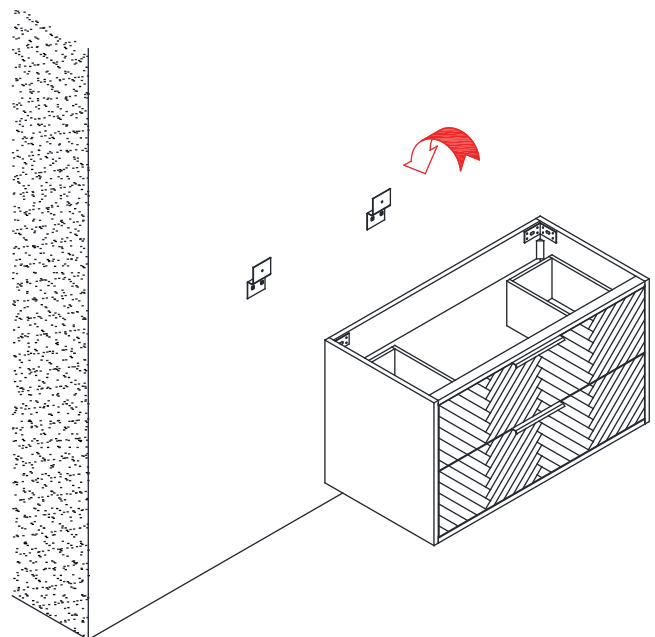
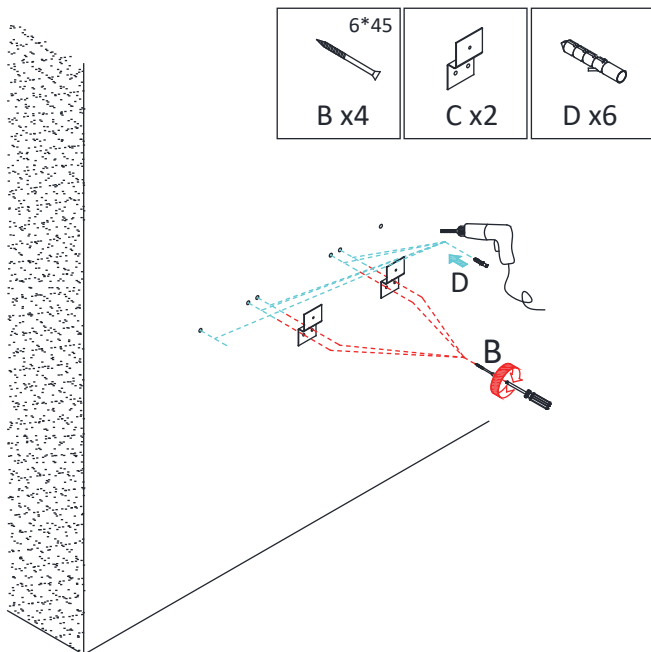
 A x2	 6*45 B x6	 C x2	 D x6
 3.5*15 E x2			

### TOOLS REQUIRED



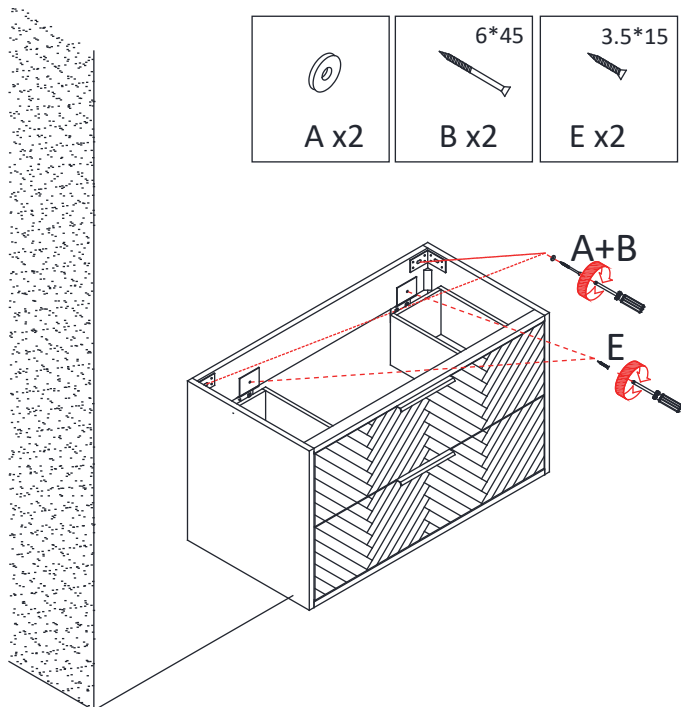
## Step 3

## Step 4

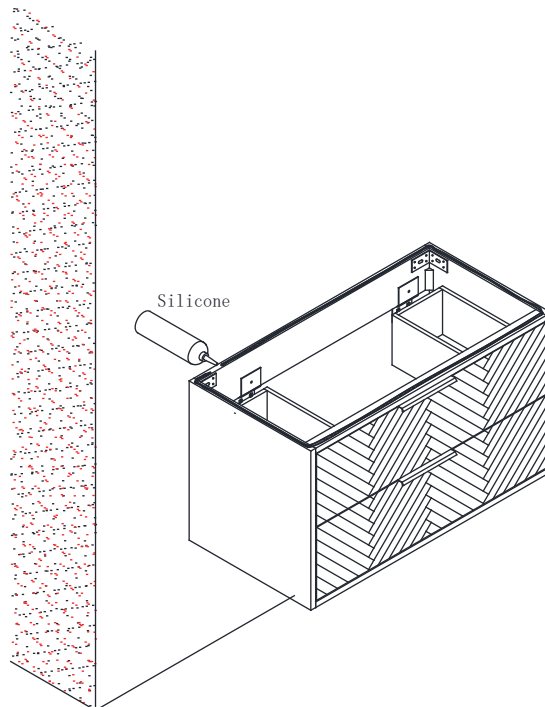


# Vanity Installation

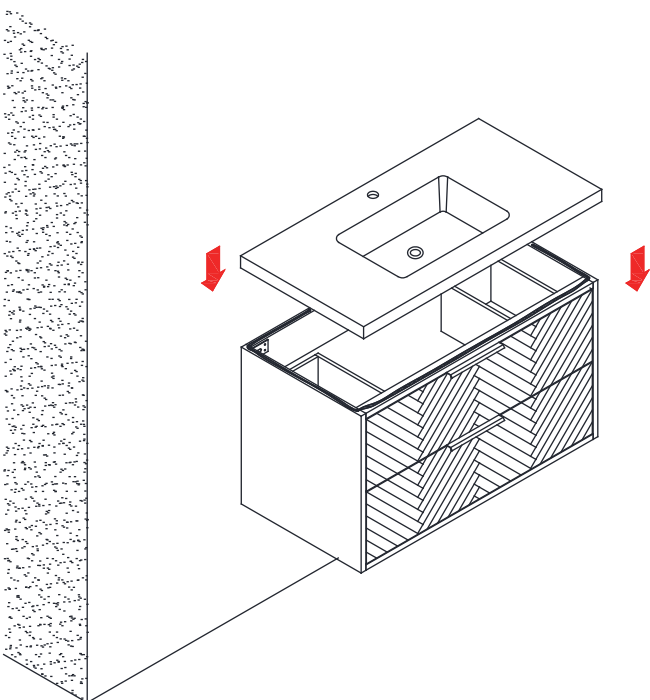
**Step 5**



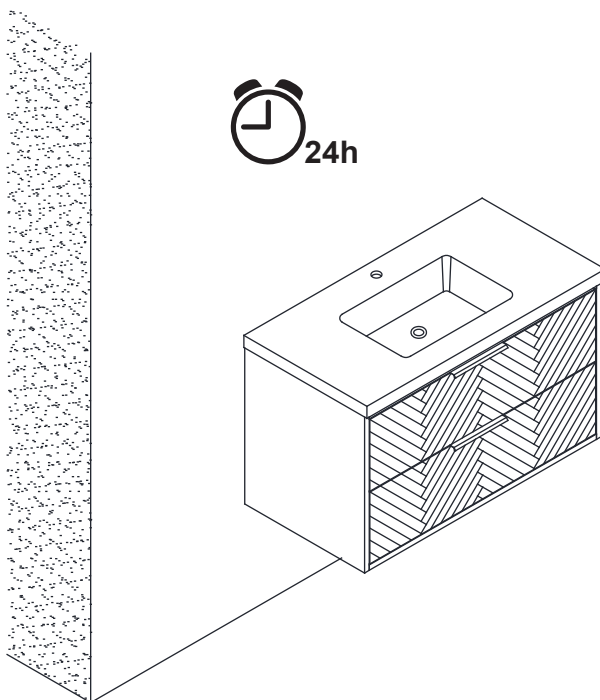
**Step 6**



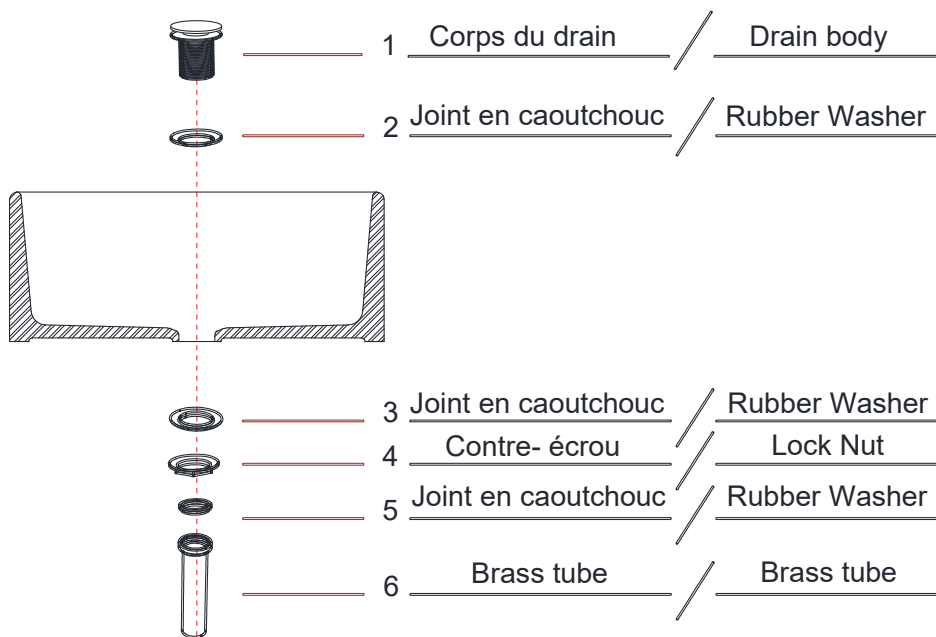
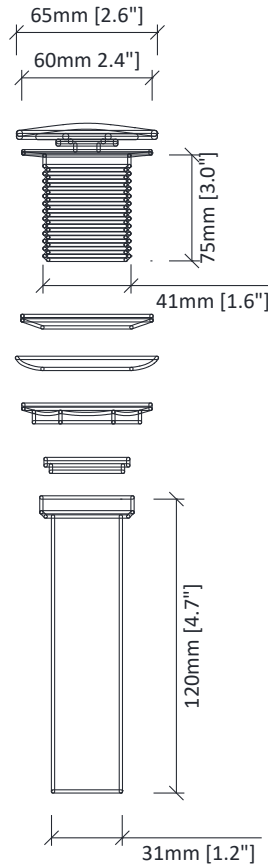
**Step 7**



**Step 8**



# Drain Installation Instruction



## WARNING !

*In the hole on the wall, please be sure to be careful to avoid the internal cables and pipelines.*