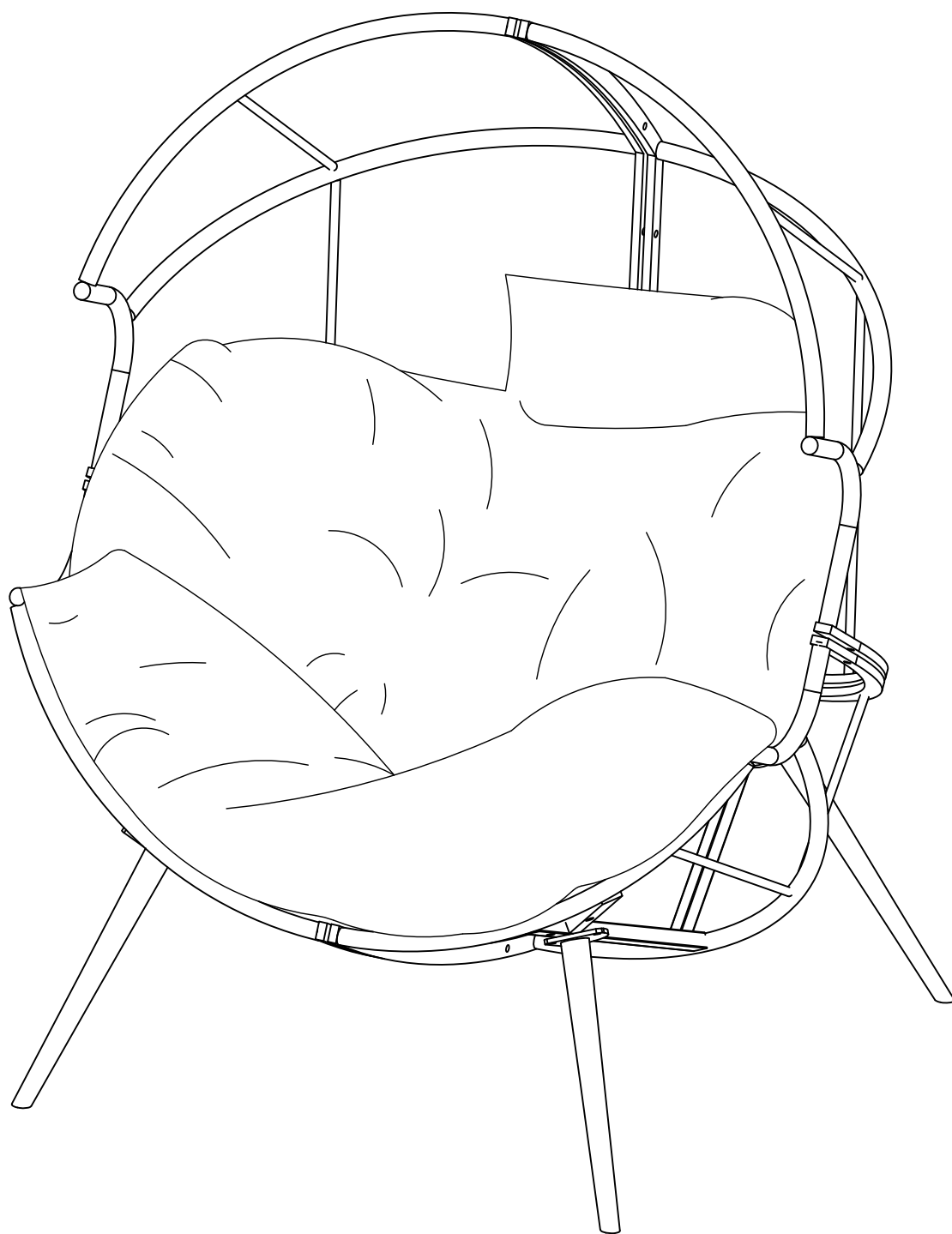


Hanging Basket



IMPORTANT

Please follow the instruction manuals and use a pad to avoid damage during assembly.



Not intended for use by children. Please keep your children closely supervised.



Keep away from fire or other heat sources.



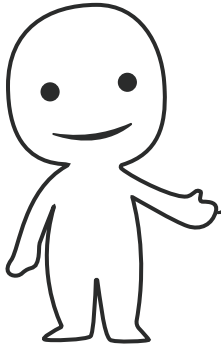
Do not use harsh cleaner for cleaning!



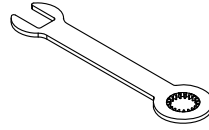
We recommend wearing protective gloves for assembly.



Identify, sort and count the parts before assembly.

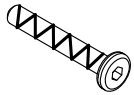


Please prepare the following tools



When installing, please carefully confirm whether each screw corresponds to the manual, accessories with similar shapes can be distinguished by size

① x 12



M6 x 45 mm

②



M6 x 20 mm

③ x 36



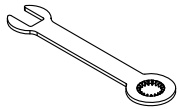
Washer

④ x 12



Nut

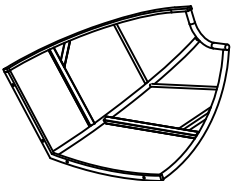
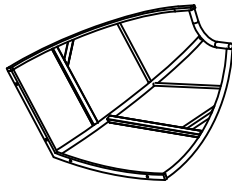
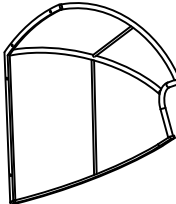
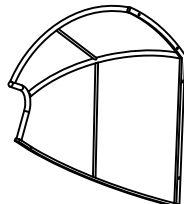
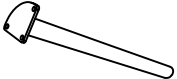
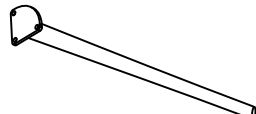
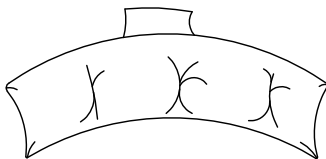

⑤ x 1

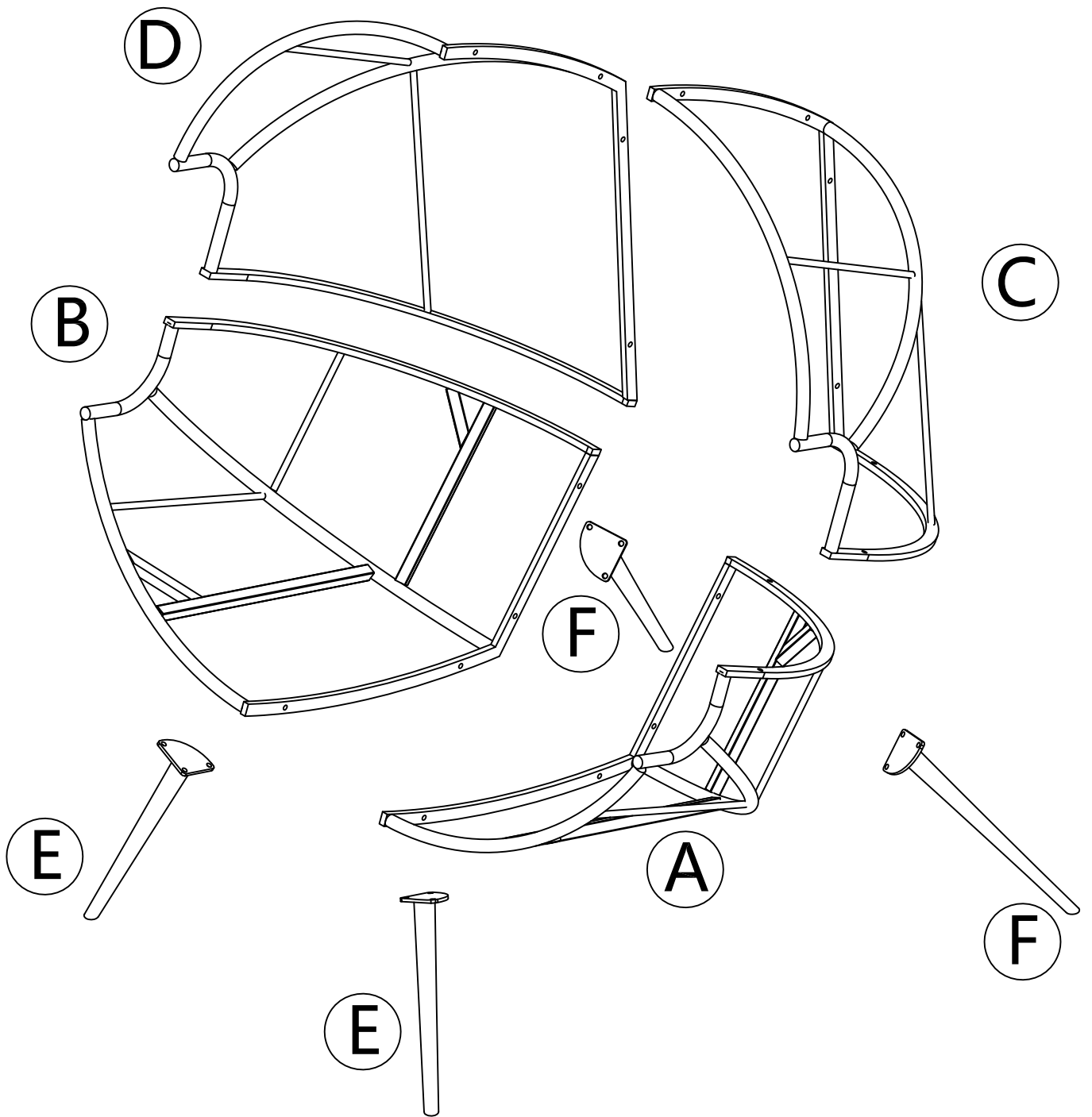


Wrench

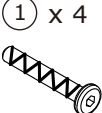
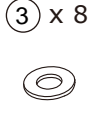

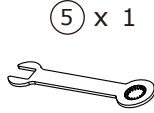
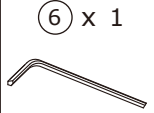
⑥ x 1



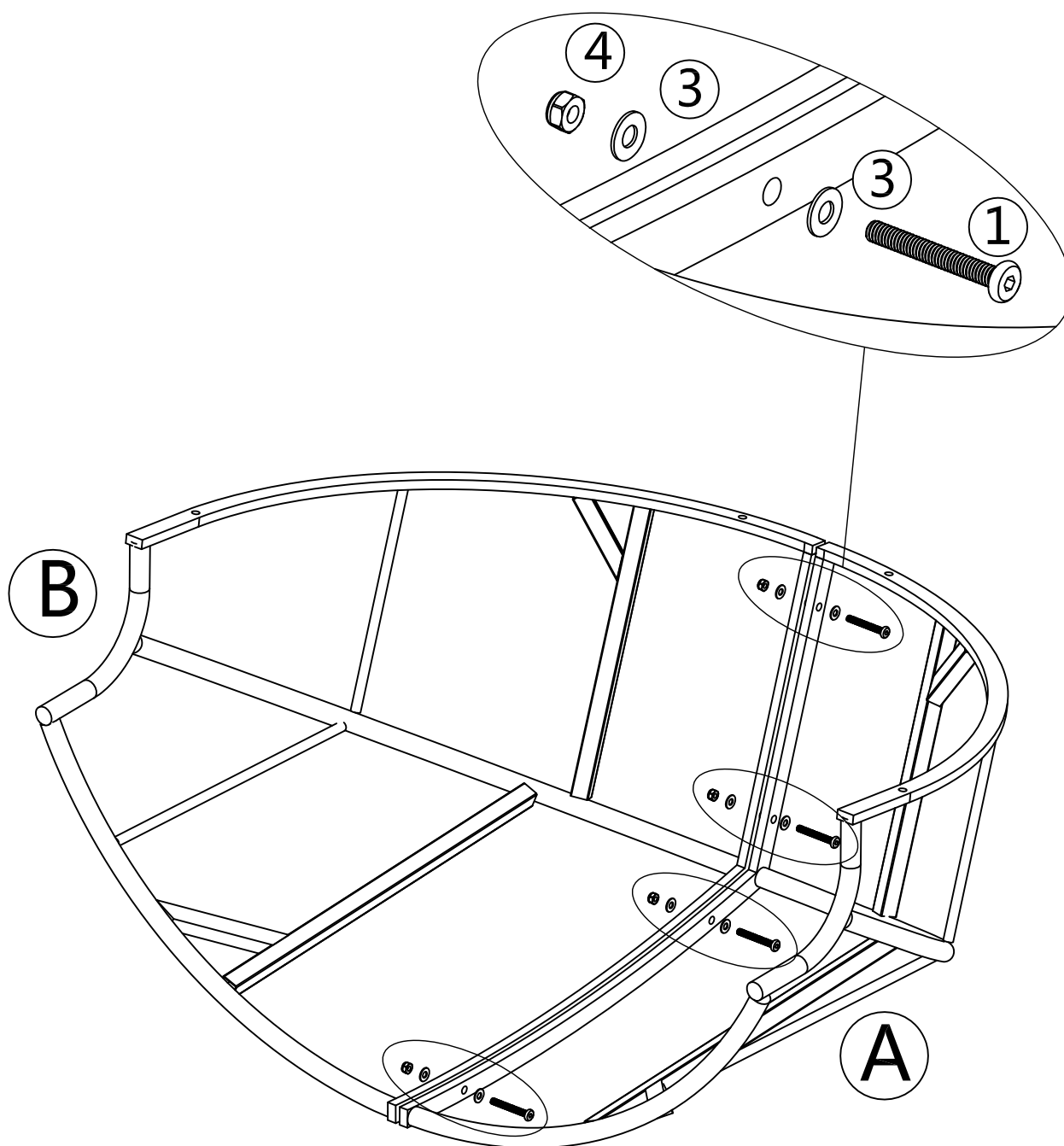
							
(A)	LEFT 1PC	(B)	RIGHT 1PC	(C)	LEFT 1PC	(D)	RIGHT 1PC
							
(E)	FRONT LEG 2PCS	(F)	BACK LEG 2PCS	(G)	BACK CUSHION 1PC	(H)	SEAT CUSHION 1PC



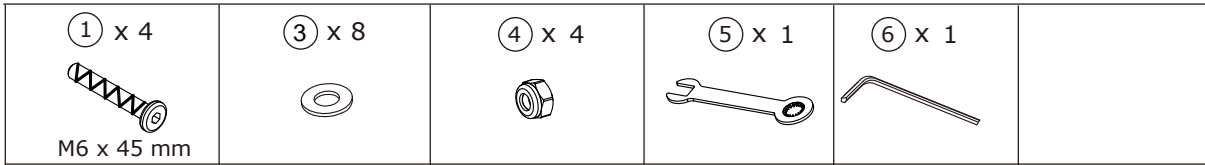
STEP 1

 M6 x 45 mm					
---	---	---	---	--	--

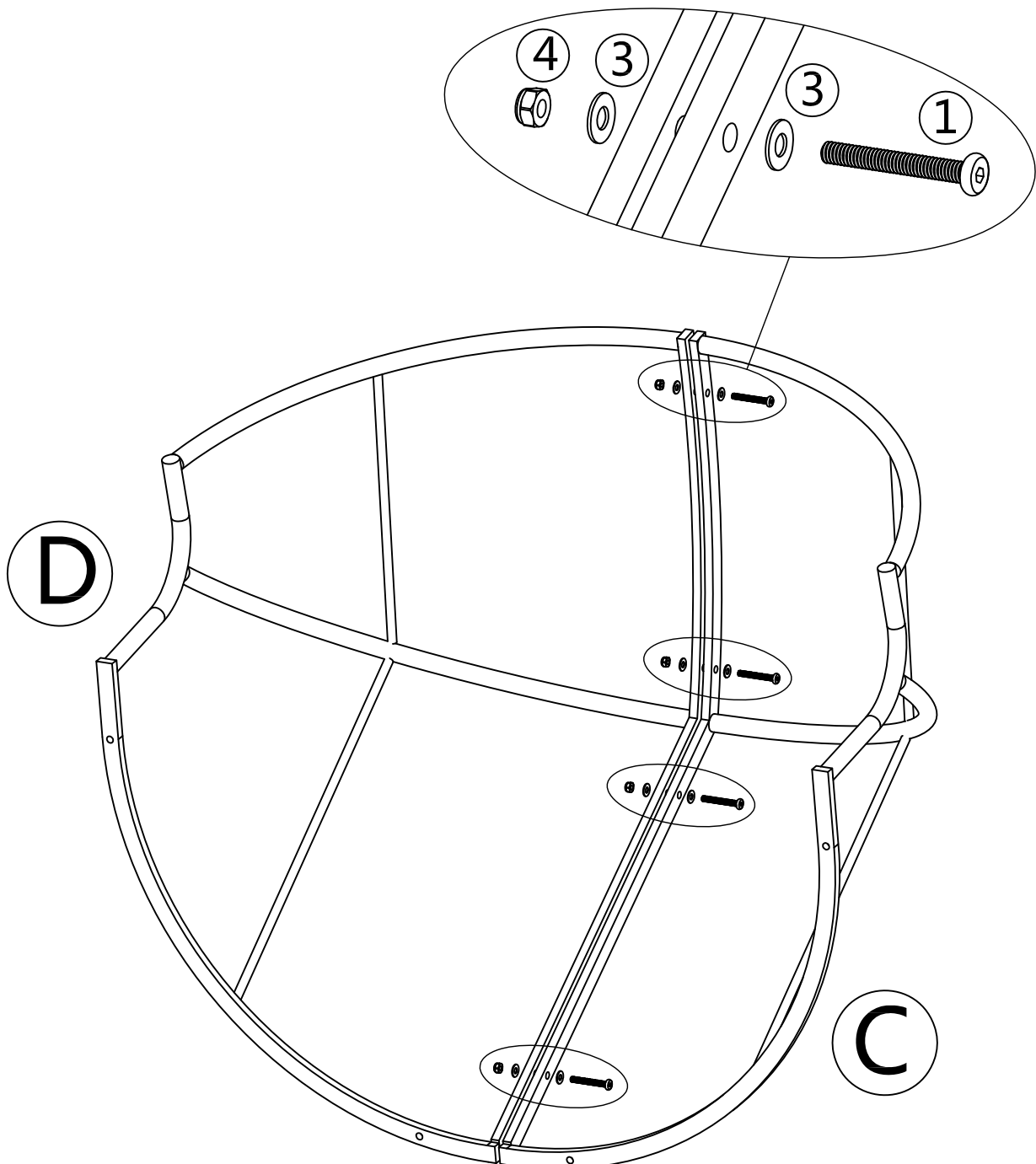
Fix part A with part B with four M6x45mm Screws (1) and Flat Washers (3) and nut (4). Use Allen key (6) and Wrench (5).
DO NOT FULLY TIGHTEN.



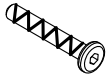




STEP 2



Fix part C with part D with four M6x45mm Screws (1) and Flat Washers (3) and nut (4). Use Allen key (6) and Wrench (5).
DO NOT FULLY TIGHTEN.

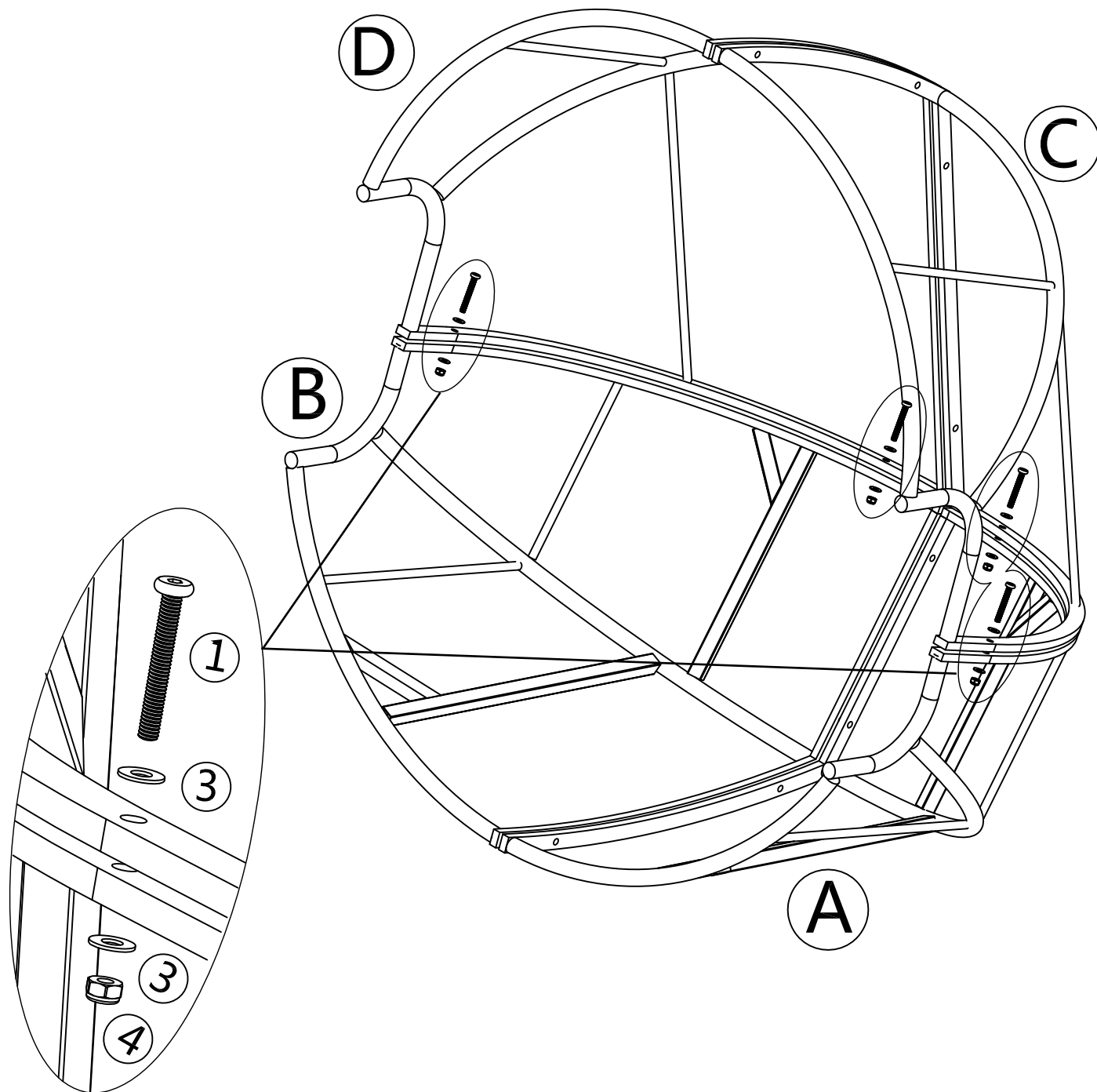


STEP 3

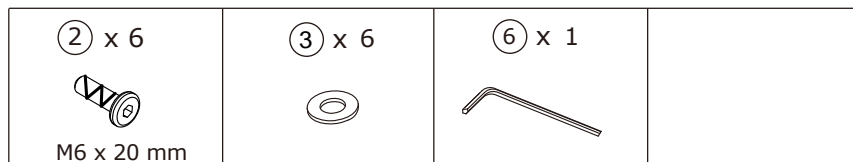
① x 4  M6 x 45 mm	③ x 8 	④ x 4 	⑤ x 1 	⑥ x 1 	
--	--	--	--	---	--

Fix part A with part C and part B with part D with four M6x45mm Screws (1) and Flat Washers (3) and nut (4). Use Allen key (6) and Wrench (5).

DO NOT FULLY TIGHTEN.

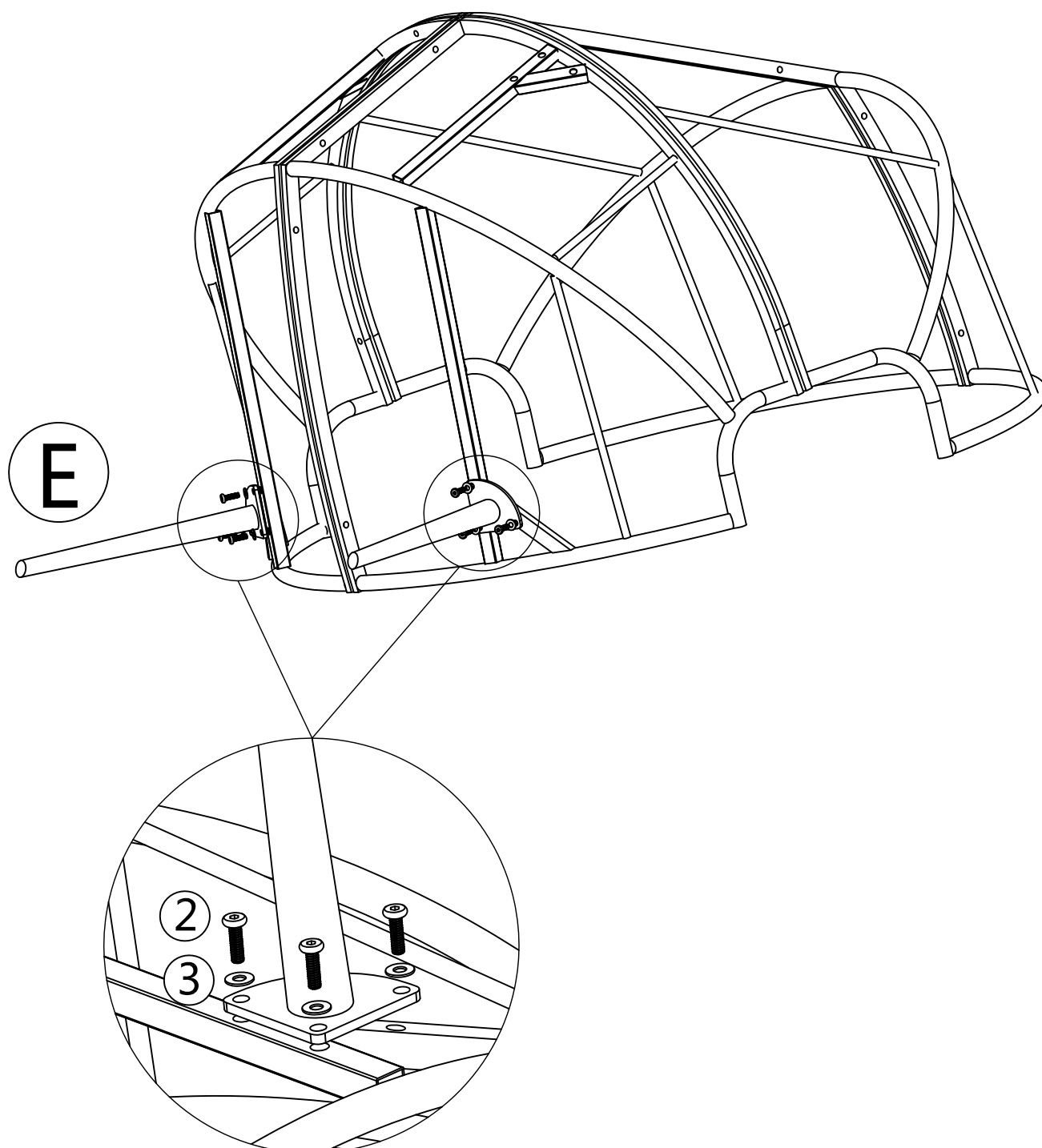


STEP 4

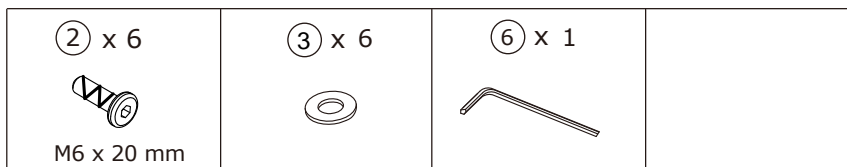


Fix part E with part A and part B with six M6x20mm Screws (2) and Flat Washers (3). Use Allen key (6).

DO NOT FULLY TIGHTEN.

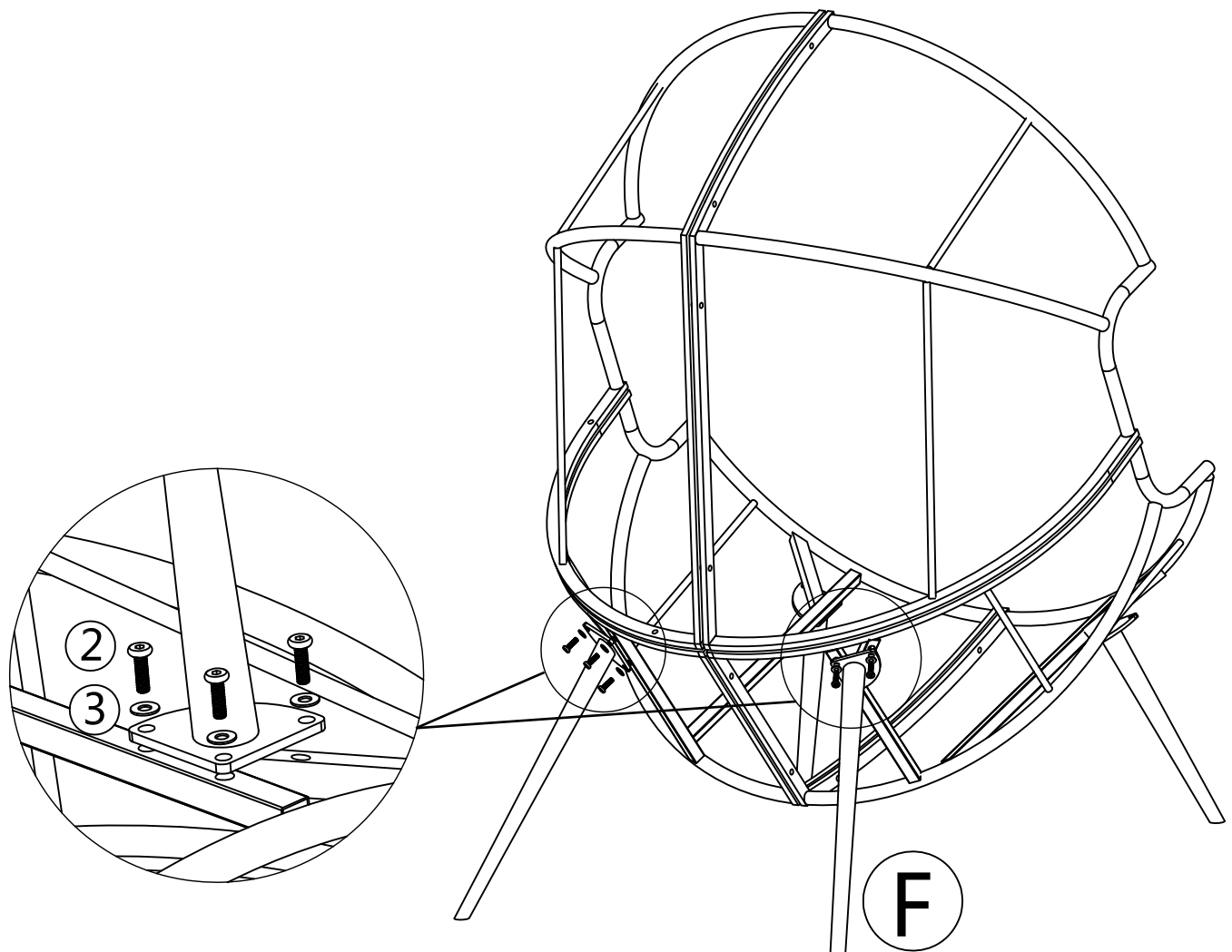


STEP 5



Fix part F with part A and part B with six M6x20mm Screws (2) and Flat Washers (3). Use Allen key (6).

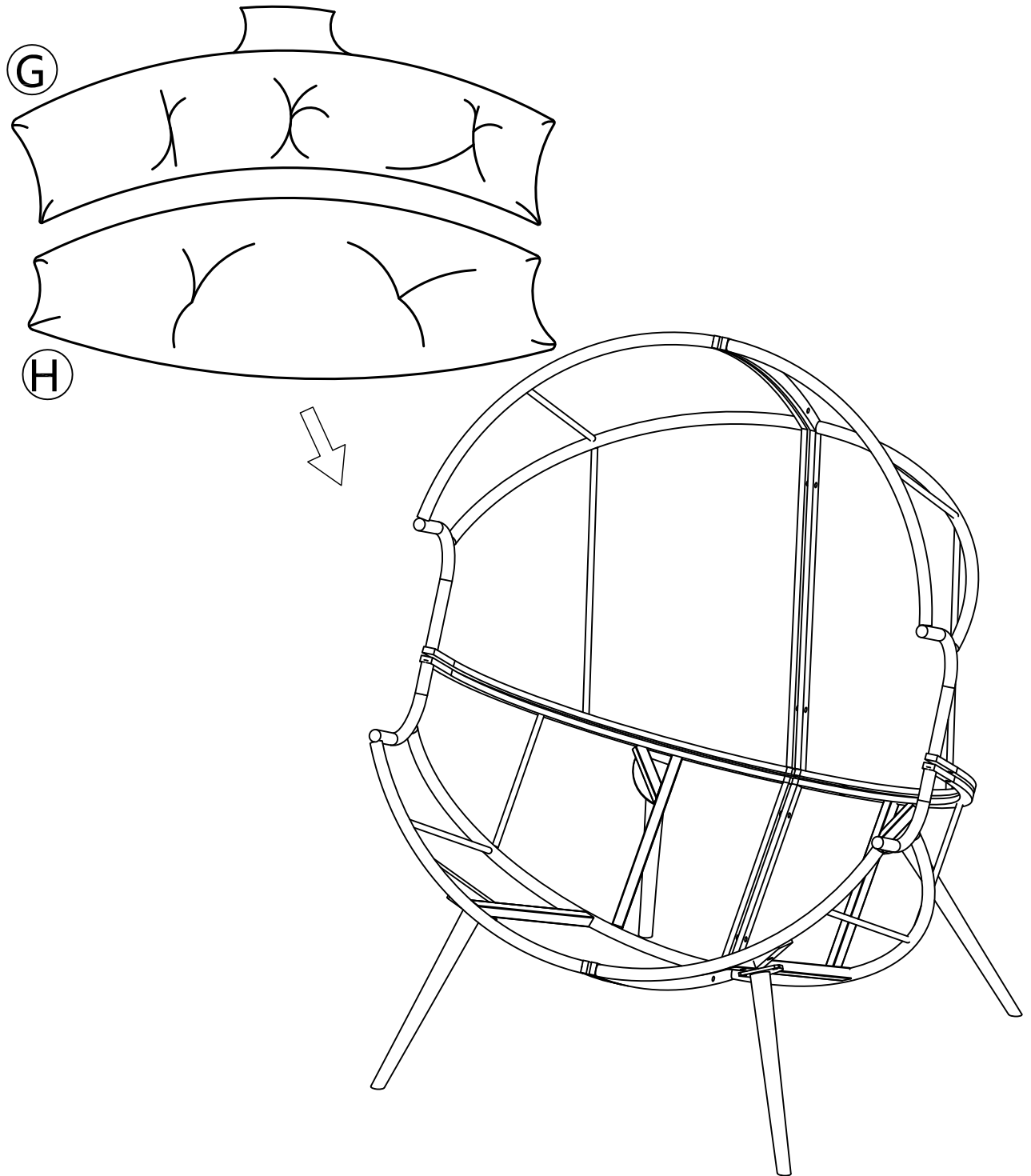
DO NOT FULLY TIGHTEN.



**Adjust alignments and NOW
TIGHTEN ALL SCREWS with wrench (5)
with Allen key (6).**

STEP 6

Put the cushions on.



Assembly Finished