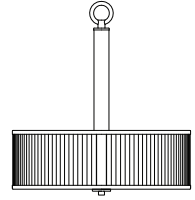
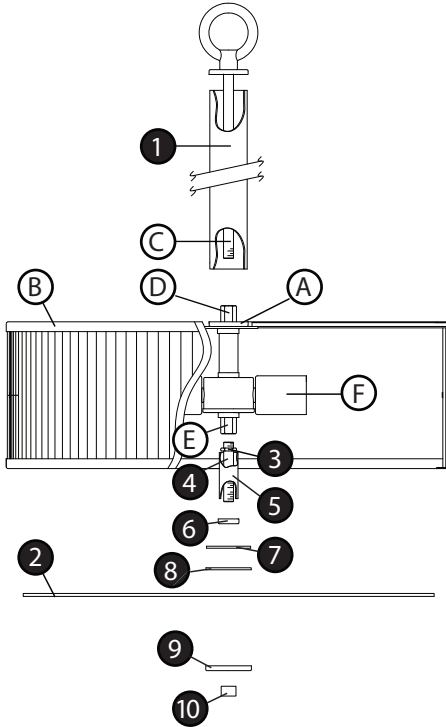


Family: Midtown Item No. 4972 BN



Drawing 1 - Fixture Assembly



## ▼ start here

**1**

1. Find a clear area in which you can work.
2. Unpack fixture and glass from carton.
3. Carefully review instructions prior to assembly.

\*\*\* The construction of this fixture will be accomplished by first assembling the main body of the fixture, making all necessary electrical connections, hanging the fixture from the ceiling, and then installing the glass.

**SAFETY WARNING: READ WIRING AND GROUNDING INSTRUCTIONS (I.S. 18) AND ANY ADDITIONAL DIRECTIONS. TURN POWER SUPPLY OFF DURING INSTALLATION. IF NEW WIRING IS REQUIRED, CONSULT A QUALIFIED ELECTRICIAN OR LOCAL AUTHORITIES FOR CODE REQUIREMENTS.**

**2**

1. To assemble fixture, slip tubing (1) over wires and place into cap (A) on top of cage assembly (B) - see Drawing 1.
2. Slip center stem (C) along wires and thread end of stem (C) into coupler (D) located on top of cage assembly (A) and tighten.
3. Please refer to the hanging instruction sheet (I.S. 19) provided to hang fixture. Then refer back to this sheet to install fixture glass.

**3**

1. Before installing glass (2), fixture can now be lamped accordingly.
2. To install glass (2), thread bottom center stem (4) with hex nut (3) into coupler (E) at base of socket assembly (F) approximately 3/8". Tighten hex nut (3) up against coupler (E) to lock center stem in position - see Drawing 1.
3. Slip tubing (5) over center stem (4) and hold in position.
4. Slip cap (6) over center stem (4) followed by metal flat washer (7) and rubber washer (8) and hold in position.
5. Slip glass (2) onto center stem (4) and hold in position.
6. Slip flat washer (9) onto center stem and hold both glass and washer in position while threading on decorative knob (10). Tighten knob (10) to secure fixture to glass.

Note: Maximum wattage for 4972 fixture is 100 watts per bulb.

4.28.10