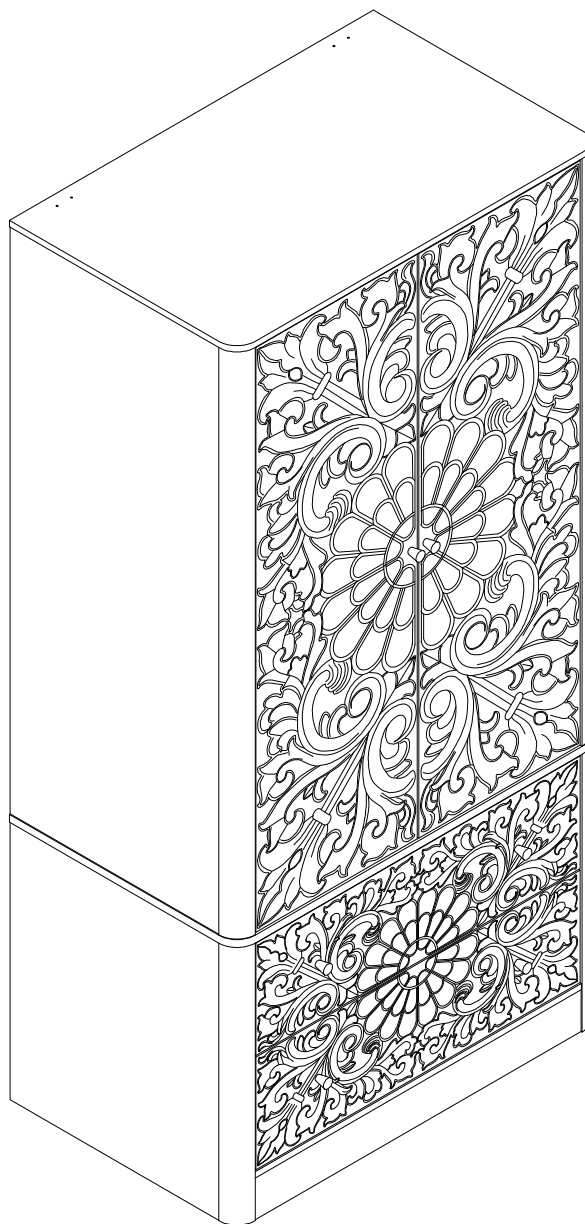


Assembly Instructions

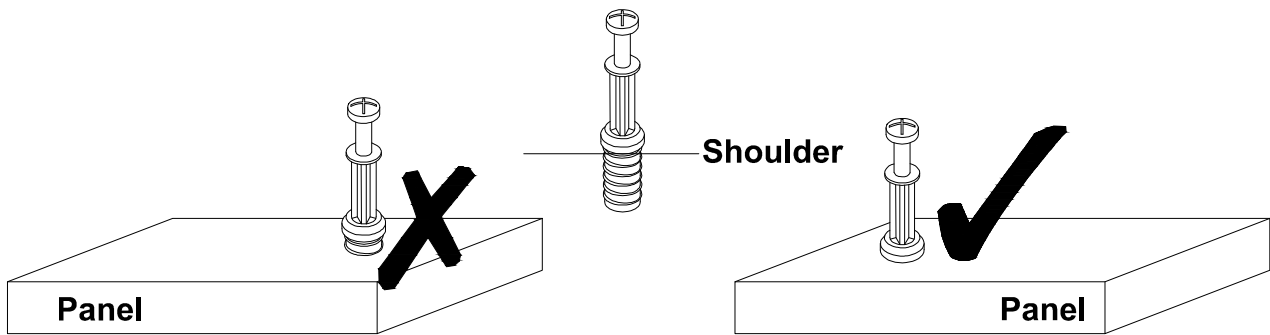


Before Assembly

Tips Before Your Start:

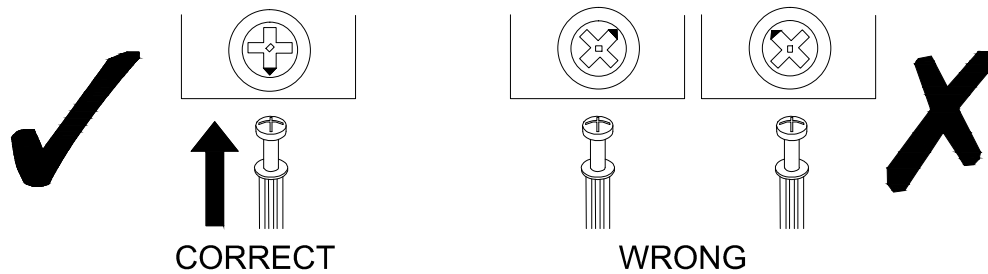
- Remove all wrapping material, including staples & packing straps before you start to assemble.
- DO NOT tighten all screws and bolts until the assembly is completely assembled.
- Keep all hardware parts out of reach of children.

QUICKFIT



Tighten quickfit until shoulder is flush with panel. Do not overtighten or undertighten.

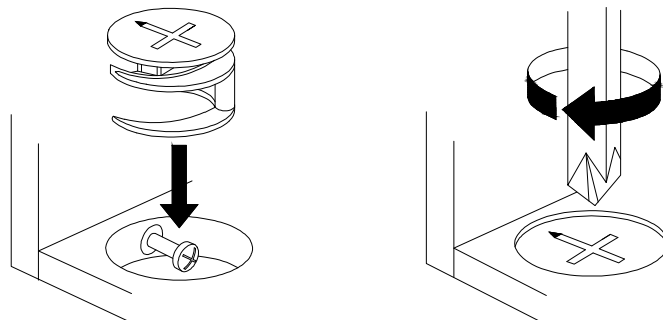
CAM LOCK



When fitting a cam lock, ensure the starting position is correct before inserting the connecting QUI CKFIT

Quickfit head should be in the centre of the cam lock when the two panels are joined.

Cam lock should be inserted before quickfit.

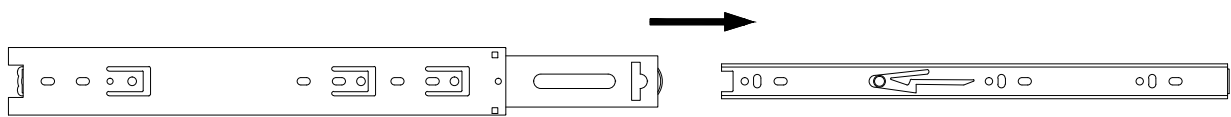
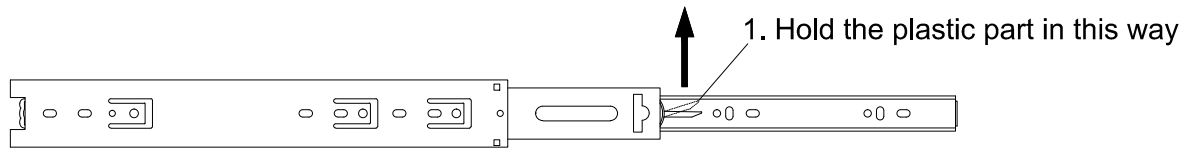


Turn cam lock clockwise to tighten.

Before Assembly

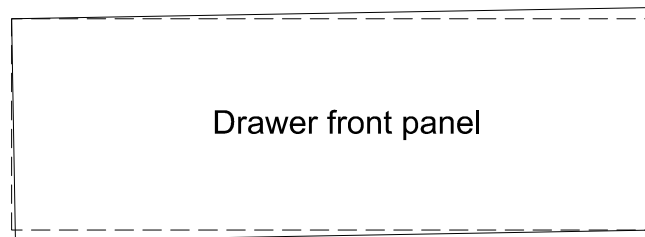
Tips Before Your Start

How to separate the drawer slider:

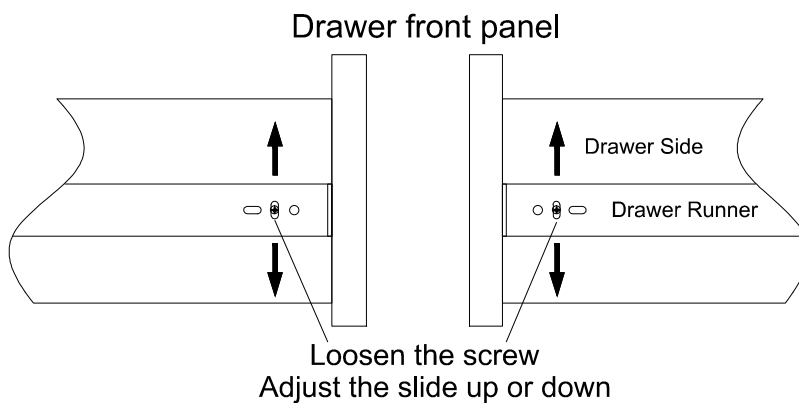


2. Pull out the inner slider for drawer box fixing

Drawer Front Alignment




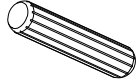
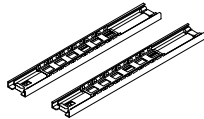
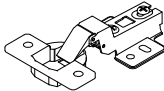
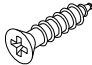
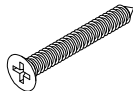

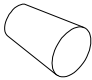
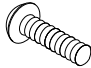
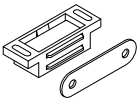

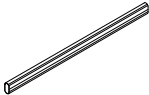
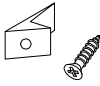
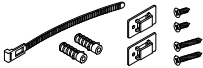


If the drawer front panel is NOT level after being assembled, then...

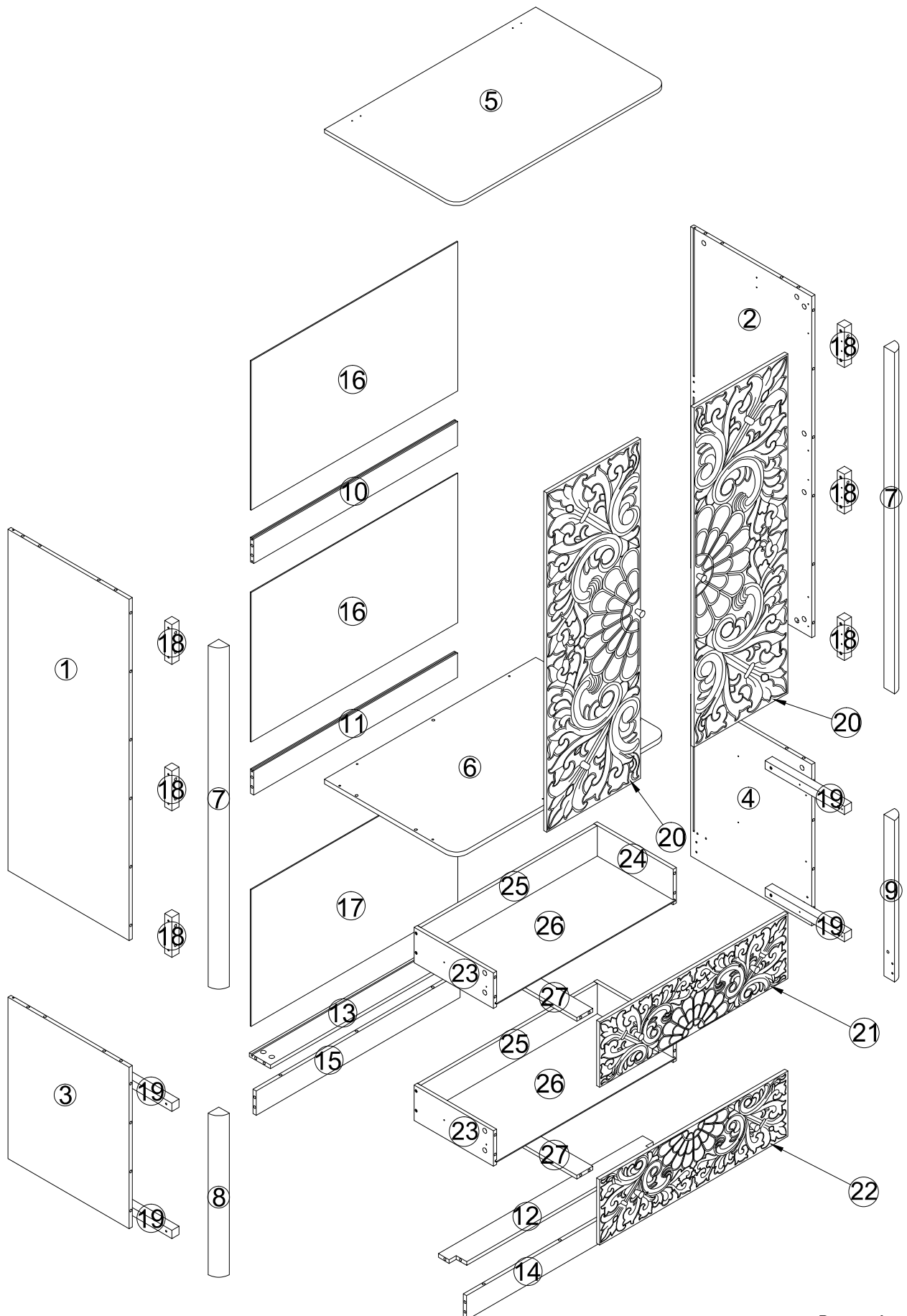


Loosen the screws on the left and right hand side, then adjust the drawer slide up or down, until the drawer fronts are even/level, then tighten the screws.

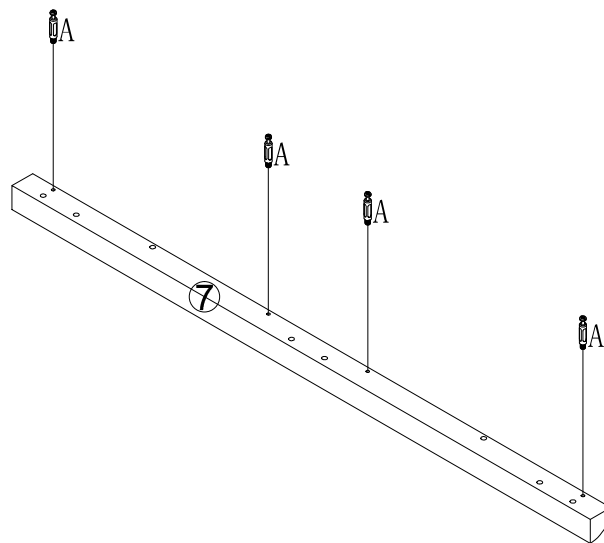
Part List

<p>No. A Quantity:68 Pcs Cam Lock Dowel 8*28mm</p> 	<p>No. B Quantity:68 Pcs Cam φ15</p> 	<p>No. C Quantity:58 Pcs Sticker Ø20</p> 	<p>No. D Quantity:37 Pcs Dowel 8*30mm</p> 
<p>No. E Quantity:2 Sets Drawer Slider 10"</p> 	<p>No. F Quantity:6 Pcs Hinge</p> 	<p>No. G Quantity:72 Pcs Screw M3.5*12mm</p> 	<p>No. H Quantity:28 Pcs Screw M4*35mm</p> 
<p>No. I Quantity:6 Pcs Foot Pad Ø15</p> 	<p>No. J Quantity:6 Pcs Handle</p> 	<p>No. K Quantity:6 Pcs Screw M4*20mm</p> 	<p>No. L Quantity:4 Sets Magnetic Door Catcher</p> 
<p>No. M Quantity:2 Pcs Pothook</p> 	<p>No. N Quantity:1 Pcs Supporting Rod 762*28*15mm</p> 	<p>No. O Quantity:12 Sets Plastic Wedge</p> 	<p>No. P Quantity:2 Sets Anti-falling Parts</p> 

Product structure



STEP 1

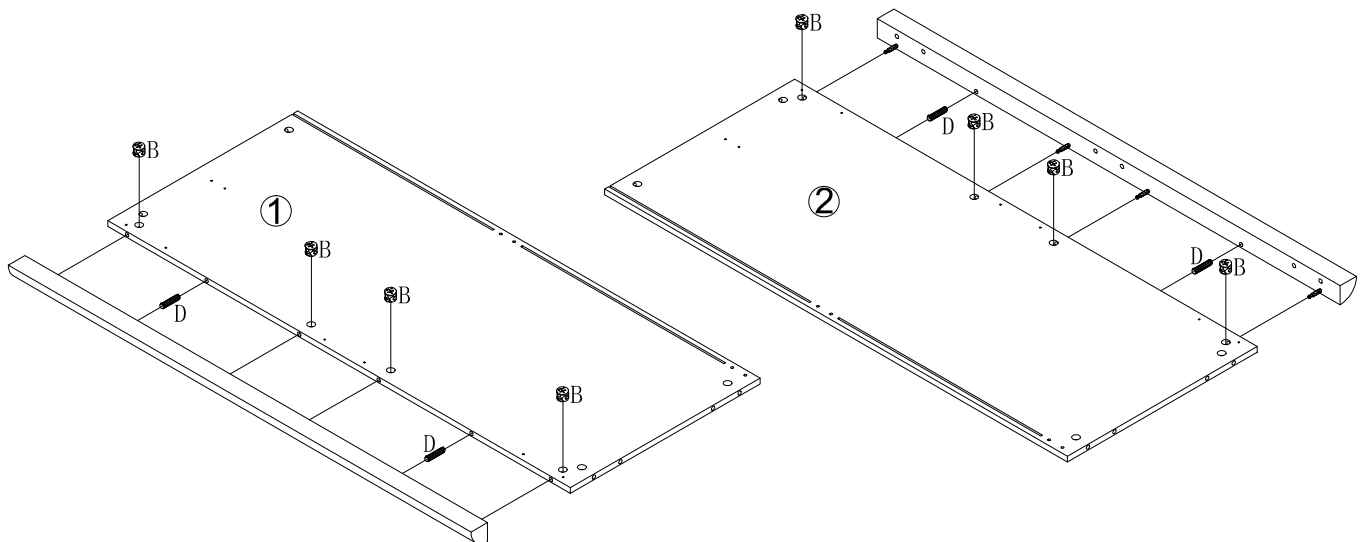


No. A
Quantity: 8 Pcs
8*28 mm



×2

STEP 2



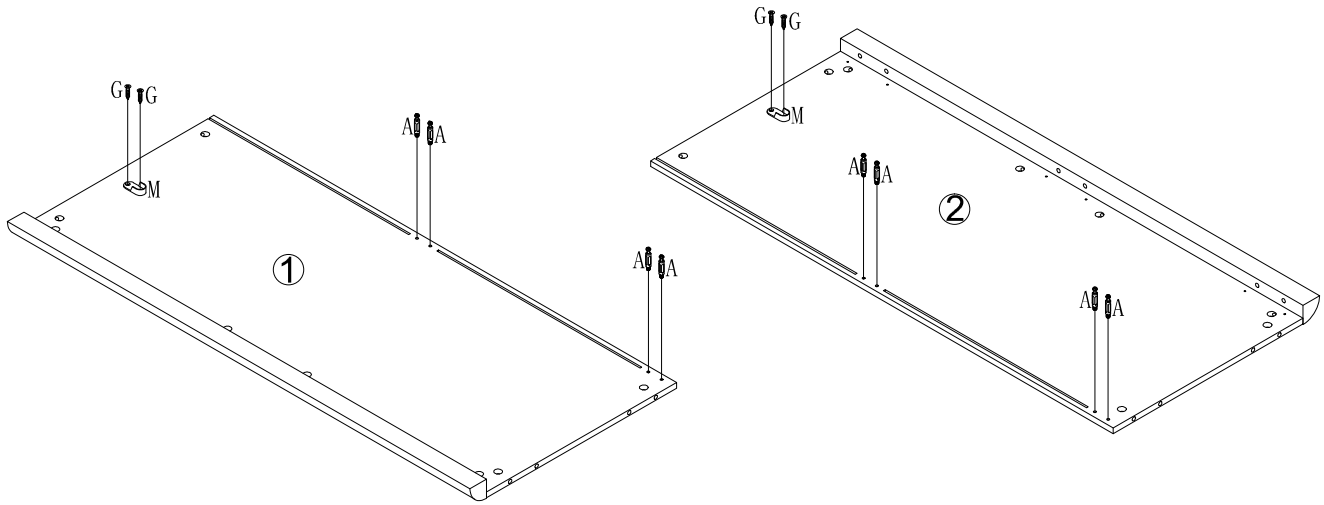
No. B
Quantity: 8 Pcs
Ø15



No. D
Quantity: 4 Pcs
8*30mm



STEP 3



No. A
Quantity: 8 Pcs
8*28 mm



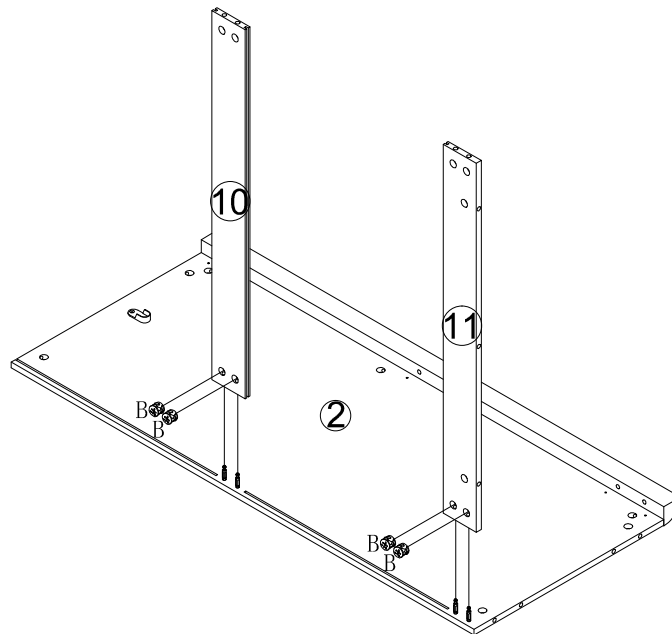
No. G
Quantity: 4 Pcs
M3.5*12mm



No. M
Quantity: 2 Pcs



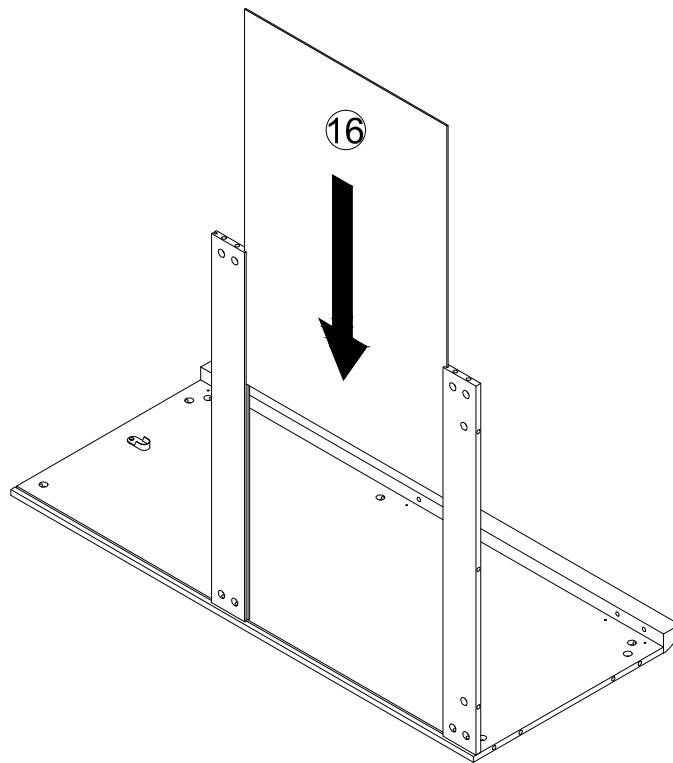
STEP 4



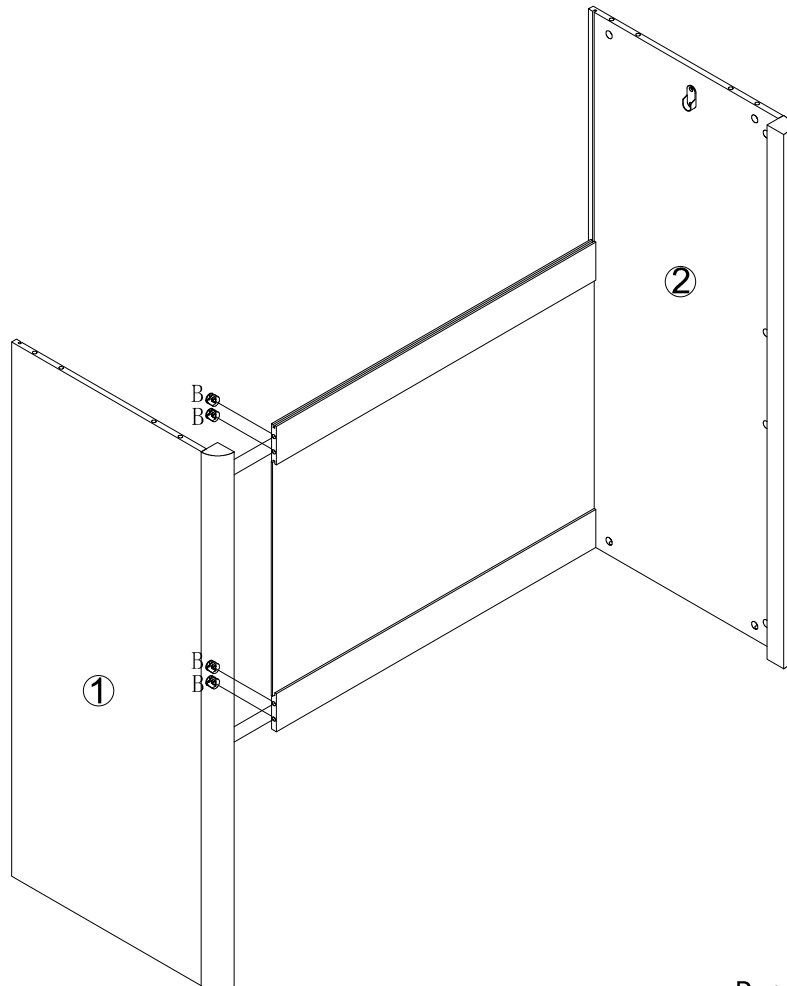
No. B
Quantity: 4 Pcs
Ø15



STEP 5



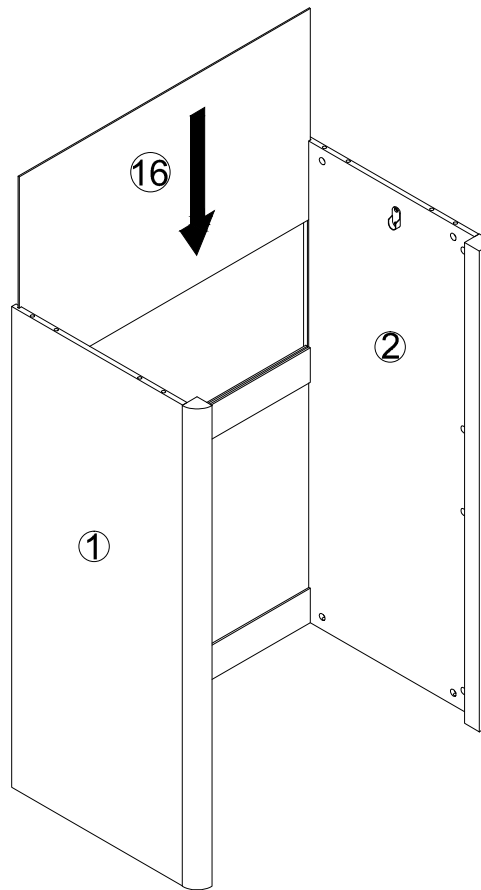
STEP 6



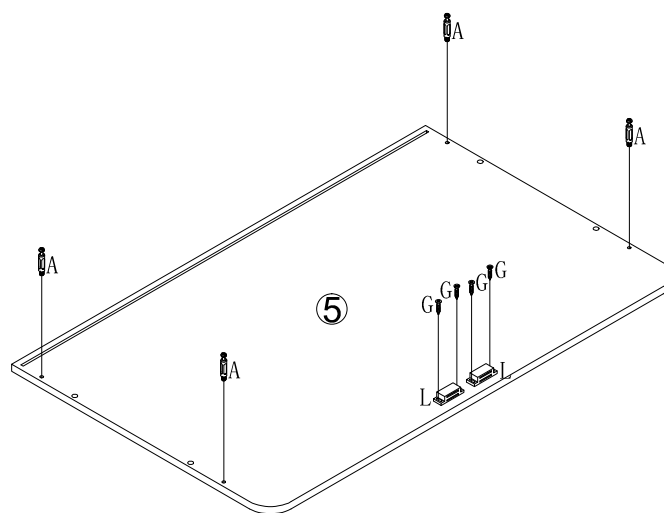
No. B
Quantity: 4 Pcs
Ø15



STEP 7



STEP 8



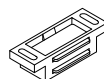
No. A
Quantity: 4 Pcs
8*28 mm



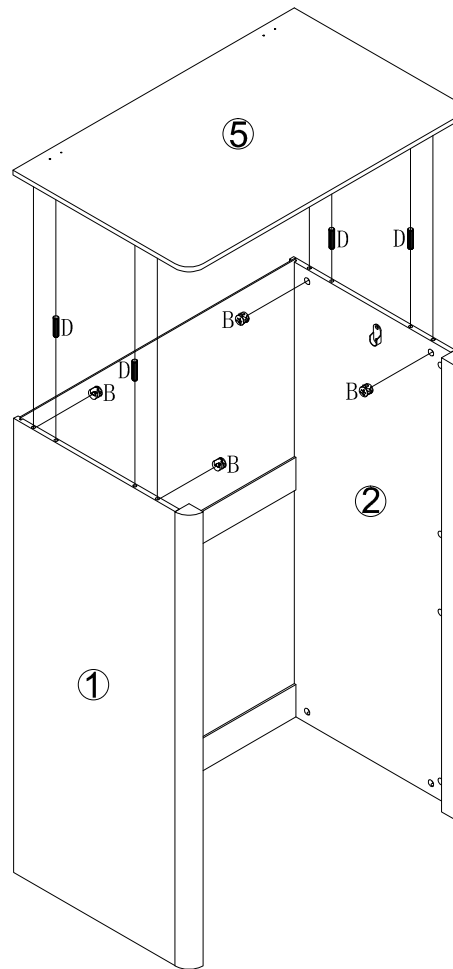
No. G
Quantity: 4 Pcs
M3.5*12mm



No. L
Quantity: 2 Pcs



STEP 9



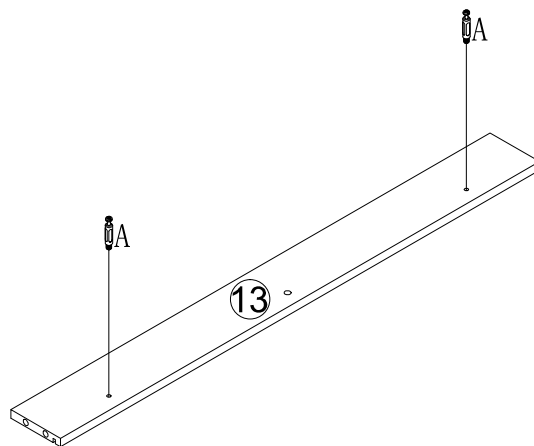
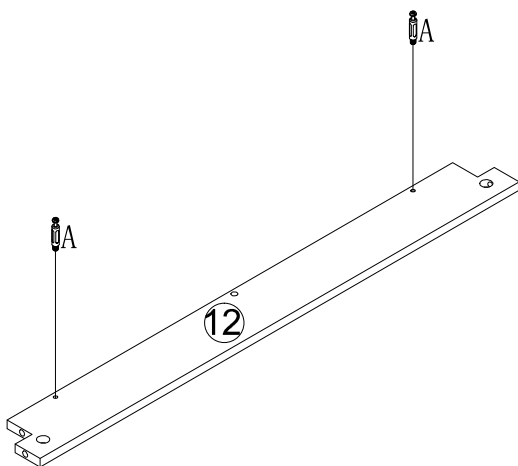
No. B
Quantity: 4 Pcs
Ø15



No. D
Quantity: 4 Pcs
8*30mm



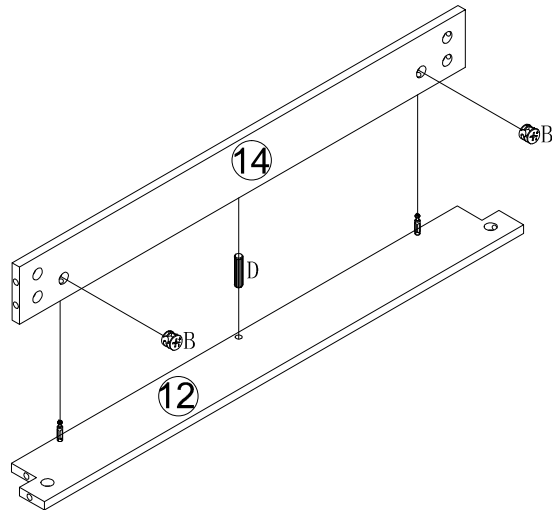
STEP 10



No. A
Quantity: 4 Pcs
8*28 mm



STEP 11



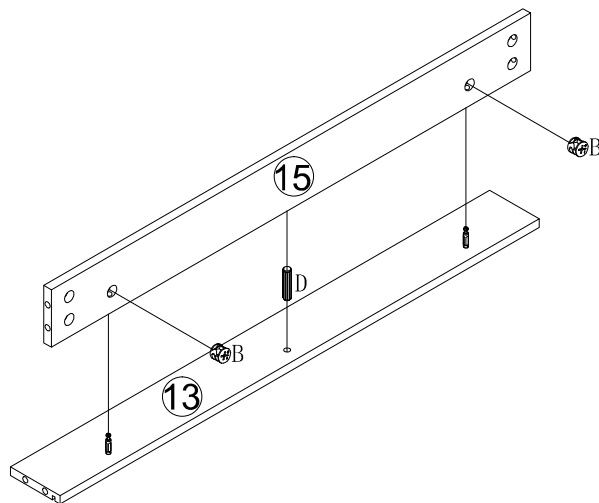
No. B
Quantity: 2 Pcs
Ø15



No. D
Quantity: 1 Pcs
8*30mm



STEP 12



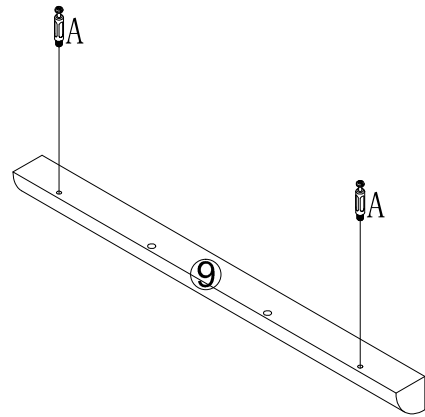
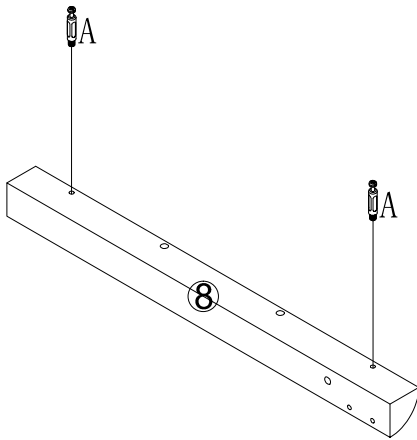
No. B
Quantity: 2 Pcs
Ø15



No. D
Quantity: 1 Pcs
8*30mm



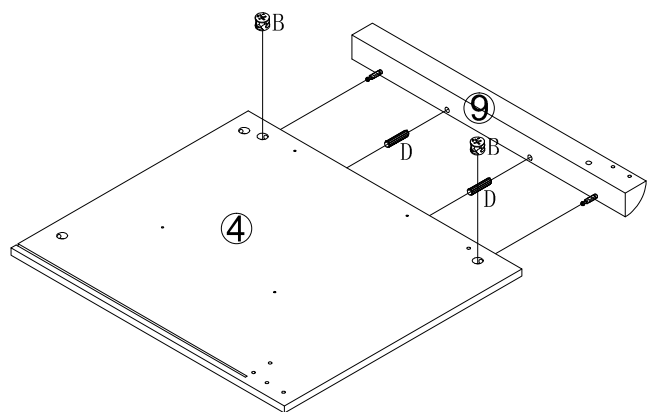
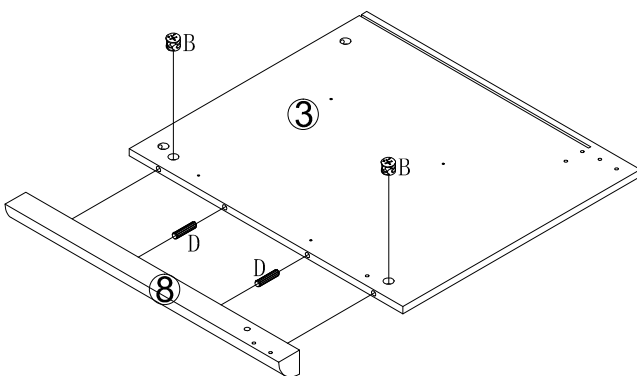
STEP 13



No. A
Quantity: 4 Pcs
8*28 mm



STEP 14



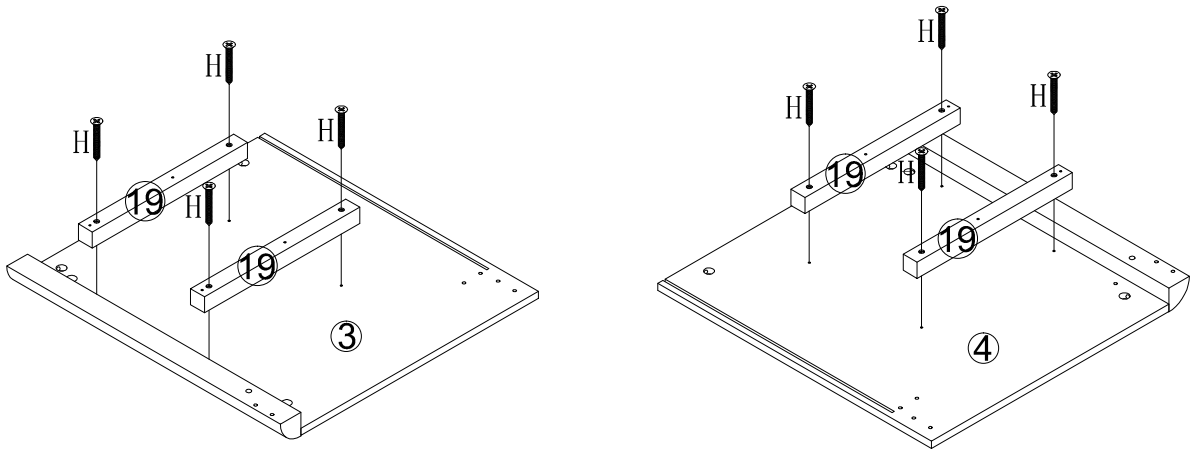
No. B
Quantity: 4 Pcs
Ø15



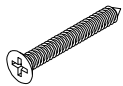
No. D
Quantity: 4 Pcs
8*30mm



STEP 15



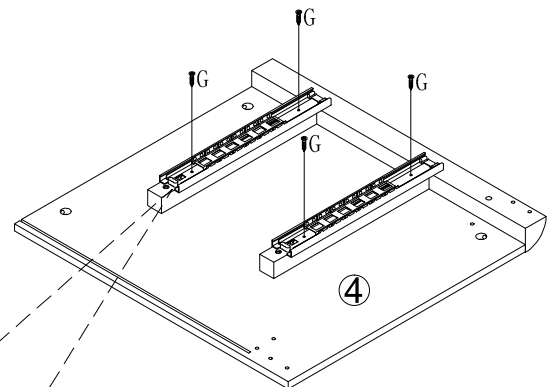
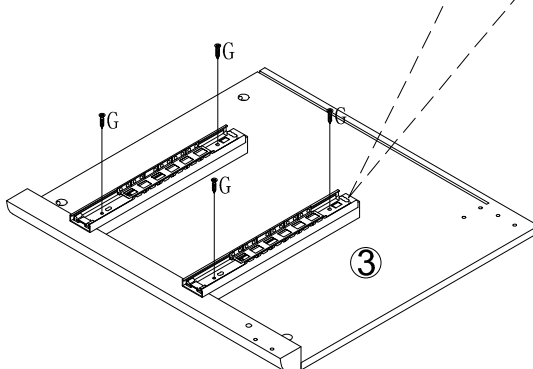
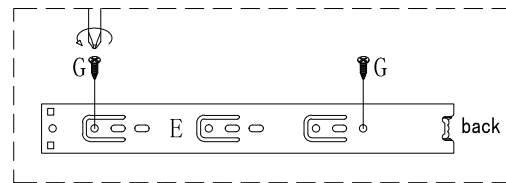
No. H
Quantity: 8 Pcs
M4*35mm



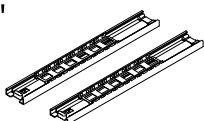
STEP 16



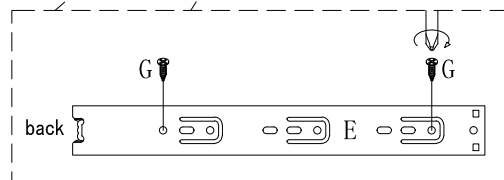
The first screw hole should correspond with the board location hole



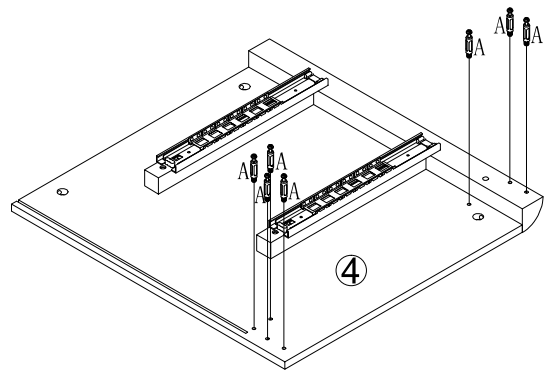
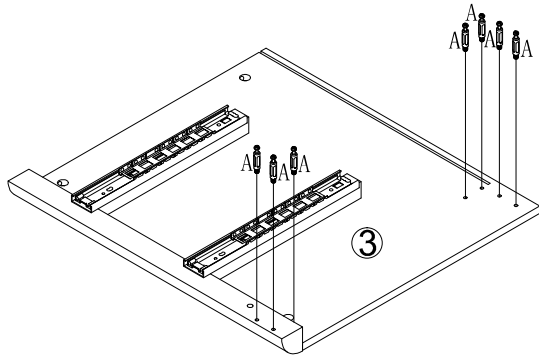
No. E
Quantity: 2 Sets
10"



No. G
Quantity: 8 Pcs
M3.5*12mm



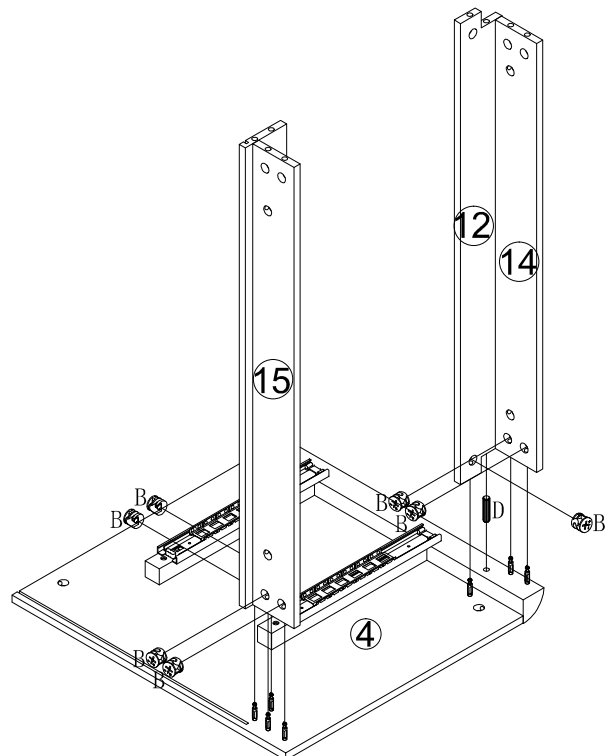
STEP 17



No. A
Quantity: 14 Pcs
8*28 mm



STEP 18



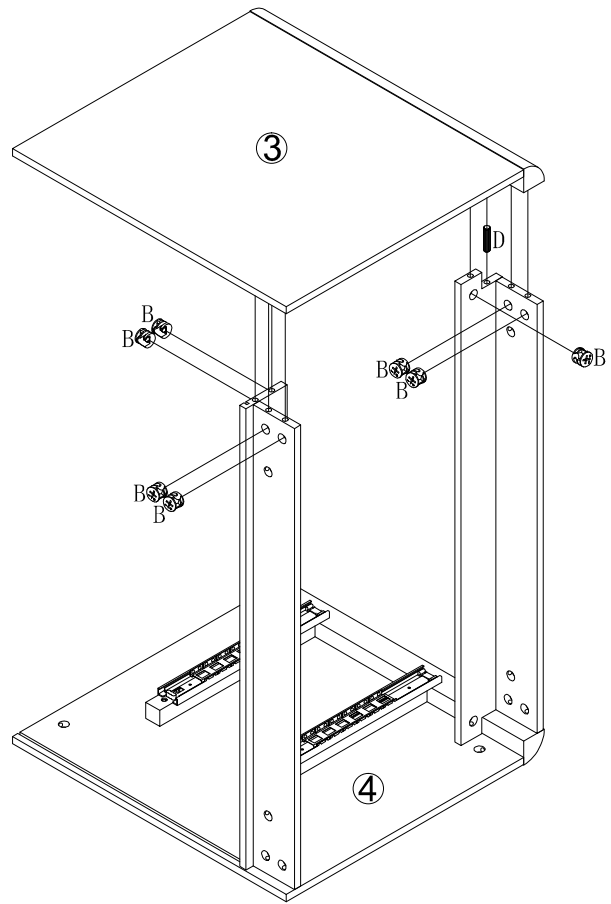
No. B
Quantity: 7 Pcs
Ø15



No. D
Quantity: 1 Pcs
8*30mm



STEP 19



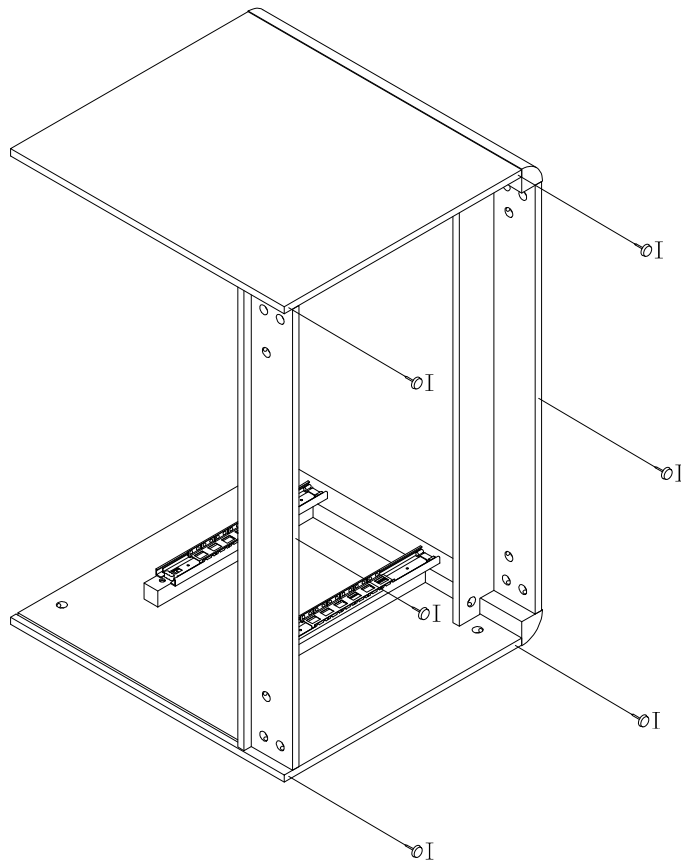
No. B
Quantity: 7 Pcs
Ø15



No. D
Quantity: 1 Pcs
8*30mm



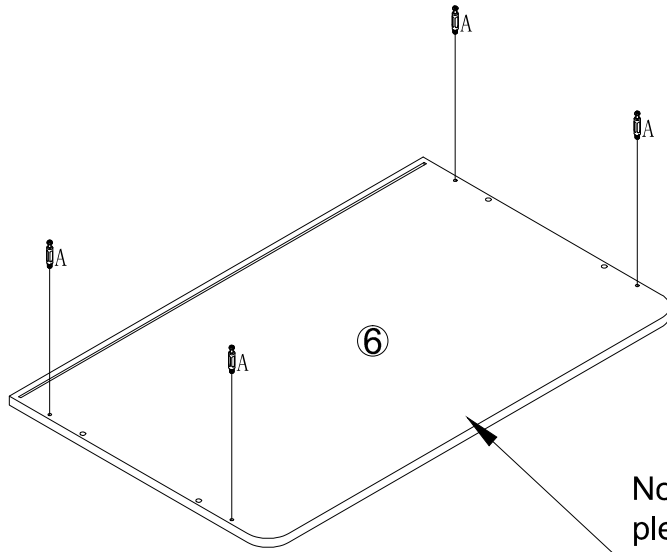
STEP 20



No. I
Quantity: 6 Pcs
Ø15

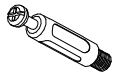


STEP 21

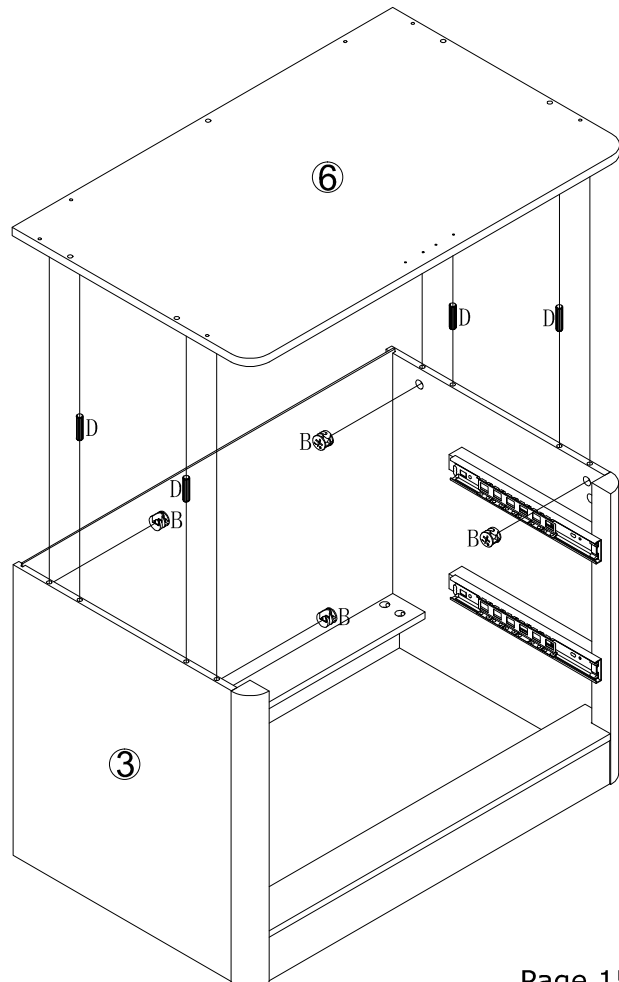


Note: This block has holes on both sides, please pay attention to the difference.

No. A
Quantity: 4 Pcs
8*28 mm



STEP 22



No. B
Quantity: 4 Pcs
Ø15



No. D
Quantity: 4 Pcs
8*30mm



STEP 23

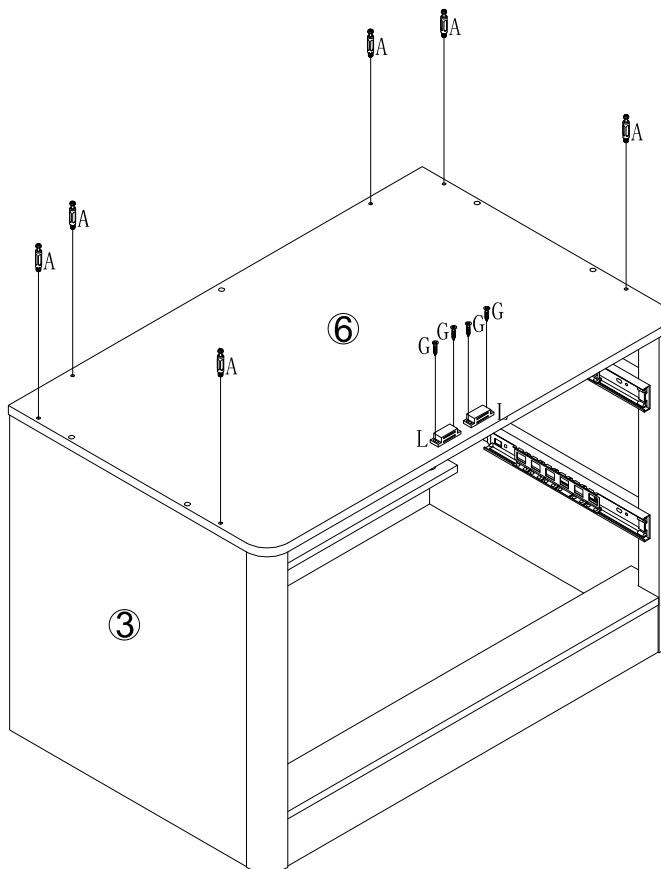
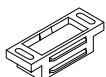
No. A
Quantity: 6 Pcs
8*28 mm



No. G
Quantity: 4 Pcs
M3.5*12mm



No. L
Quantity: 2 Pcs

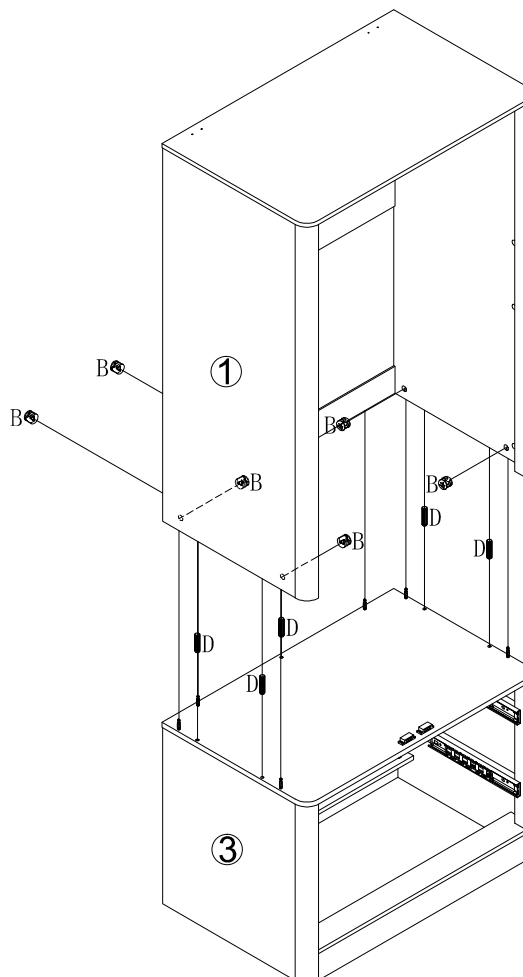


STEP 24

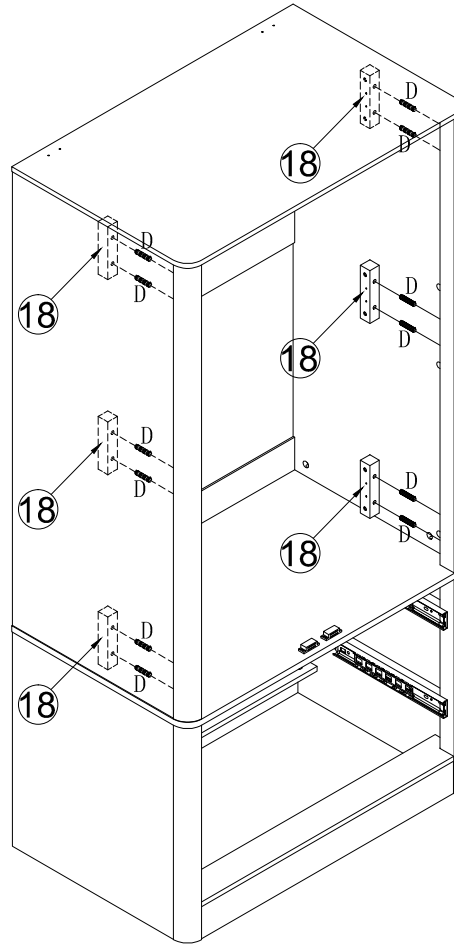
No. B
Quantity: 6 Pcs
Ø15



No. D
Quantity: 5 Pcs
8*30mm



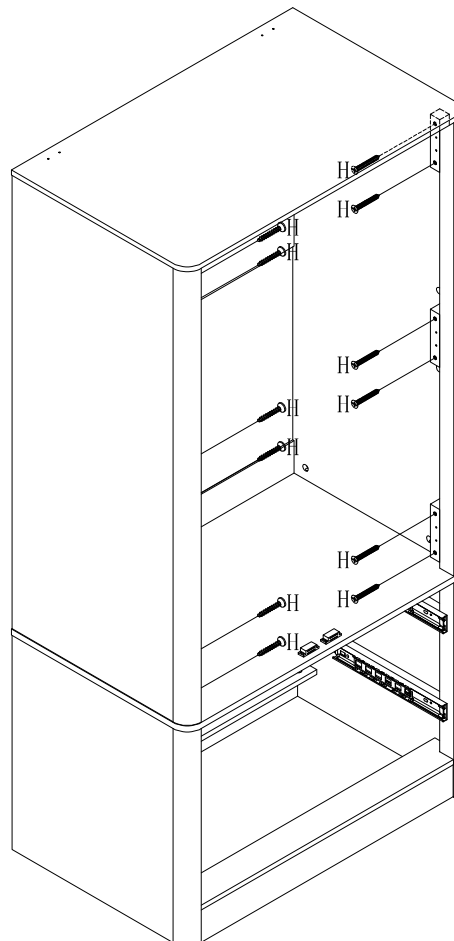
STEP 25



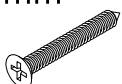
No. D
Quantity: 12 Pcs
8*30mm



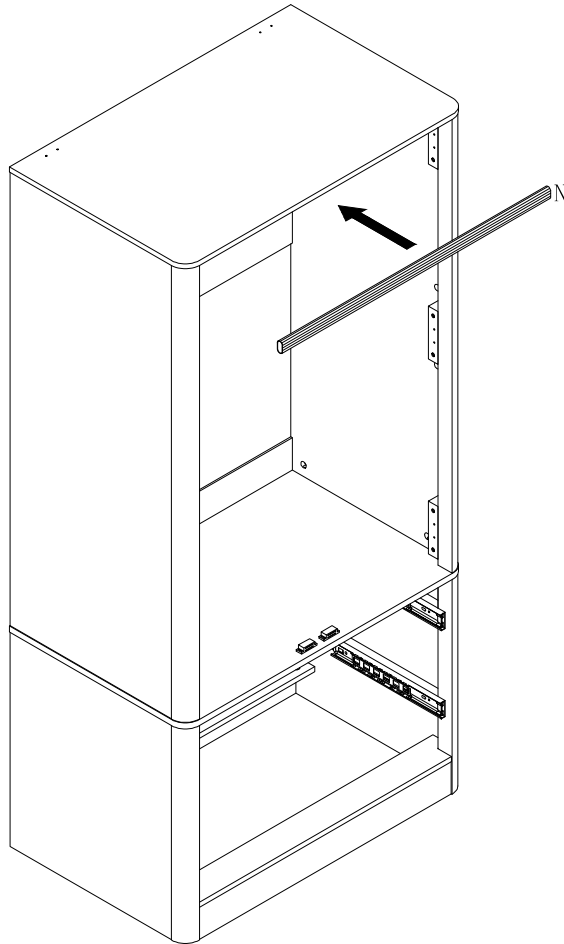
STEP 26



No. H
Quantity: 12 Pcs
M4*35mm



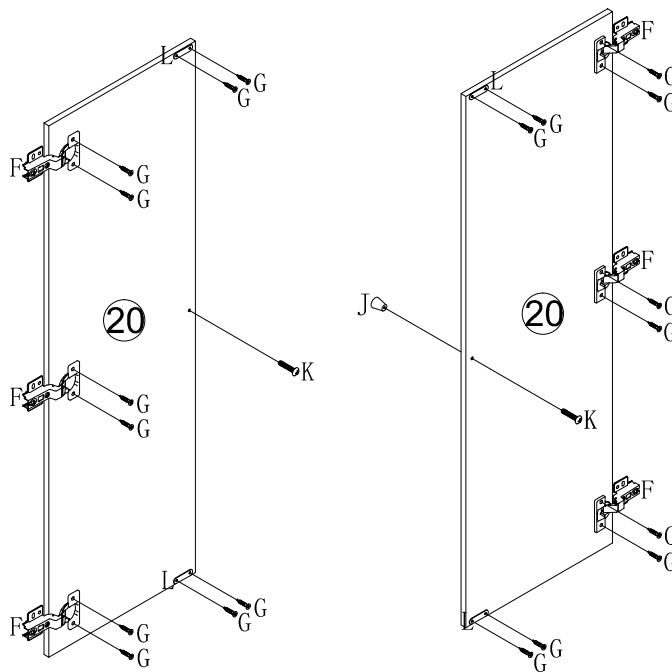
STEP 27



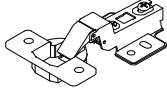
No. N
Quantity: 1 Pcs
762*28*15mm



STEP 28



No. F
Quantity: 6 Pcs



No. G
Quantity: 20 Pcs
M3.5*12mm



No. J
Quantity: 2 Pcs



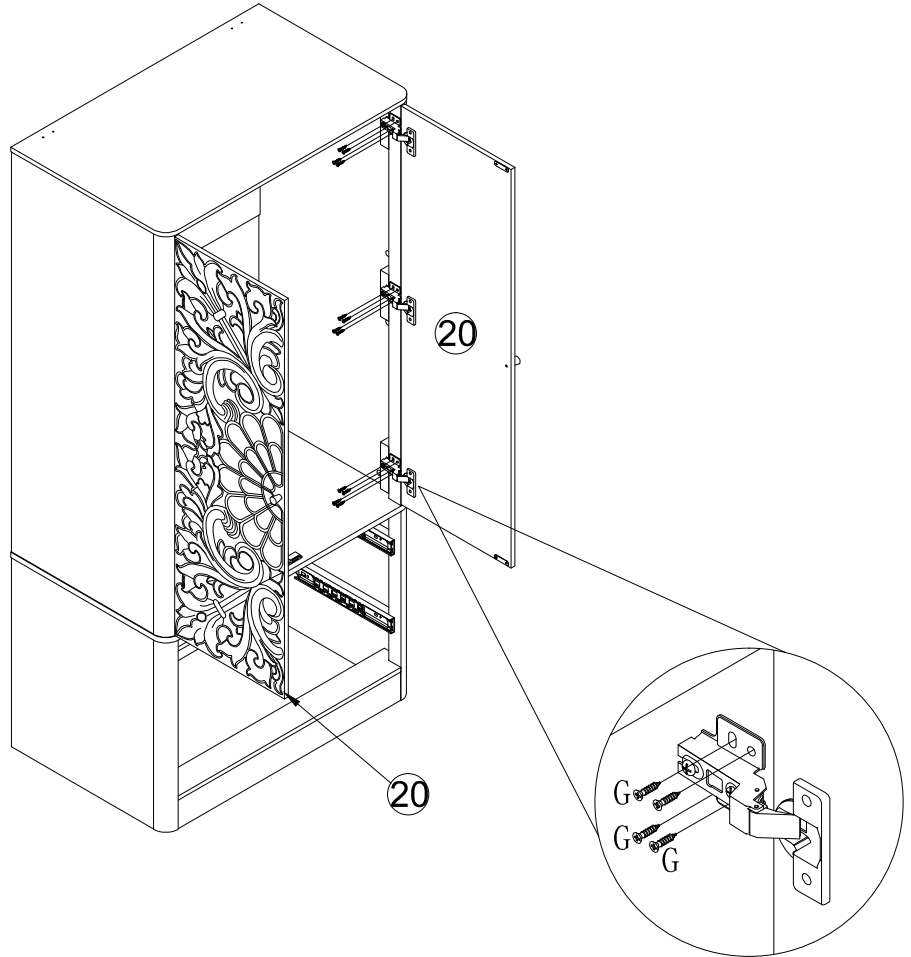
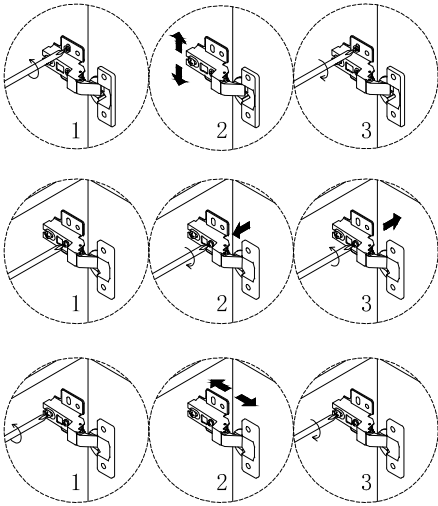
No. K
Quantity: 2 Pcs
M4*20mm



No. L
Quantity: 4 Pcs



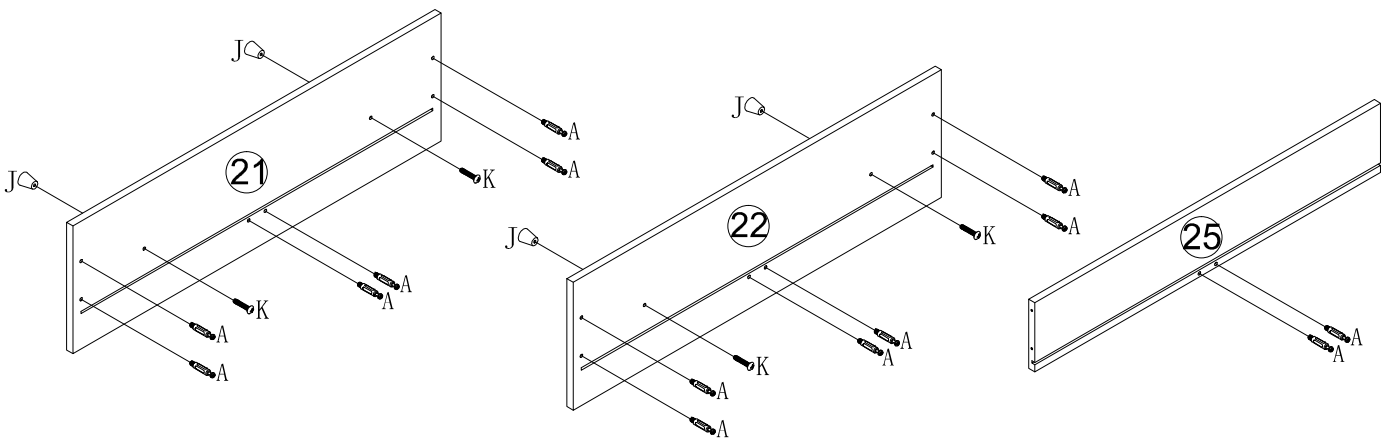
STEP 29



No. G
Quantity: 24 Pcs
M3.5*12mm



STEP 30



x1

x1

x2

No. A
Quantity: 16 Pcs
8*28 mm



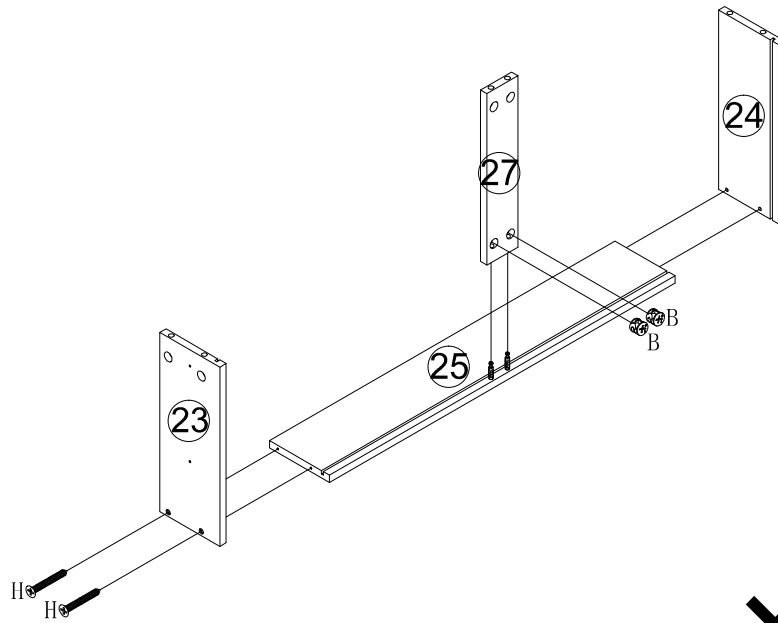
No. J
Quantity: 4 Pcs



No. K
Quantity: 4 Pcs
M4*20mm



STEP 31

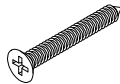


x2

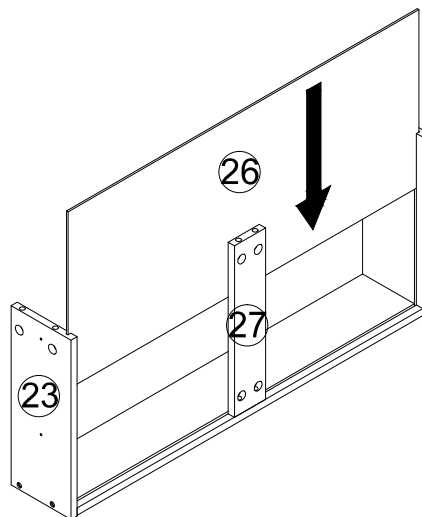
No. B
Quantity: 4 Pcs
Ø15



No. H
Quantity: 8 Pcs
M4*35mm

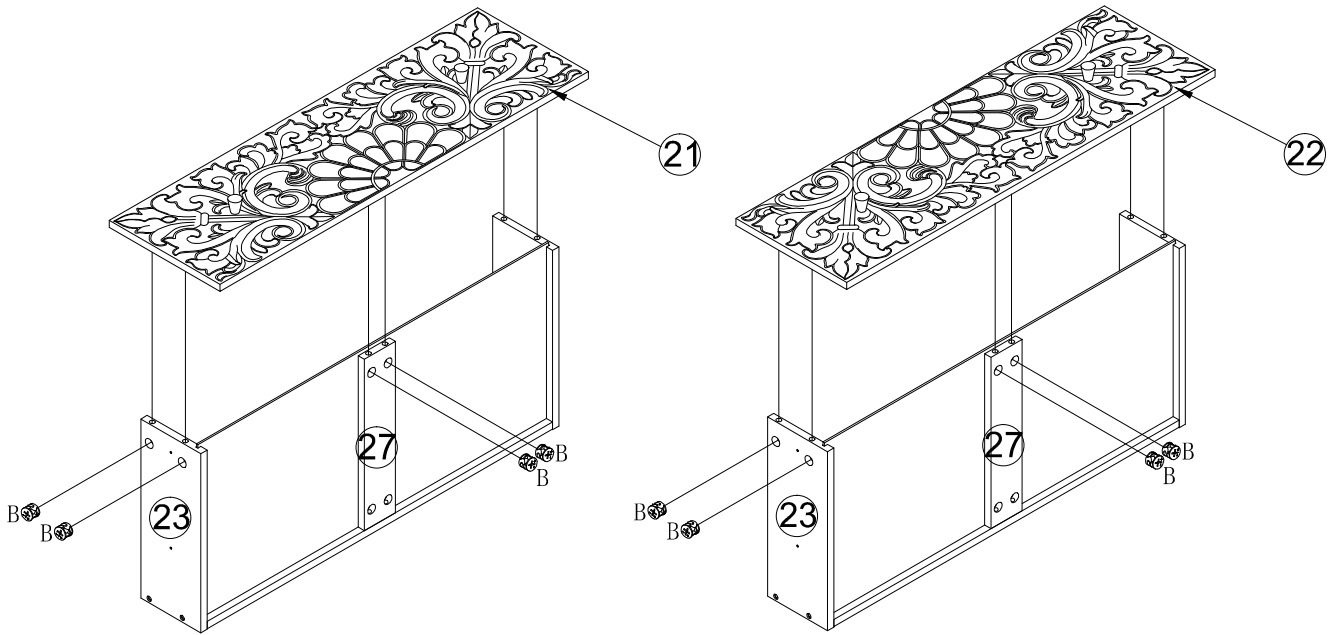


STEP 32



x2

STEP 33



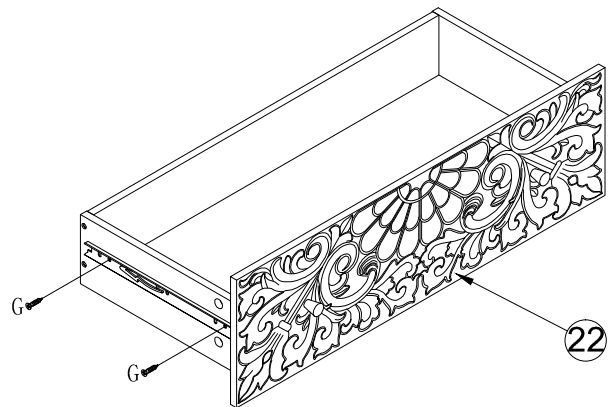
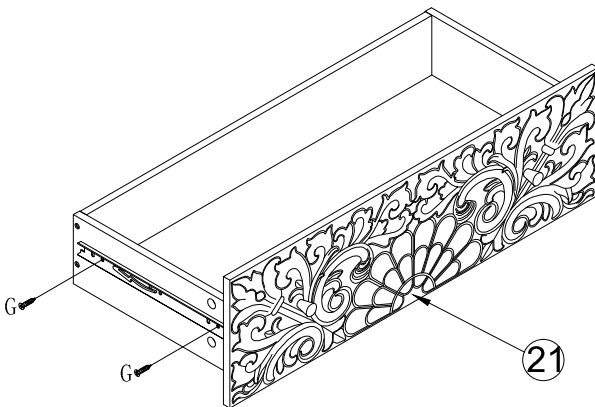
No. B
Quantity: 12 Pcs
Ø15



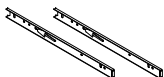
STEP 34



The first screw hole should corresponded with the board location hole



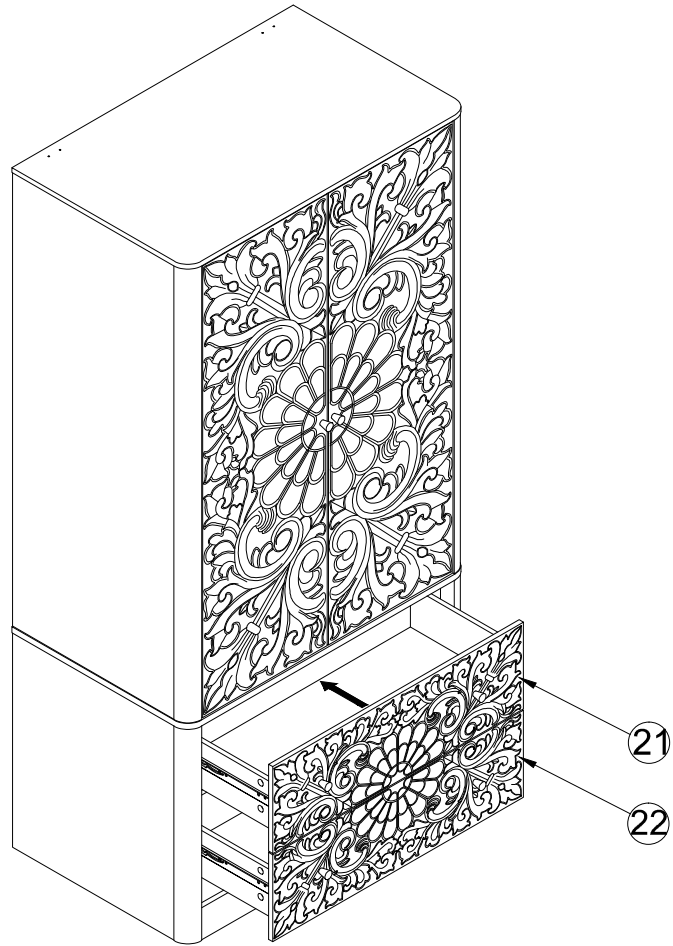
No. E
Quantity: 2 Sets
10"



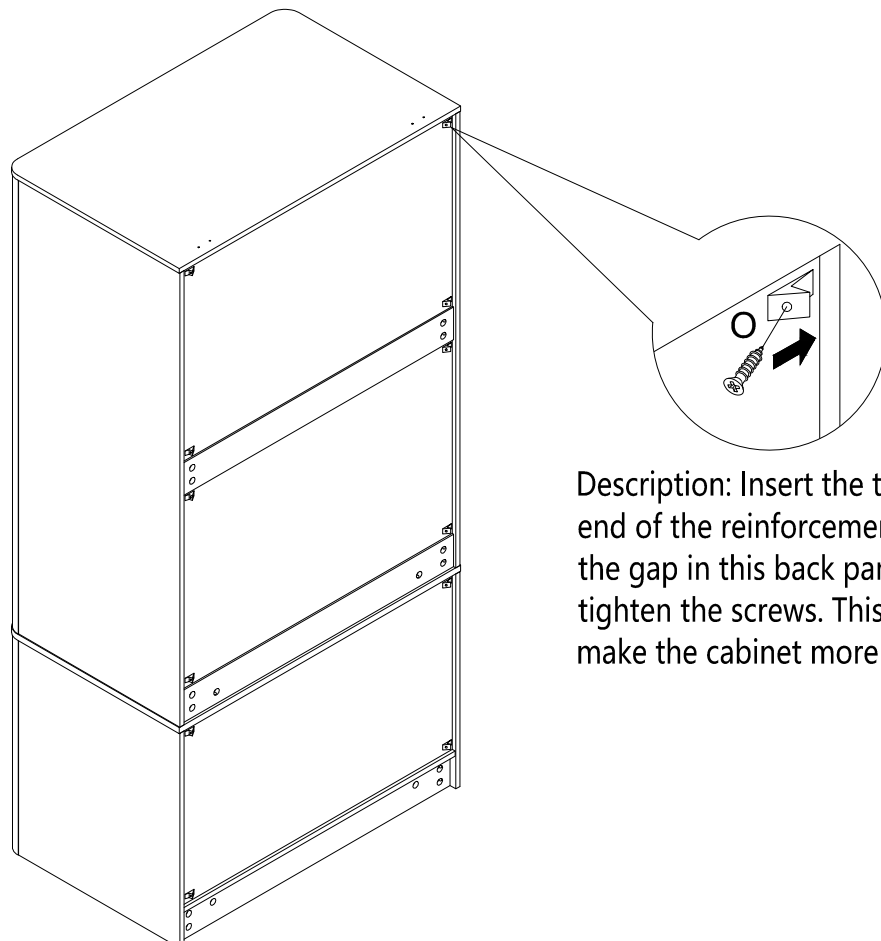
No. G
Quantity: 8 Pcs
M3.5*12mm



STEP 35

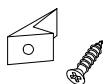


STEP 36

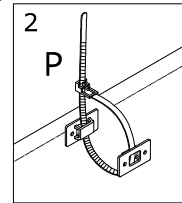
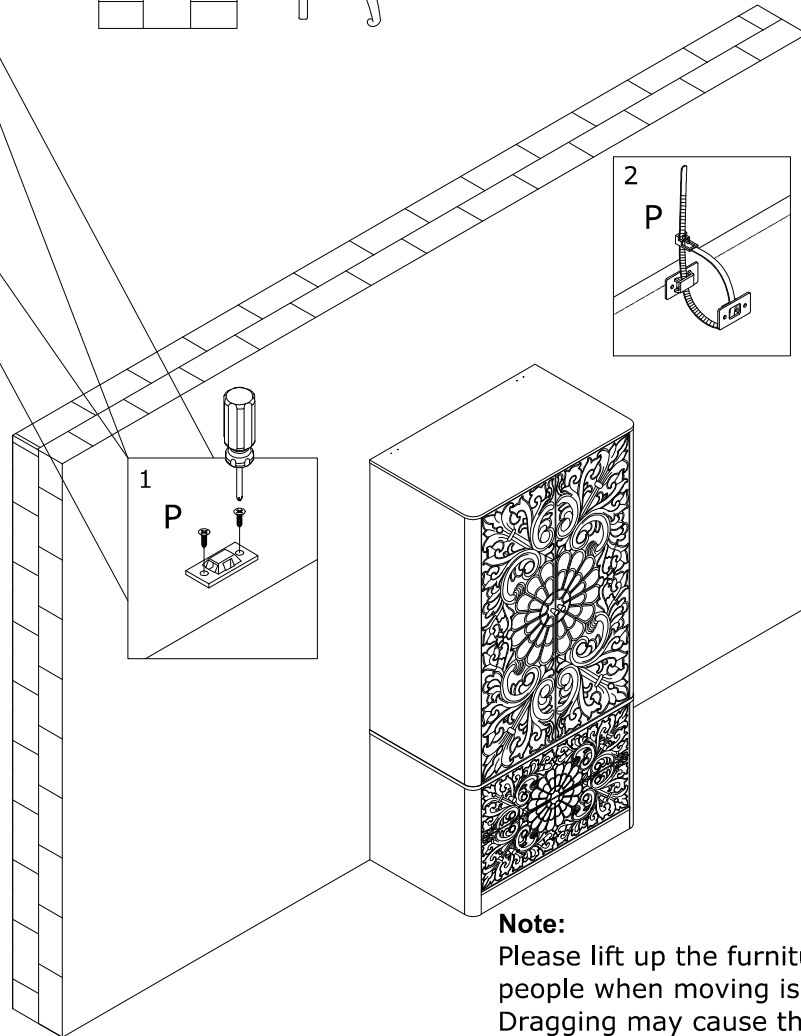
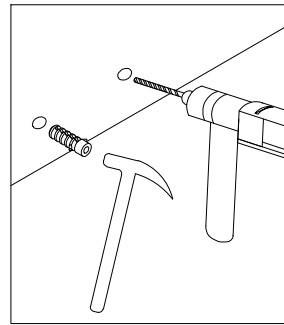
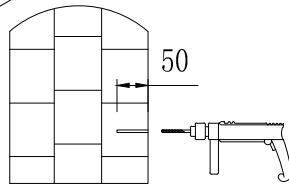
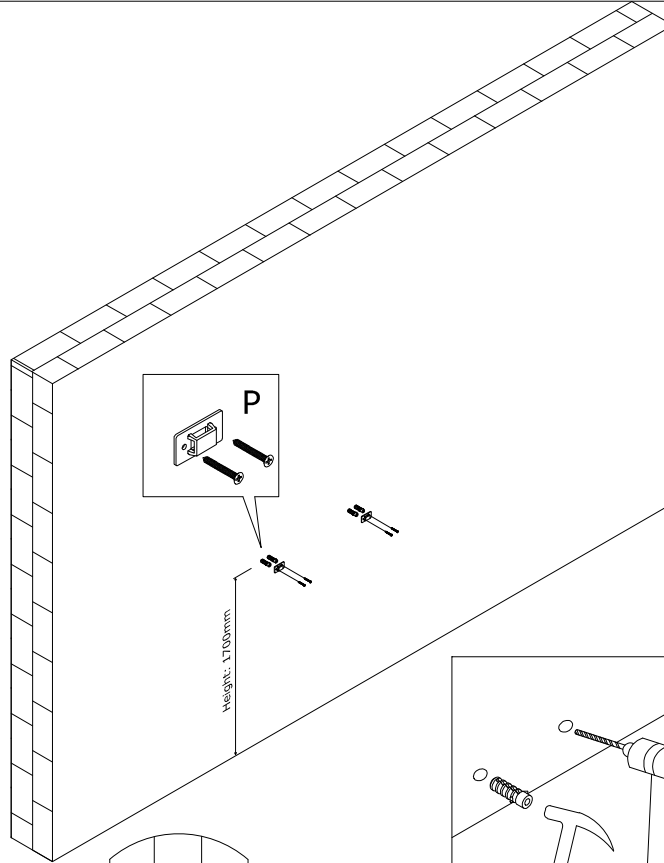
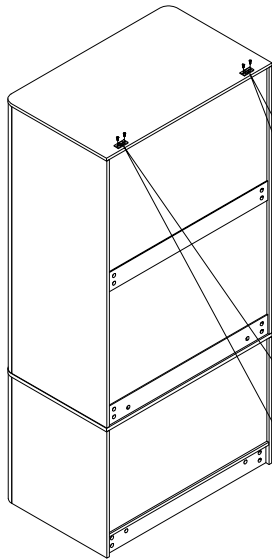


Description: Insert the thinner end of the reinforcement into the gap in this back panel, then tighten the screws. This will make the cabinet more stable.

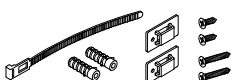
No. 0
Quantity: 12 Sets



STEP 37



No. P
Quantity: 2 Sets



Note:
Please lift up the furniture by two people when moving is needed.
Dragging may cause the legs failure.