

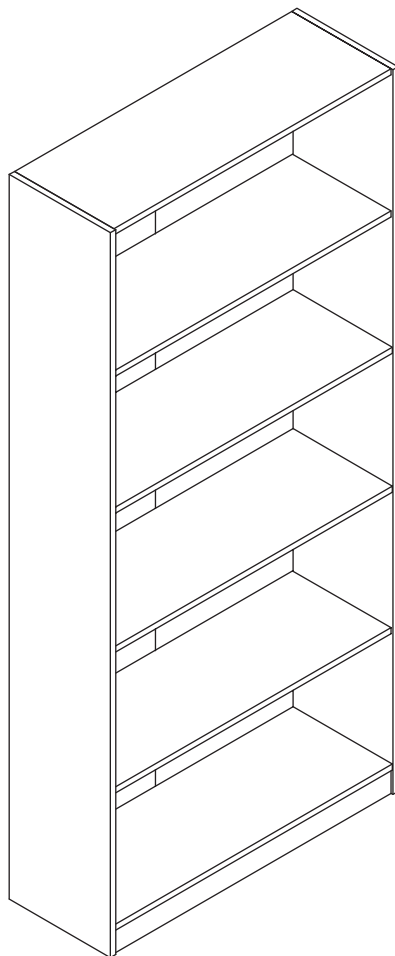
ASSEMBLY INSTRUCTION

PLEASE READ BEFORE ASSEMBLING!

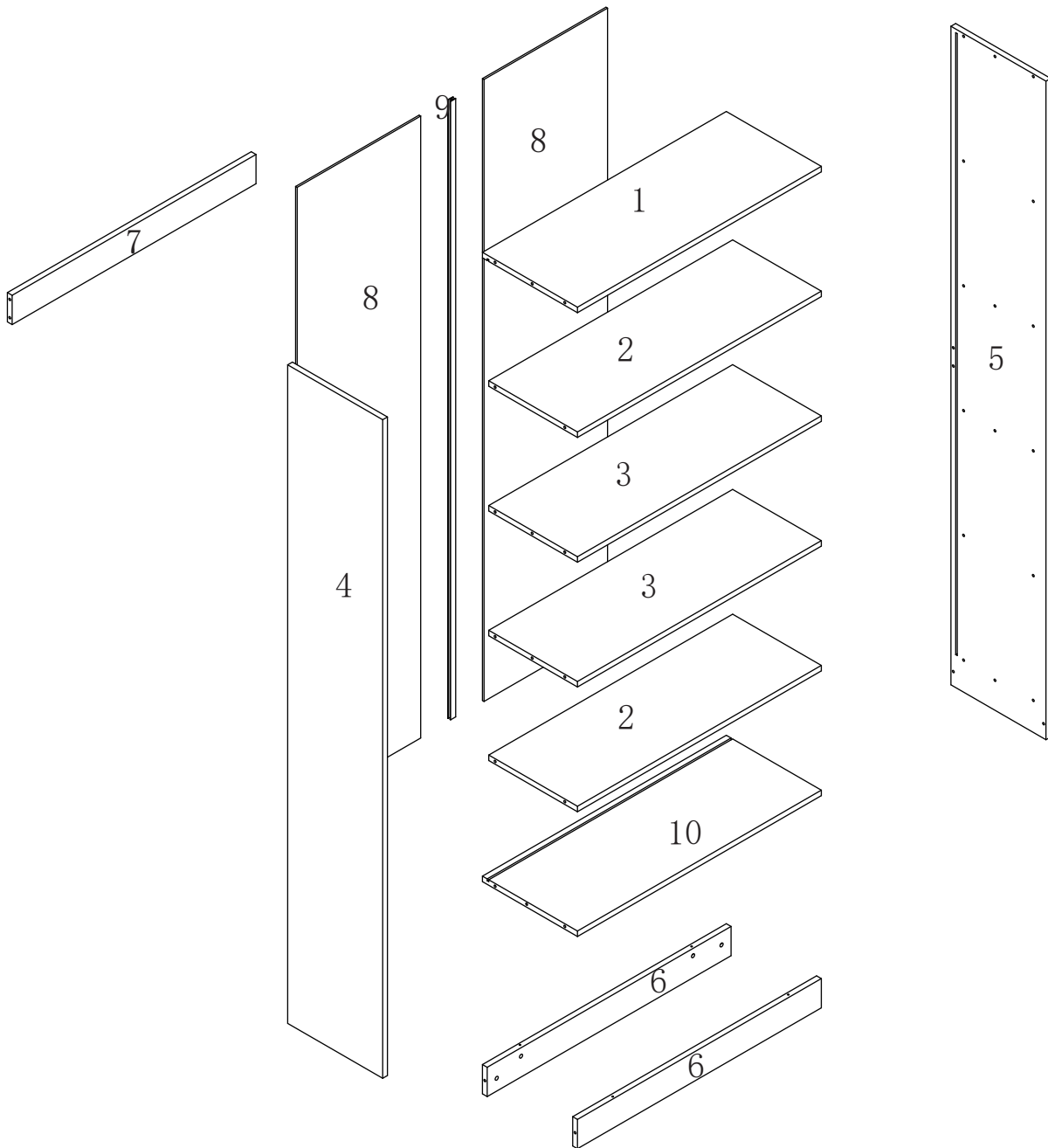
Tip #1: Make sure you've taken all the pieces and hardware out of its packaging before discarding the box.

Tip #2: Using page 2 and/or page 3 of instruction manual make sure all pieces and hardware are accounted for.

Tip #3: Read manual before assembling, it helps!

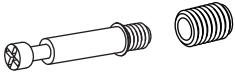


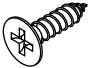
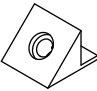
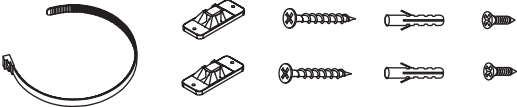


PARTS IDENTIFICATION

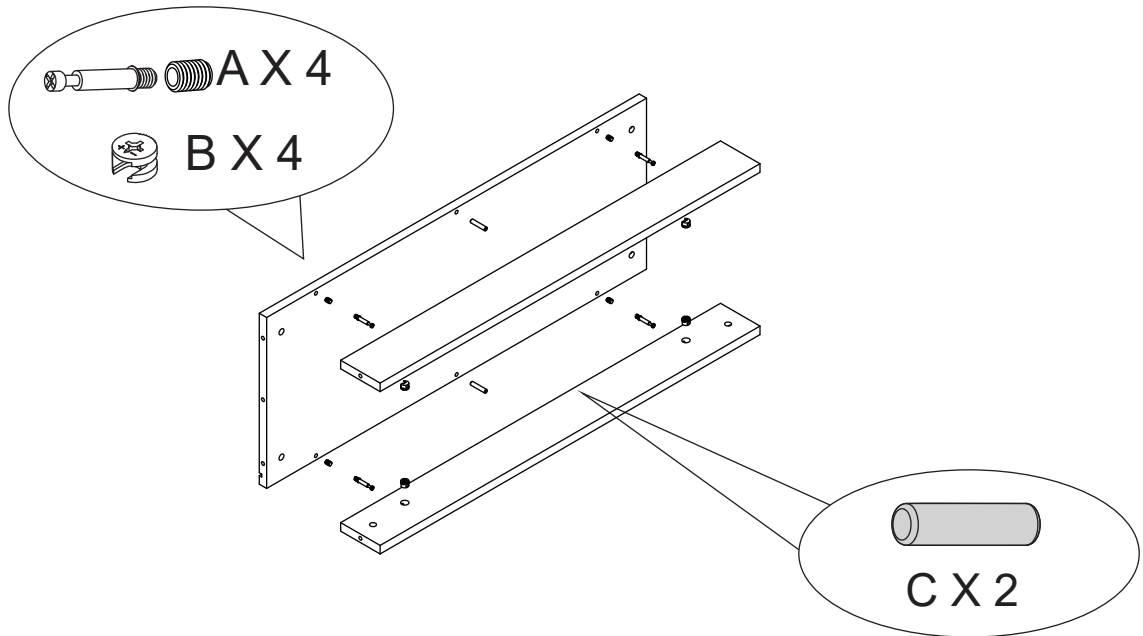


| | | | |
|-----|------|------|------|
| (1) | 1pc | (6) | 2pcs |
| (2) | 2pcs | (7) | 1pc |
| (3) | 2pcs | (8) | 2pcs |
| (4) | 1pc | (9) | 1pc |
| (5) | 1pc | (10) | 1pc |

HARDWARE IDENTIFICATION

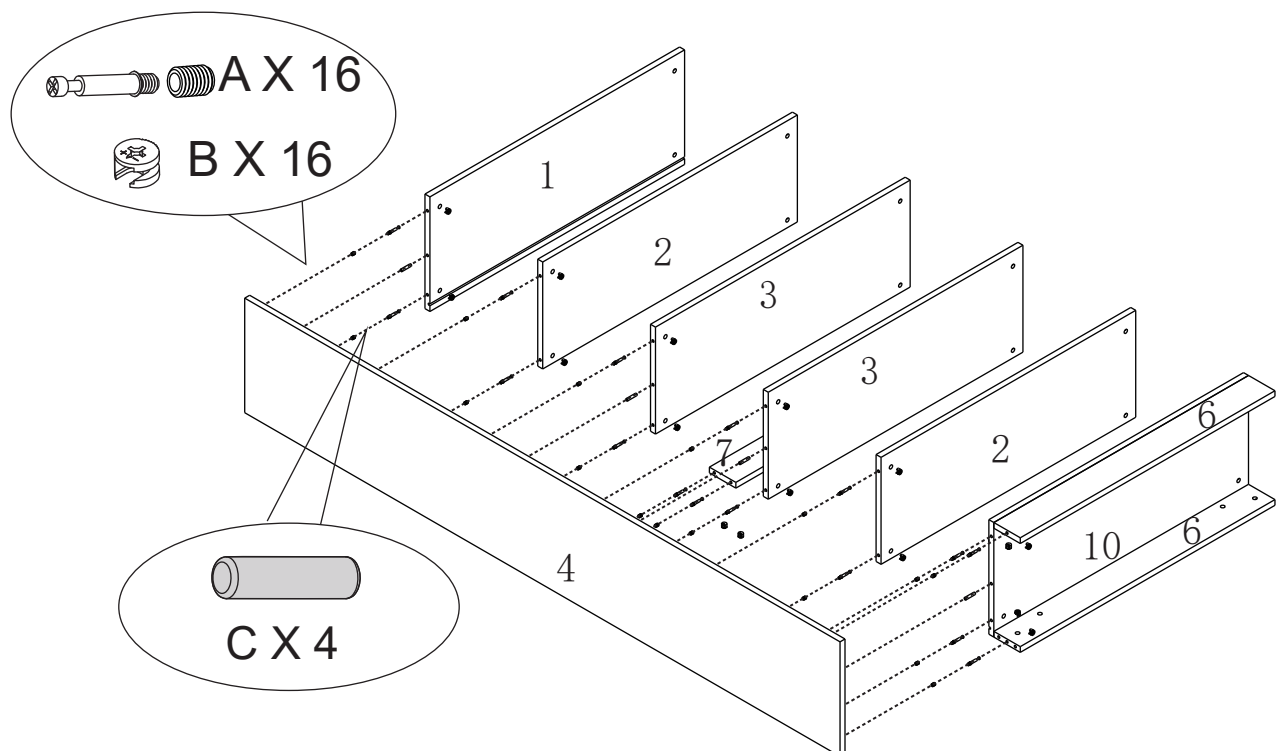
| | | | |
|---|--|----------------------|-------|
| A |  | $\phi 6 \times 40$ | 36pcs |
| B |  | $\phi 12 \times 12$ | 36pcs |
| C |  | $\phi 8 \times 30$ | 10pcs |
| D |  | $\phi 3.5 \times 16$ | 12pcs |
| E |  | | 12pcs |
| F |  | | 1set |

ASSEMBLY INSTRUCTION

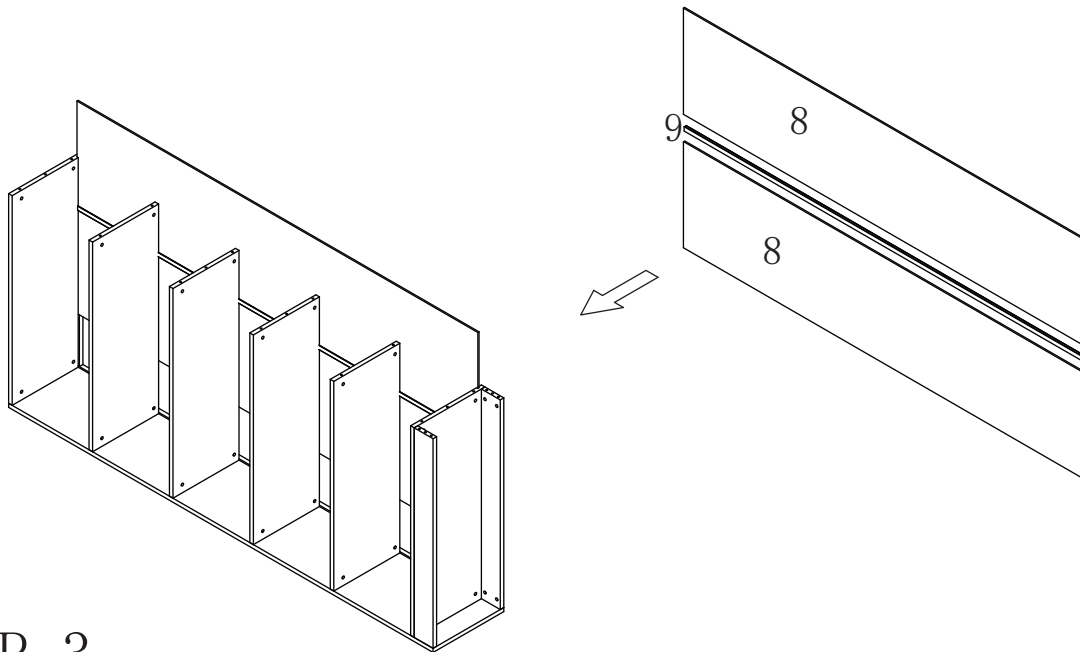


STEP 1

STEP 2

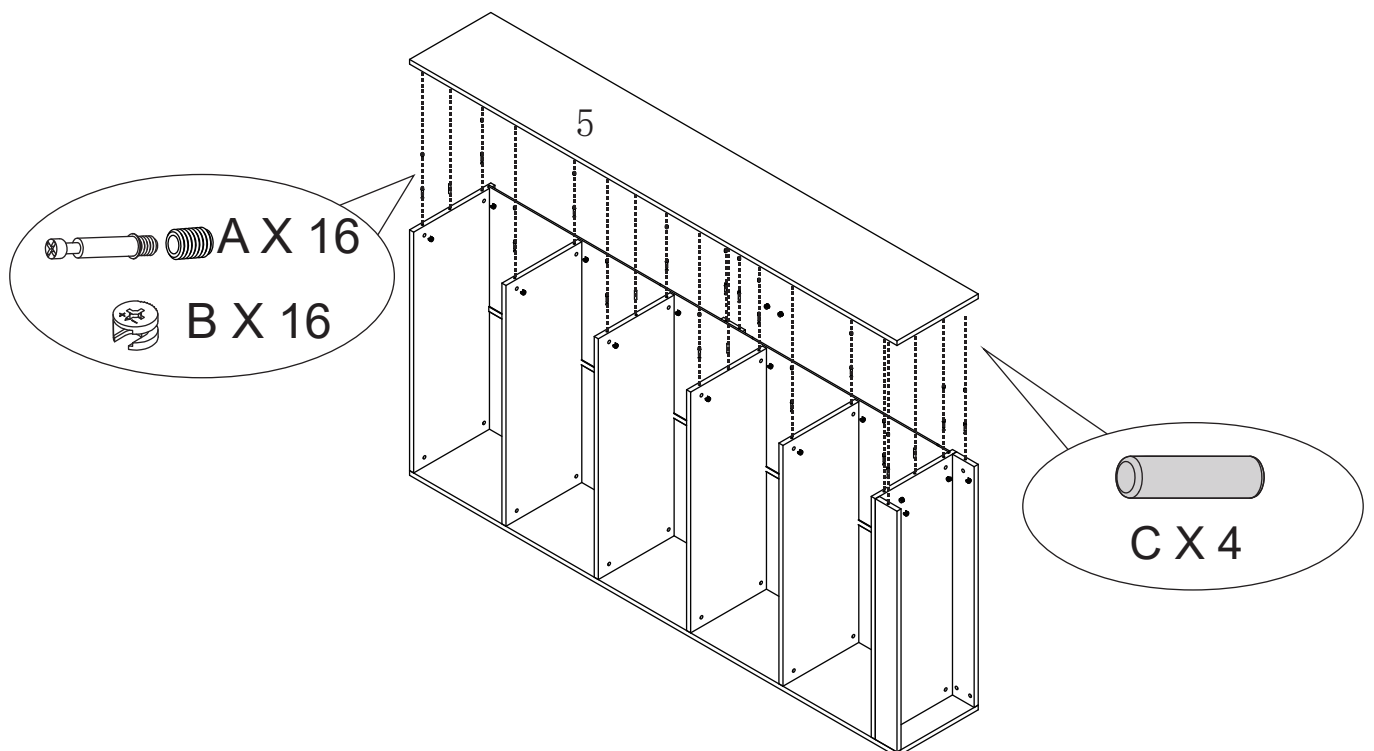


ASSEMBLY INSTRUCTION

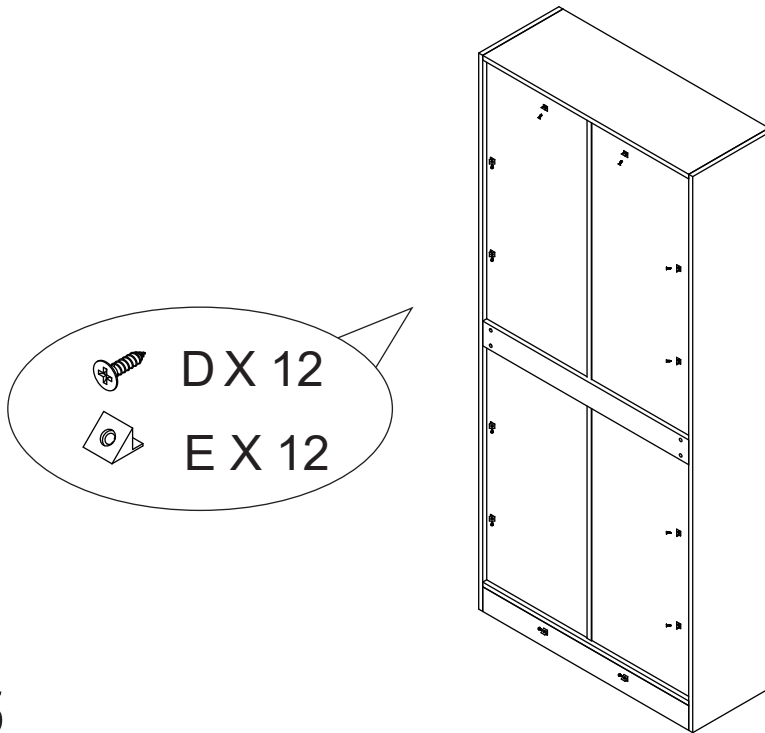


STEP 3

STEP 4



ASSEMBLY INSTRUCTION



STEP 5

STEP 6

