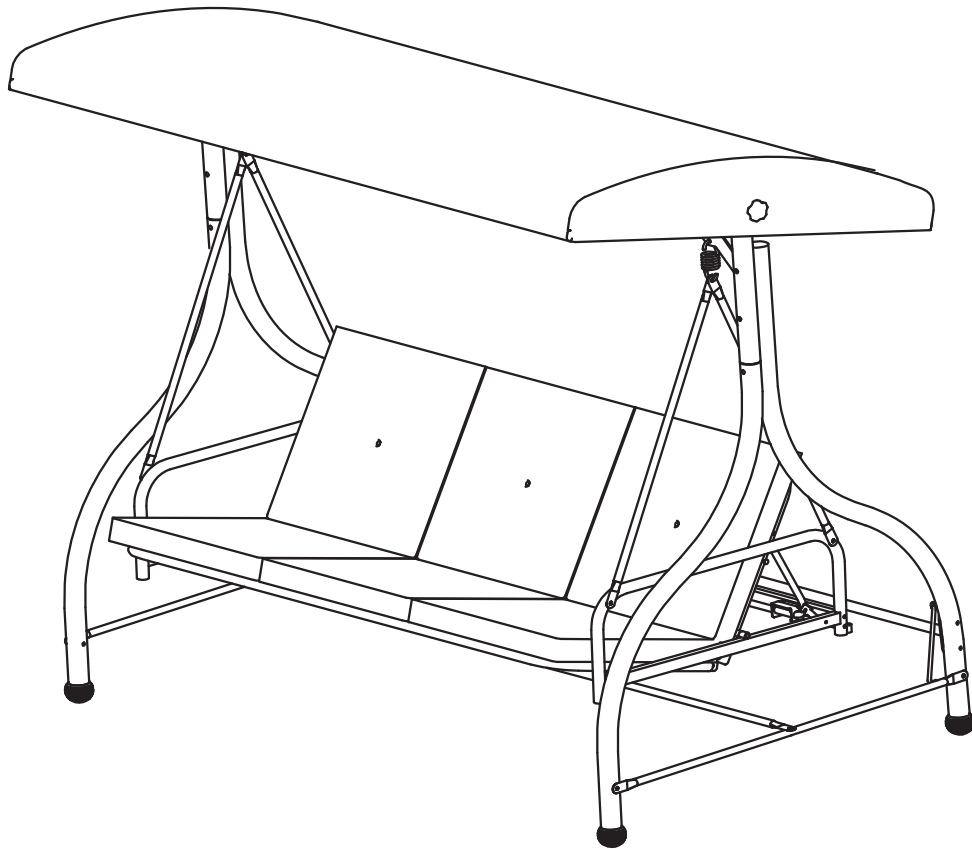


ASSEMBLY INSTRUCTIONS





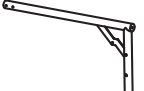






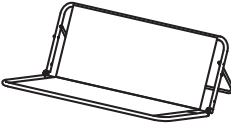


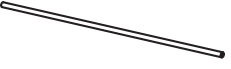


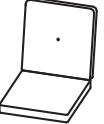

3 Person Porch Swing

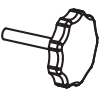
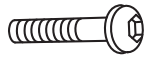
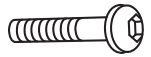

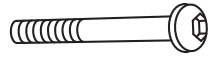
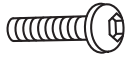
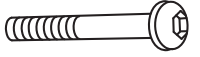
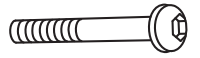
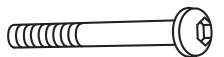
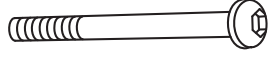











Thanks for choosing our product. Please kindly check parts listed below and read this manual carefully, then assemble them step by step. Please feel free to contact us for any questions.



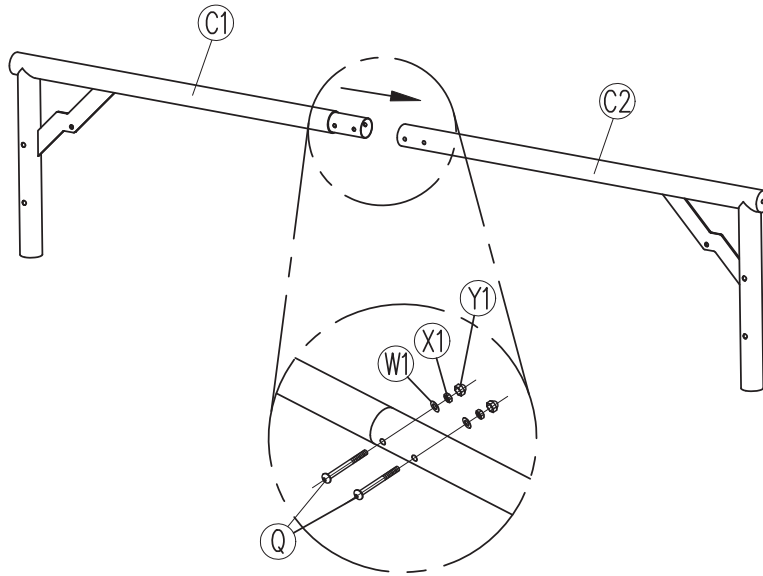
Attention

1. Please follow the instruction step by step to complete the installation. Always place the product on a flat, steady and stable surface.
2. Keep all small parts and packaging materials for this product away from babies and children as they may pose a choking hazard.
3. We recommend that all items are assembled near to the area in which they will be placed in use, to avoid moving the product unnecessarily once assembled.

A		2
B		1
B1		1
C1		1
C2		1
D		4
E		1
E1		1
F		2
G1		1
G2		1
H		1
I1		1
I2		1
J		1
K		1
L		1
M		3
N		2

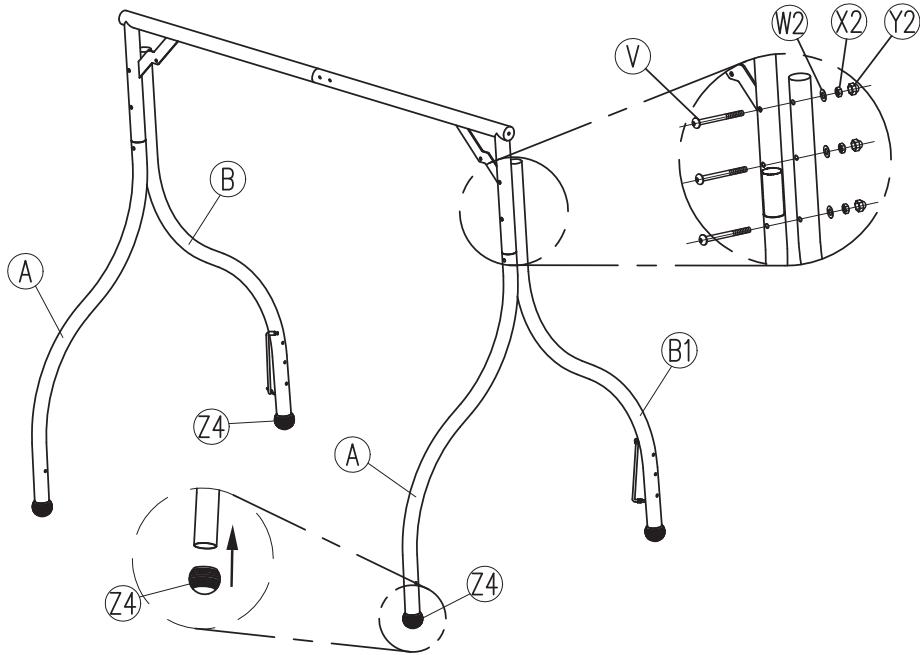
O			2
P		M6*28	1
P1		M6*32	3
Q		M6*58	2
Q1		M6*62	8
R		M8*20	4
S		M8*40	2
T		M6*38	4
U		M8*74	2
V		M8*104	6
W1			14
W2			8
X1			14
X2			8
Y1			14
Y2			8
Z			2
Z1			1
Z2			1
Z3			1
Z4			4

STEP1

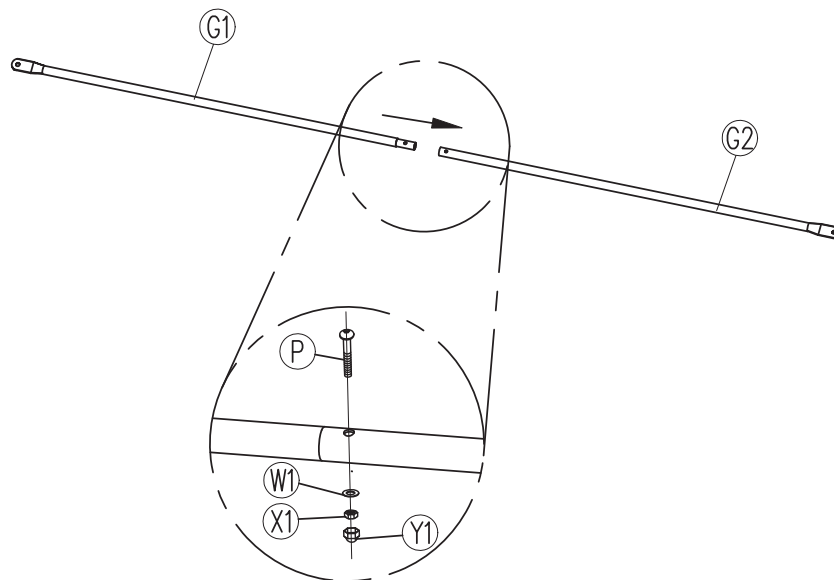


STEP2

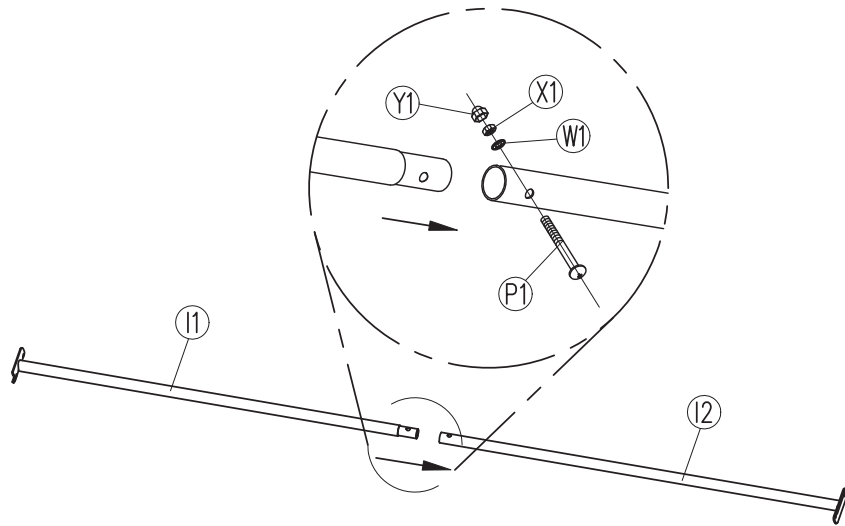
Please carefully check the type and quantity of screws for correct installation. (Considering both sides and 4 corners of the swing)



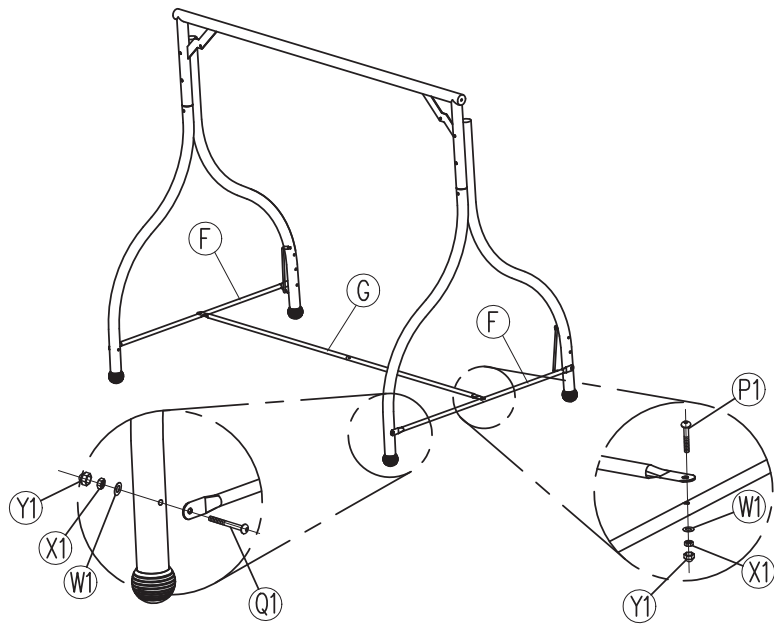
STEP3



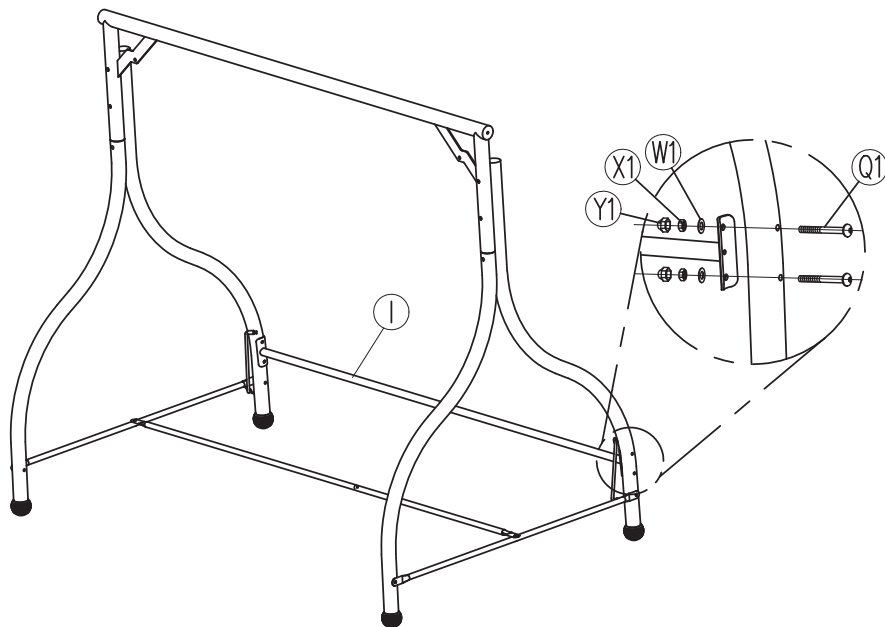
STEP4



STEP5

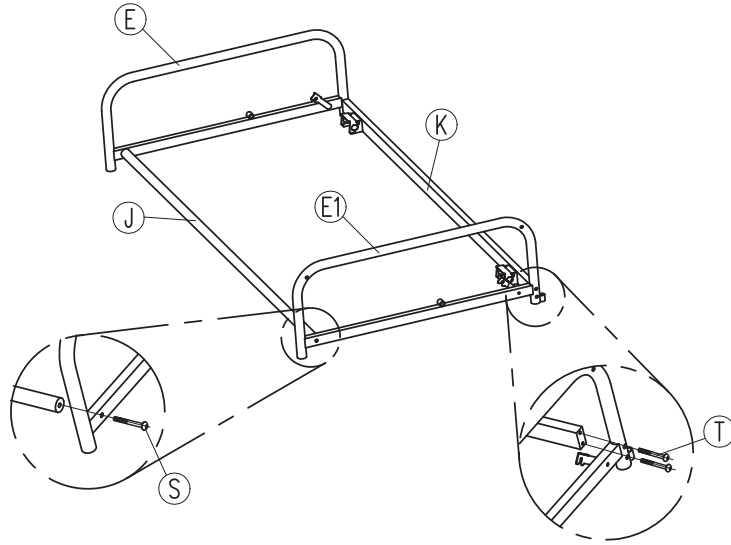


STEP6



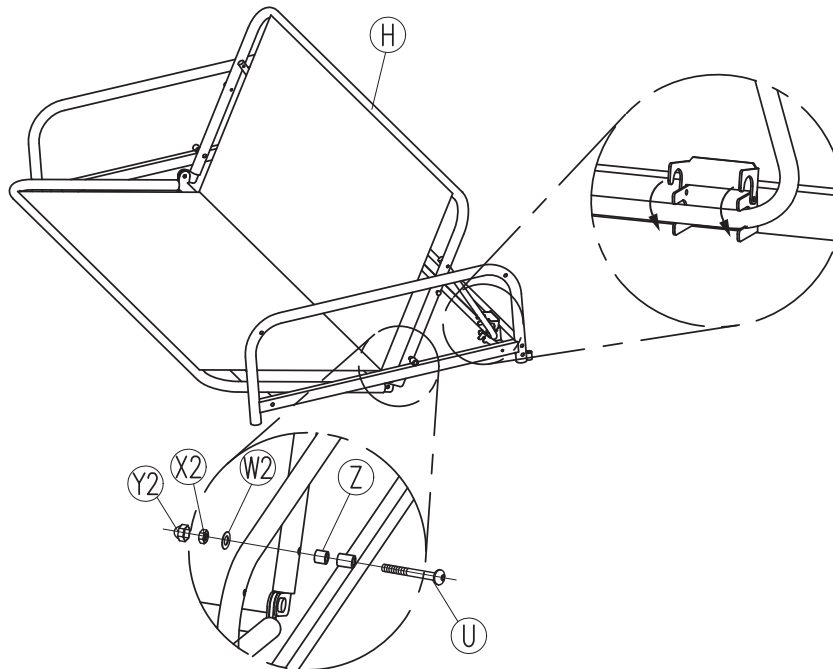
STEP7

Please carefully check the type and quantity of screws for correct installation.
(Considering both sides and 4 corners of the swing)

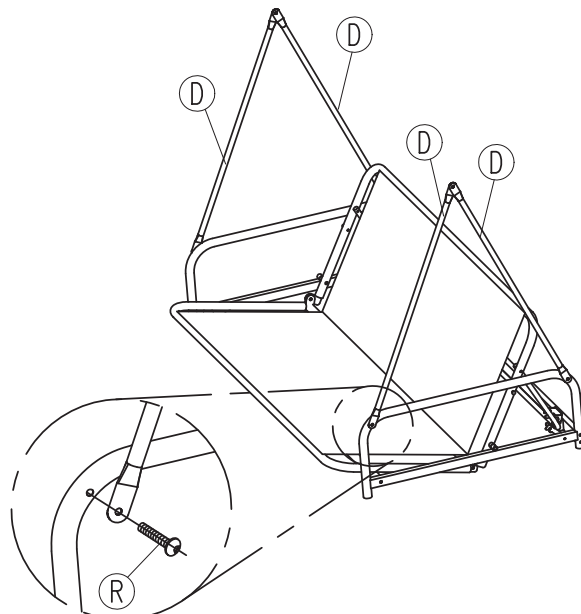


STEP8

The 2 buttons on the back hold the pole.

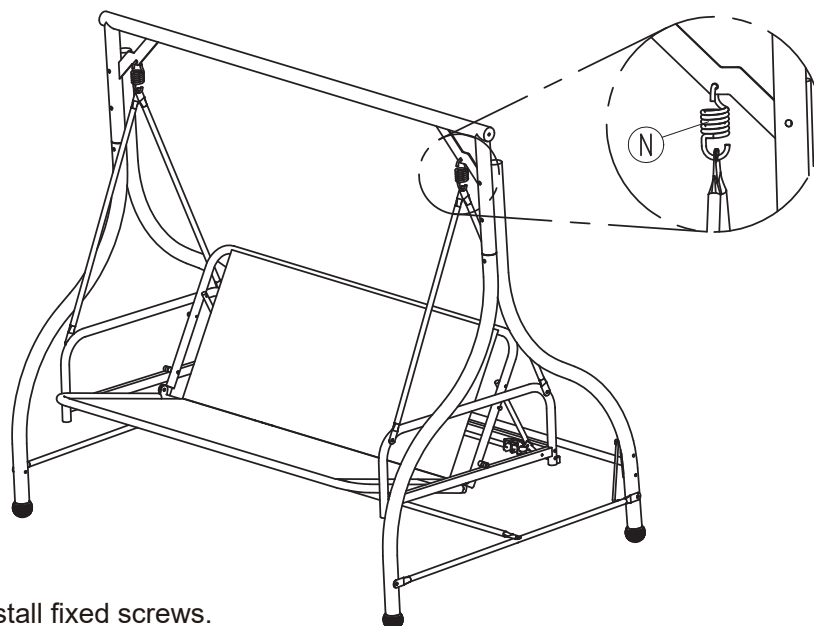


STEP9



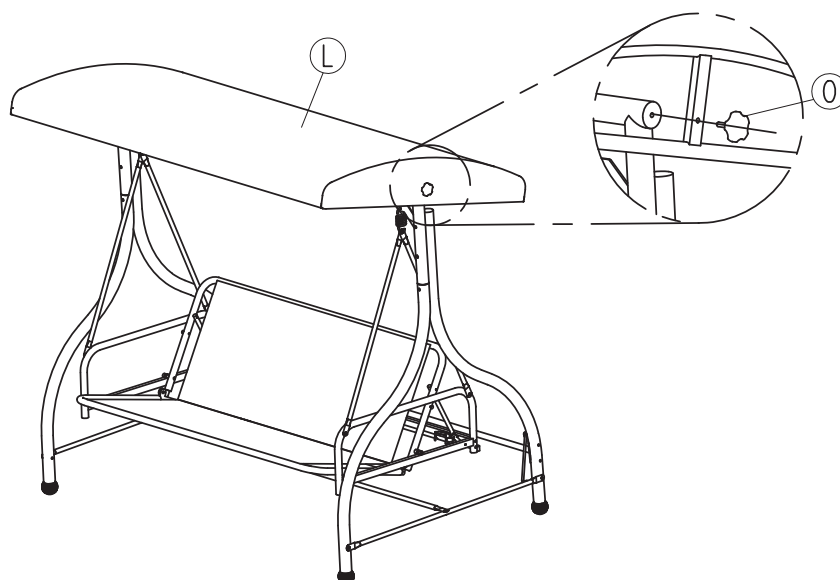
STEP10

Install steel spring hooks.



STEP11

Install fixed screws.



STEP12

Adjust the plug to flatten the seat.

