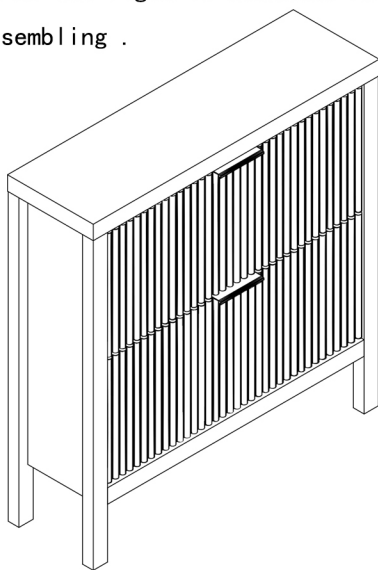
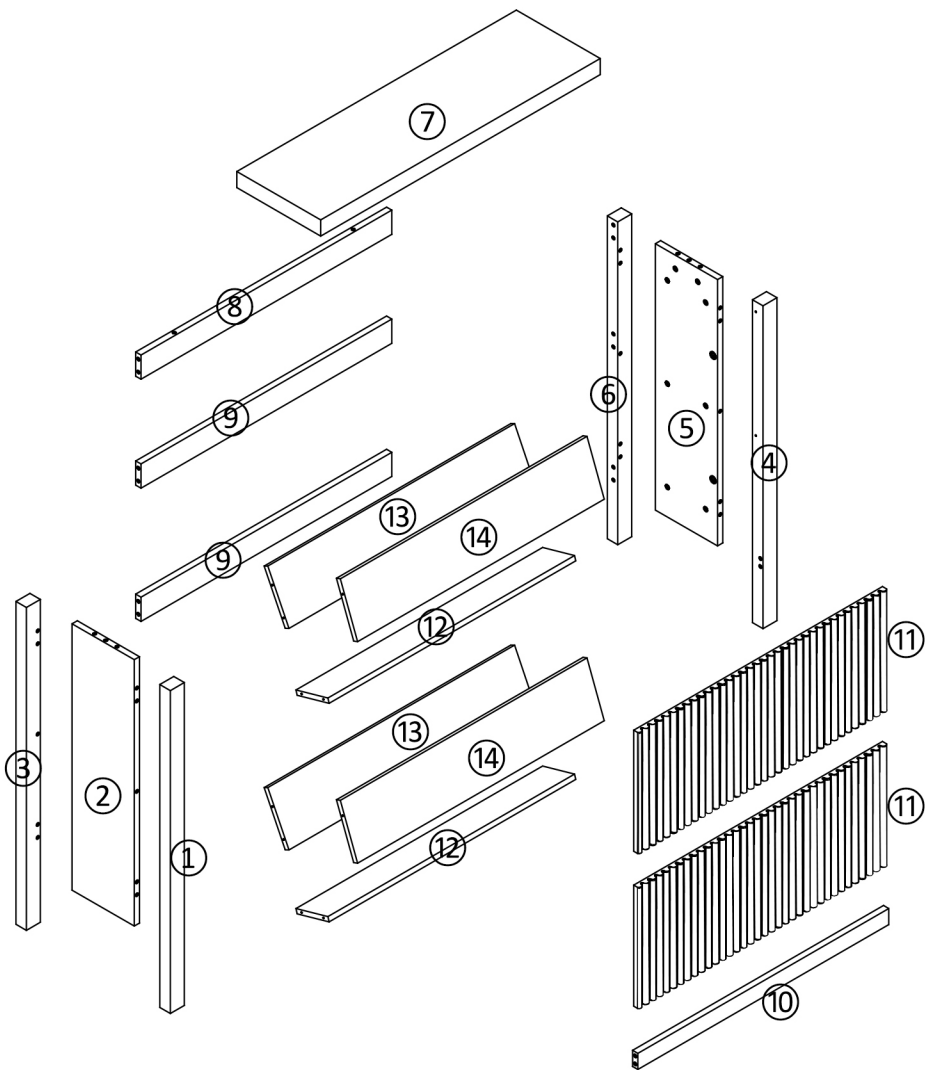
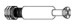




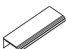







# ASSEMBLY INSTRUCTION

- Read the assembly instructions carefully before beginning assembly.
- Ensure the safety of the glass during assembly.
- Do not over tighten the screws and bolts as this may damage the threads.
- Insert the screw into the hole as shown in the figure, follow the arrow in the picture, and then rotate 90° or 180° clockwise.
- Keep the small accessories in the accessory bag away from children.
- The remaining parts are spare parts.
- Kind tips: when installing the white backboard, install the white side inward.
- The operating instruction of RGB light is included in the package. Read it carefully when assembling .



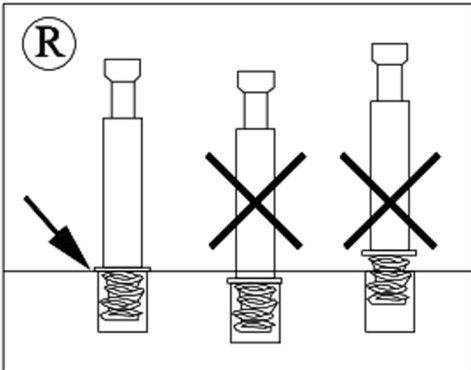
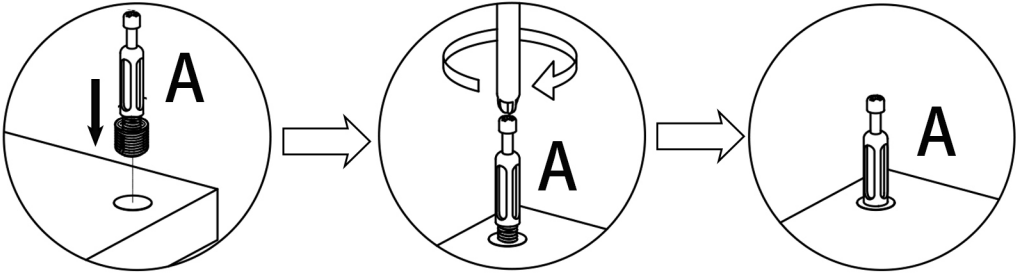


<b>A</b>  32pcs	<b>B</b>  32pcs	<b>C4</b>  3.5*16 36pcs	<b>C8</b>  3.5*12 4pcs	<b>E</b>  8*40 12pcs	<b>F</b>  2pcs	<b>X</b>  2pcs	<b>AG</b>  1pcs	<b>AM</b>  Decorative paper 16pcs	<b>AP</b>  Anti-slip sticker 4pcs
<b>BP</b>  2pcs									



# Hardware installation demonstration

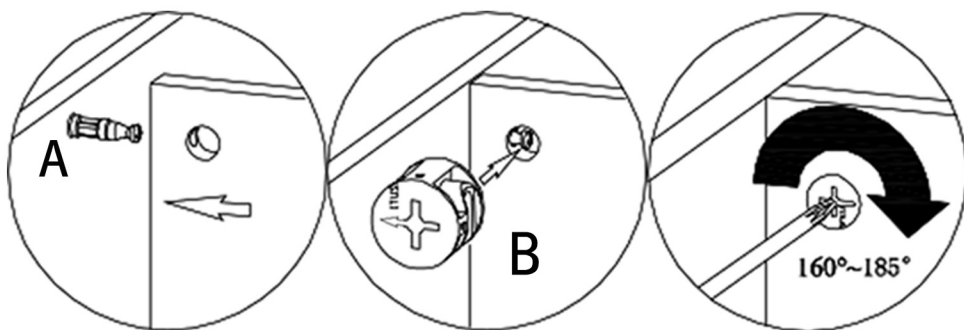
● Please make sure "A" hardware tightened and can't be pulled out



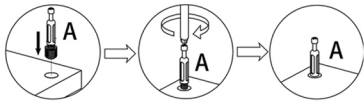
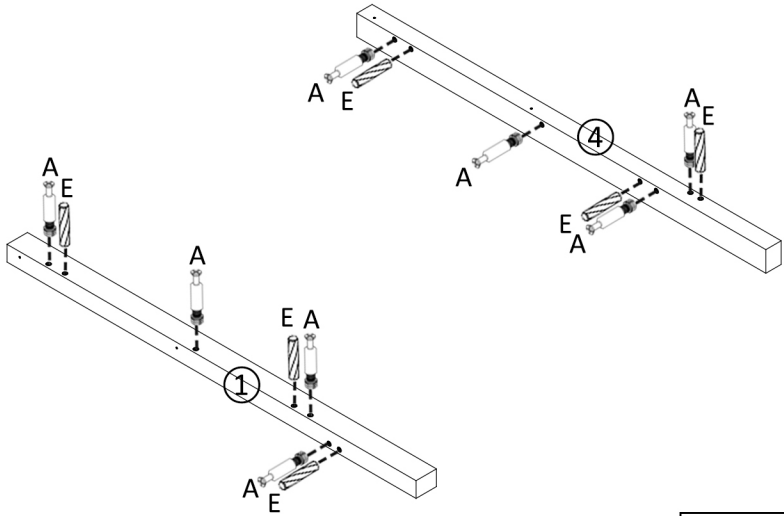


## Hardware installation demonstration

- When inserting cam ensure arrowhead on cam points toward the hole on the panel edge

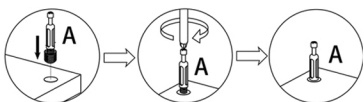
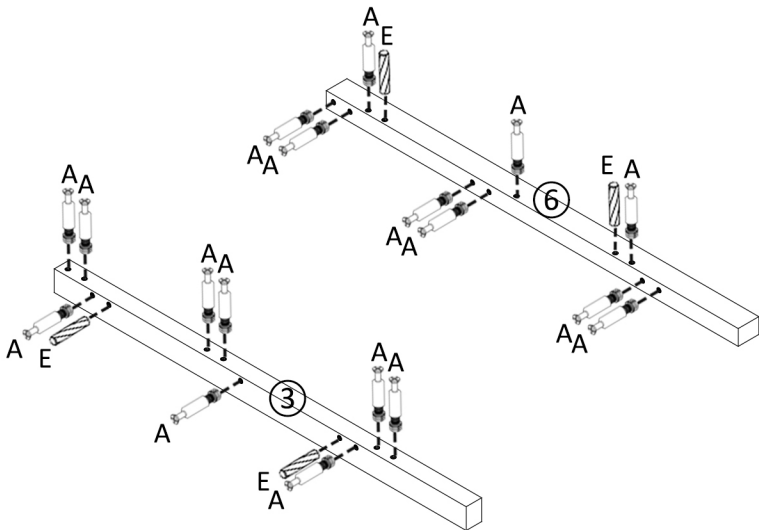


# STEP 1



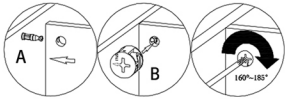
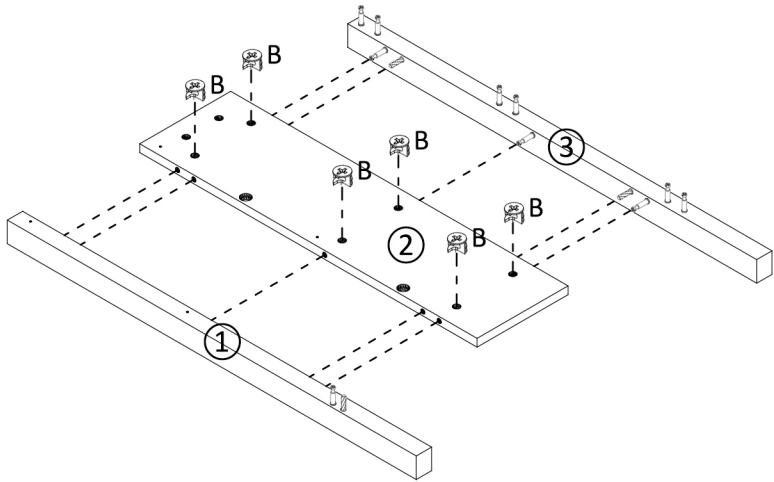
	E*6
	A*8

# STEP 2



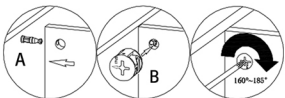
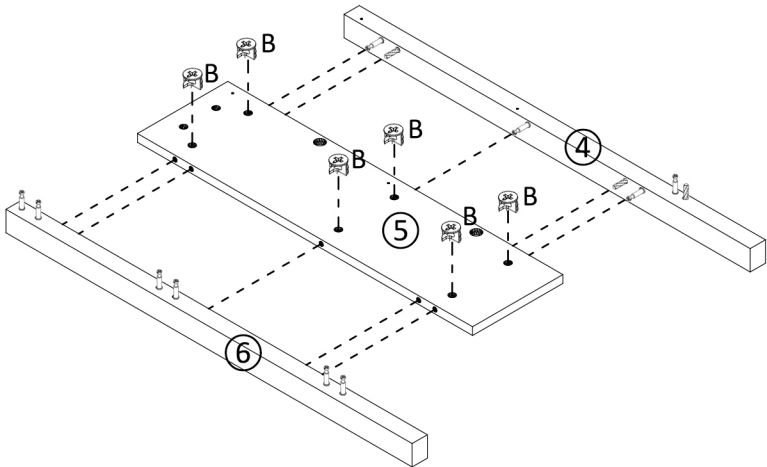
	E*4
	A*18

# STEP 3



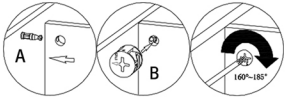
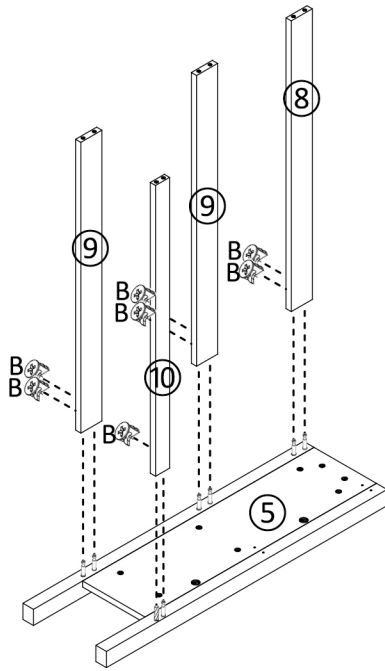
B\*6

# STEP 4



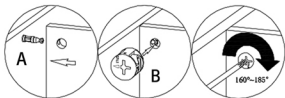
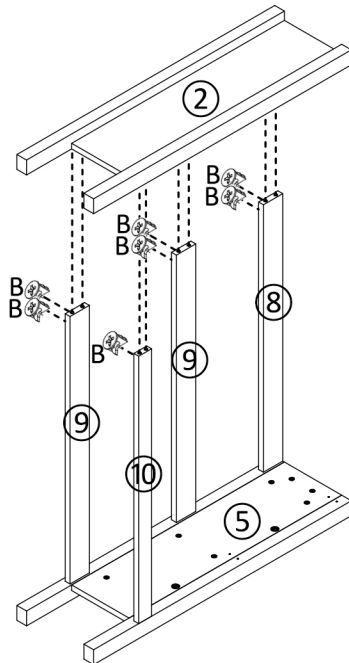
B\*6

# STEP 5



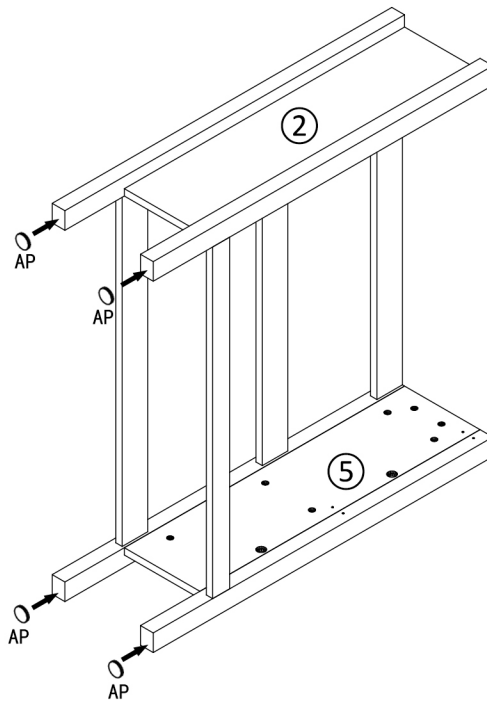
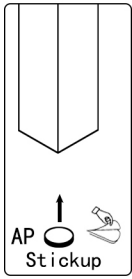
B\*7

# STEP 6

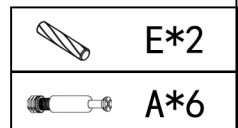
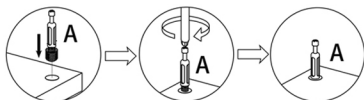
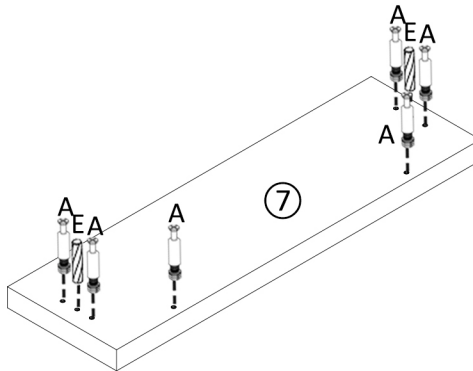


B\*7

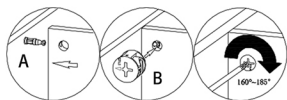
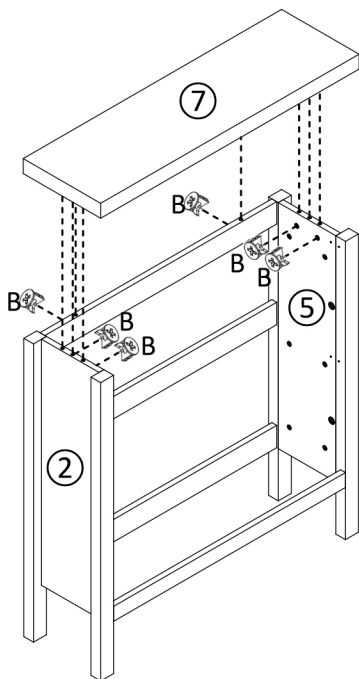
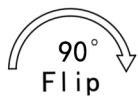
# STEP 7



# STEP 8

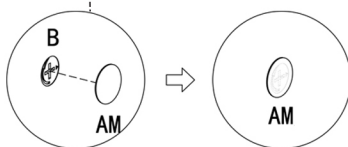
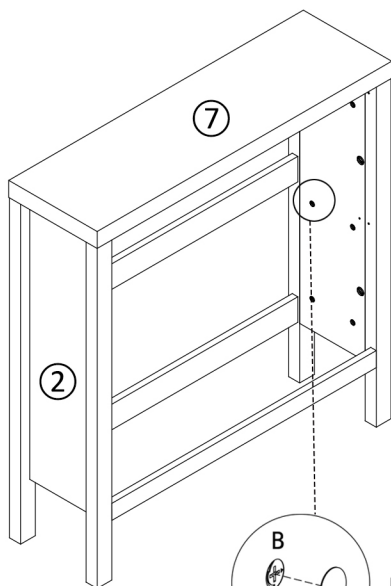


# STEP 9



B\*6

# STEP 10

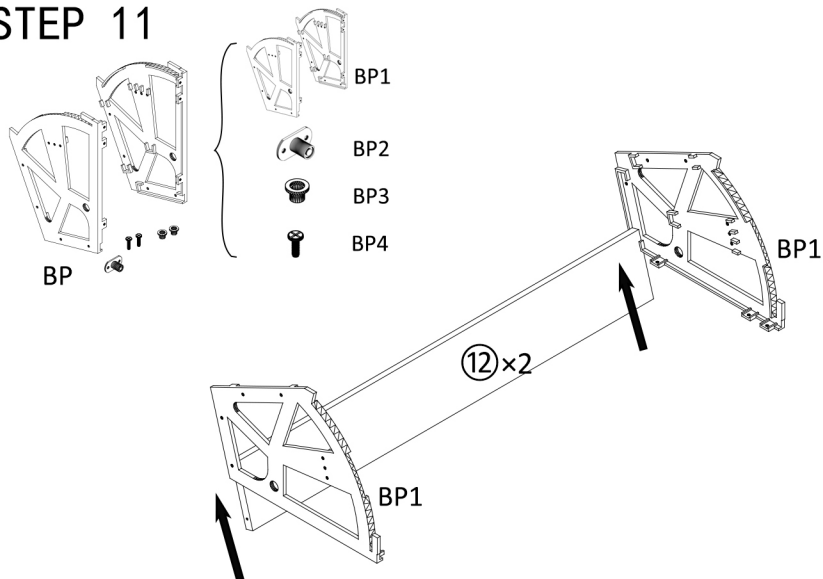


Please stick the decorative paper on the hole



AM\*16

# STEP 11



Note:

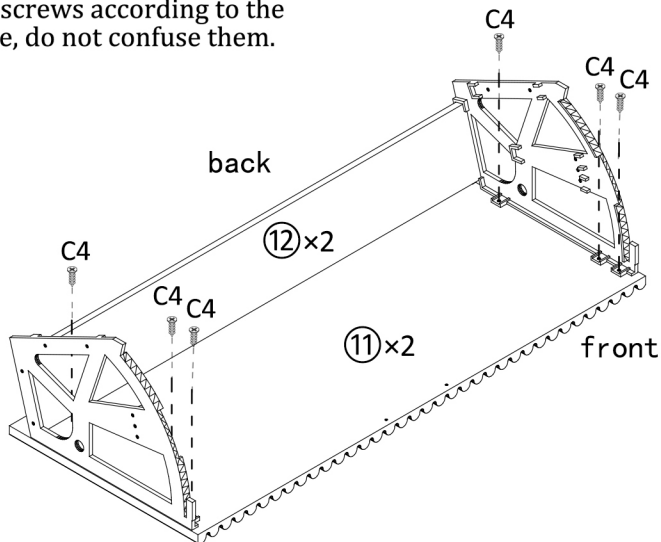
BP1 components must be used in matched left-right pairs.

Please separate the parts in bag No.BP according to the picture and mark them as BP1, BP2, BP3 and BP4.



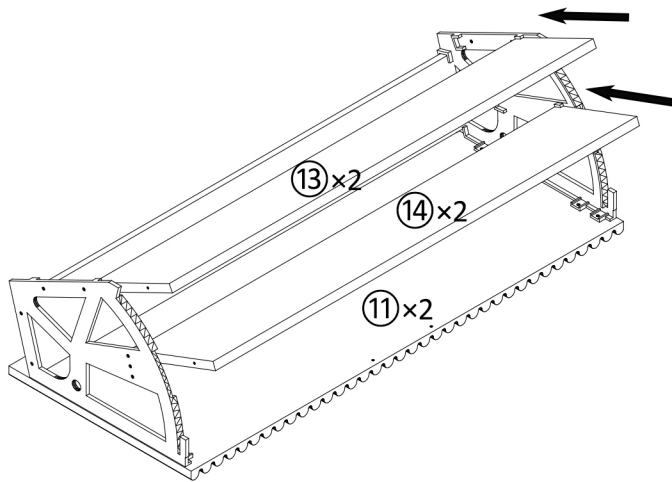
# STEP 12

⚠ Please use screws according to the specific size, do not confuse them.



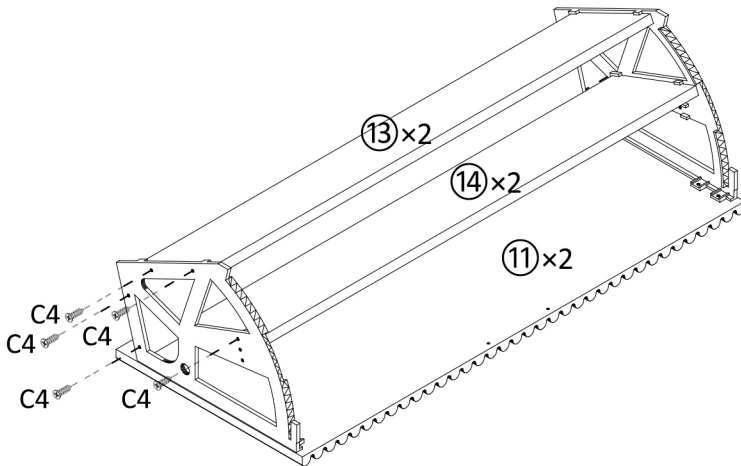
3.5\*16

# STEP 13



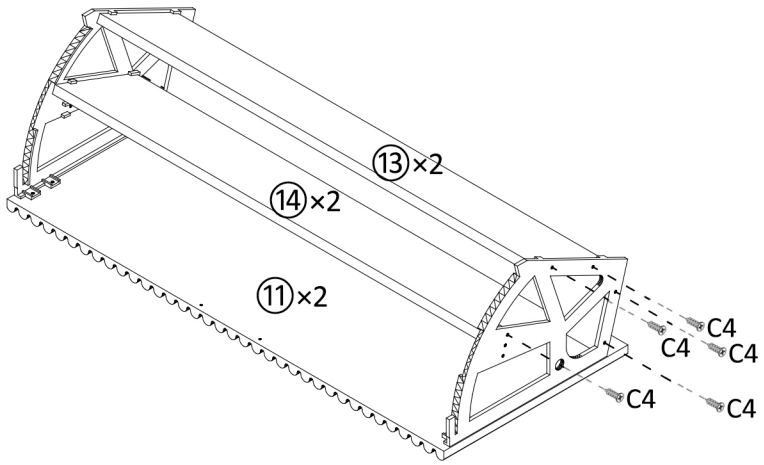
# STEP 14

⚠ Please use screws according to the specific size, do not confuse them.



C4\*10

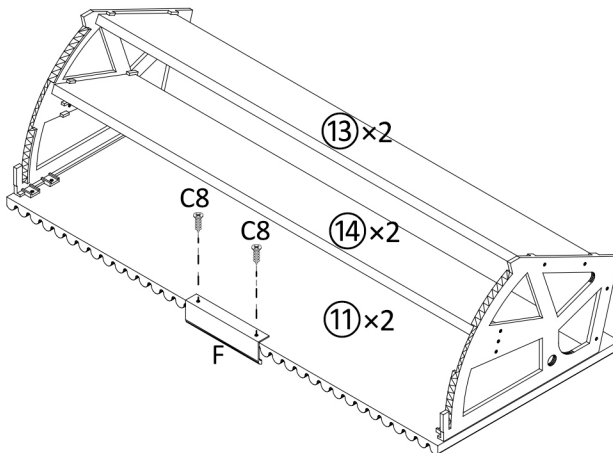
# STEP 15



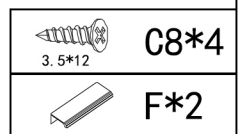
⚠ Please use screws according to the specific size, do not confuse them.



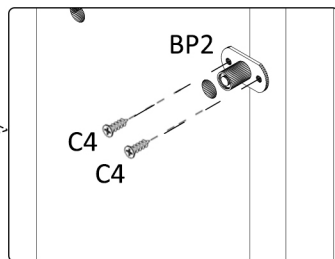
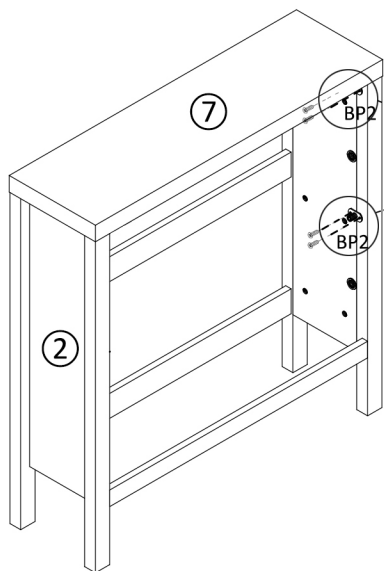
# STEP 16



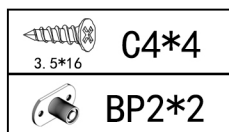
⚠ Please use screws according to the specific size, do not confuse them.



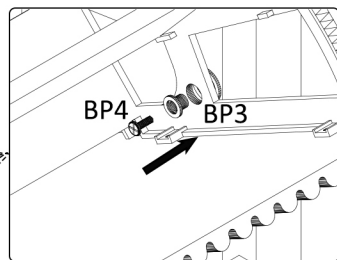
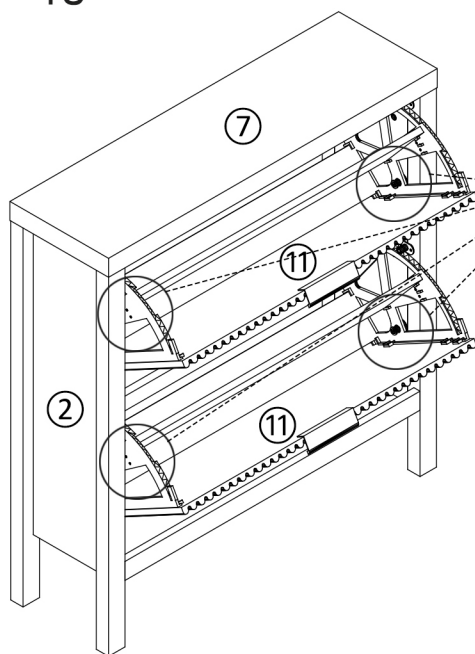
# STEP 17



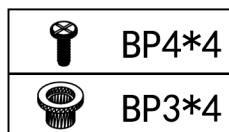
! Please use screws according to the specific size, do not confuse them.



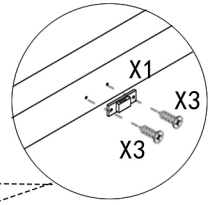
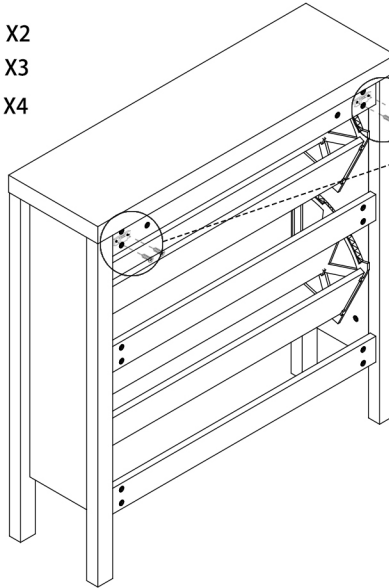
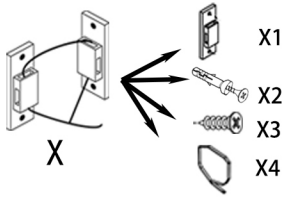
# STEP 18



This step must be performed on both the left and right sides



# STEP 19

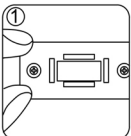
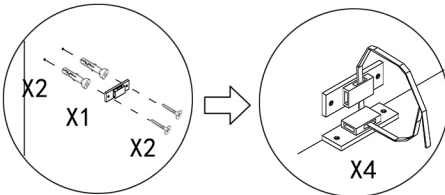
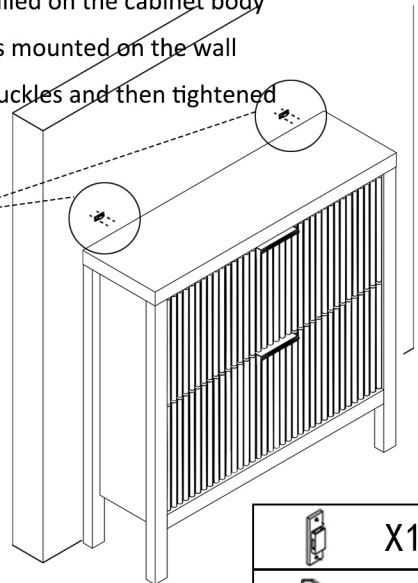


Please separate the parts in bag No.X according to the picture and mark them as X1, X2, X3, and X4.

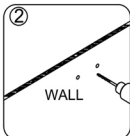
	X3*4
	X1*2

# STEP 20

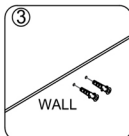
1. One side of the anti-toppling safety belt is installed on the cabinet body
2. The other side of the anti-toppling safety belt is mounted on the wall
3. The seat belt is fastened through both safety buckles and then tightened



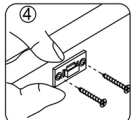
1. make mark on the wall



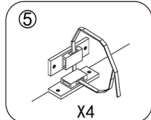
2. drill two Ø6 holes on the wall



3. put two anchors in the holes



4. fix the device(X1) on the wall by the long screws(X2)



5. Push the cabinet close to the wall so that the two bases are close to each other, and then put on belt (X4) to tighten it.

	X1*2
	X4*2
	X2*4