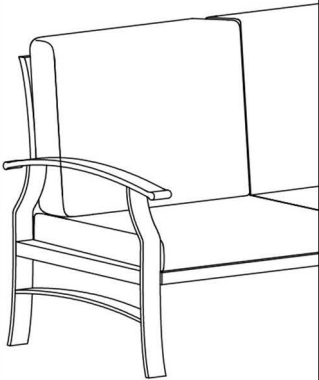


# Owner Manual



# WARRANTY

We strive to offer high quality product and we also try our best to satisfy each customer that order from us, no matter on products or services as needed. Each customer receives a record of their order, such as the order number or item receipt. For any items that are out of warranty period, you may still be able to purchase the replacement parts from our company if they are available.



# MAINTENANCE AND WARNING

Please read the manual thoroughly  
before you start installing.

Please keep the product away from  
sharp object.

Packaging and small parts may have  
chocking hazard, please keep them away  
from children and pets.

Please clean the product according to each  
clean code, check the product description  
for more information.

Please keep the product away from  
fire.

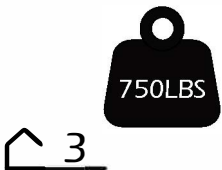
If you have any other questions, please  
contact us, we will be glad to help you out.

If the product is placed under direct  
sunlight, the pattern or color might fade  
away overtime.

Check the product periodically to make  
sure everything is secured and tightened.


Always use proper tools for installation.

Do not jump on the product.



Around 45 min

# PRODUCT DESCRIPTION



This outdoor sofa is crafted from durable cotton linen fabric that is resistant to weather wear, ensuring it stays looking great in any season.

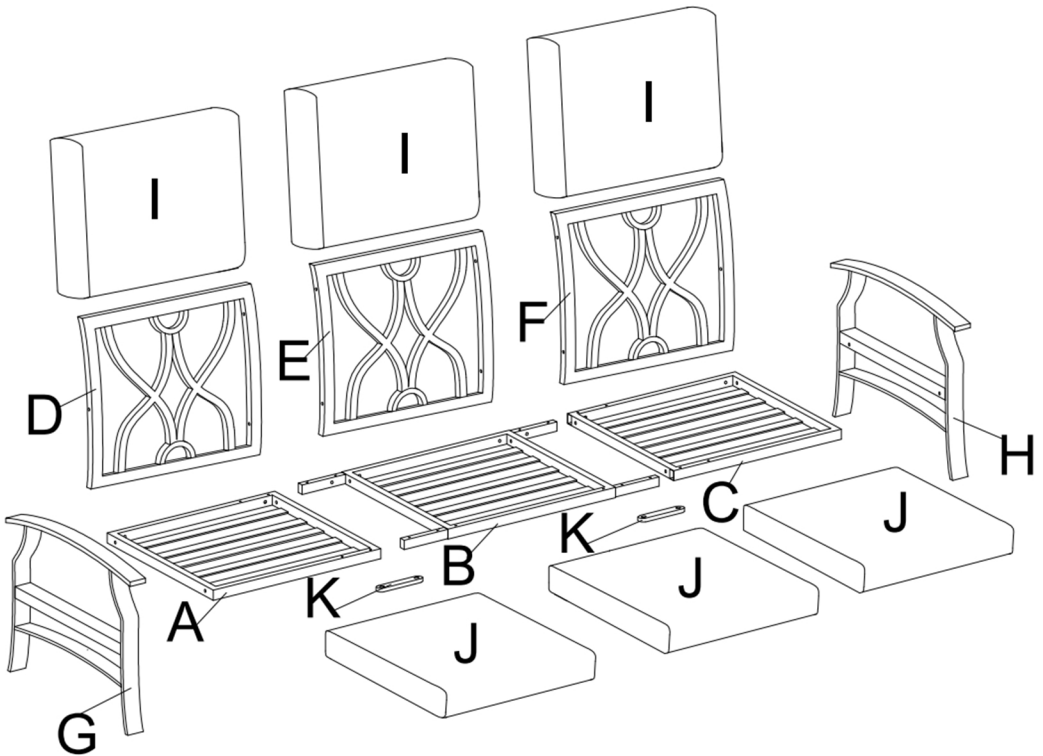
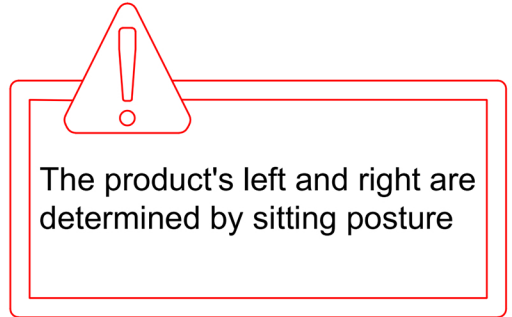
Easily removable cushion covers make maintaining your sofa easy, so you can enjoy a fresh look with minimal effort.

The sturdy metal frame can hold up to 750 lbs, offering ample seating capacity for family and friends.

Filled with foam and synthetic fibers, the cushions offer both softness and support, perfect for long, relaxing outdoor moments.

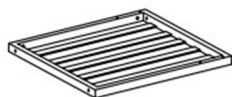
Perfect for gardens, patios, or balconies, this sofa brings both style and comfort to your outdoor lifestyle.

# EXPLODED VIEW



# PARTS

A\*1



Right seat frame

B\*1



Middle seat frame

C\*1



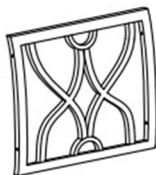
Left seat frame

D\*1



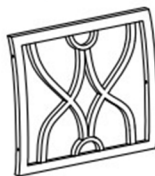
Right backrest

E\*1



Middle backrest

F\*1



Left backrest

G\*1



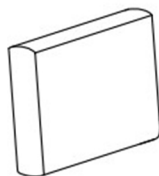
Right arm

H\*1



Left arm

I\*3



Back cushion

J\*3



Seat cushion

K\*2



Connecting iron

# HARDWARE

## TOOL LIST

NOTE: Designated with (★) We provide additional spare parts in the hardware package

①\*6



★ M6\*40mm  
Bolt

②\*20



★ M6\*35mm  
Bolt

③\*10



★ M6\*20mm  
Bolt

④\*36



★ Flat Washer

⑤\*1

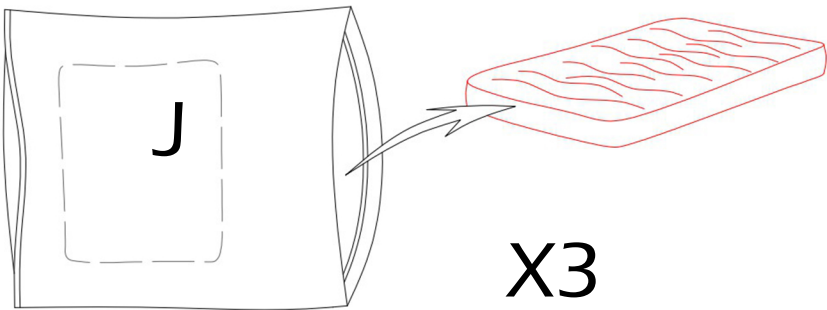
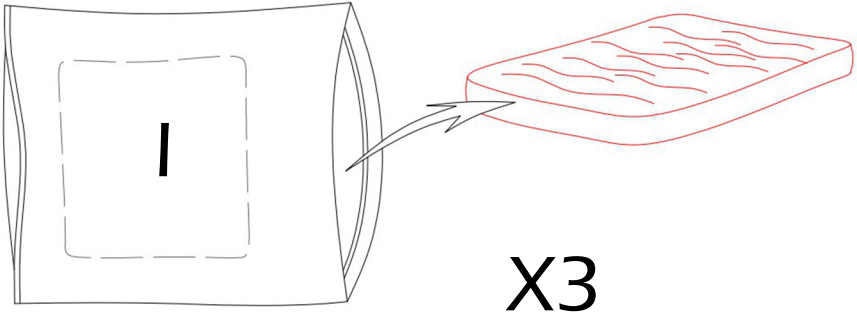


Allen key

Please make sure all hardware&packing material fitting the list.  
Especially some small accessories may be missing during transportation. Please contact us if you have any question.

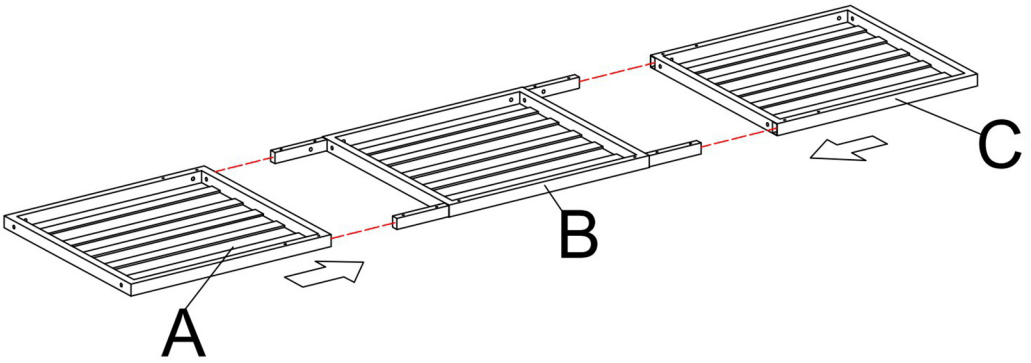
# step 1

Take out the cushions (I & J) from the compression bags, and allow it to recover to its original shape, it might take up to 24 hours to be fully recovered, you may gently slap on them to speed up the process.



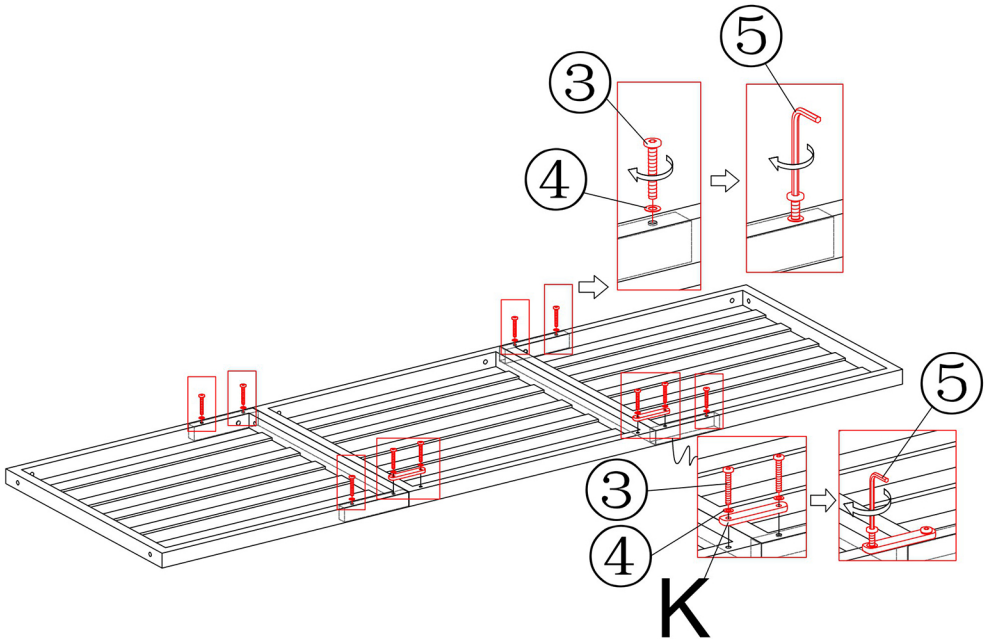
# step 2

Insert Right Seat Frame (A) and Left Seat Frame (C) into the Middle Seat Frame (B) as shown. Make sure they are all aligned correctly.



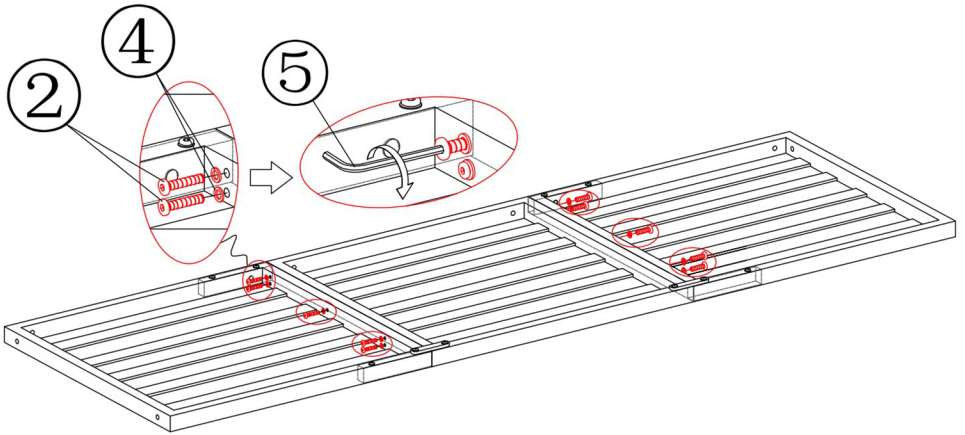
# step 3

Place one flat washer (4) onto each bolt (3), and use a piece of Connecting Iron (K) to fix the back part of the frames as shown, there are two pieces of connecting irons will be used. Then use the allen wrench (5) provided to tighten all the bolts, make sure all the parts are correctly aligned before fully tighten the bolts.



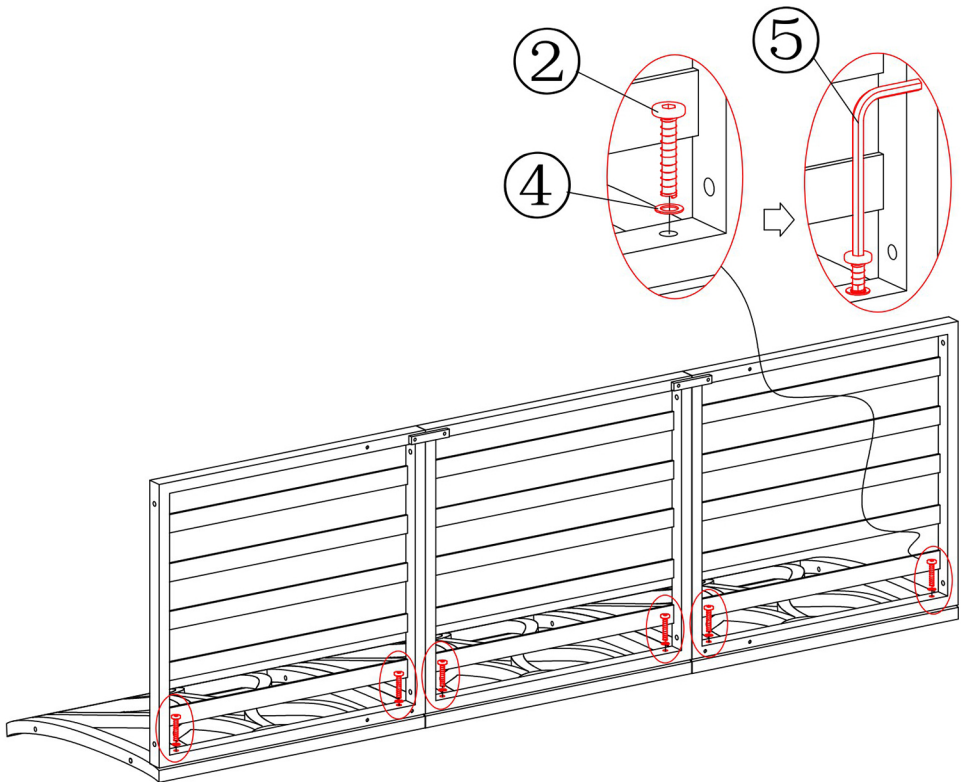
# step 4

Place one flat washer (4) onto each bolt (2), and use the allen wrench (5) provided to tighten the bolts as shown. The bolts are located on the inner sides of the left and right frame, make sure all 10 bolts are correctly aligned before fully tighten them.



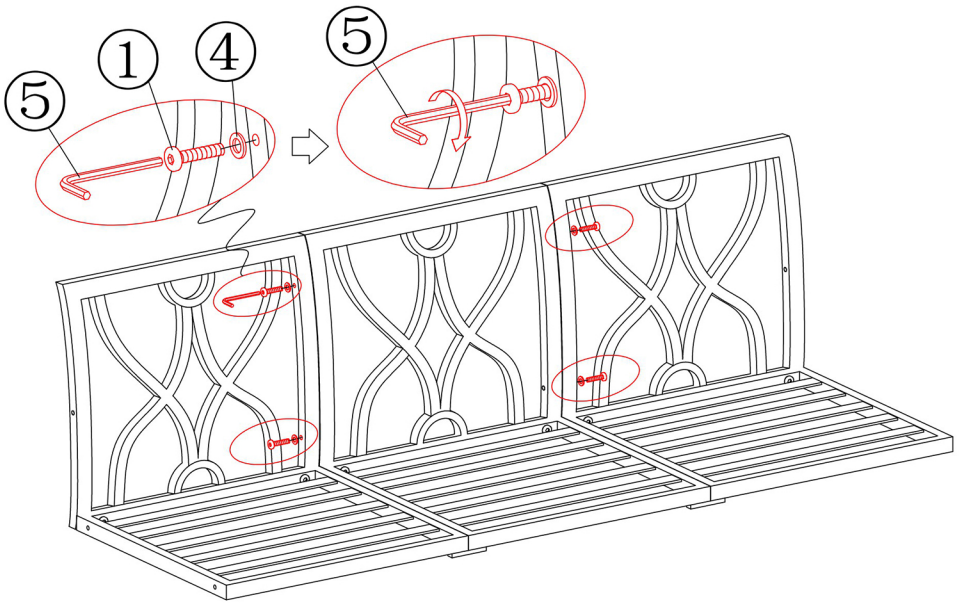
# step 5

Align the predrilled holes on backrest with the seat frame , add one washer (4) on each bolt (2) as shown, then align the bolt holes on both seat frame and right armrest, then use the allen wrench (5) provided to tighten all bolts by 30%-50% at first, ensuring that all bolts are aligned correctly before tightening all bolts.



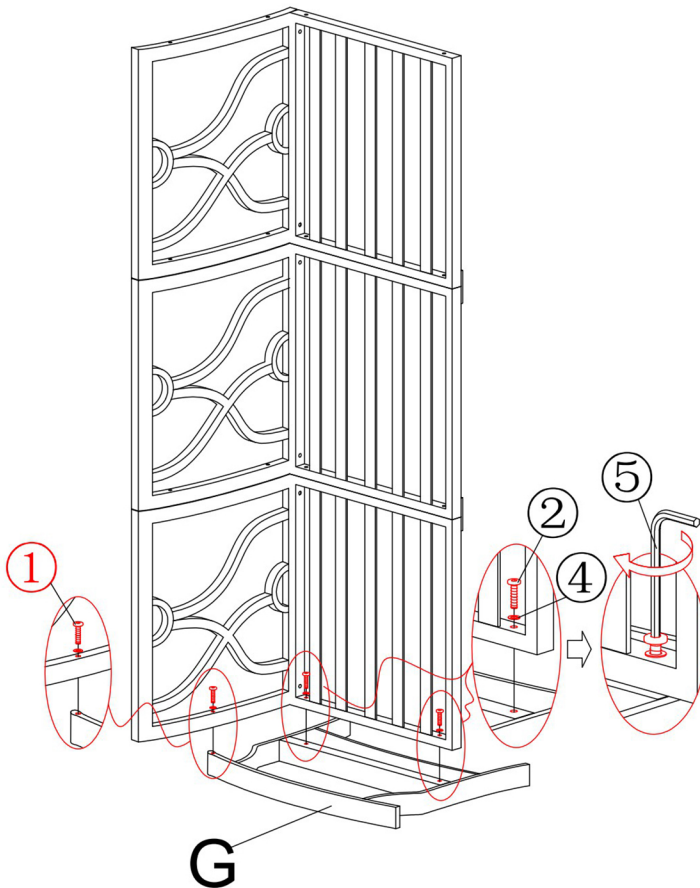
# step 6

Place one flat washer (4) onto each bolt (1), and use the allen wrench (5) provided to tighten the bolts as shown. The bolts are located on the inner sides of the backrest, make sure all 4 bolts are correctly aligned before fully tightening them.



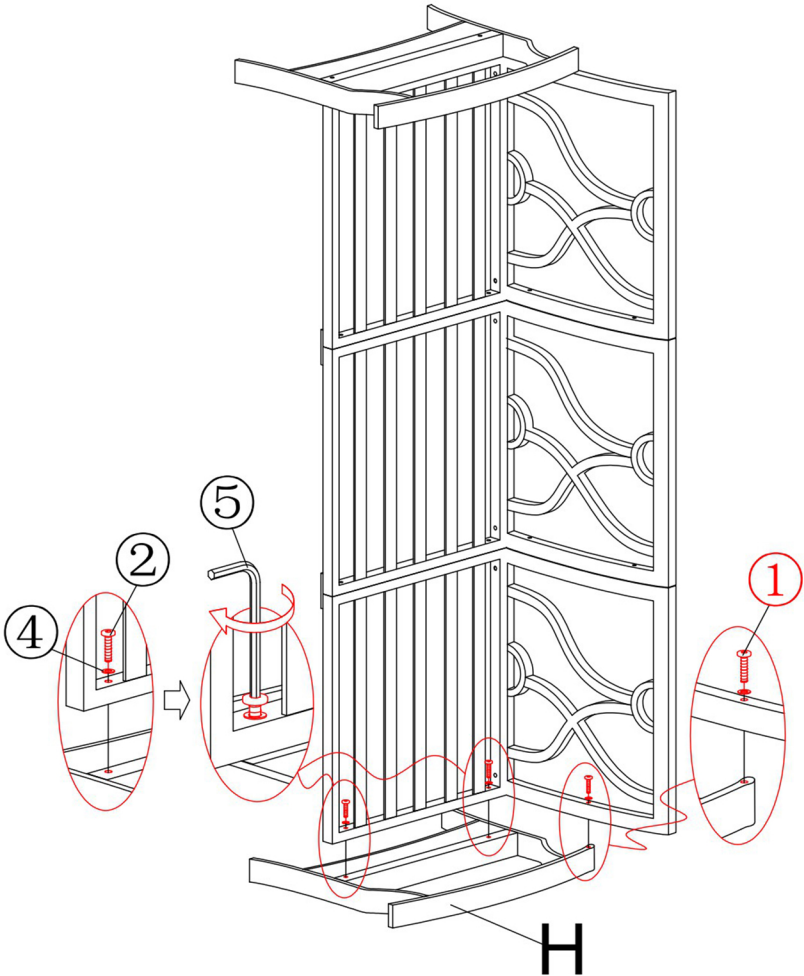
# step 7

Install the right armrest (G) onto the frame, add one flat washer (4) on each bolt (1& 2) as shown, then align the bolt holes on both frame and right armrest (G), use bolt (1) to connect back frame and the right armrest, use bolt (2) to connect seat frame and right armrest, then use the allen wrench (5) provided to tighten the bolts by 30-50% at first, ensuring that all bolts are aligned correctly before fully tightening.



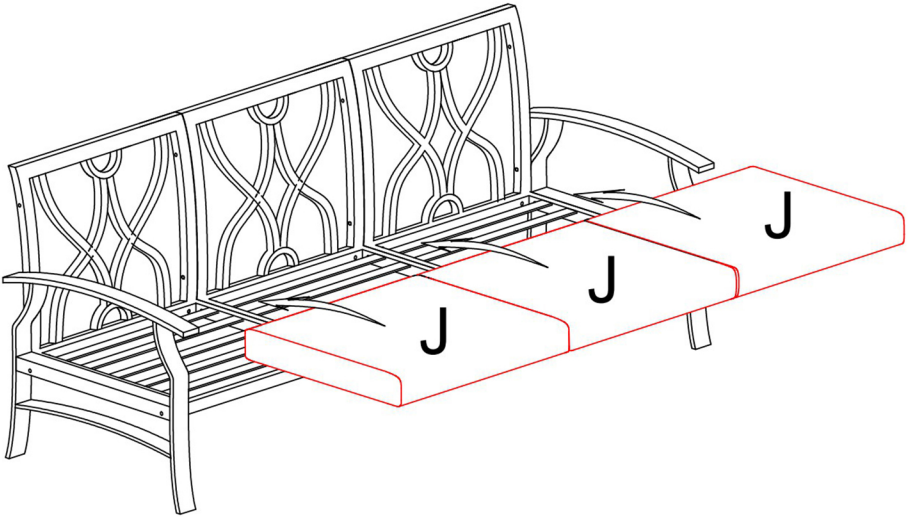
# step 8

Install the left armrest (H) onto the frame, add one flat washer (4) on each bolt (1& 2) as shown, then align the bolt holes on both frame and left armrest (H), use bolt (1) to connect back frame and the left armrest, use bolt (2) to connect seat frame and left armrest, then use the allen wrench (5) provided to tighten the bolts by 30-50% at first, ensuring that all bolts are aligned correctly before fully tightening.



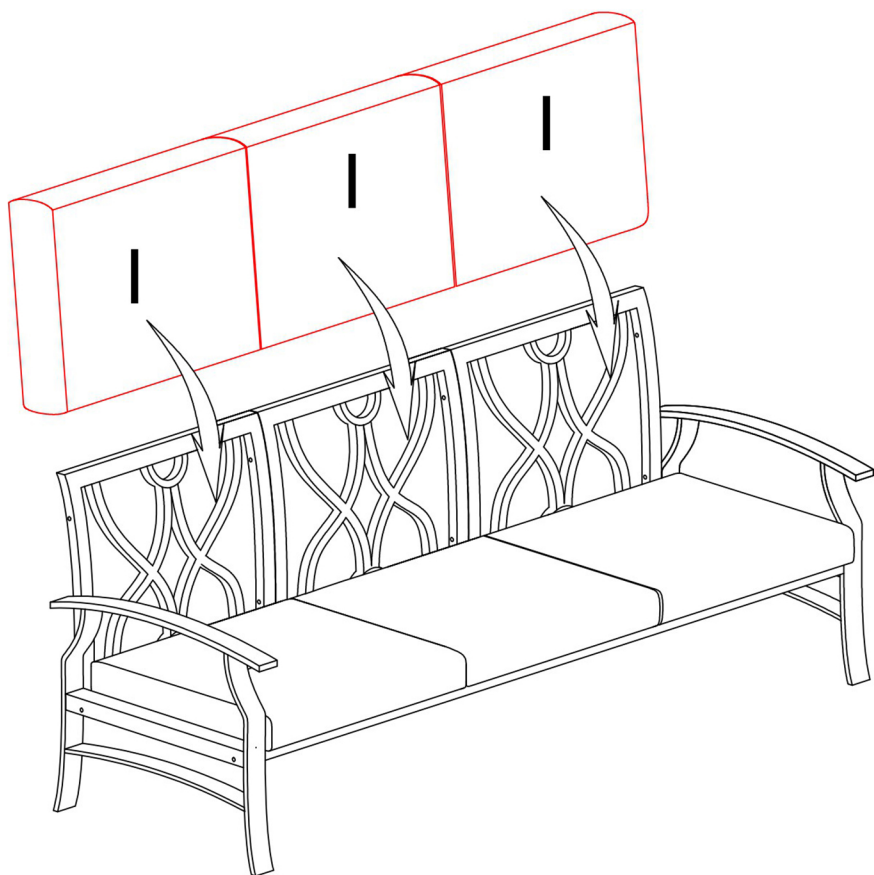
# step 9

Place the seat cushion (J) onto the chair.



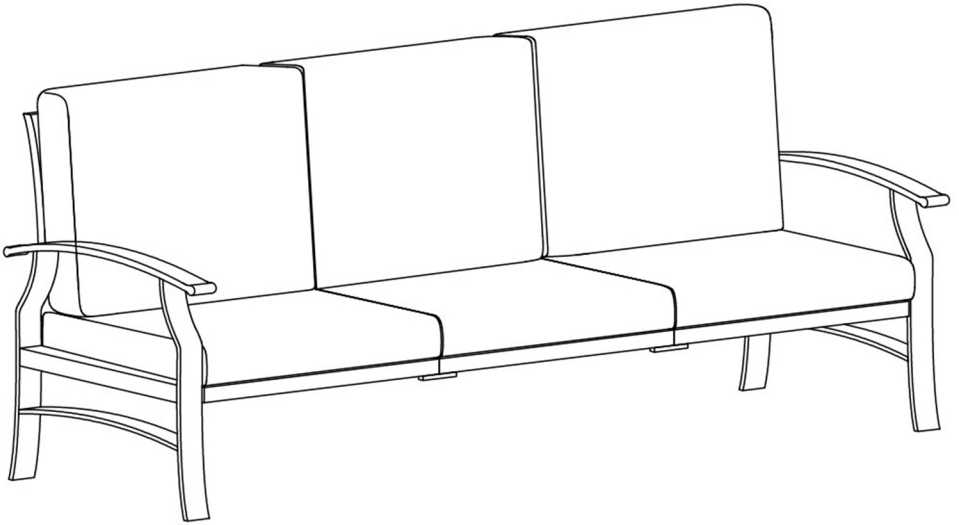
# step 10

Place the back cushion (I) onto the chair.



# step 11

The assembly is complete! Thanks for choosing our product!  
Please Enjoy!



For better user experience, please carefully check all the screws, and make sure they are all fully tightened. (Use the allen wrench to twist each screw until it is fully tightened.)