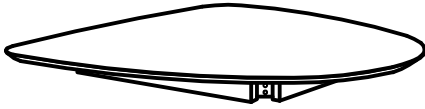
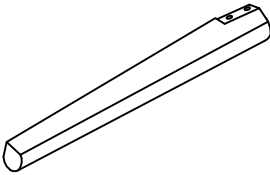


ASSEMBLY INSTRUCTIONS FOR ACME FURNITURE

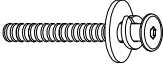


MODEL#DN04185

Thank you for purchasing the quality product. Be sure to check all packing material carefully for small parts which may have come loose inside the carton during shipment. Separate, identify and count all parts and metal hardware. Compare with all parts list to be sure all parts are present. If any part(s) are missing or damaged, please contact your local furniture dealer. For efficient and speedy service, please indicate the model number and code letter of part(s) needed.

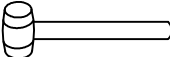
*** Do not fully tighten screws until fully assembled ***

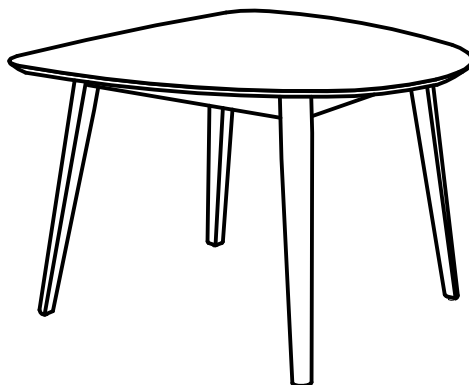
COMPONENT PARTS		
DESCRIPTION	PART NAME	Q'TY(PCS)
①	TABLE TOP 	1
②	TABLE LEG 	4

HARDWARE REQUIRED

- Ⓐ  JCBB M8 x 60mm + S/W 5/16" + F/W 5/16" x 22mm 8 PCS
- Ⓑ  ALLEN KEY M5 1 PC
- Ⓒ  PVC NAIL 5/8" 4 PCS

TOOLS NEEDED

-  (NOT PROVIDED)

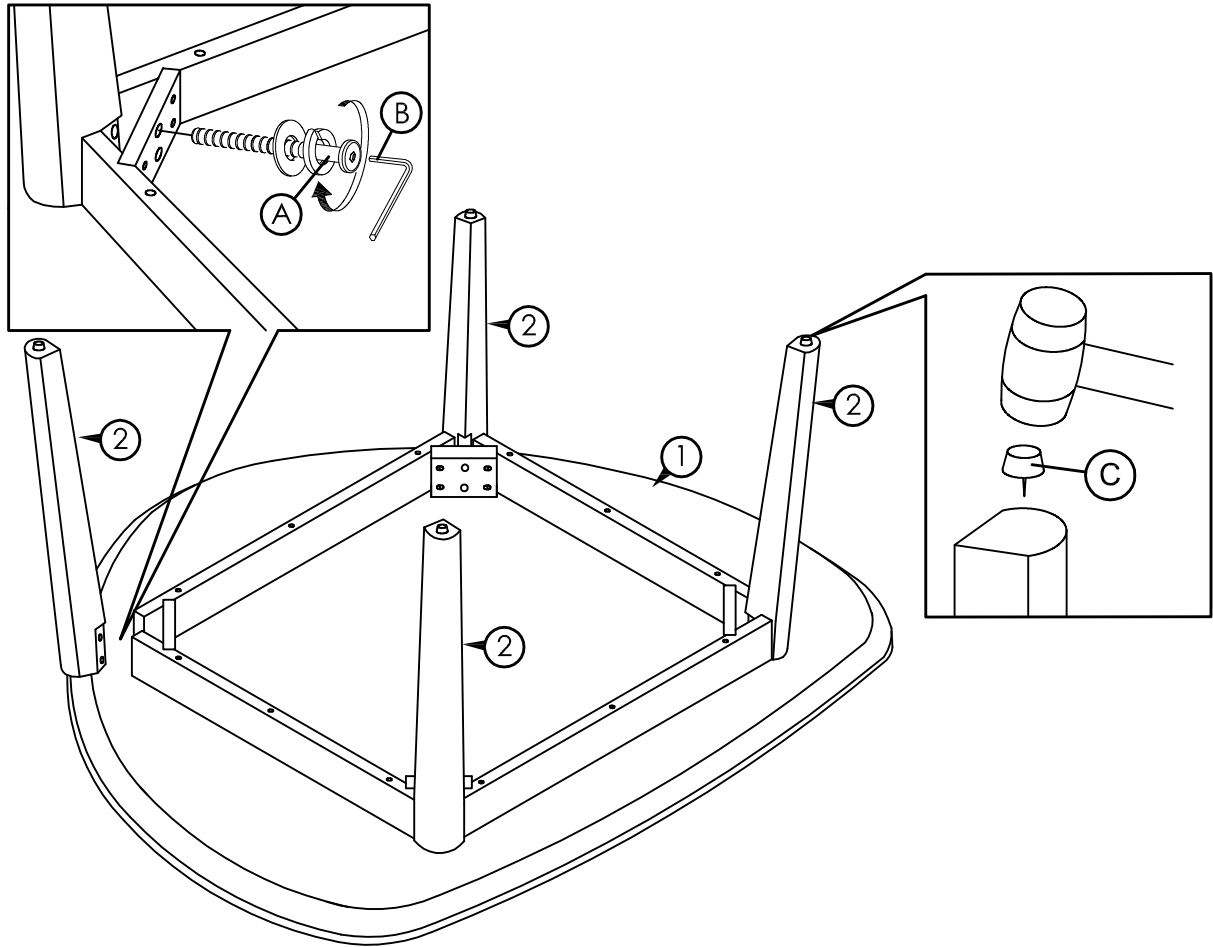


Attention

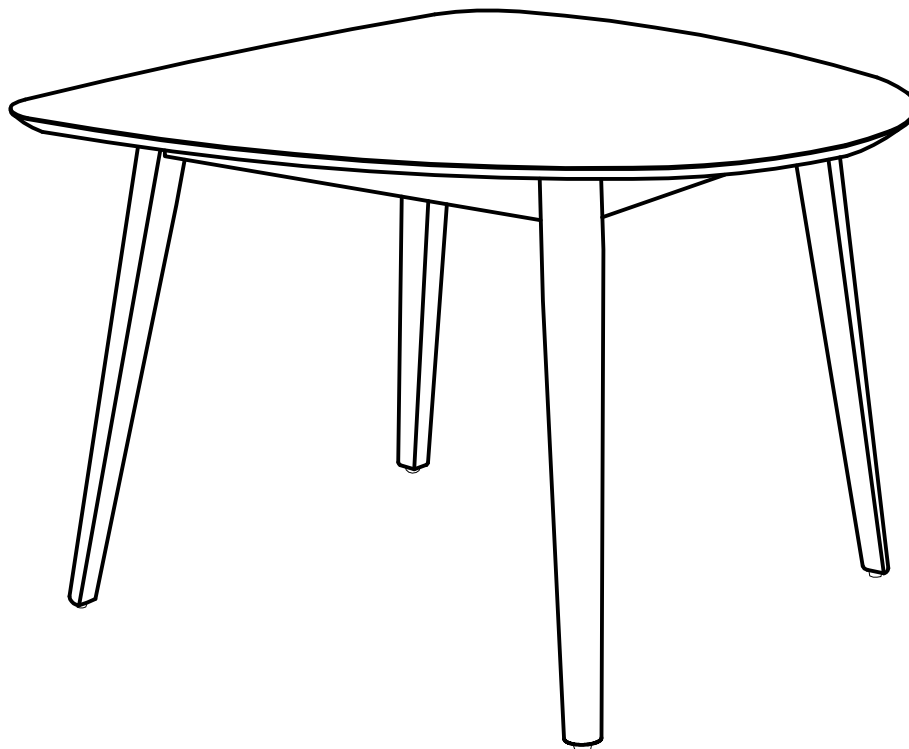
** Some number parts listed on the instruction sheet may not be in parts bag as they may already be assembled. Carefully check parts and packing materials prior to ordering replacements.

How to assemble:

STEP 1



STEP 2

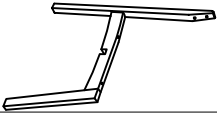
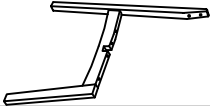


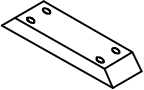
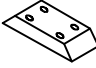


ASSEMBLY INSTRUCTIONS FOR ACME FURNITURE

MODEL#DN04186

Thank you for purchasing the quality product. Be sure to check all packing material carefully for small parts which may have come loose inside the carton during shipment. Separate, identify and count all parts and metal hardware. Compare with all parts list to be sure all parts are present. If any part(s) are missing or damaged, please contact your local furniture dealer. For efficient and speedy service, please indicate the model number and code letter of part(s) needed.

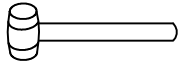
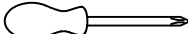
*** Do not fully tighten screws until fully assembled ***

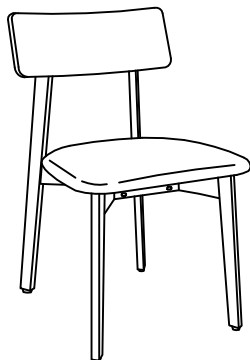
COMPONENT PARTS		
DESCRIPTION	PART NAME	Q'TY(PCS)
①	X LEG (UP) 	1
②	X LEG (DOWN) 	1
③	TOP REST 	1
④	CUSHION SEAT 	1
⑤	CORNER BLOCK (LONG) 	1
⑥	CORNER BLOCK (SHORT) 	2

HARDWARE REQUIRED

A		JCBC M6 x 60mm + S/W M6 + F/W M6 x 13mm	4	PCS
B		JCBC M6 x 25mm + S/W M6 + F/W M6 x 13mm	4	PCS
C		JCBC W BOLT M7 x 40mm	1	PC
D		PH CB SCREW M4 x 25mm	12	PCS
E		ALLEN KEY M4	1	PC
F		PVC NAIL 5/8"	4	PCS

TOOLS NEEDED

	(NOT PROVIDED)
	(NOT PROVIDED)

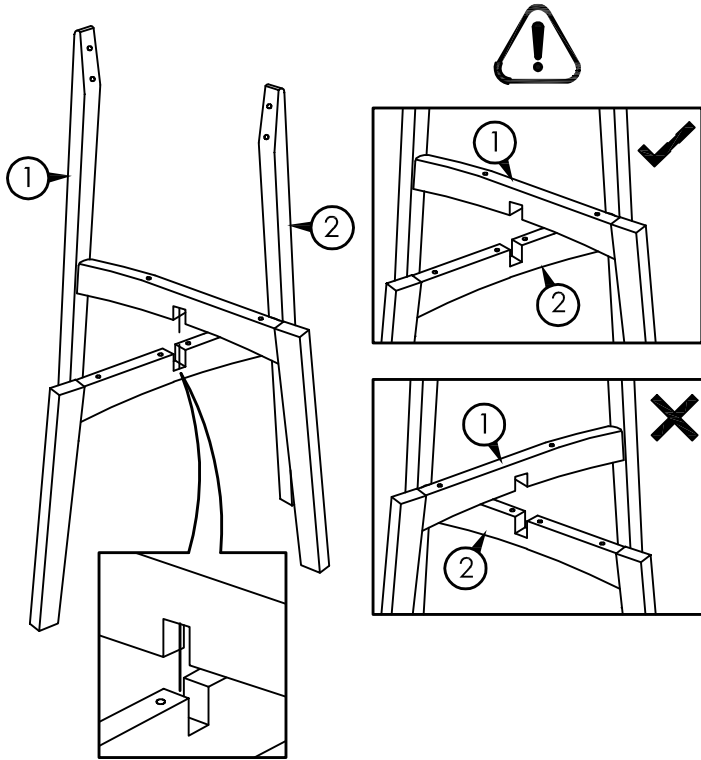


Attention

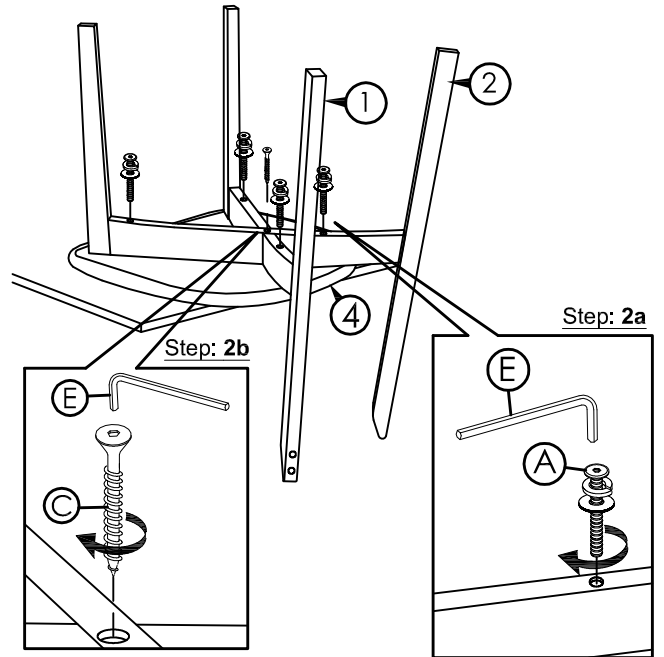
** Some number parts listed on the instruction sheet may not be in parts bag as they may already be assembled. Carefully check parts and packing materials prior to ordering replacements.

How to assemble:

STEP 1

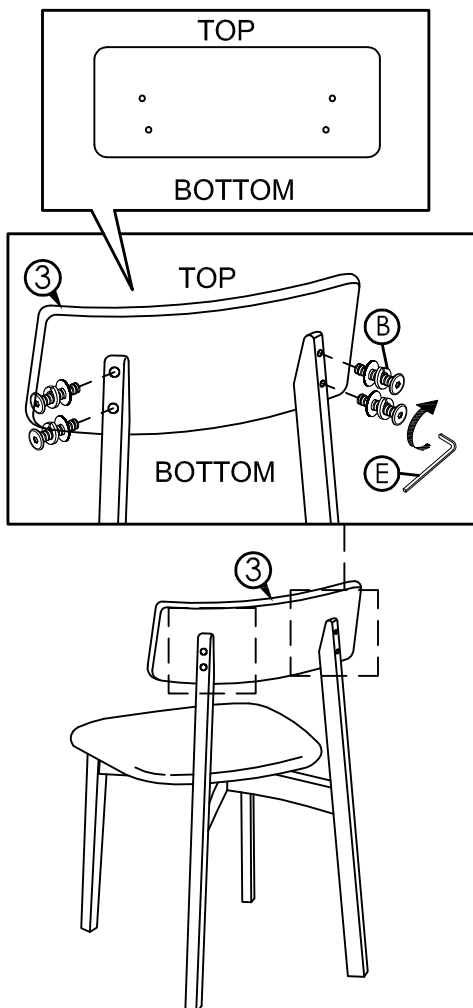


STEP 2

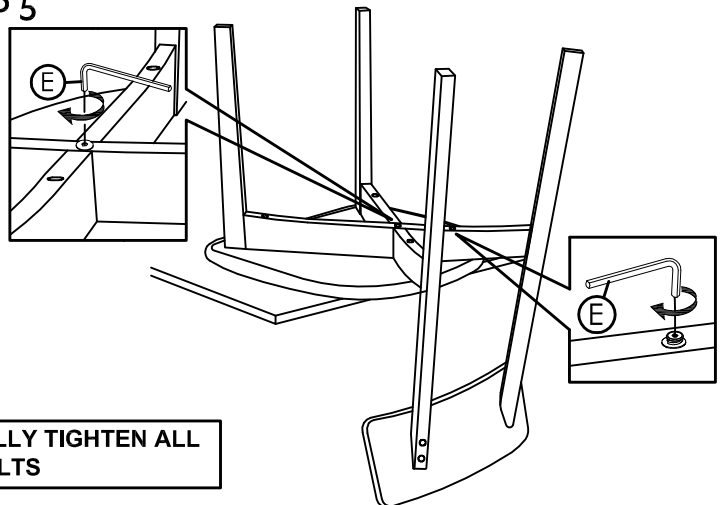


DO NOT FULLY TIGHTEN THE BOLT

STEP 4



STEP 5



FULLY TIGHTEN ALL BOLTS

STEP 6

