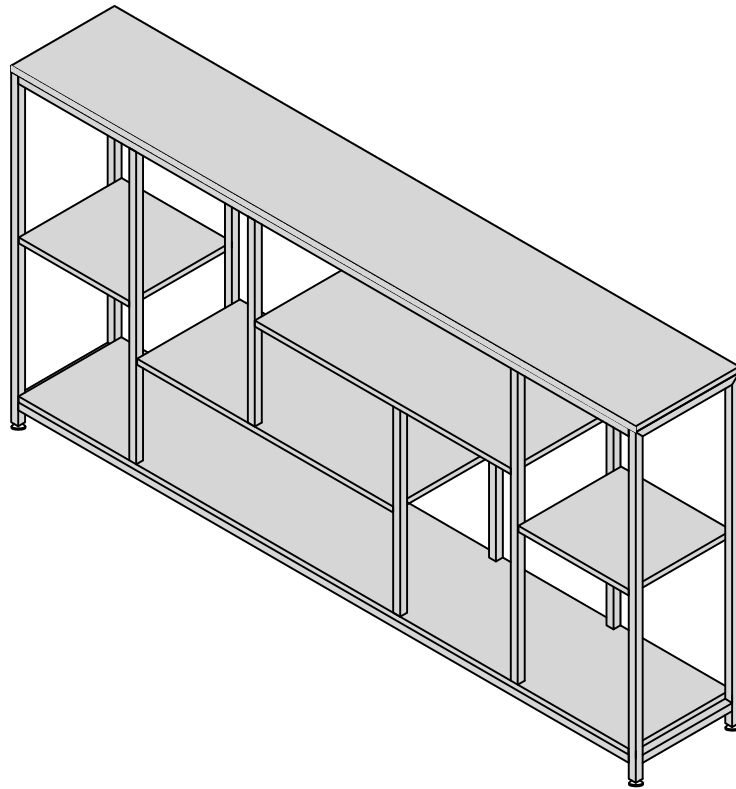


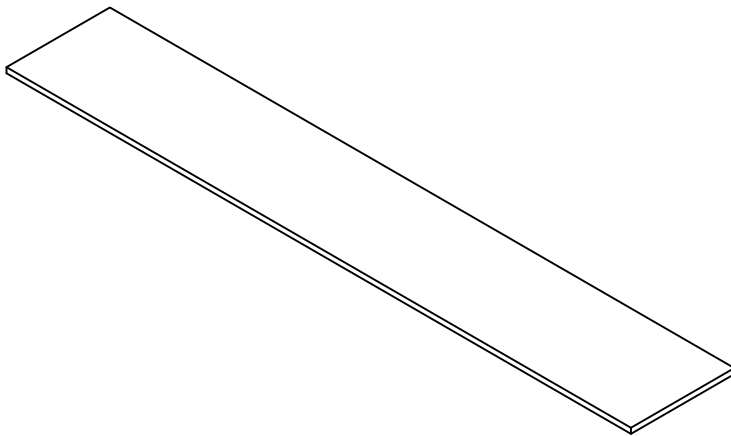
ASSEMBLY INSTRUCTION

Side Table



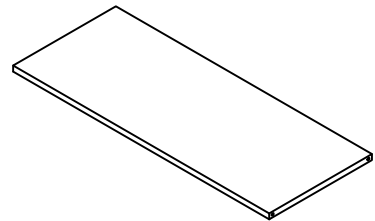
Notes: Don't tighten screws completely at first, just in case parts were assembled wrong and need disassemble. Tighten screws at last when all parts are put together

1



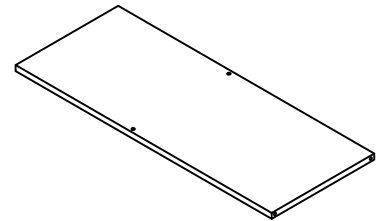
1PCS

2



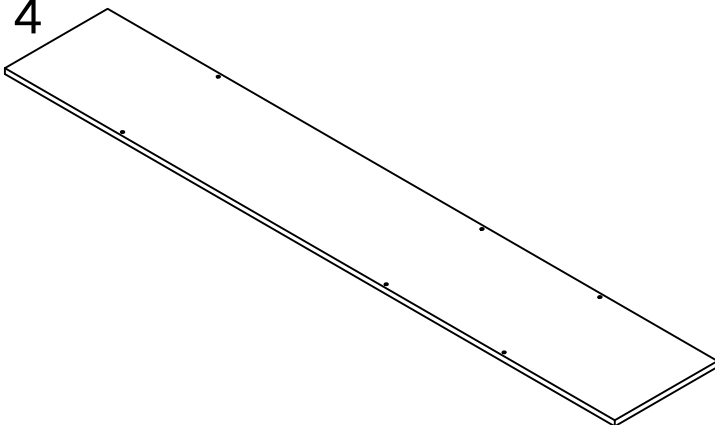
1PCS

3



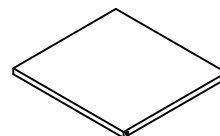
1PCS

4



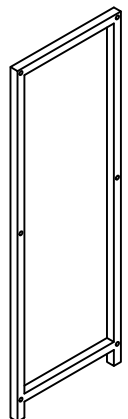
1PCS

5

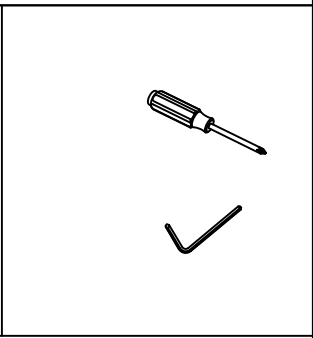
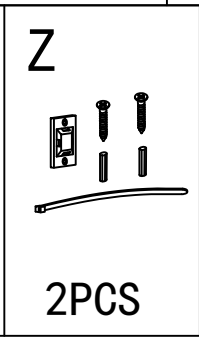
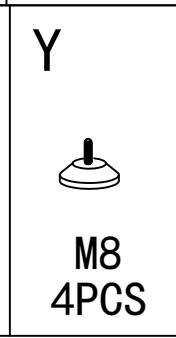
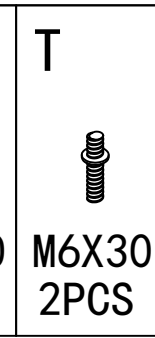
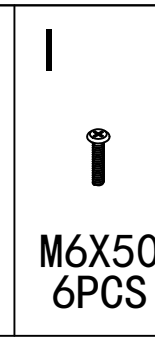
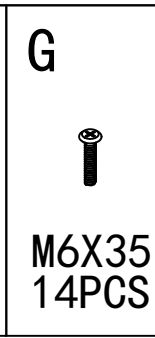
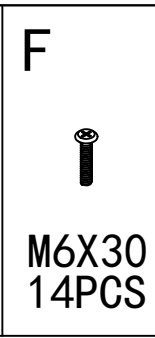
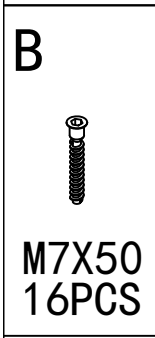
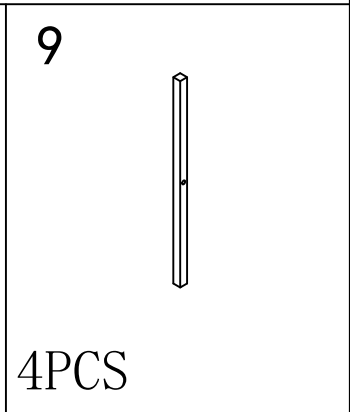
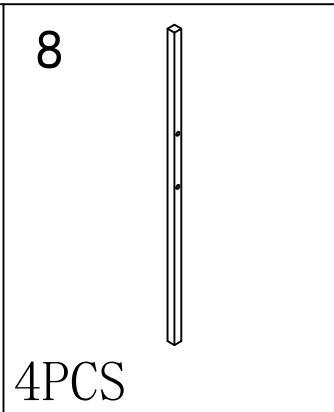
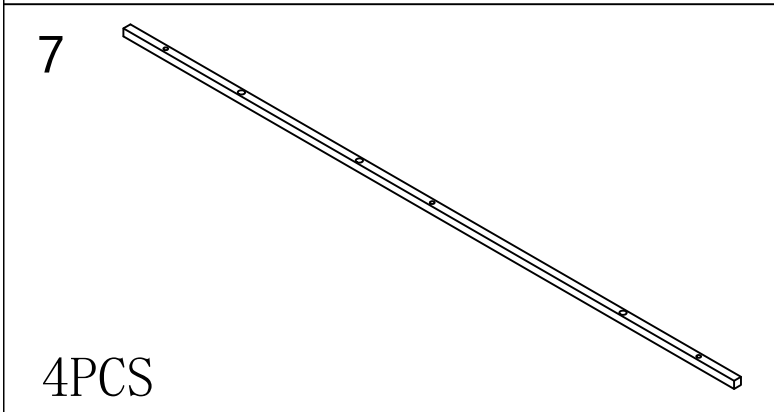



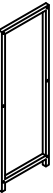
2PCS

6

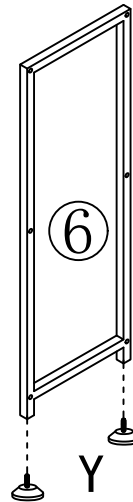
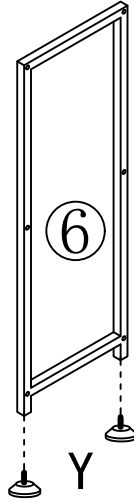




2PCS



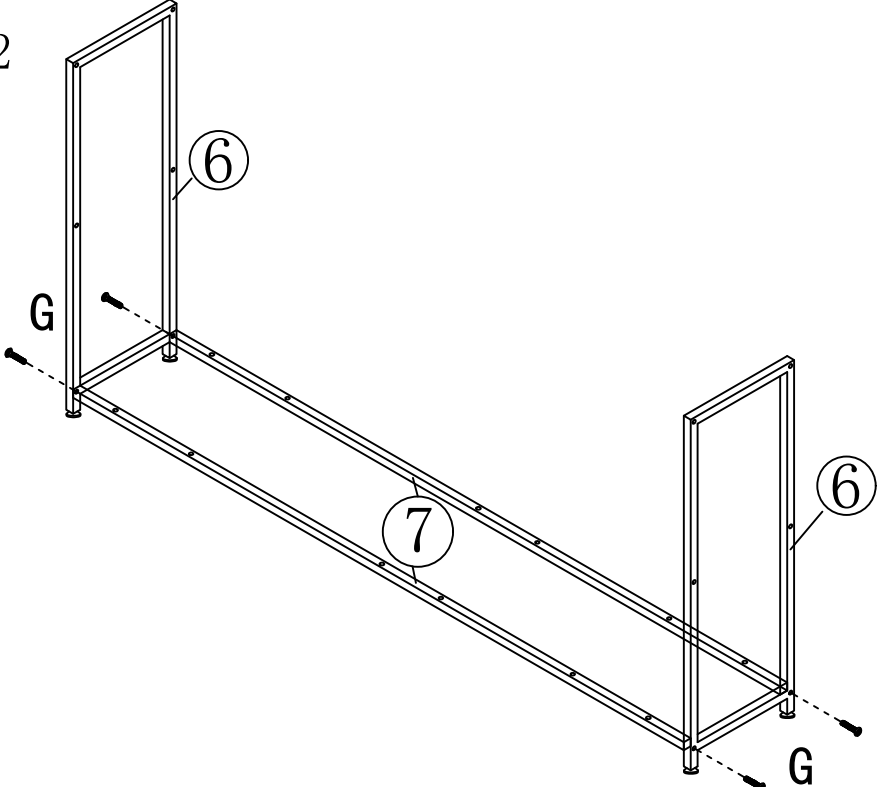
Y		4PCS
6		1PCS



Step1



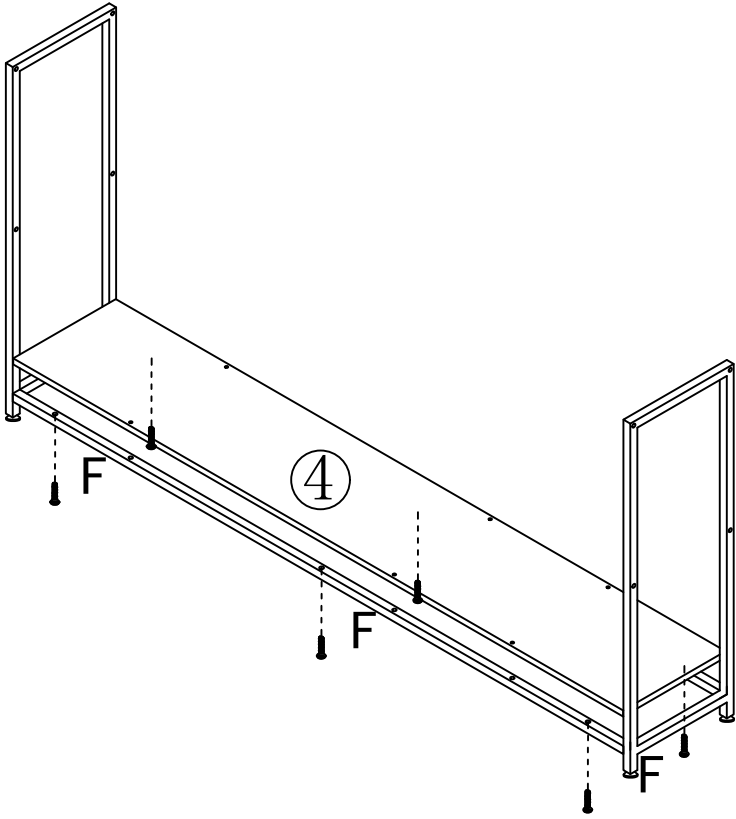
G		4PCS
7		2PCS



Step2

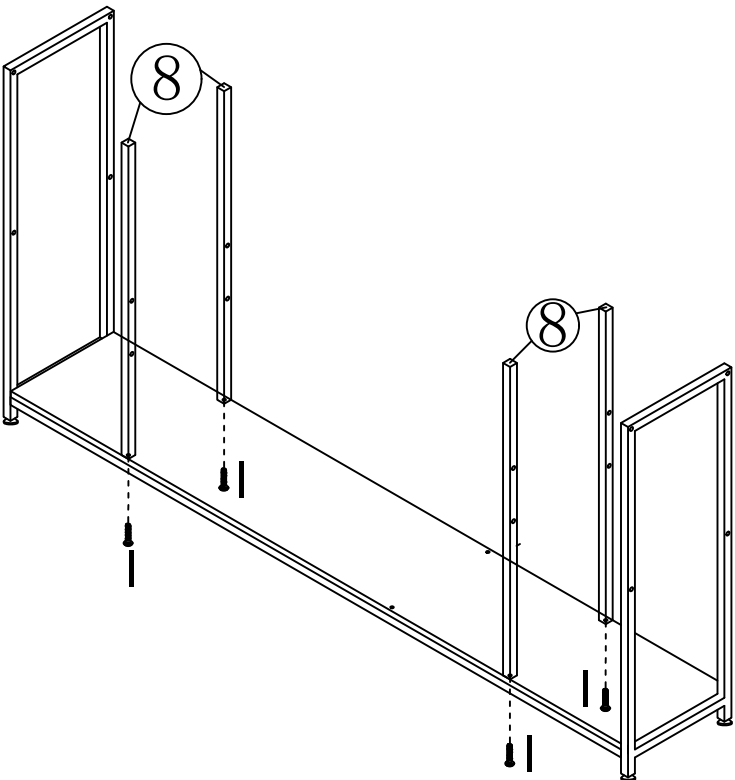



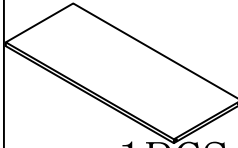

F	 6PCS
4	 1PCS

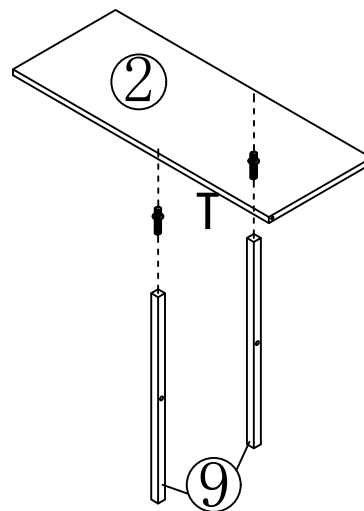
Step3





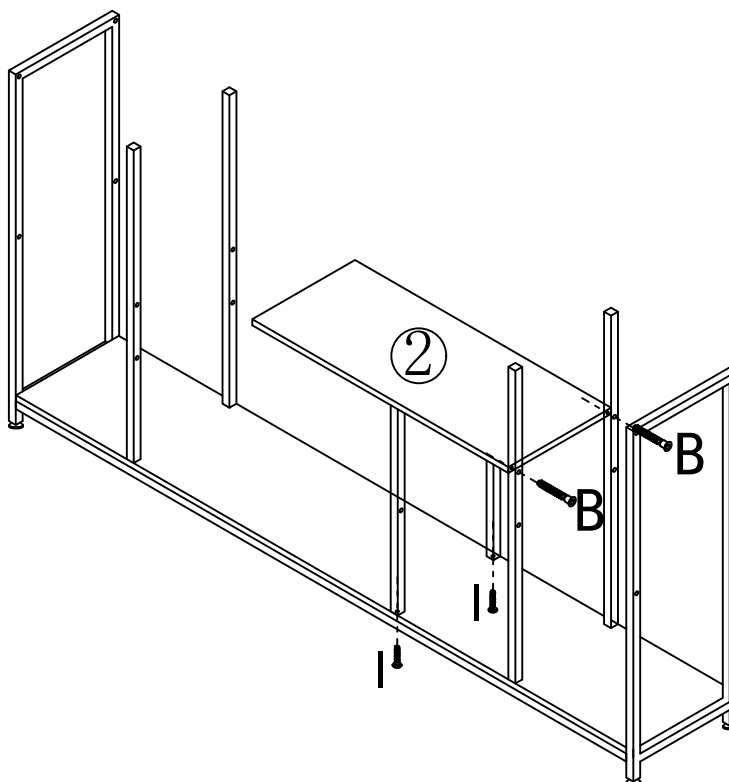
I	 4PCS
8	 4PCS


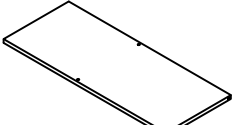


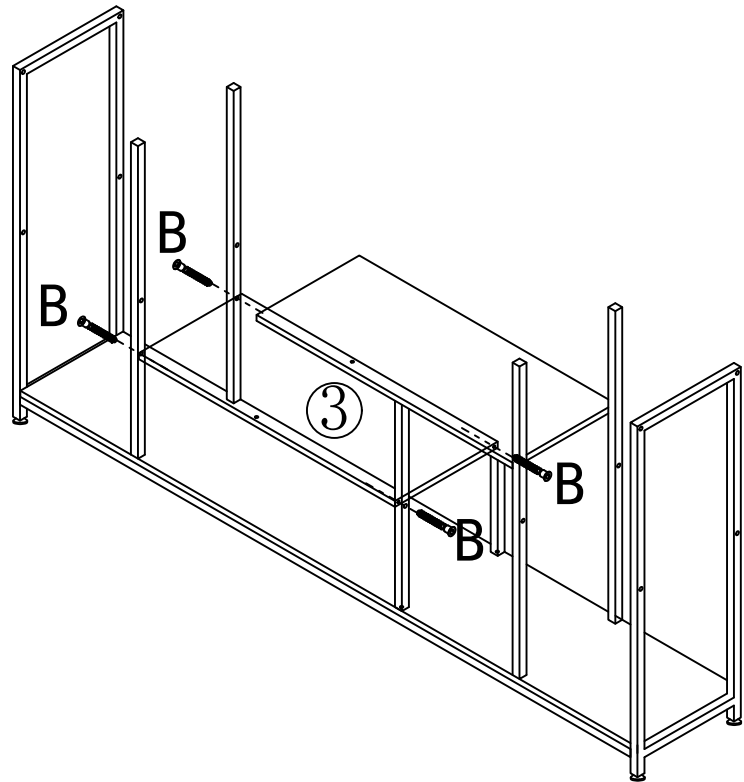
T		2PCS
2		1PCS
9		2PCS






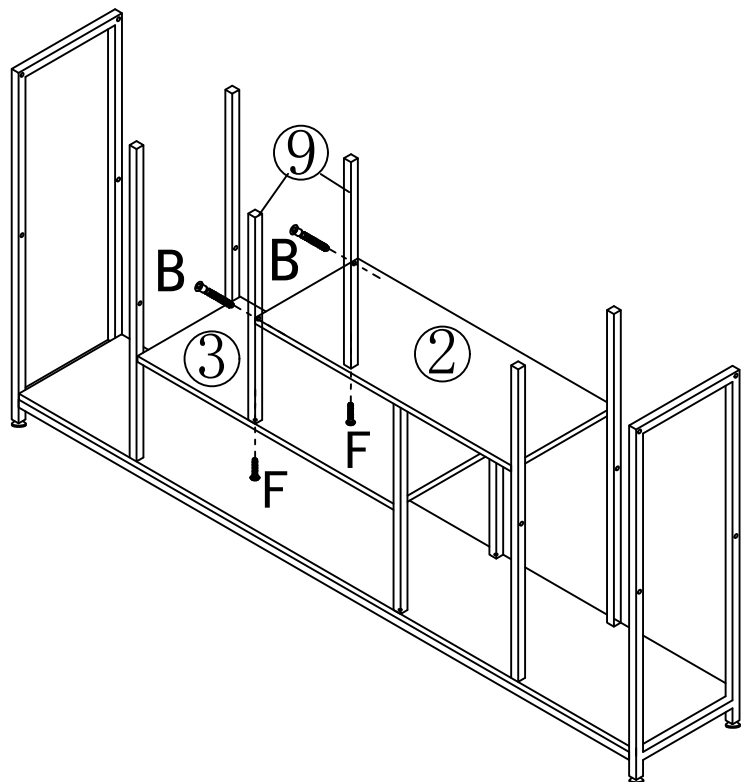
B		2PCS
I		2PCS


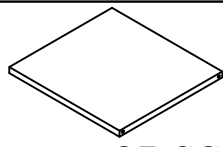


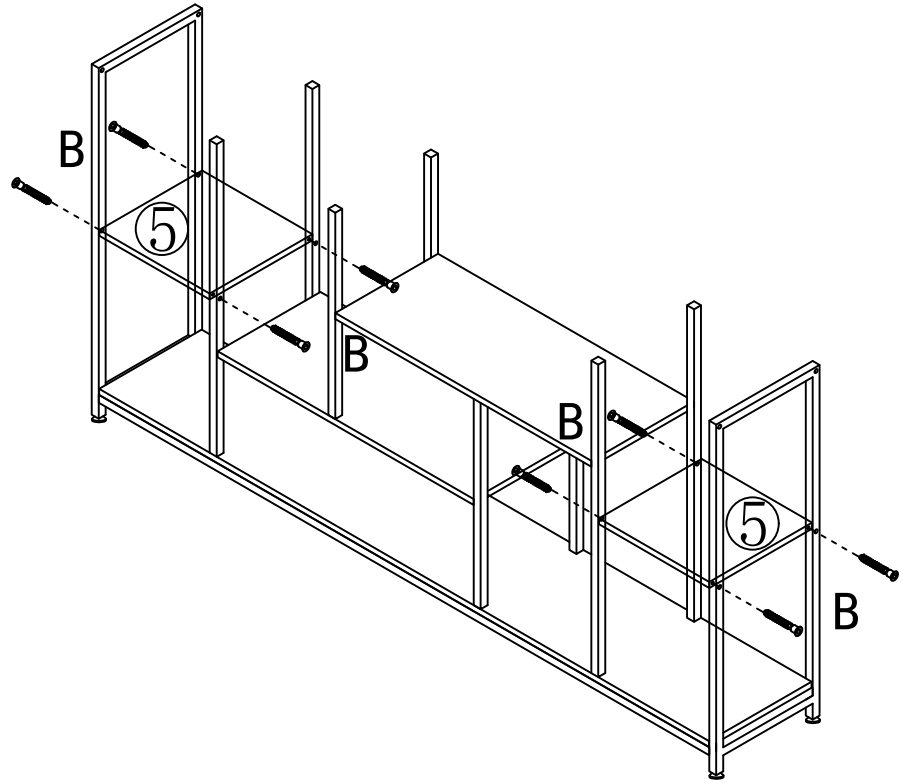
B		4PCS
3		1PCS


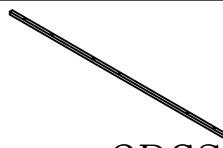


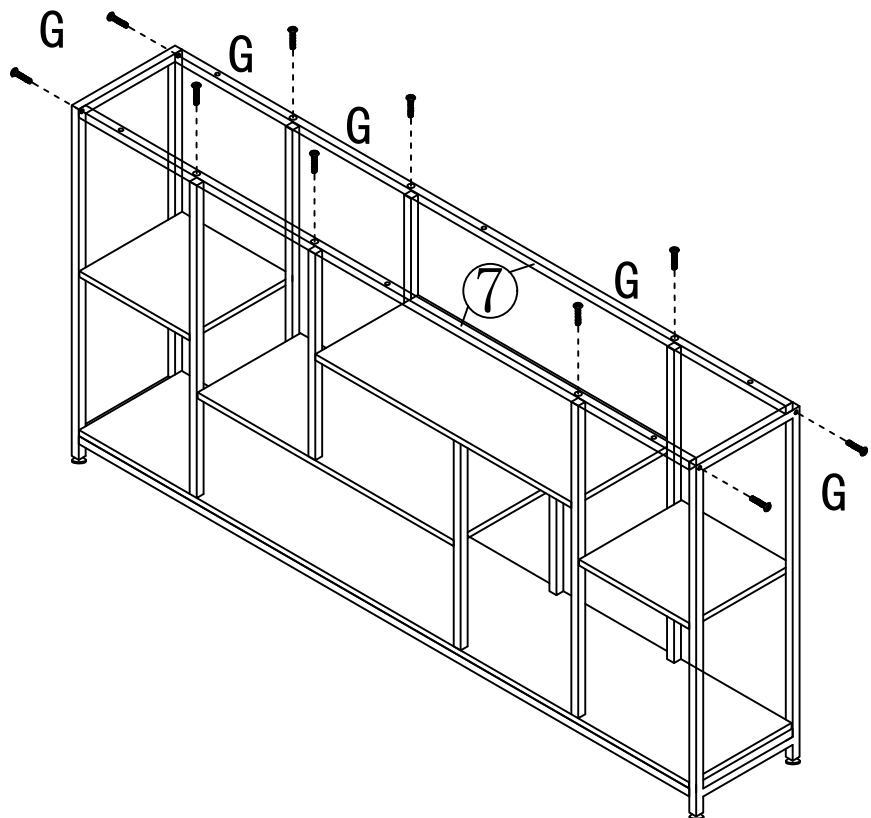
B		2PCS
F		2PCS
9		2PCS





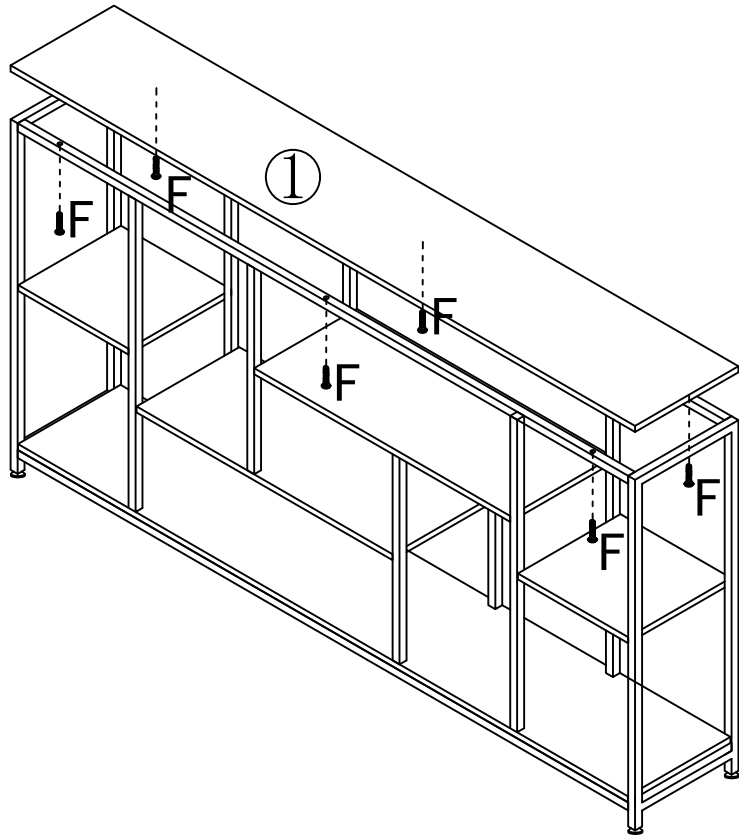
B	 8PCS
5	 2PCS

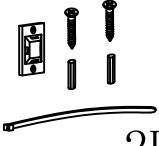


G	 10PCS
7	 2PCS



F	 6PCS
1	 1PCS



Z	 2PCS
---	--

