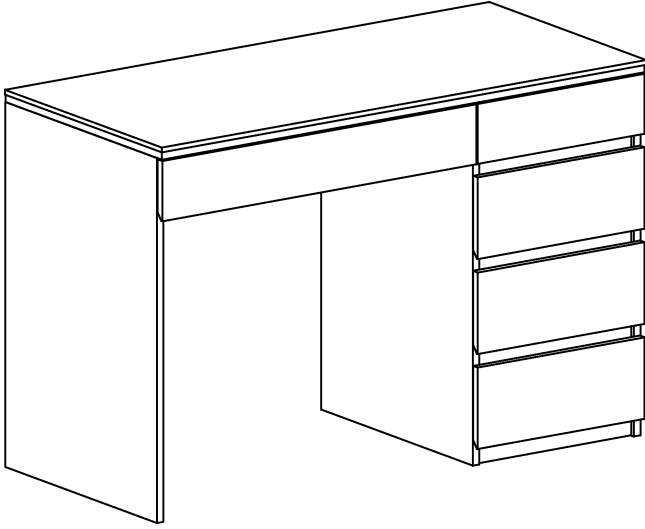
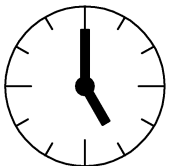
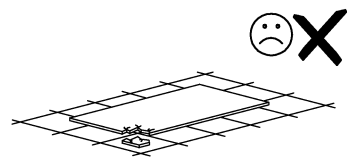
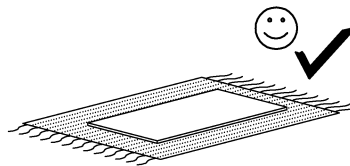
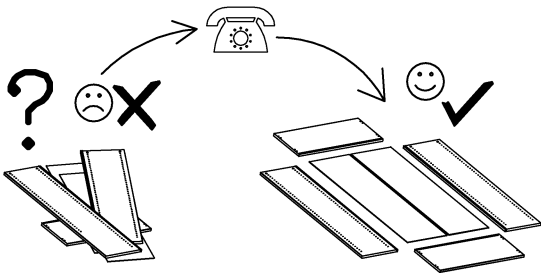
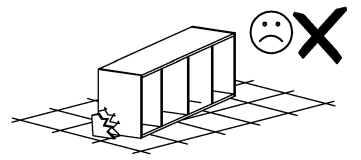
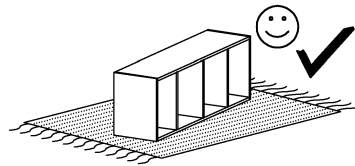
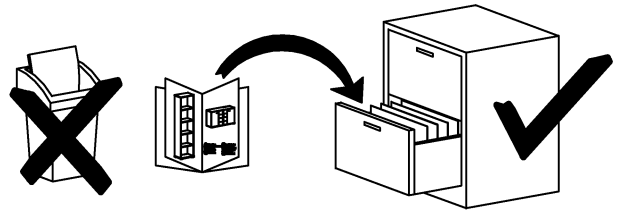
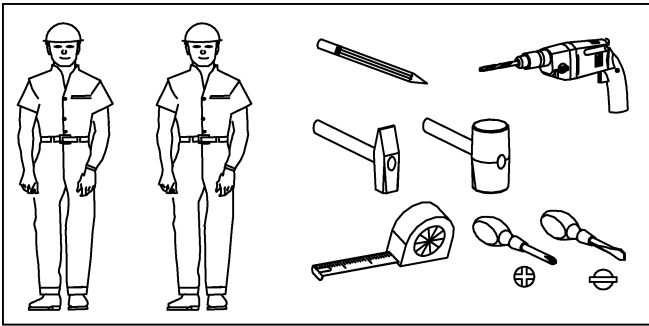
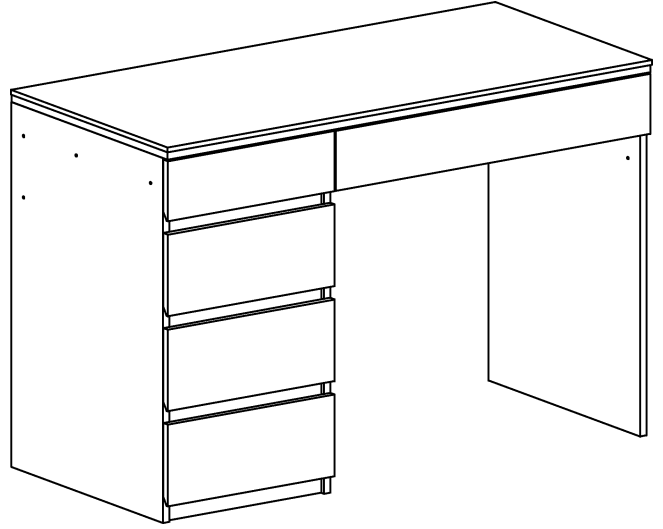


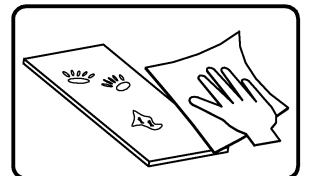
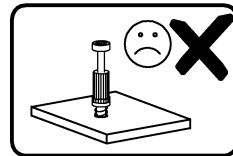
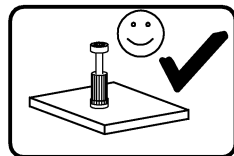
L

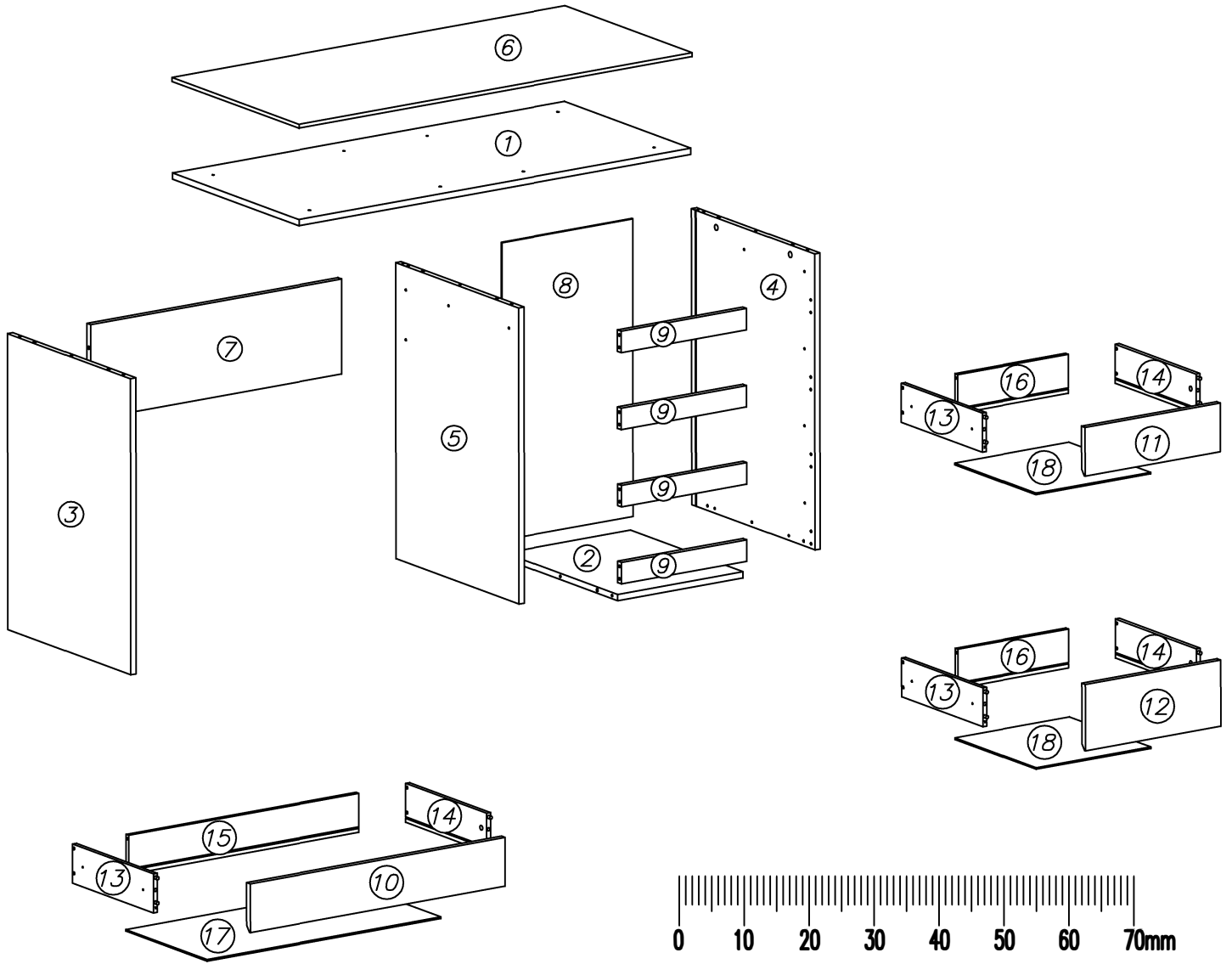
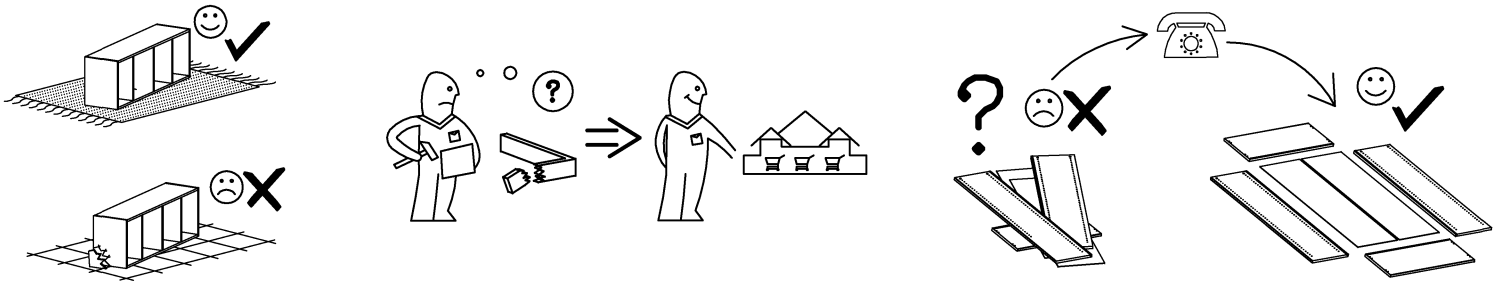


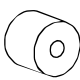
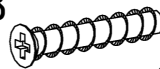
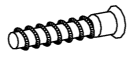



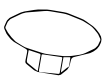
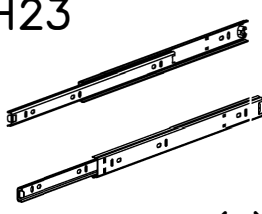





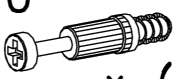
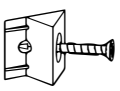
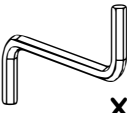


P



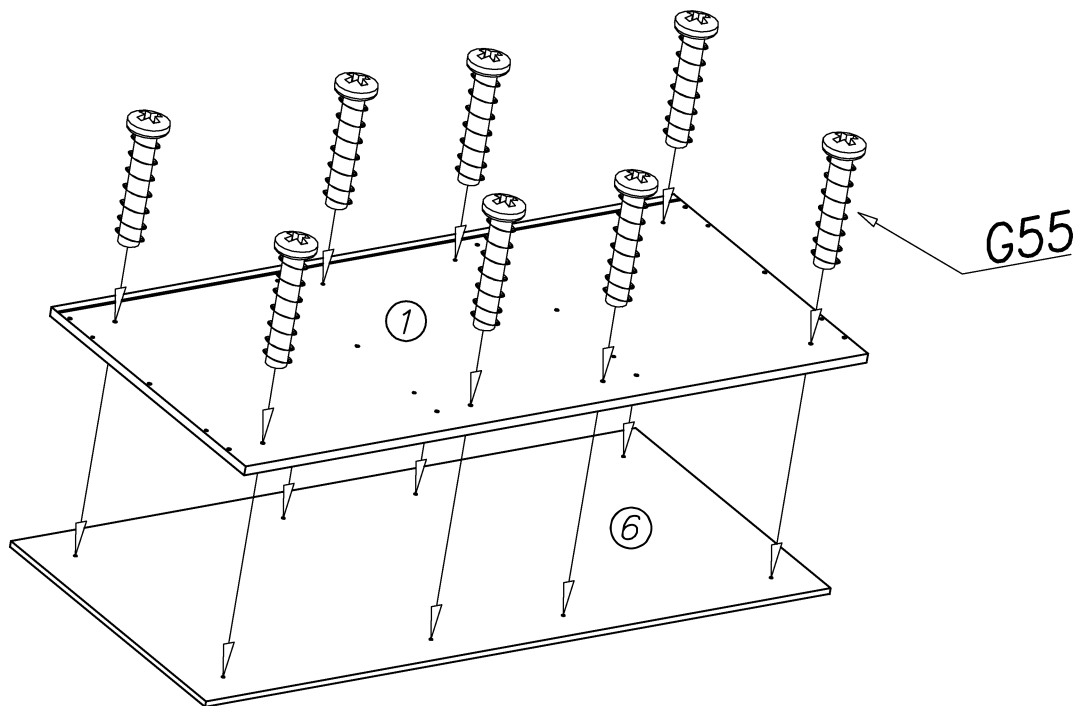
2h



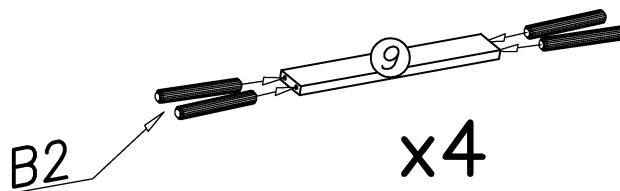
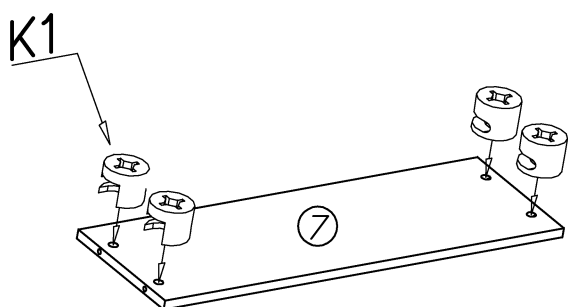
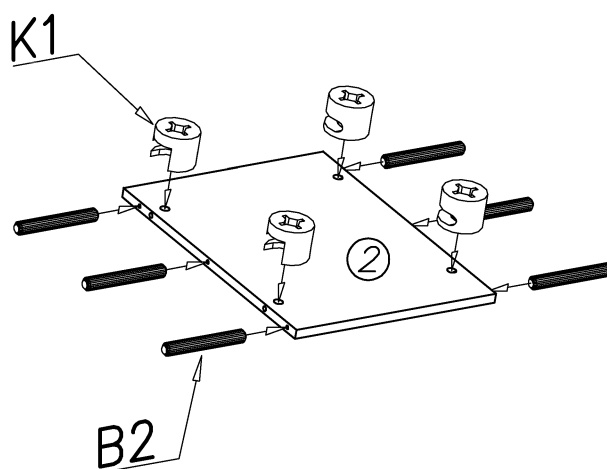
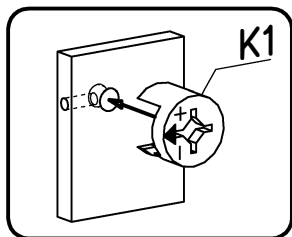
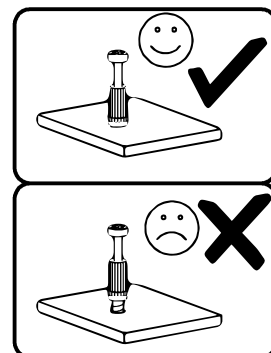
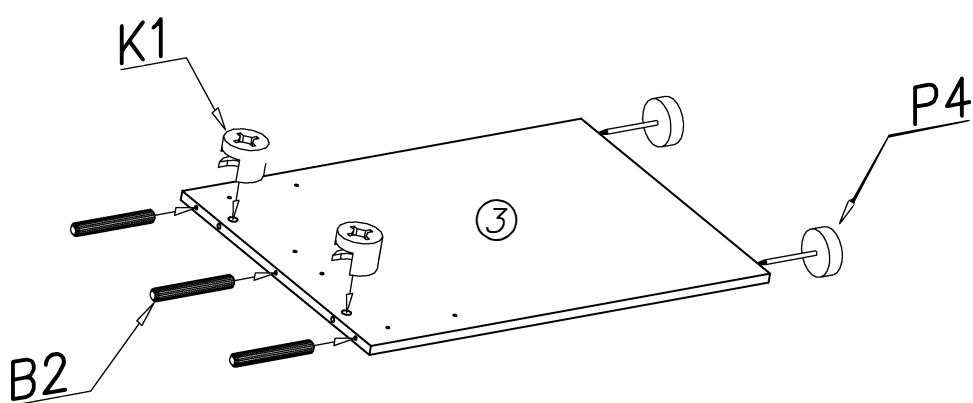


I27  18mm x...(2)	G58  6x32 x...(2)	A6  ø7x40 x...(20)	K4  ø12x10 x...(10)	G10  6x13 x...(18)
G34  3,5x16 x...(7)	I7  ø18 x...(18)	H23  H27-350mm x...(5)	M8  350mm x...(1)	
K1  ø15x12 x...(14)	G55  6x22 x...(8)		P4  x...(6)	G20  5x11 x...(20)
K10  x...(24)	I1  x...(5)	W2  x...(1)	I4  ø5 x...(5)	B2  ø6x35 x...(31)

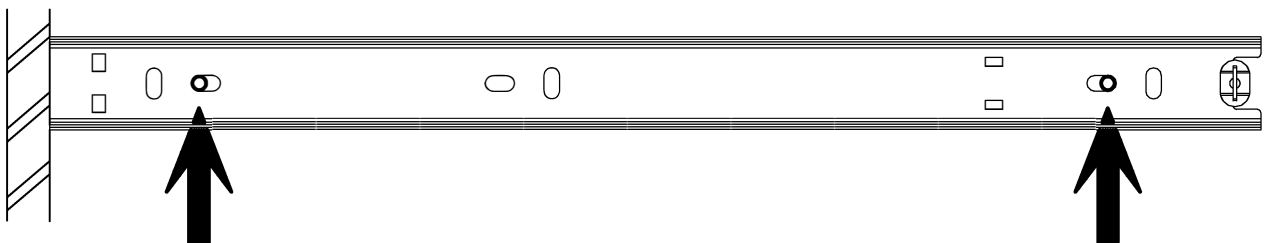
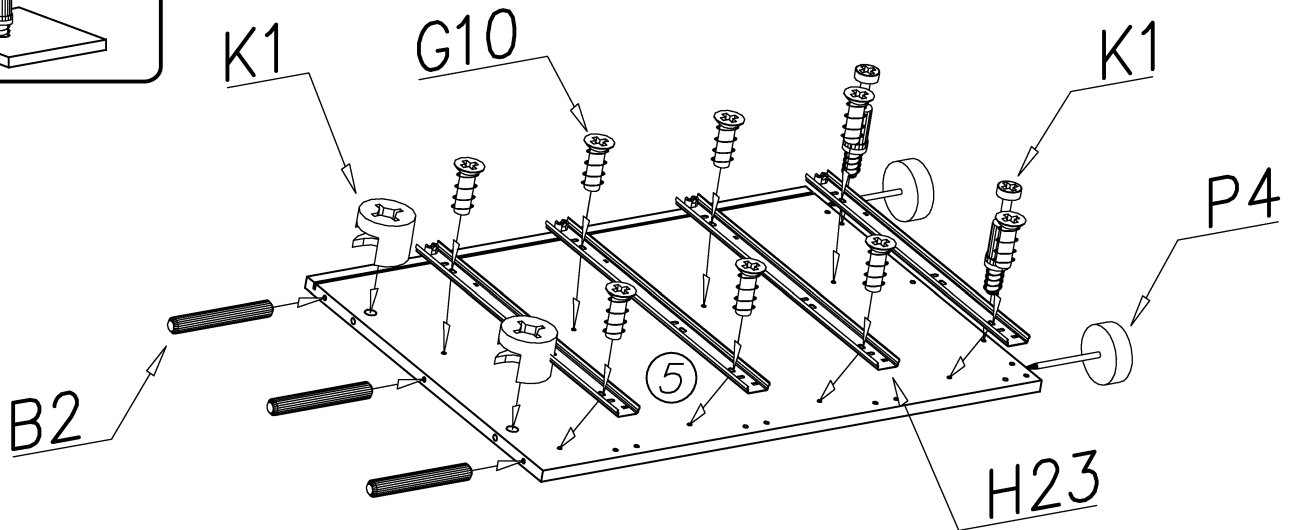
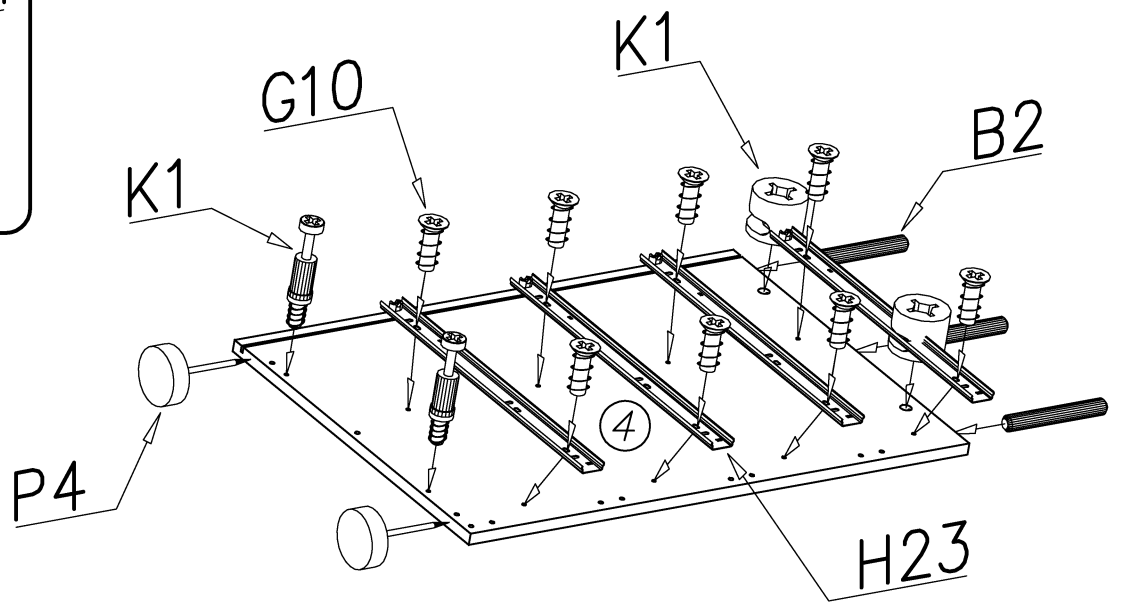
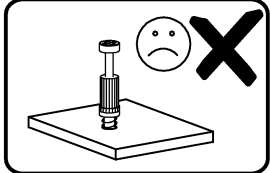
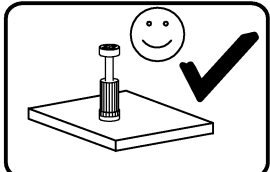
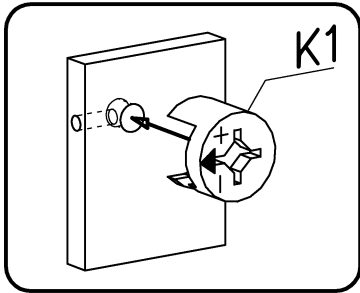
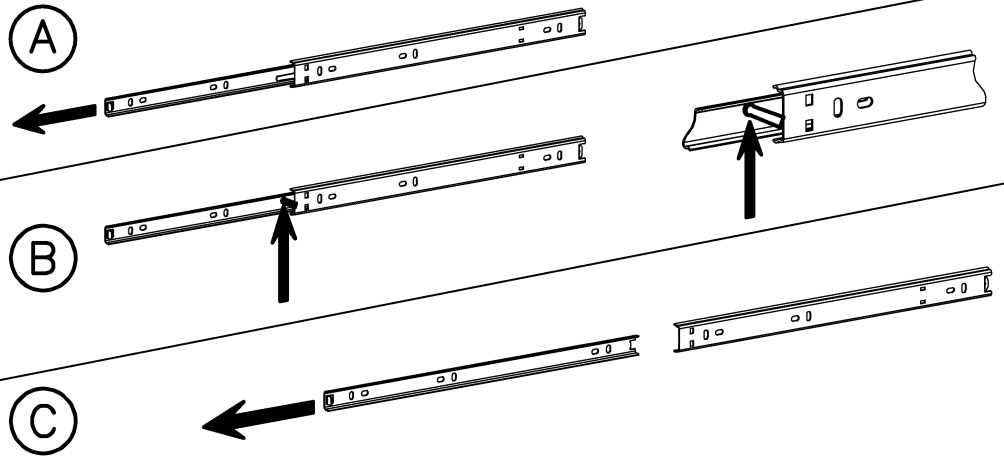
I



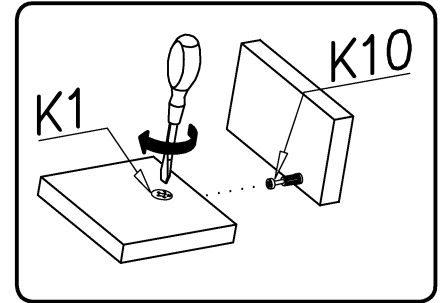
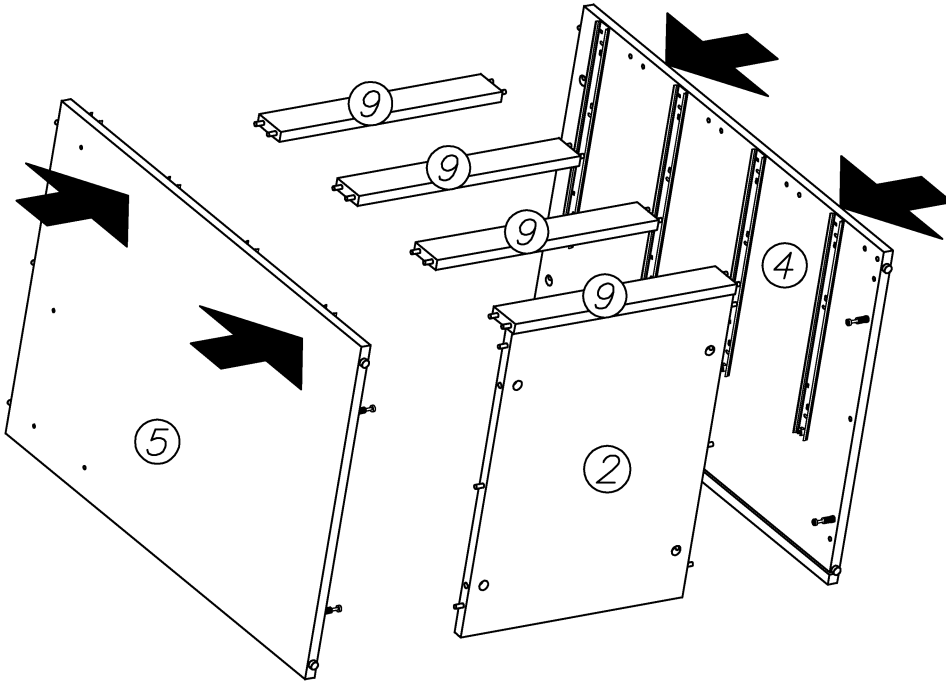
II



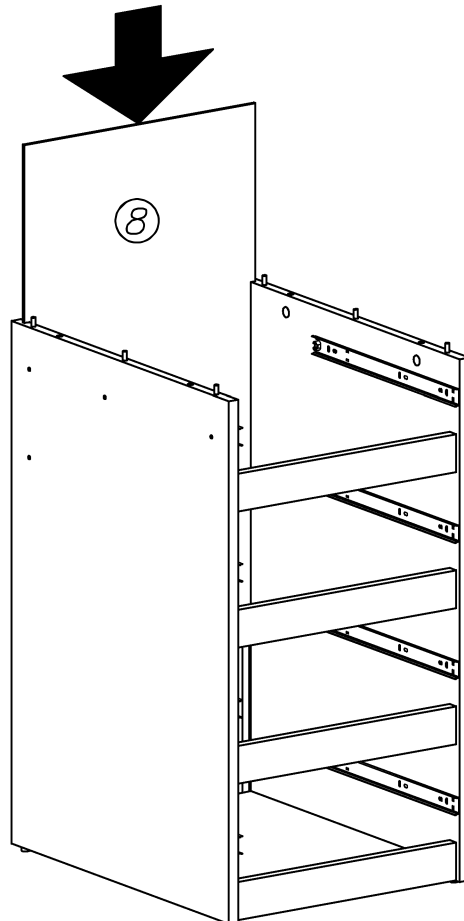
III

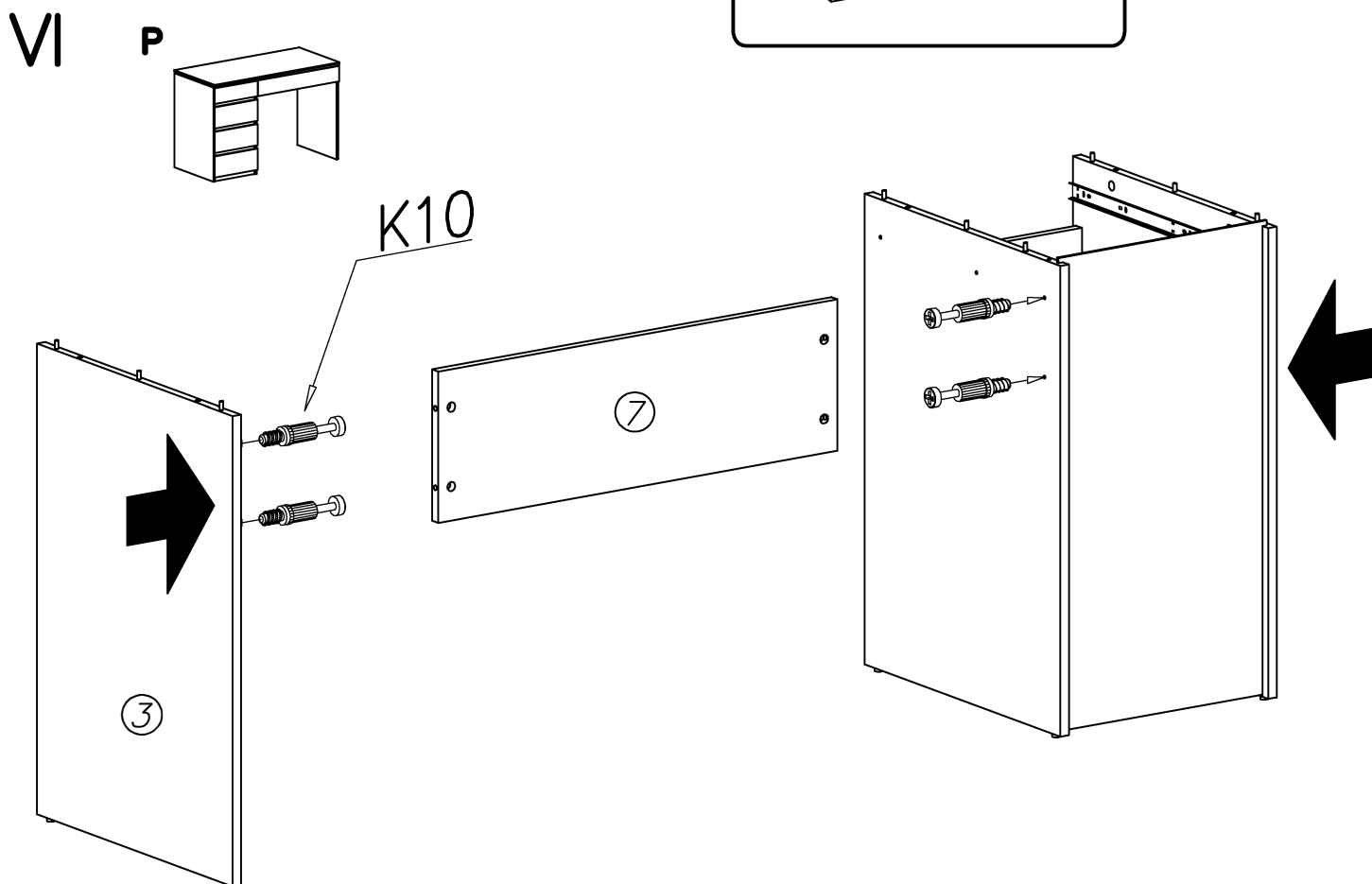
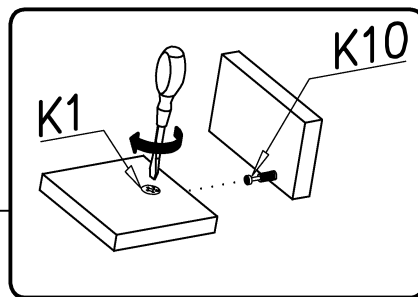
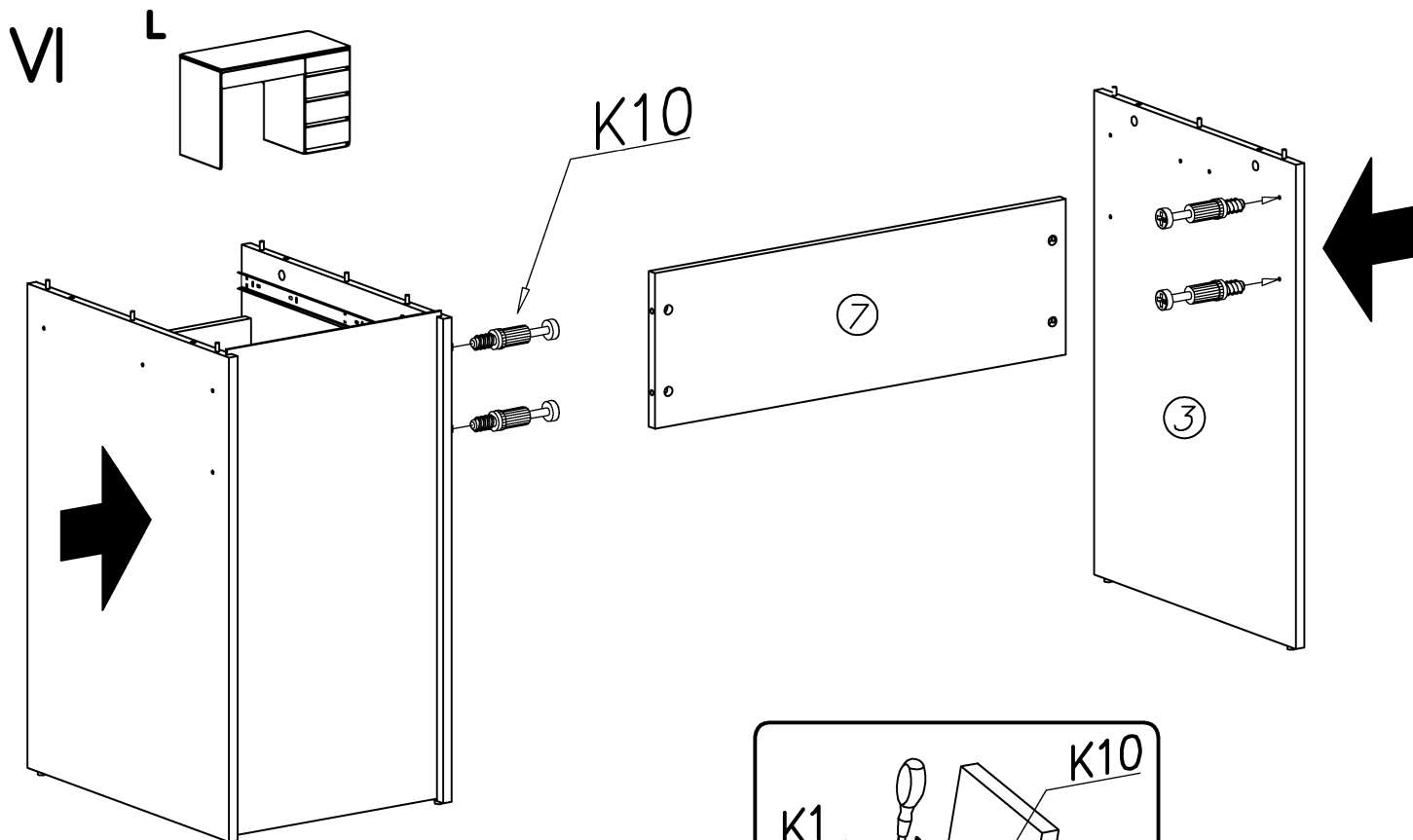


IV



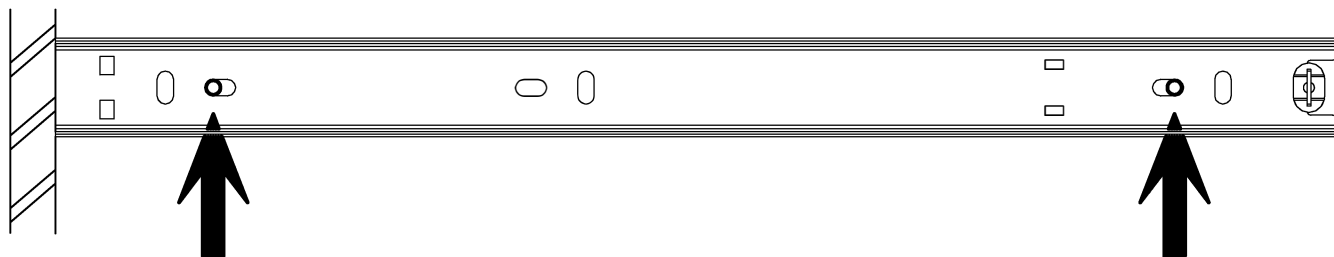
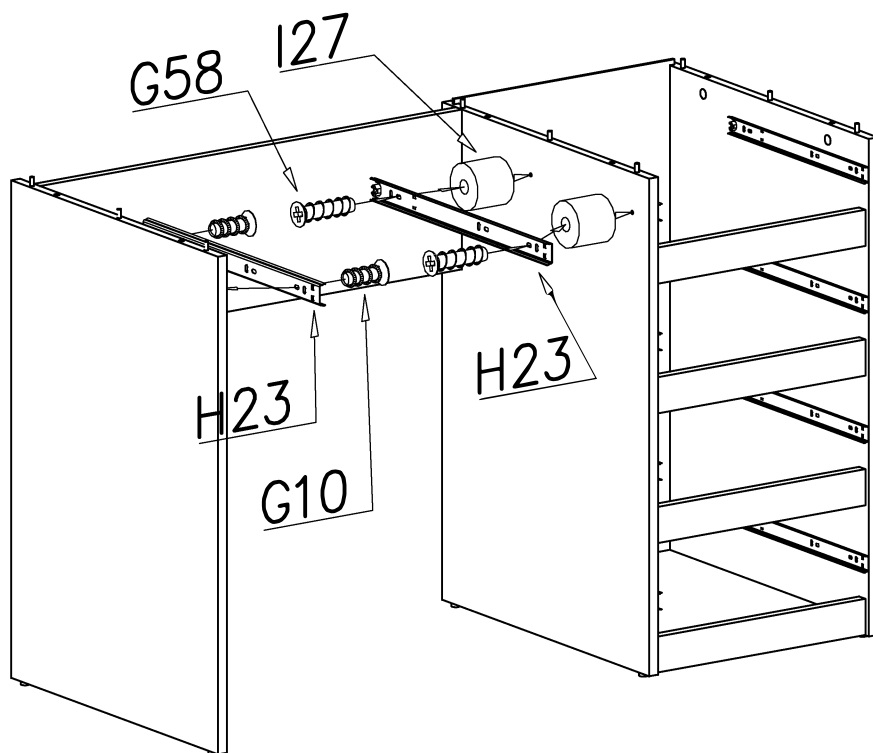
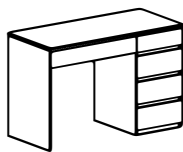
V





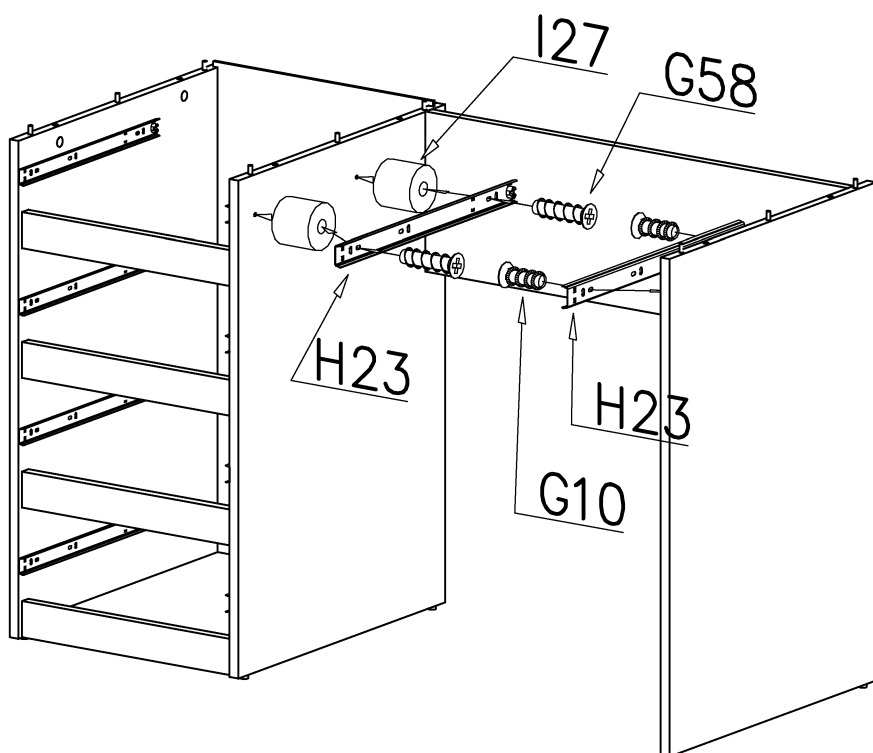
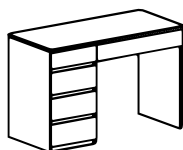
VII

L



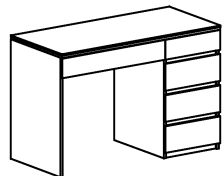
VII

P

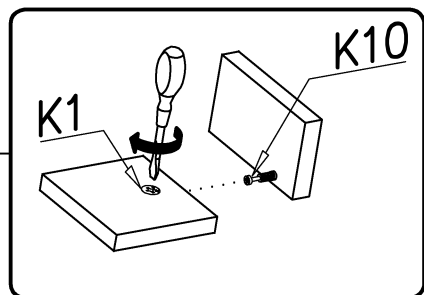
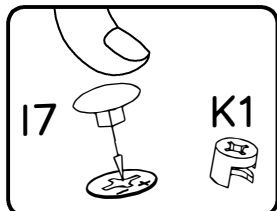
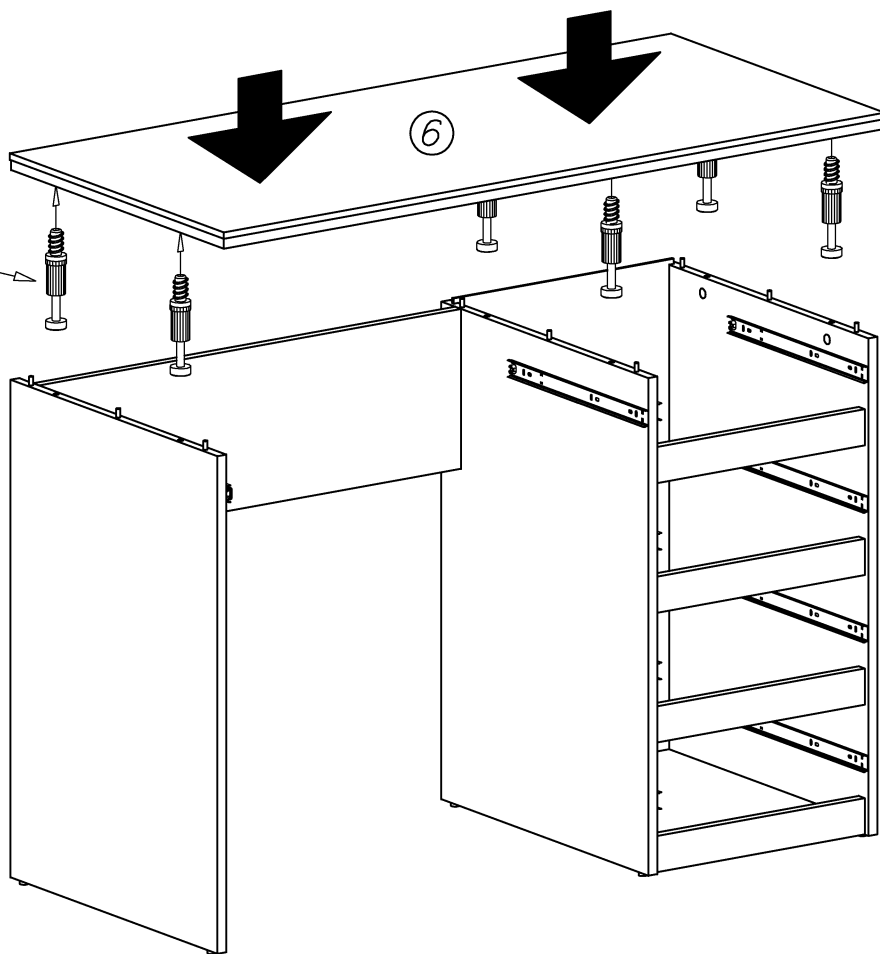


VIII

L

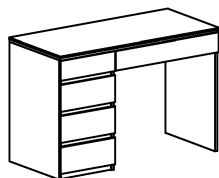


K10

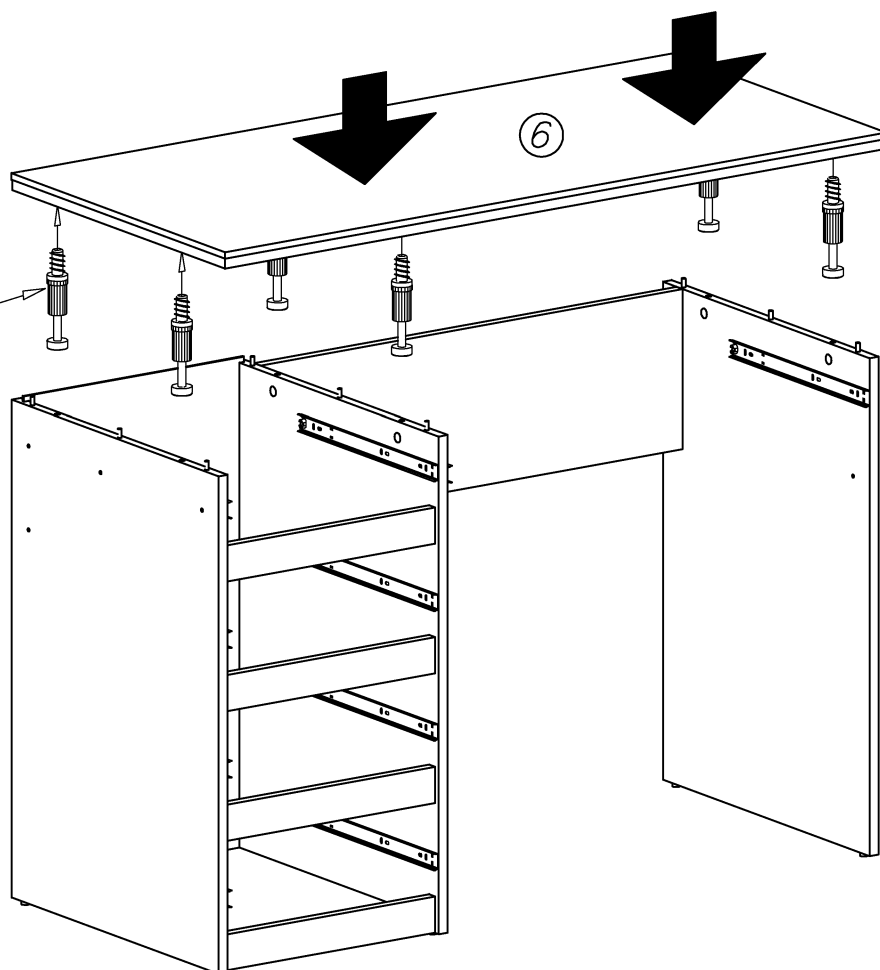


VIII

P

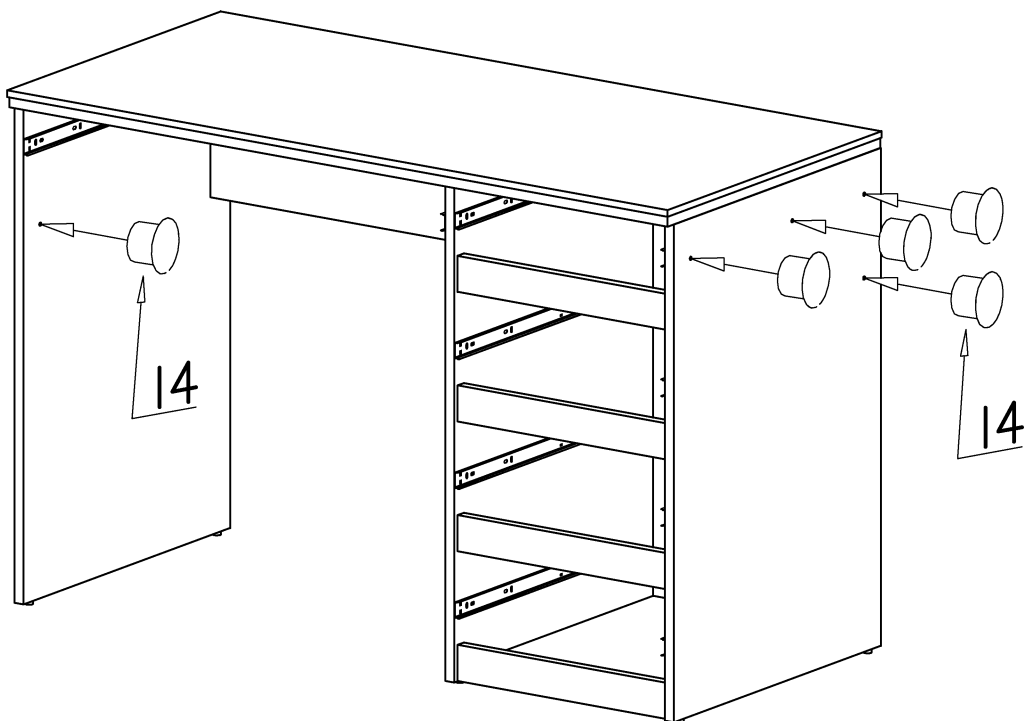
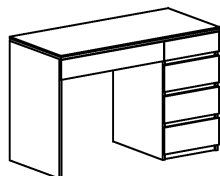


K10



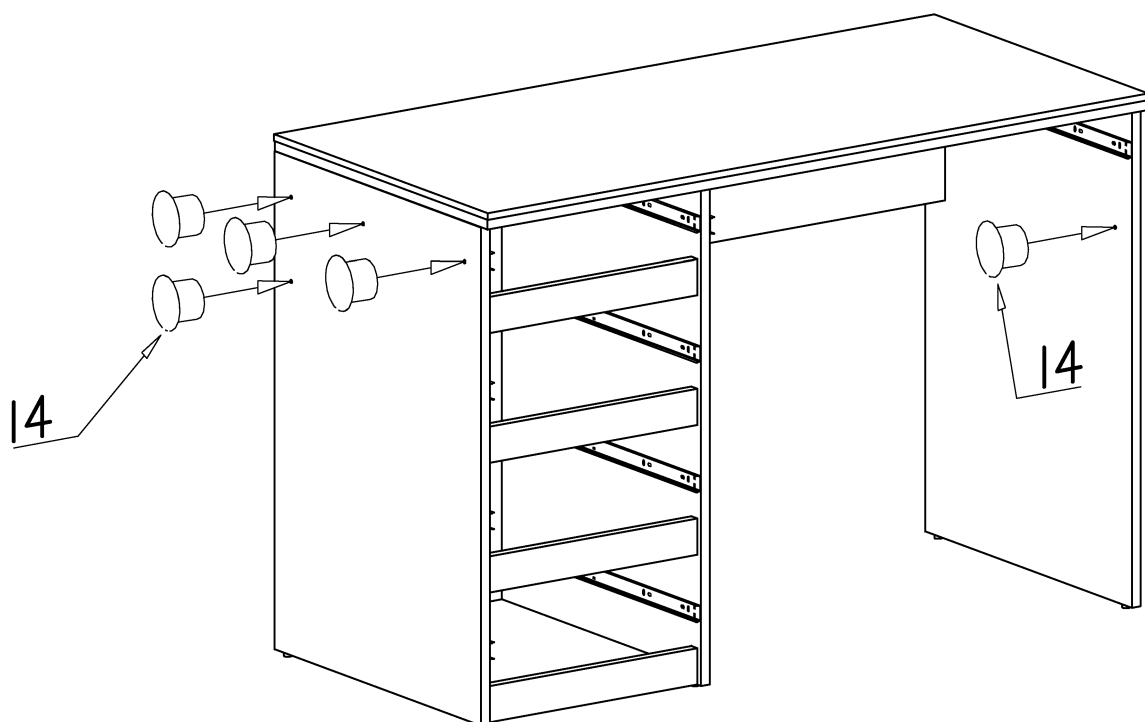
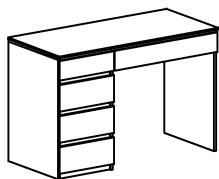
IX

L



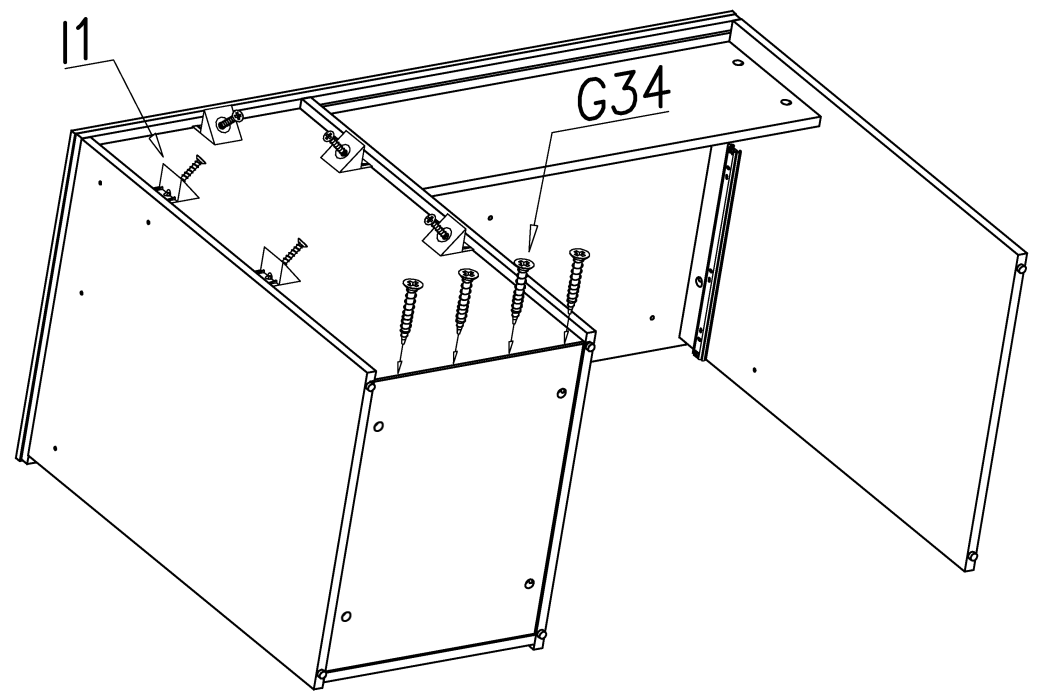
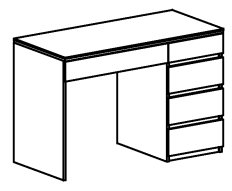
IX

P



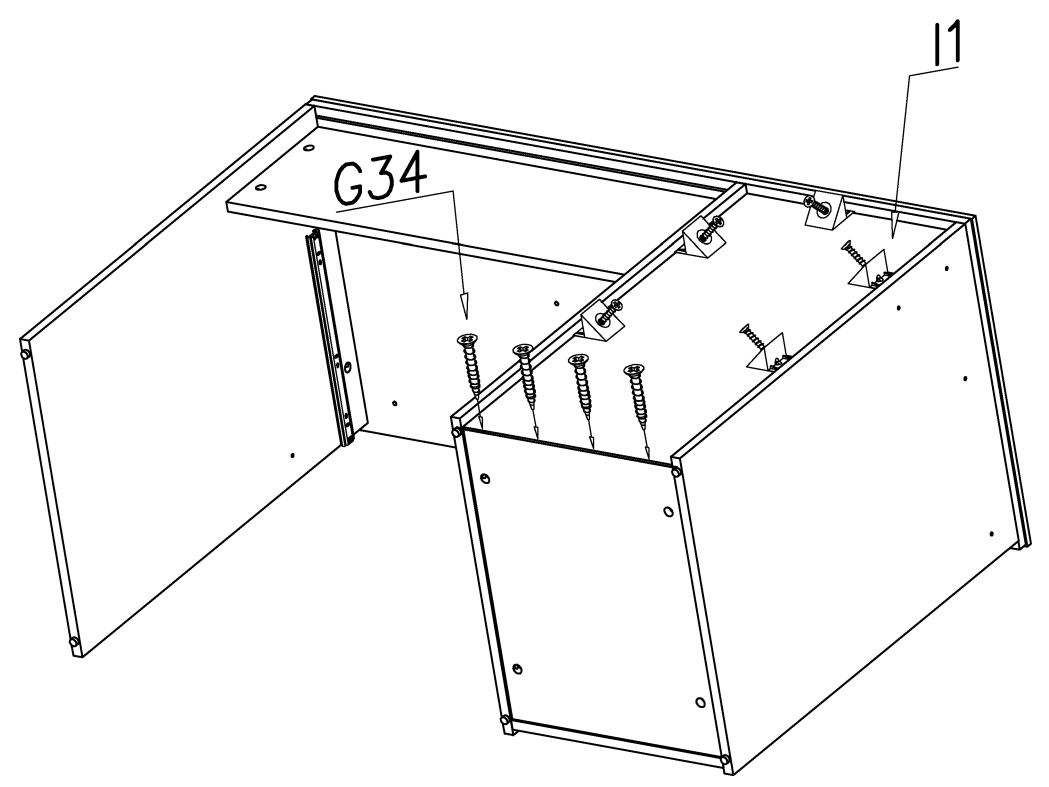
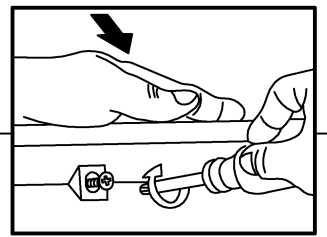
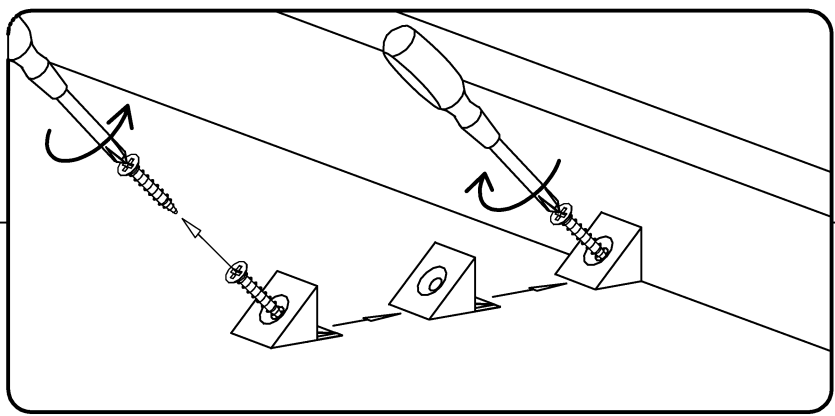
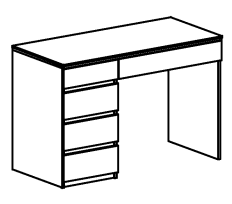
X

L

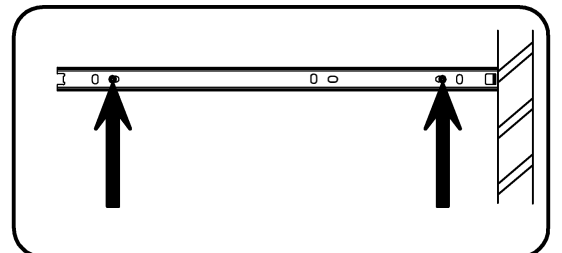
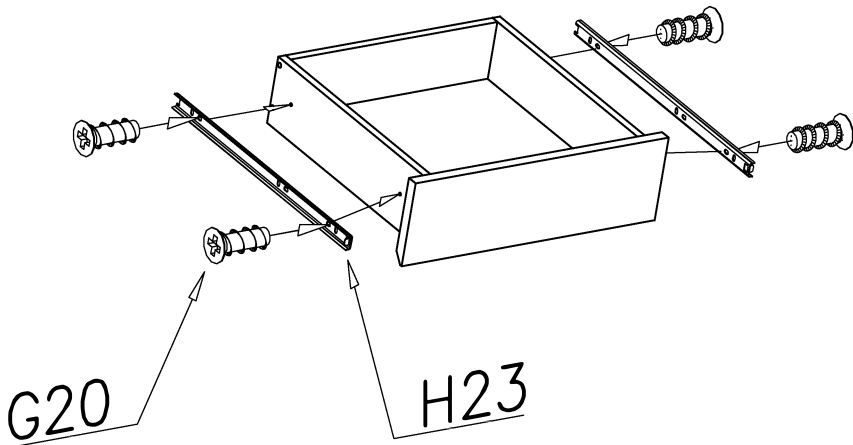
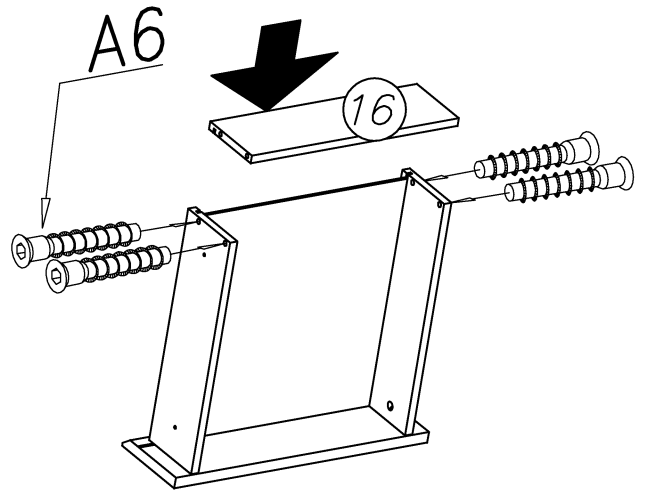
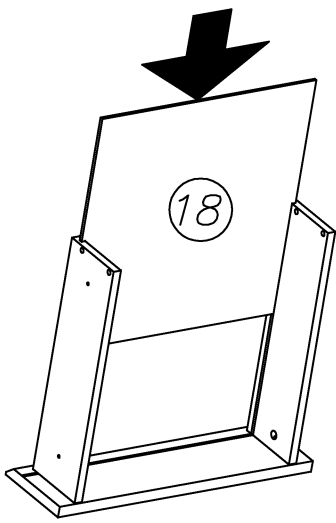
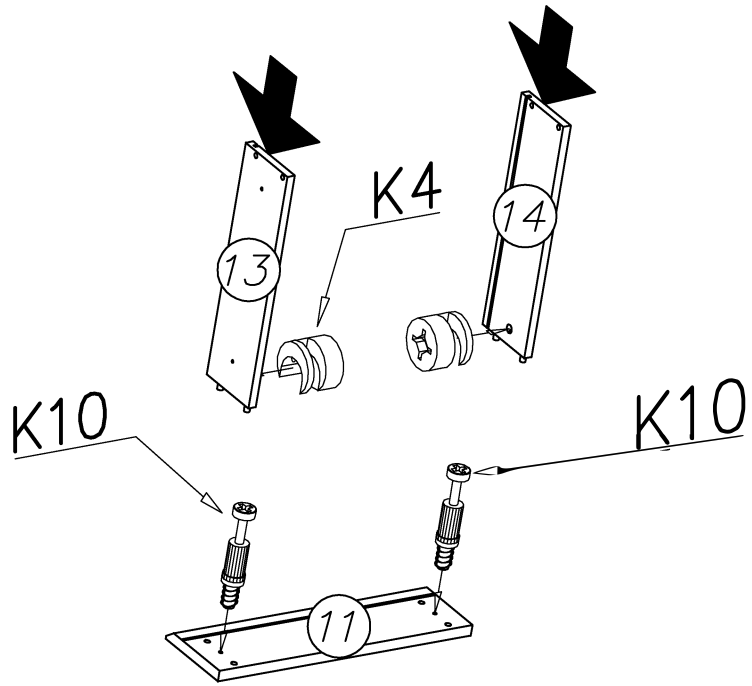


X

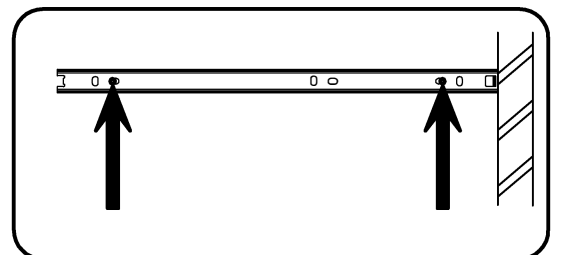
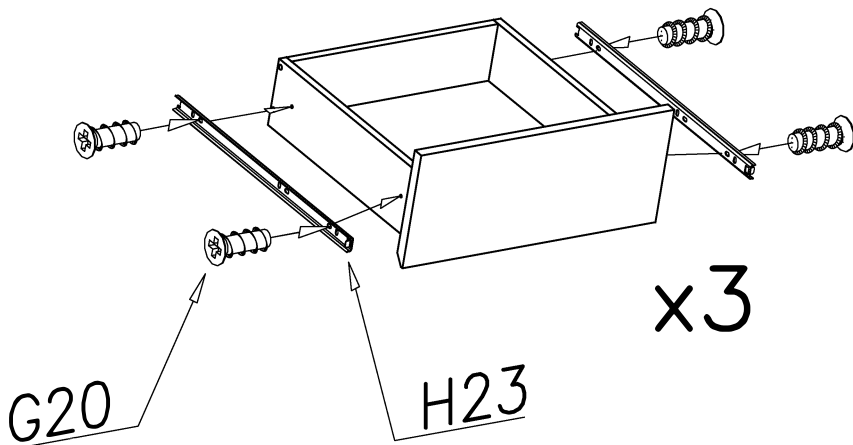
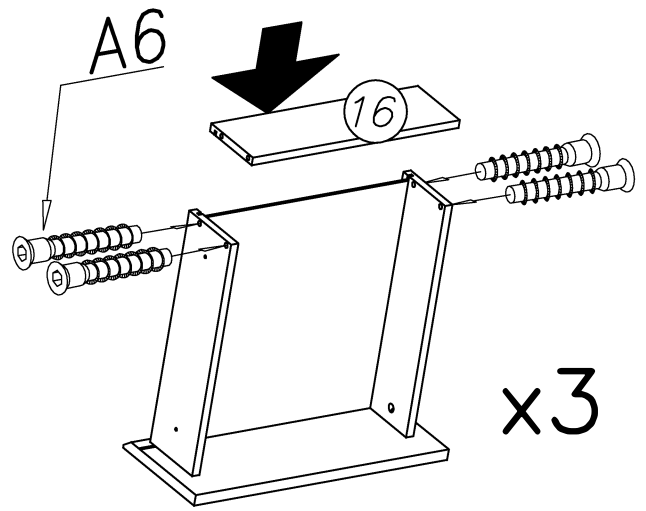
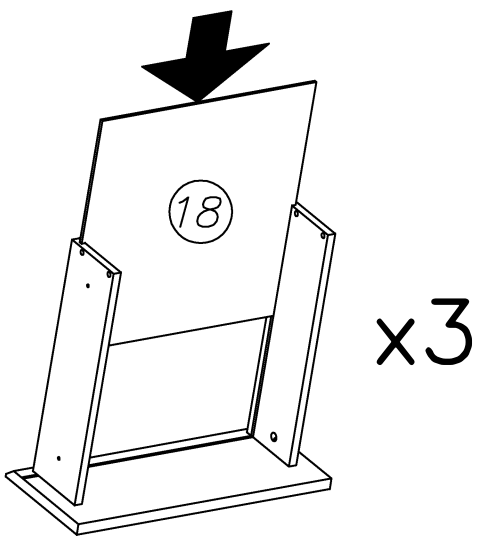
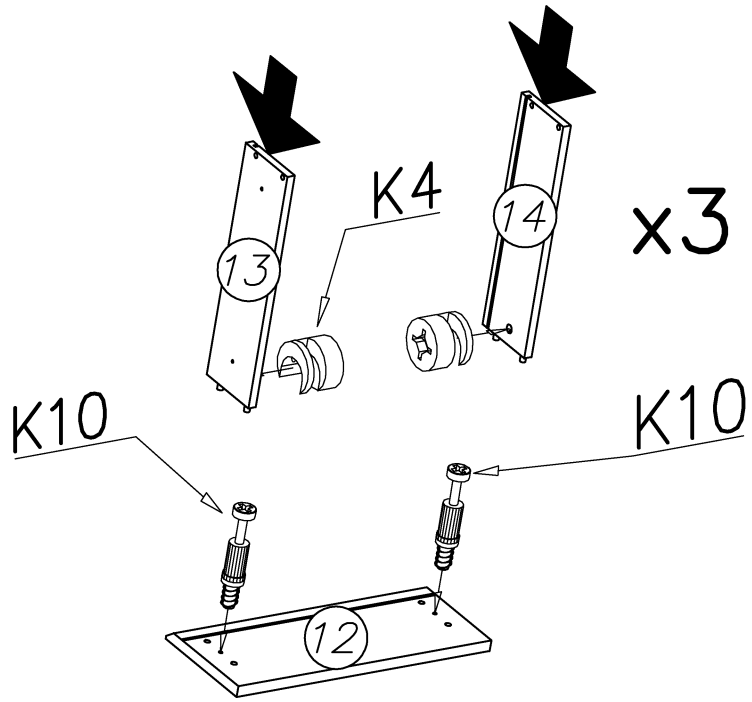
P



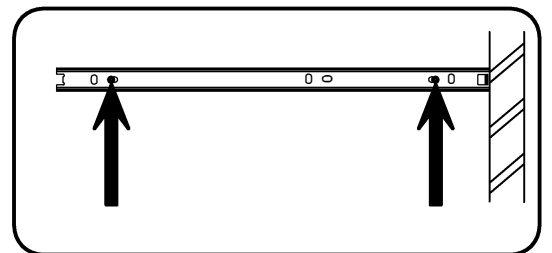
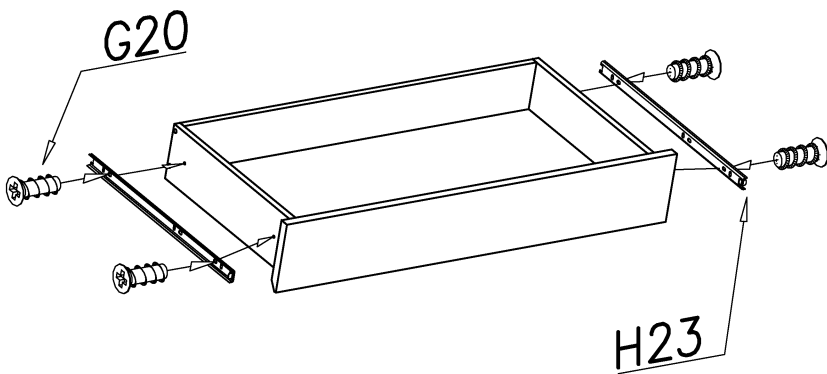
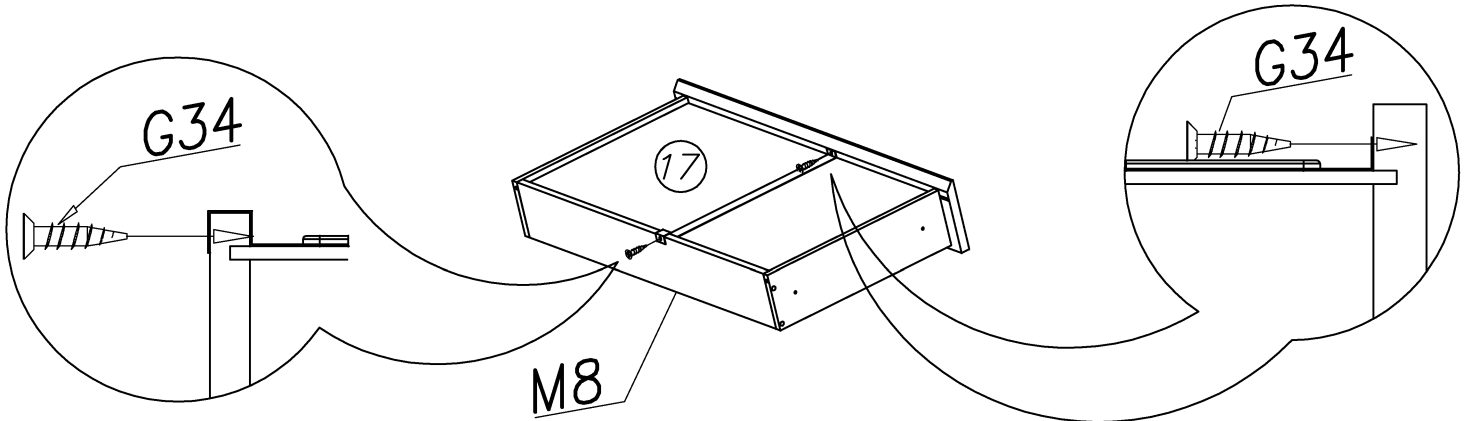
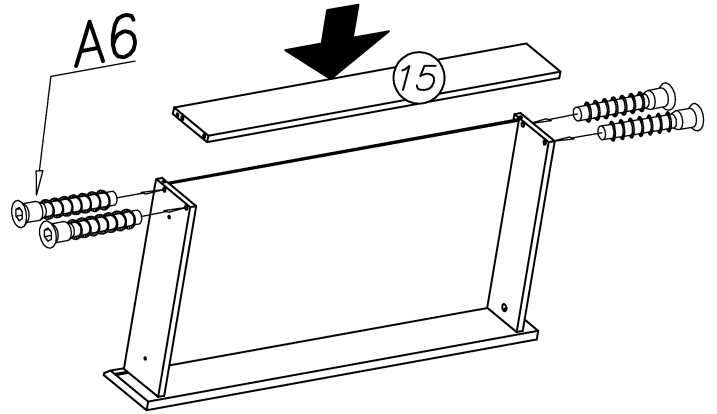
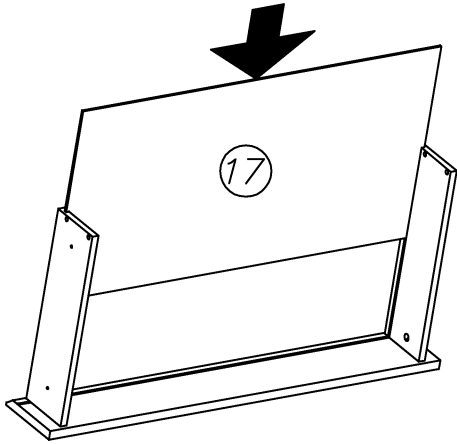
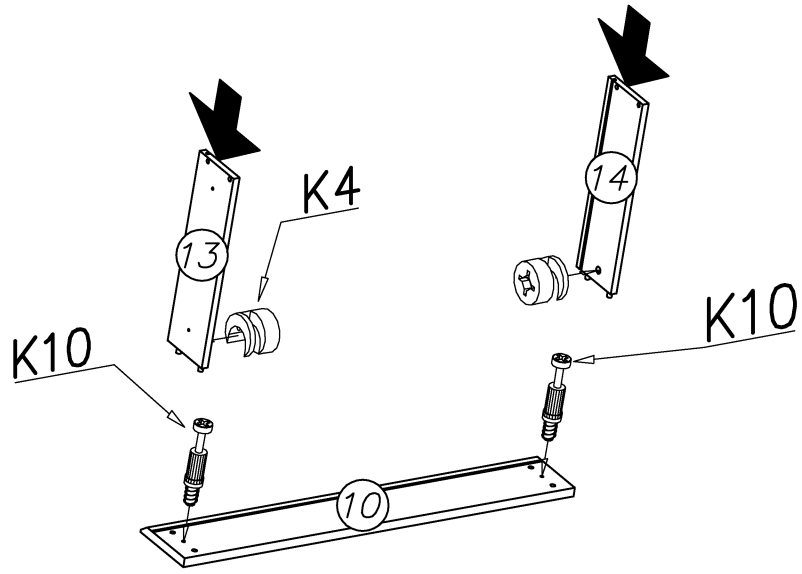
XI



XII

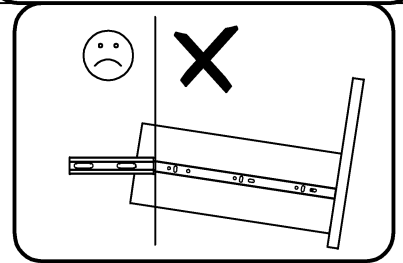
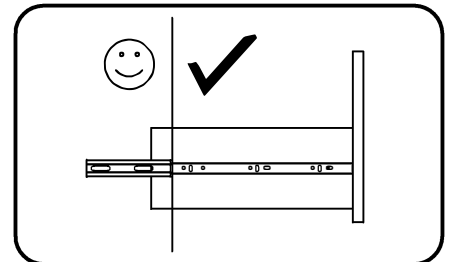
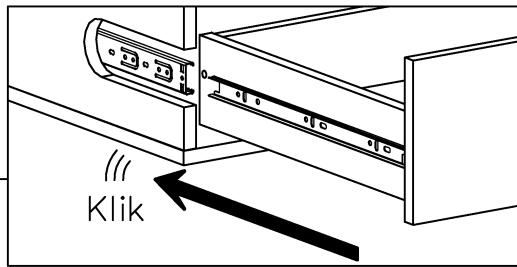
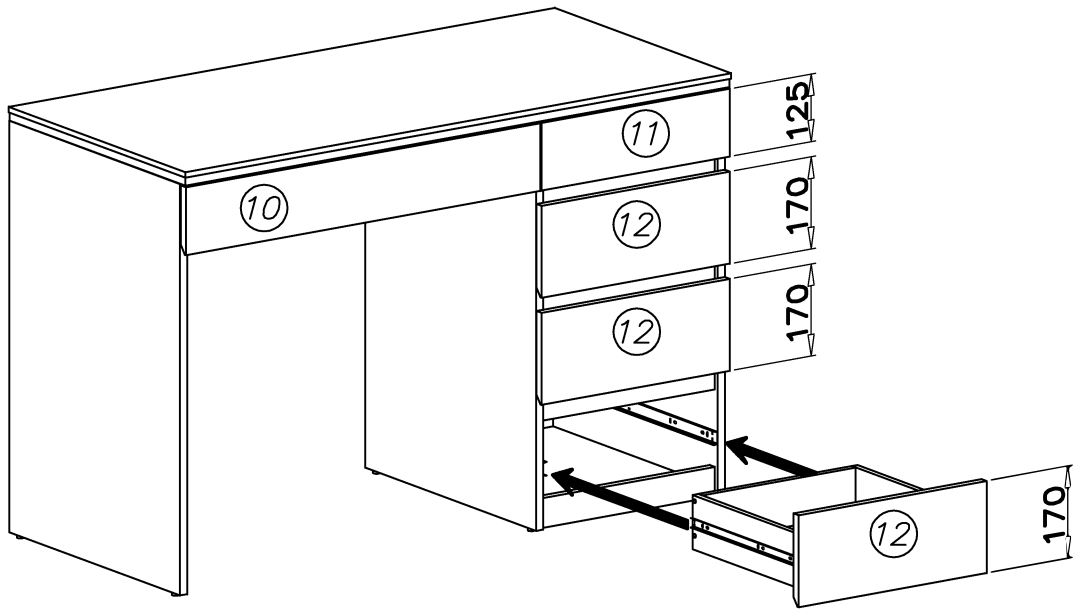


XIII



XIV

L



XIV

P

