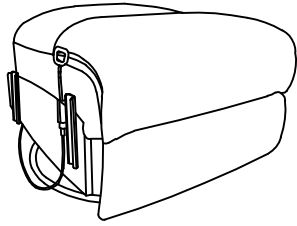


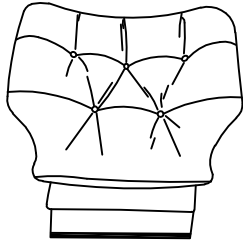
# Assembly Instruction

## PART LIST

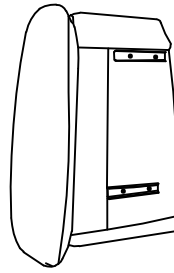
Ax1



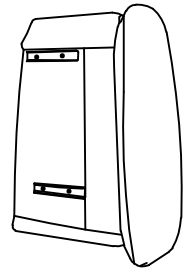
Bx1



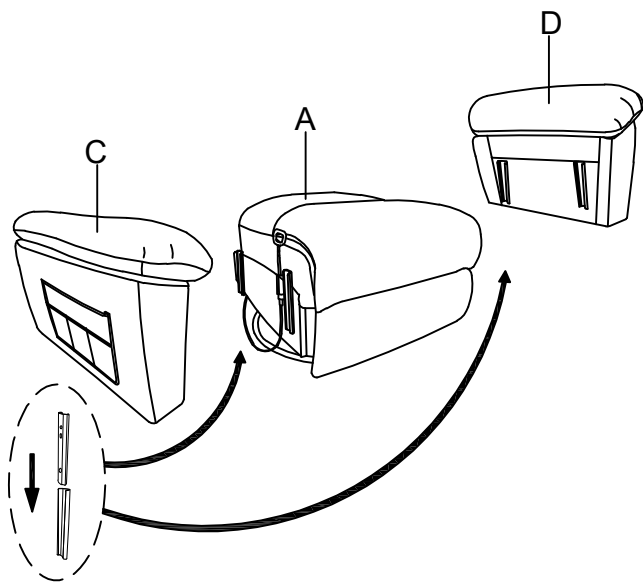
Cx1



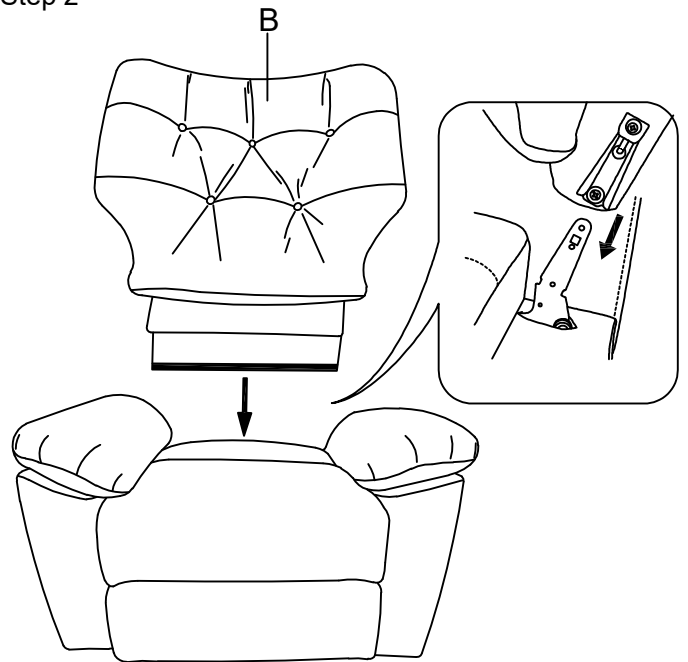
Dx1



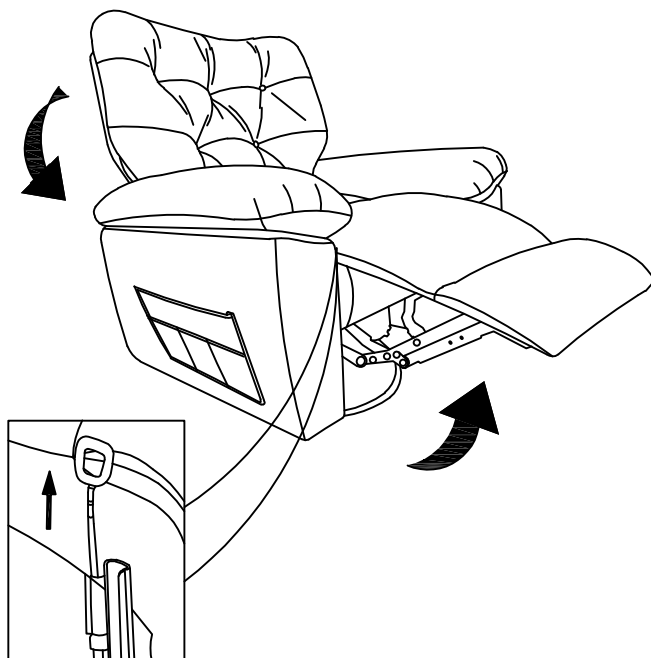
Step 1



Step 2



Step 3



Step 4

