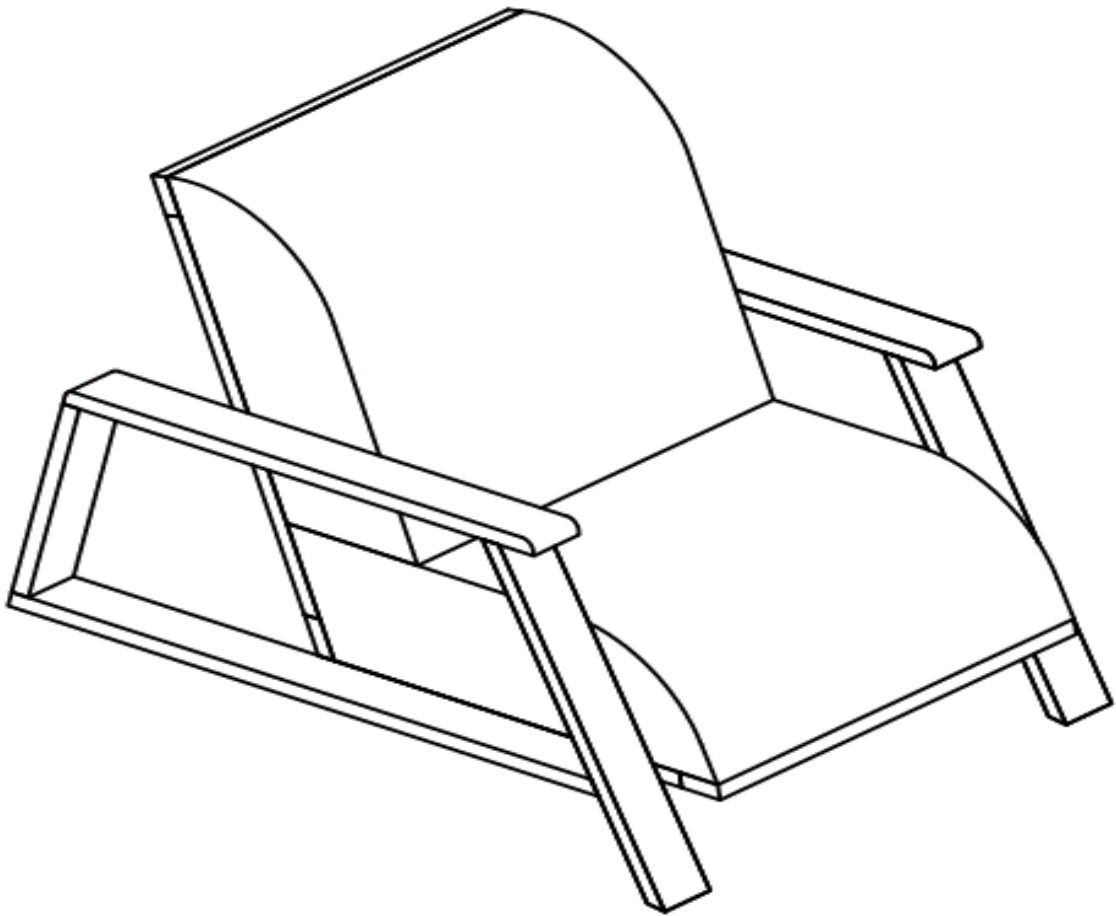


Assembly Instructions

Caution: You must read this before you proceed

Please look in the Leg for hardware packs

CHAIR


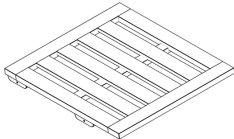
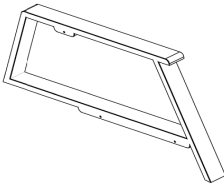
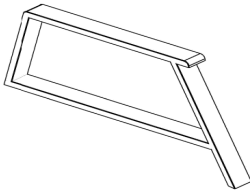
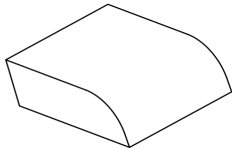
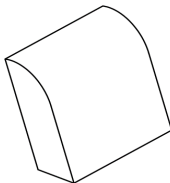


CAUTION: This Chair is NOT a TOY.

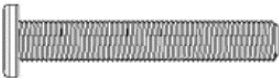
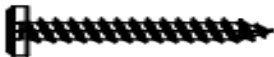

Keep your child / children at bay during the assembly process.

Whenever lifting or moving the Chair and to prevent damage to the Chair, two adults may be needed to execute these actions.

Parts List

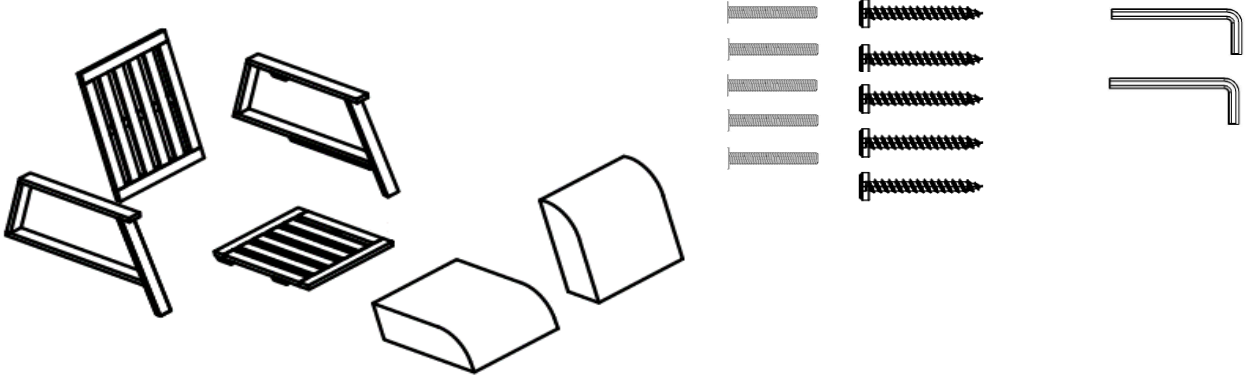
| Label | Picture | Description | QTY |
|-------|---|-----------------|-----|
| A |  | Backrest Panel | 1 |
| B |  | Seat Panel | 1 |
| C |  | Right Arm Panel | 1 |
| D |  | Left Arm Panel | 1 |
| E |  | Seat Cushion | 1 |
| F |  | Back Cushion | 1 |






Hardware

| Label | Picture | Description | QTY |
|-------|---|-------------------|-----|
| ① |  | Bolt(6X 50MM) | 5 |
| ② |  | Screw (M6 X 50mm) | 6 |
| ③ |  | Allen Wrench | 2 |

Assembly Preparation

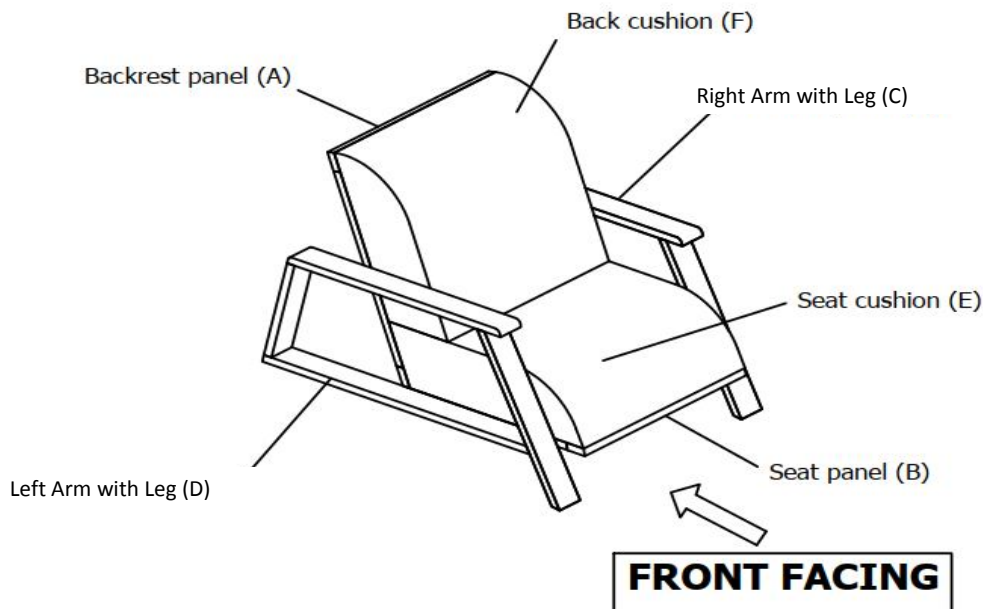
Before Beginning Assembly:



-  • Read instructions, cover to cover-
-  • Have 2 adults on hand for assembly-
-  • Do not assemble on flooring or carpet-
-  • Assemble on a clean non-marring surface (packing foam)-
-  • Save all packaging until finished-

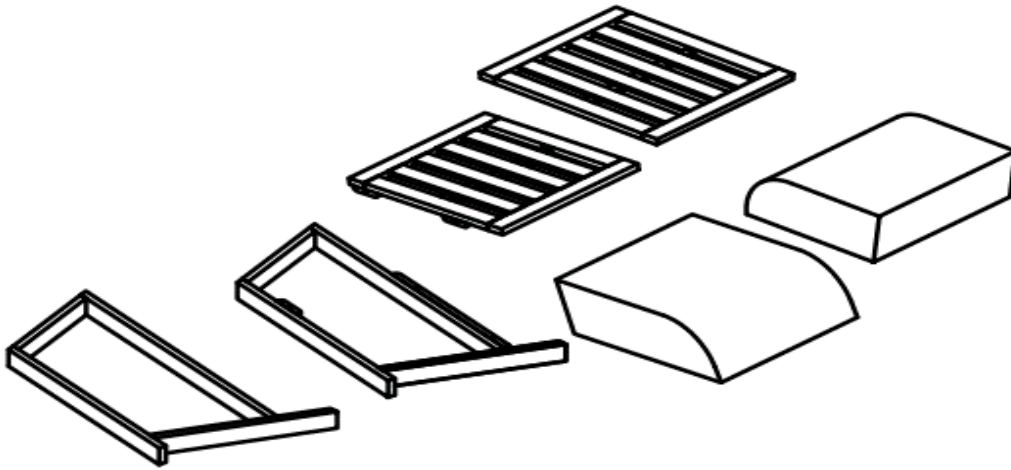
Assembly Steps

Overview



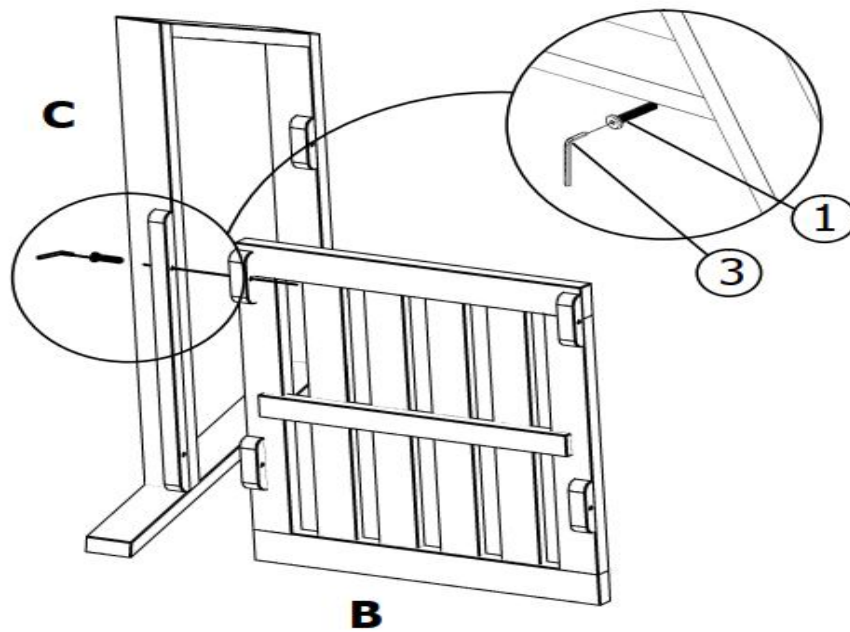
This Chair has multiple parts and may require up to 30 minutes to assemble. To give you an overview of the Chair, the above picture is to help you put the various parts into perspective. Please read through the instructions below to familiarise yourself with the parts and steps before assembly.

Step 1



Unpack and place all parts on a clean, non-marring surface.

Step 2

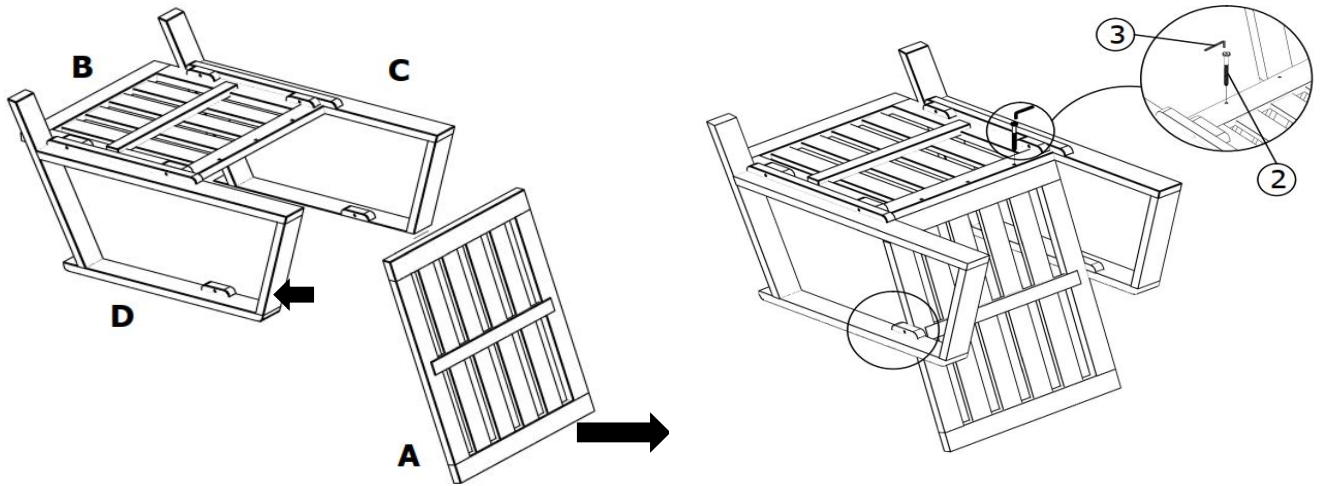


With the help of your adult partner, attach the Right Arm with Leg(C) to Seat Panel(B) by using Bolt(1) and Allen Wrench(3) as shown above.

Repeat the same process with Left Arm with Leg(D).

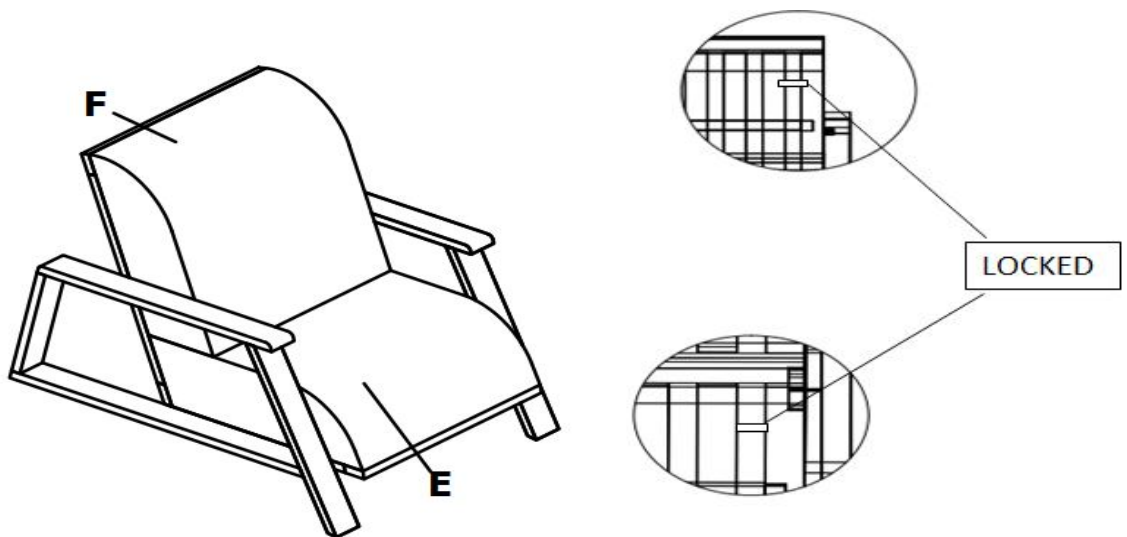
Do not fully tighten the Bolts.

Step 3












With the help of your adult partner, attach the Backrest Panel(A) to assembled in step 2. Secure the to the Backrest Panel(A) to the Seat Panel(B), Right Arm with Leg(C) and Left Arm with Leg(D) by using Screw(②) and Allen Wrench(③) as shown above.
Do not fully tighten the Screws.

Step 4



With the help of your adult partner, turn right side up the Chair then place Seat Cushion(E) and Back Cushion(F) to the Chair.
Tie the magic tape straps on the Seat Cushion(E) and Back Cushion(G) to the Chair as shown above.
Inspect it and make sure all parts are adequately connected.
Ensure all Screws, Bolts are fully locked into position and secured.
The Chair is ready to be used.
Caution: This Chair can only be used on a flat, level surface.

Care & Maintenance

- ⊗  ● Do not put hot items directly on furniture surface.
- ⊗  ● Do not clean furniture with harsh cleansers or polish.
- ✓  ● To obtain the longest lifespan of your outdoor products, minimizing exposure to direct sunlight is recommended.
- ⊗  ● Children should not climb or jump on the furniture.
- ⊗  ● Do not write on furniture without a padded barrier to protect the surface.
- ✓  ● To obtain the longest lifespan of your outdoor products, avoid extended and lengthy exposure to rain, snow, and direct sunshine. Whenever possible cover the product and /or place under patio or awnings.
- ⊗  ● Not for commercial use. For residential use only.
- ⊗  ● Stains may be removed with mild soap solution and damp cloth.
- ✓  ● Dust and pick-up spills using a clean, non-colored, lint-free cloth .