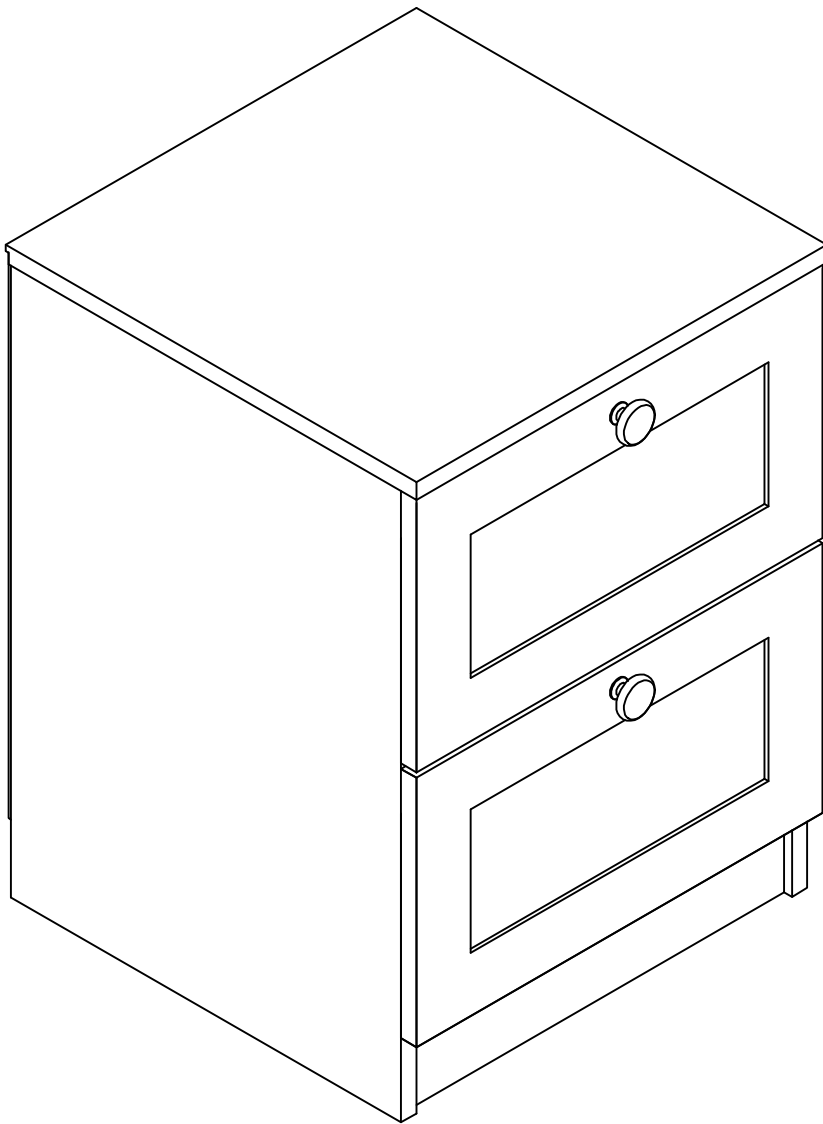


2 DRAWER BEDSIDE

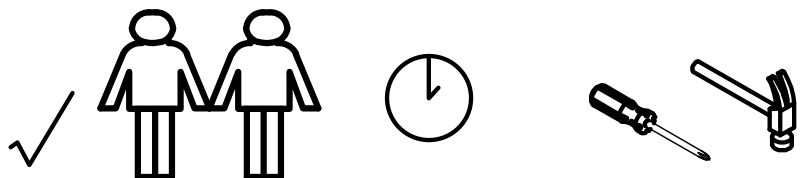
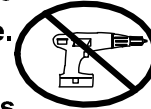
ASSEMBLY INSTRUCTION - Please Keep For Future Reference



Safety and Care Advice

IMPORTANT - Please Read This Instruction Carefully Before Assembly.

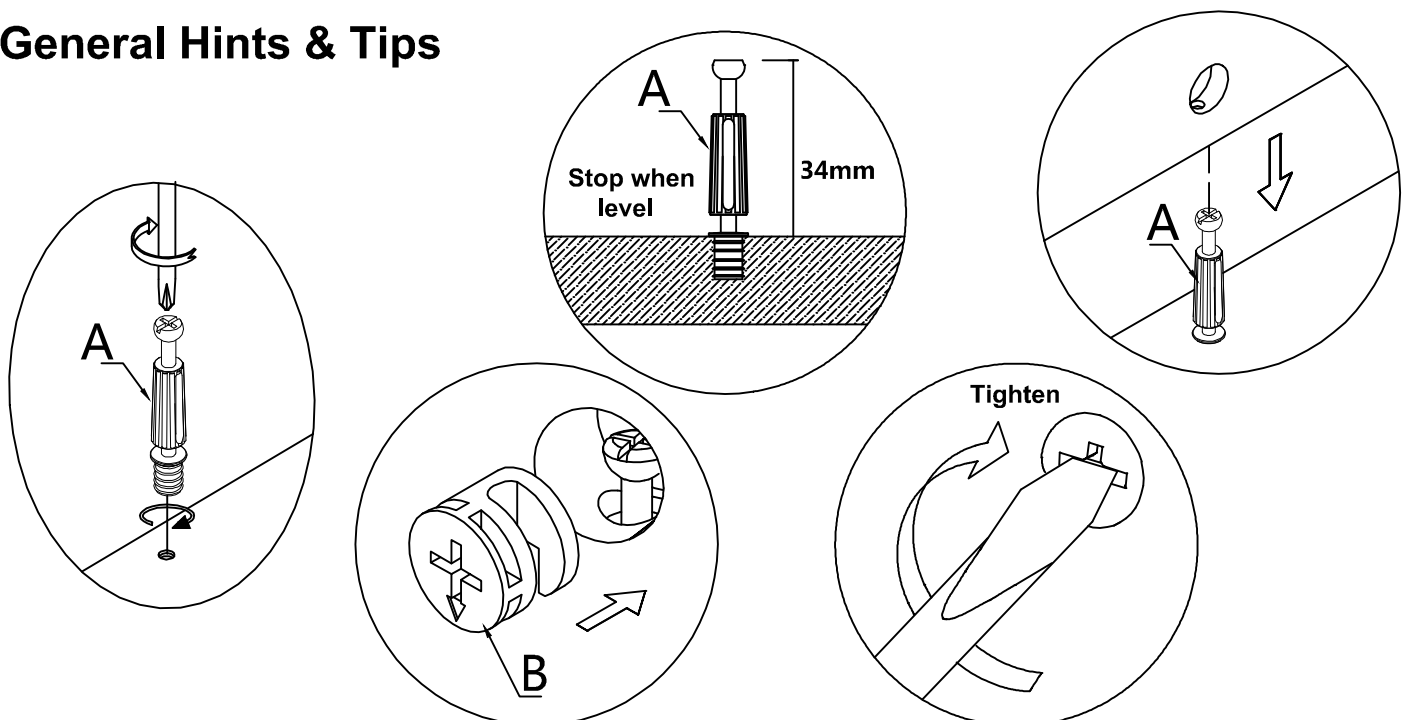
- Check you have all the components and tools listed on page 3.
- Remove all settings from the plastic bags and separate them into their groups.
- Keep children and animals away from the work area, small parts could choke if swallowed.
- Make sure you have enough space to layout the parts before assembly.
- Do not stand or put weight on the product, this could cause damage.
- Assemble the item as close to it's intended position (in the same room) as possible.
- Assemble on a soft level surface to avoid damaging the unit.
- Parts of the assembly will be easier with 2 people.
- Do not use power drill/drivers for assembly, or the unit may be damaged.
- Dispose of all packaging carefully and responsibly.



CARE and MAINTENANCE

- Only clean using a damp cloth and mild detergent, do not use bleach or abrasive cleaners.
- From time to time check that there are no loose screws on this unit.
- This product should not be discarded with household waste. Take to your local authority waste disposal center.

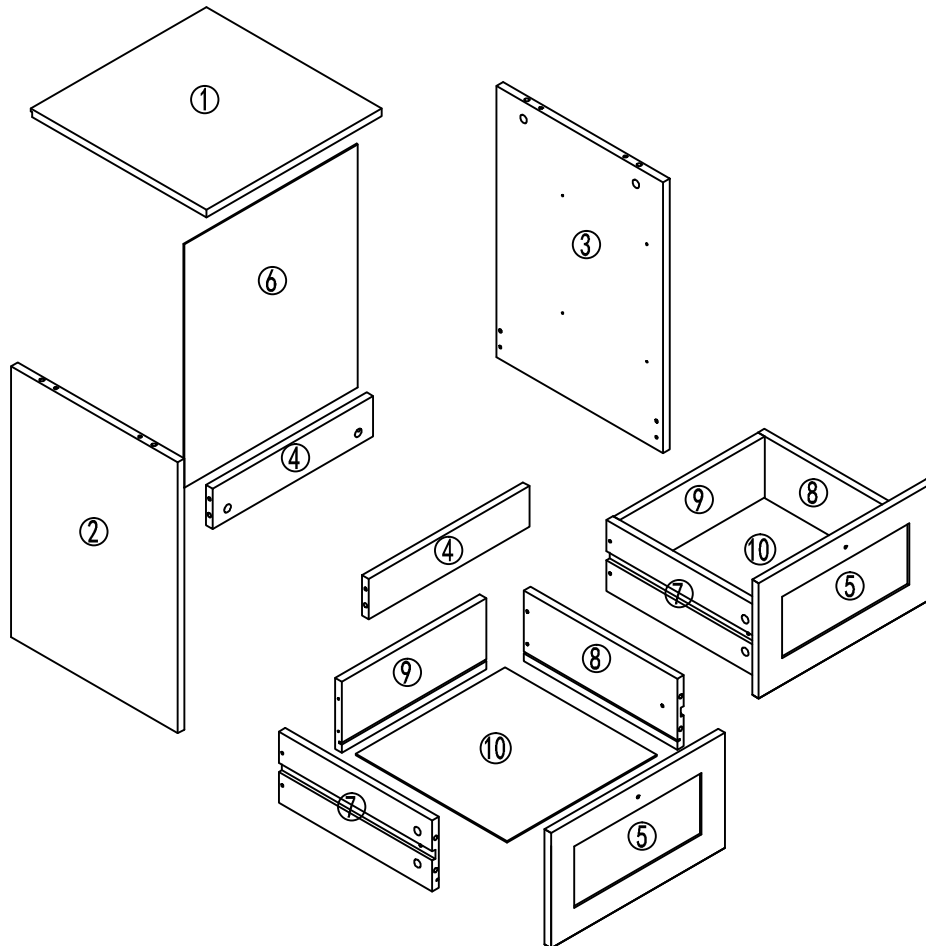
General Hints & Tips

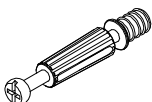
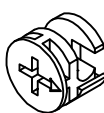
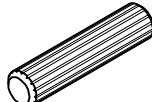

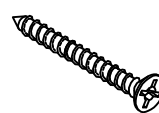

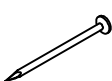
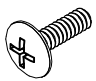
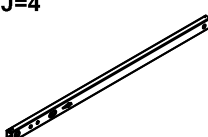
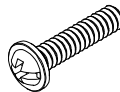



Components and Tools

IMPORTANT - Please Check If You Have All The Components and Tools.

Note: The quantities below are the correct amount to complete the assembly. In some cases more pieces may be supplied than are required.



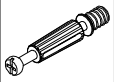
| | | | | | |
|--|--|---|---|---|--|
| <p>A=16</p>  <p>Peg M6*34mm</p> | <p>B=16</p>  <p>Lock M15*12mm</p> | <p>C=8</p>  <p>Dowel M8*30mm</p> | <p>D=8</p>  <p>Screw M3.5*14mm</p> | <p>E=8</p>  <p>Screw M4*38</p> | <p>F=4</p>  <p>Plastic Feet</p> |
| <p>G=9</p>  <p>Pin</p> | <p>H=4</p>  <p>Screw M4*12mm</p> | <p>J=4</p>  <p>Drawer Runner</p> | <p>I=2</p>  <p>Screw M4*18</p> | <p>K=2</p>  <p>Handle O5</p> | |

Assembly Instruction

Step 1

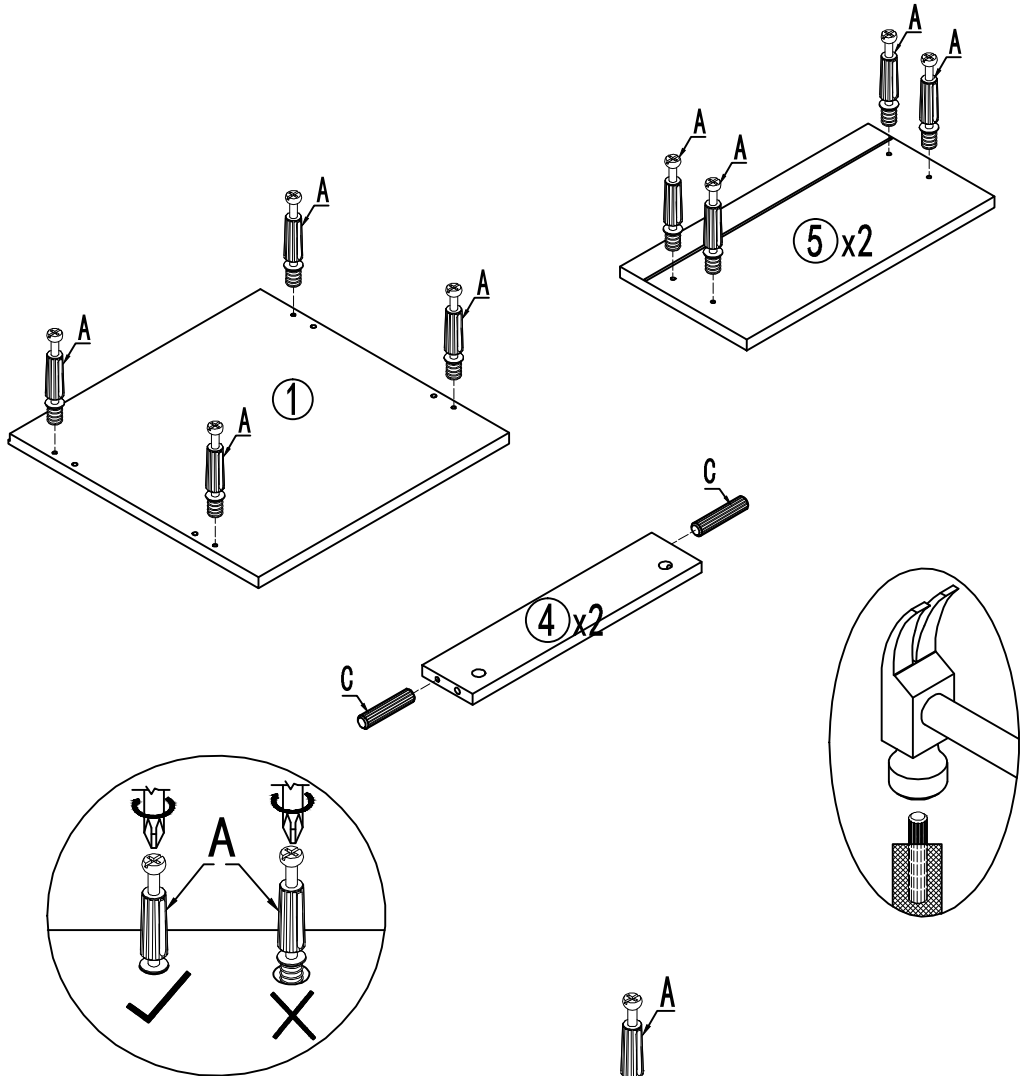
A=12

C=4



Peg

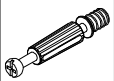
Dowel



Step 2

A=2

C=2



Peg

Dowel

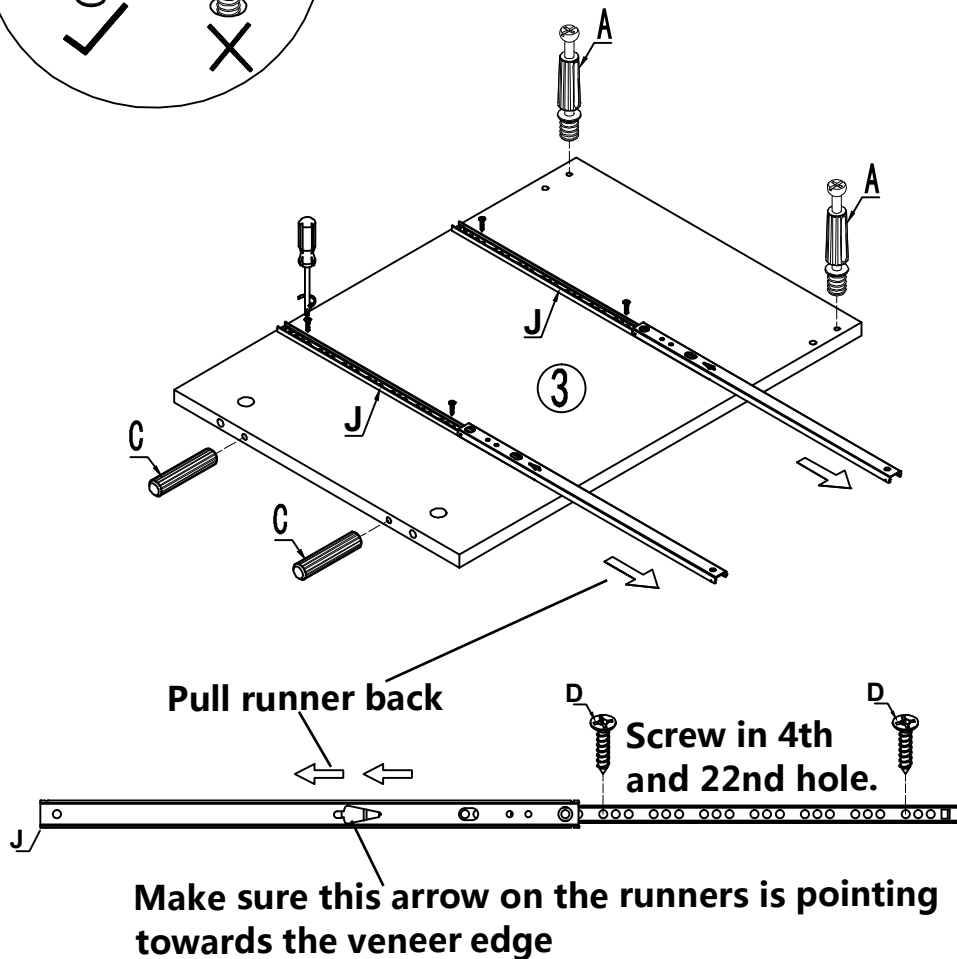
J=2

D=4



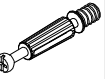



Drawer Runner

Screw M3.5*14mm

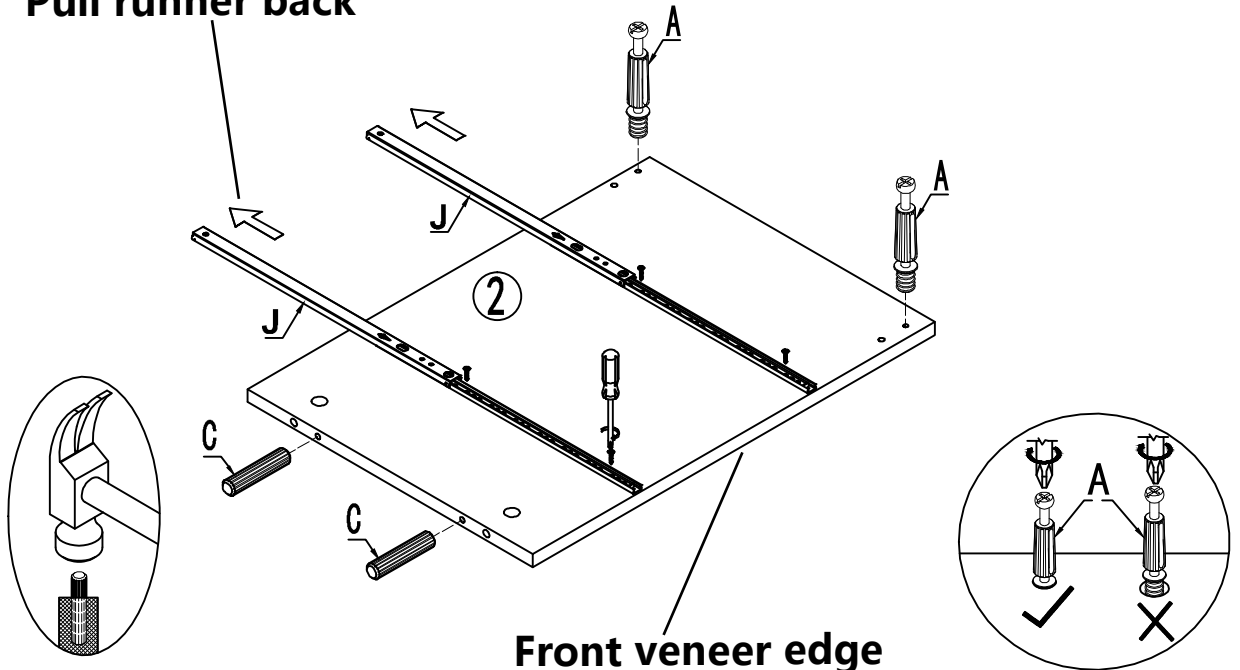


Assembly Instruction

Step 3

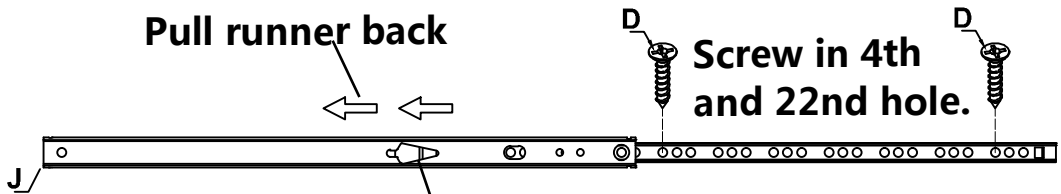
| | |
|--|---|
| A=2 | C=2 |
|  |  |
| Peg | Dowel |
| J=2 | D=4 |
|  |  |
| Drawer Runner | Screw M3.5*14mm |

Pull runner back



Front veneer edge

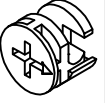
Pull runner back

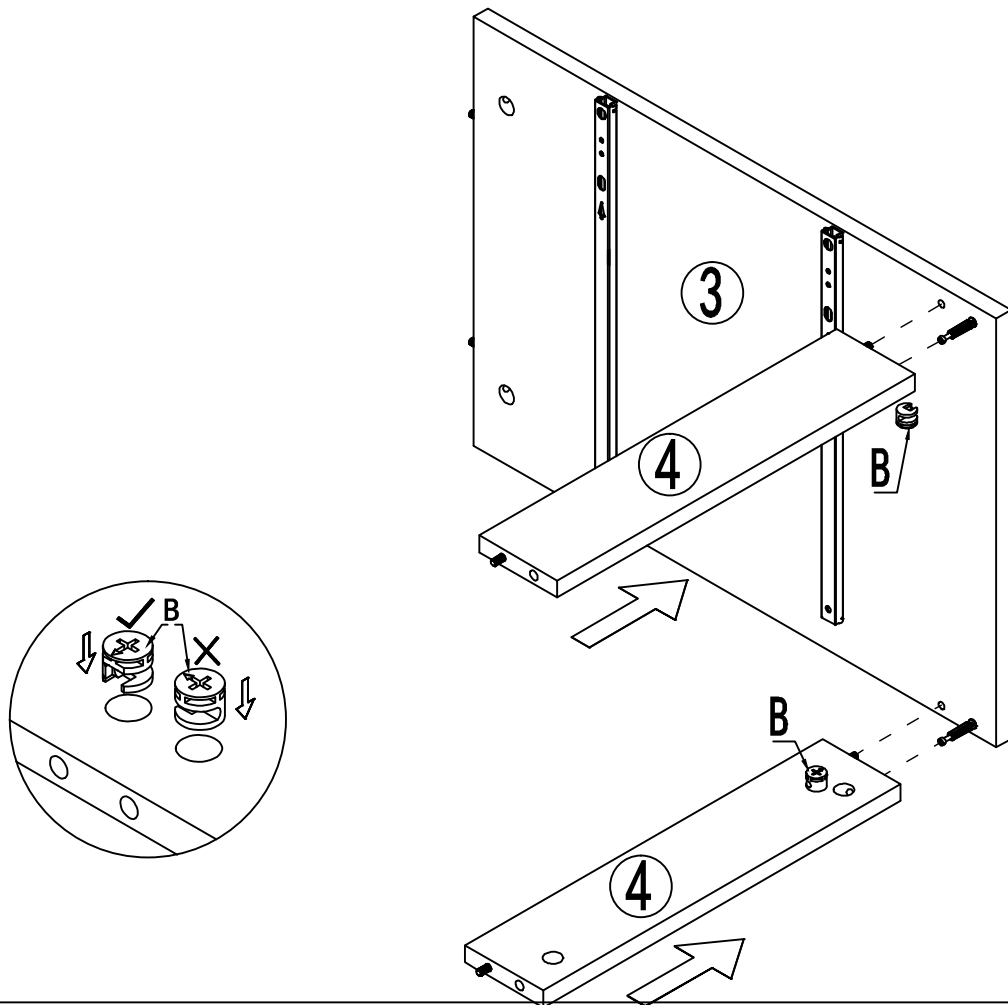


Screw in 4th and 22nd hole.

Make sure this arrow on the runners is pointing towards the veneer edge

Step 4

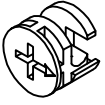
| | |
|--|--|
| B=2 | |
|  | |
| Lock | |



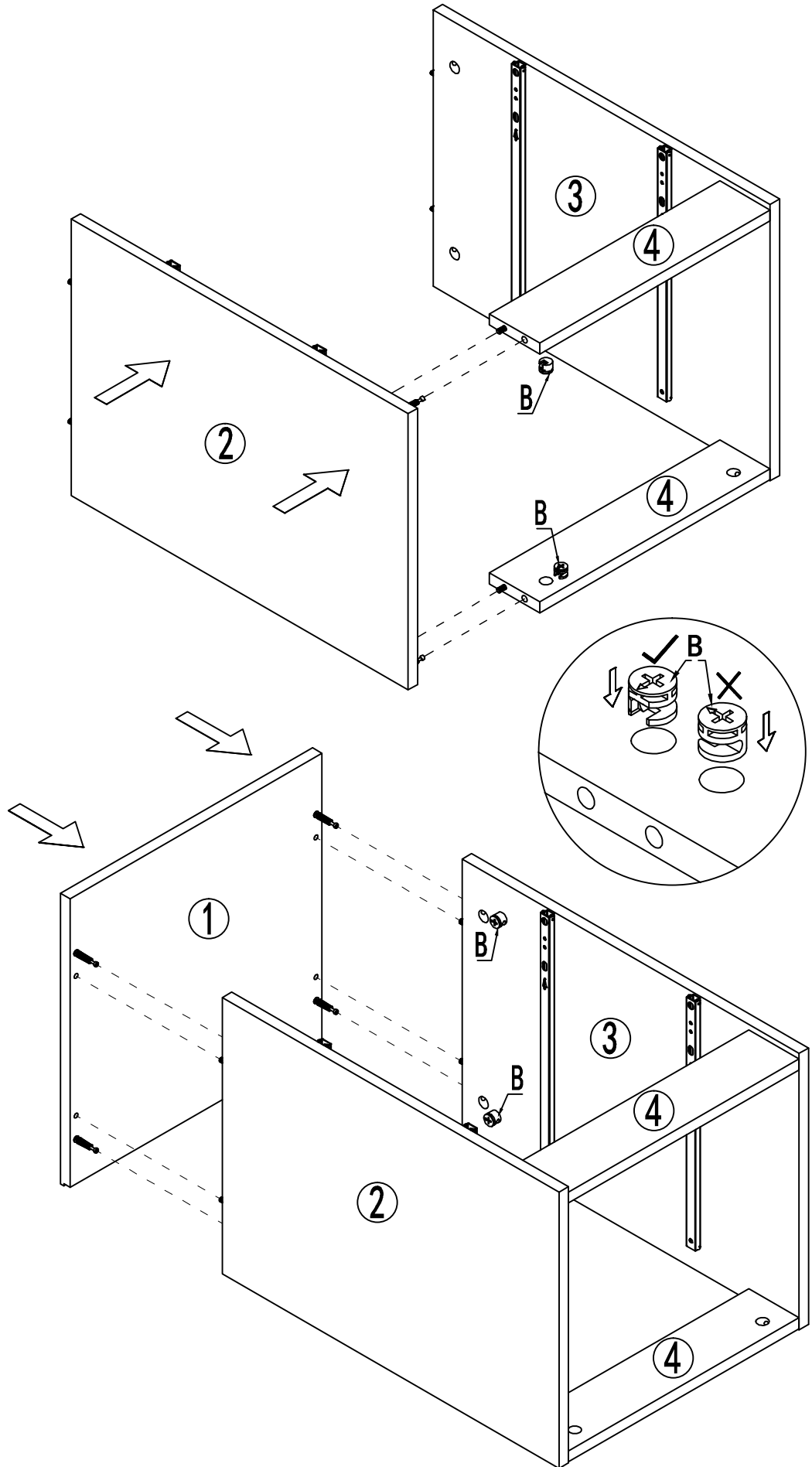
Assembly Instruction

Step 5

B=2

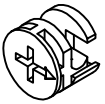


Lock

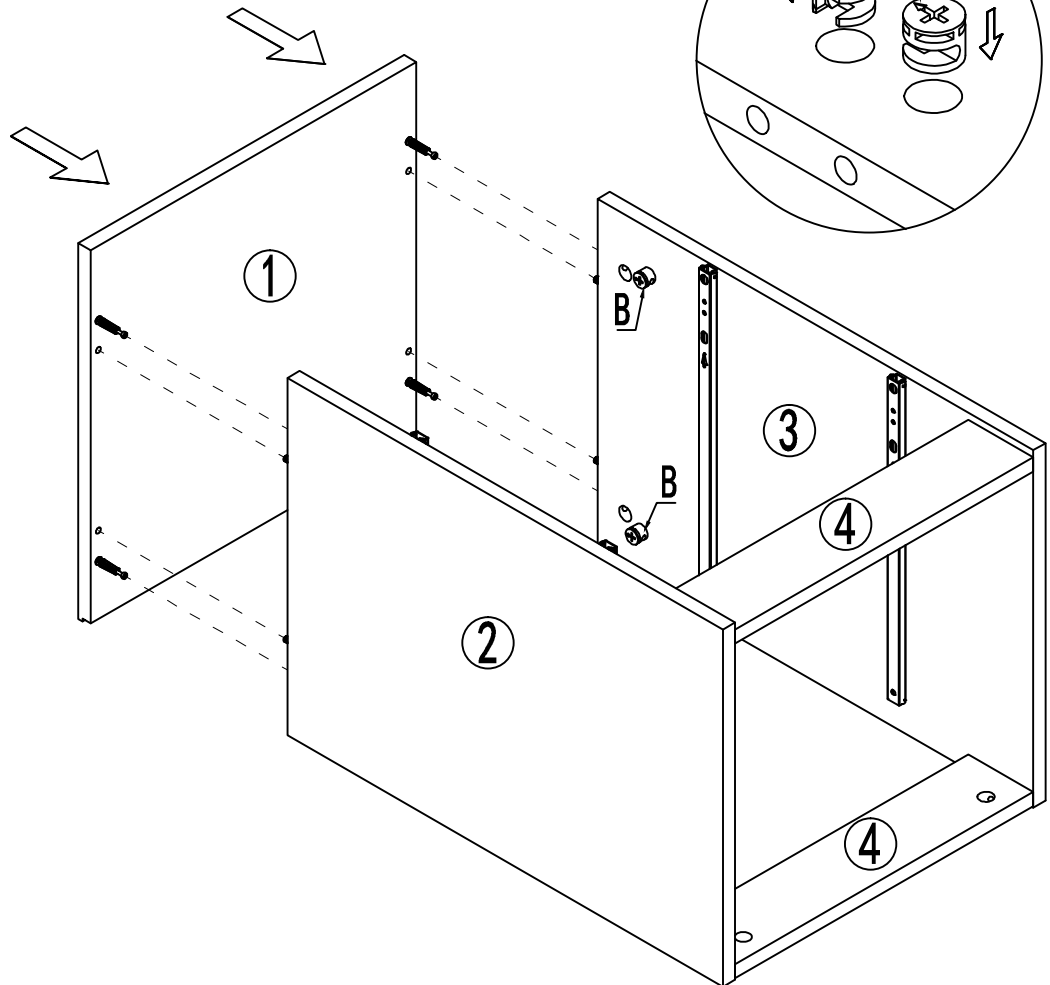


Step 6

B=4



Lock



Assembly Instruction

Step 7

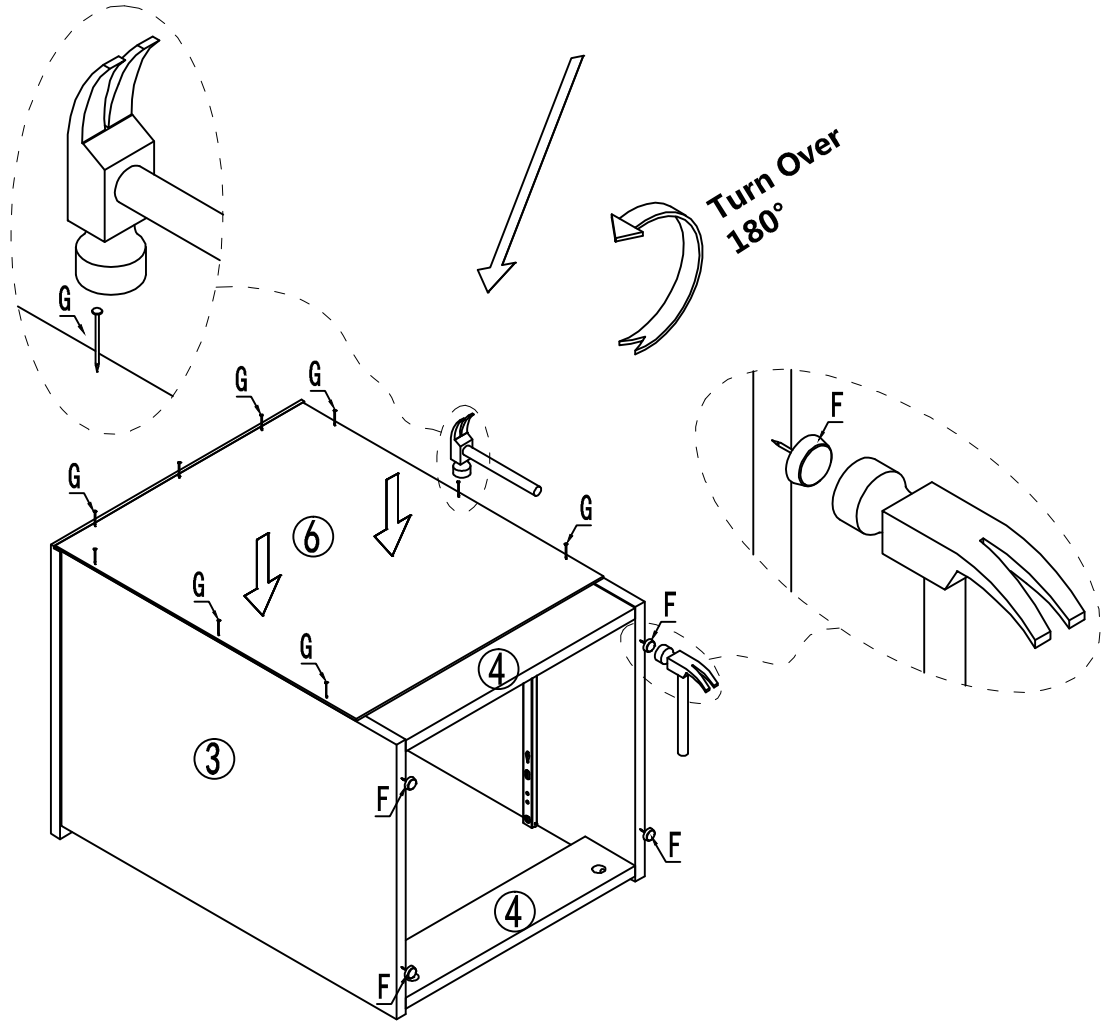
G=9

F=4



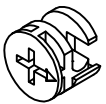
Pin

Plastic
Foot

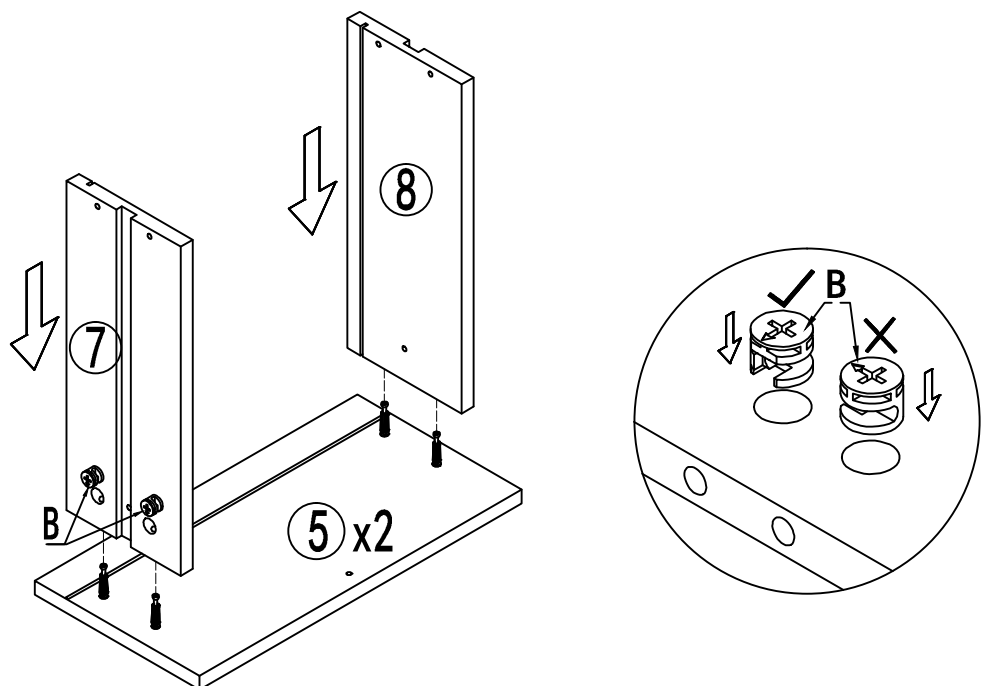


Step 8

B=8



Lock



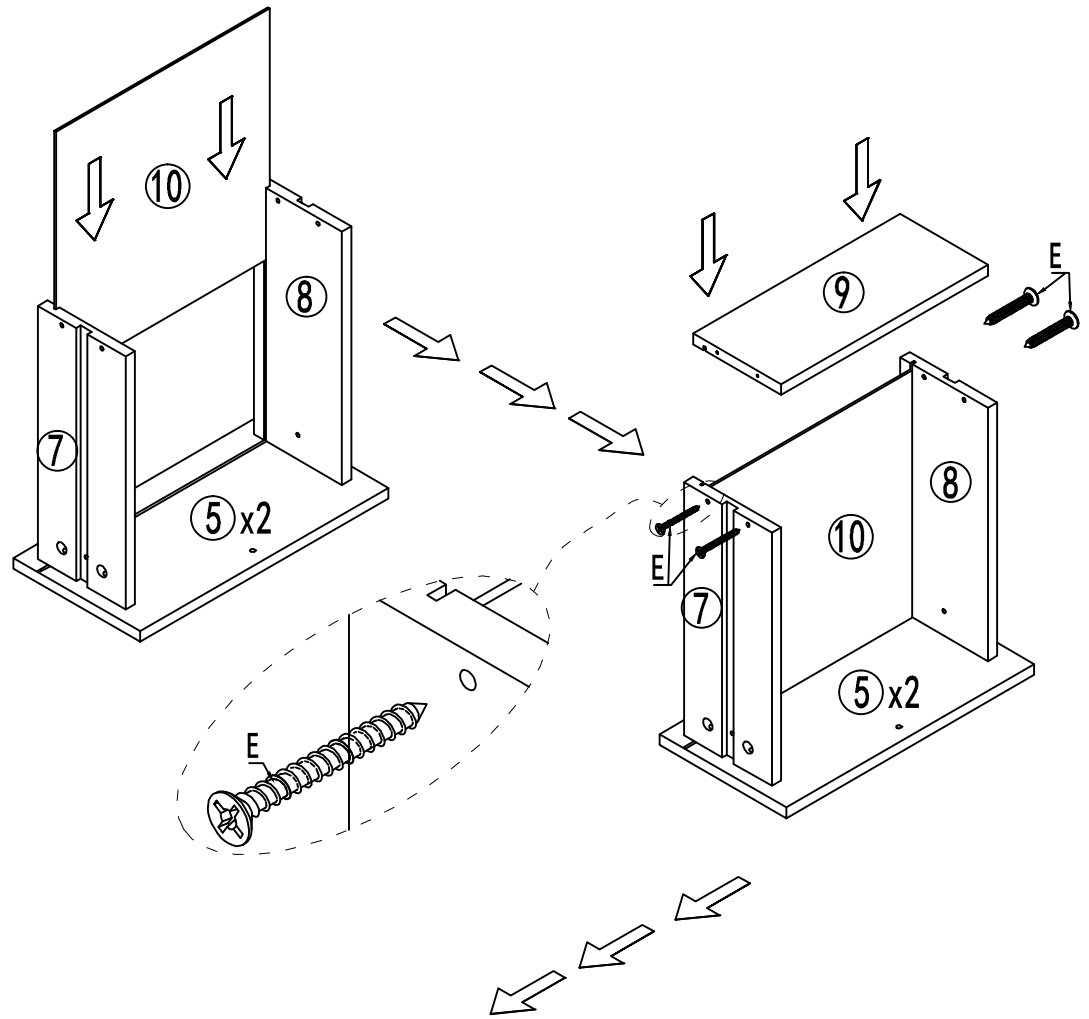
Assembly Instruction

Step 9

E=8



Screw
M4*38



Step 10

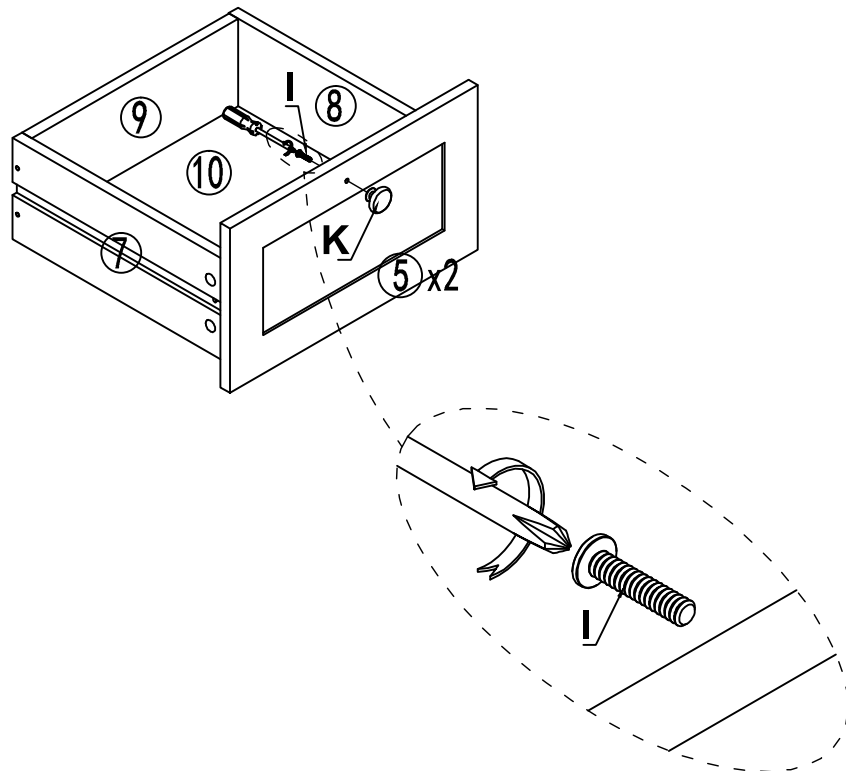
I=2

K=2



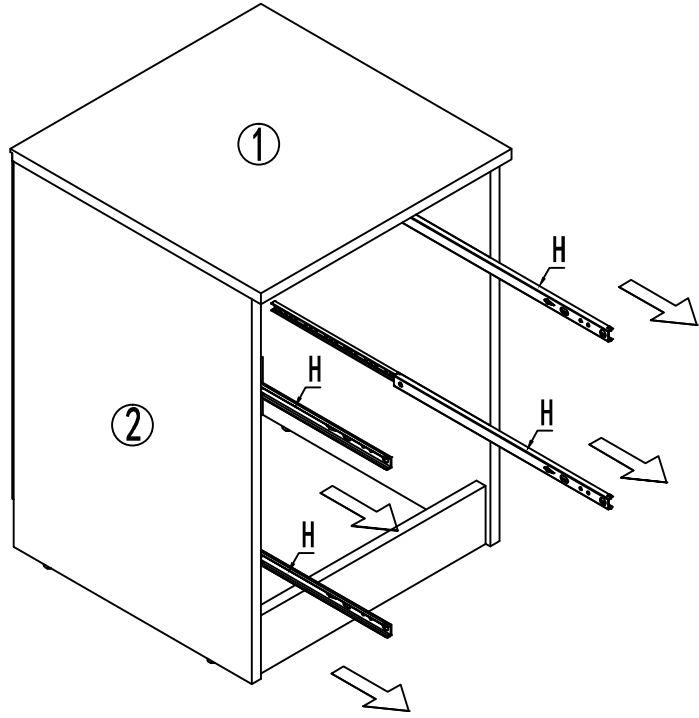
Screw

Handle

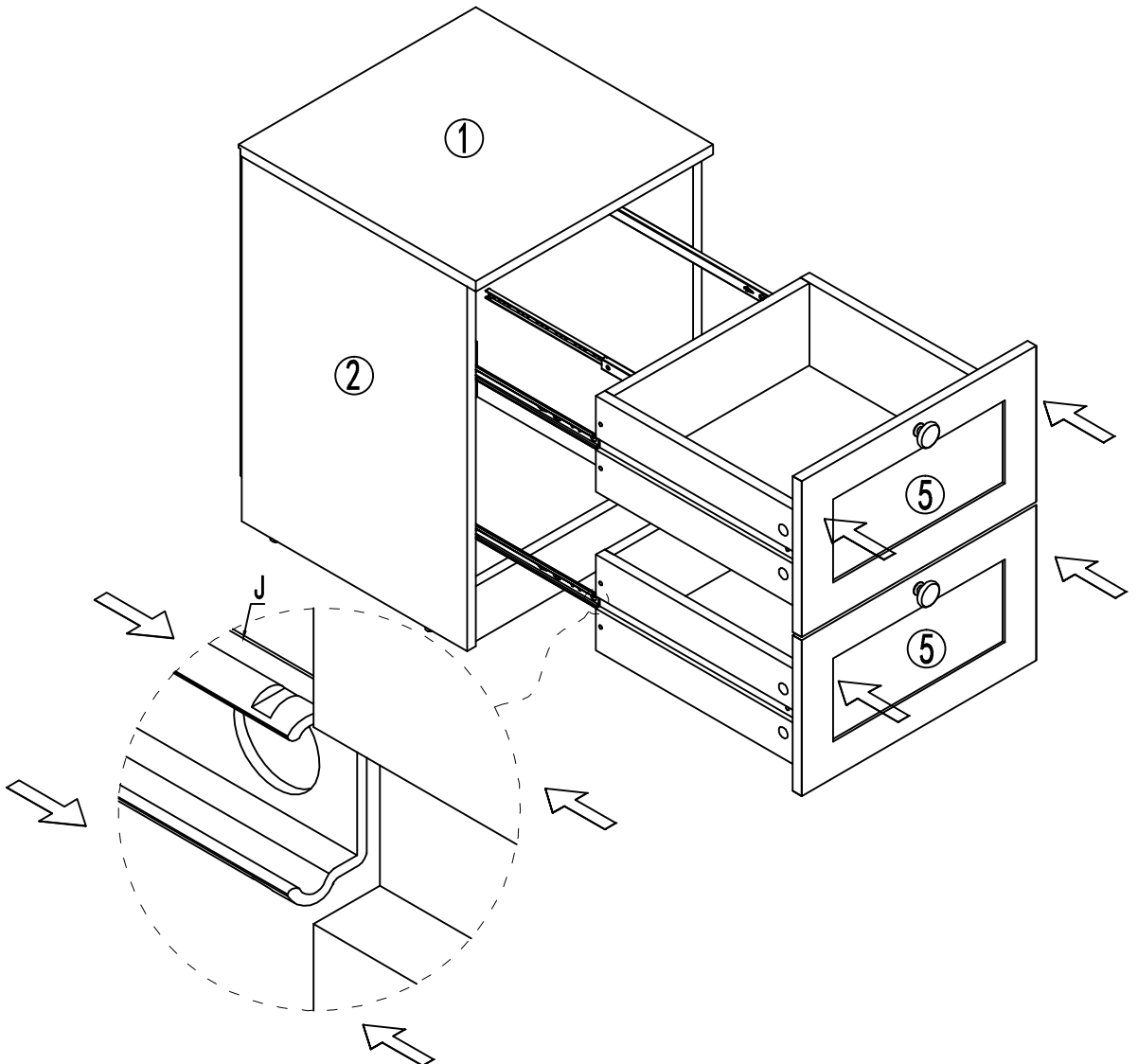


Assembly Instruction

Step 11



Step 12



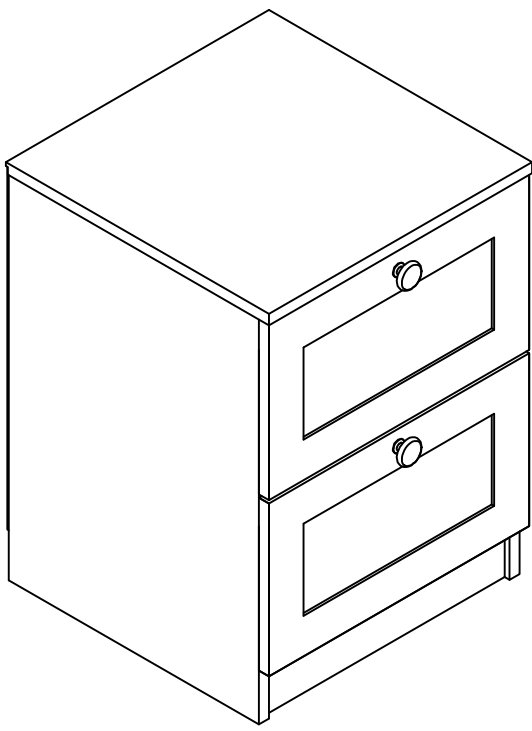
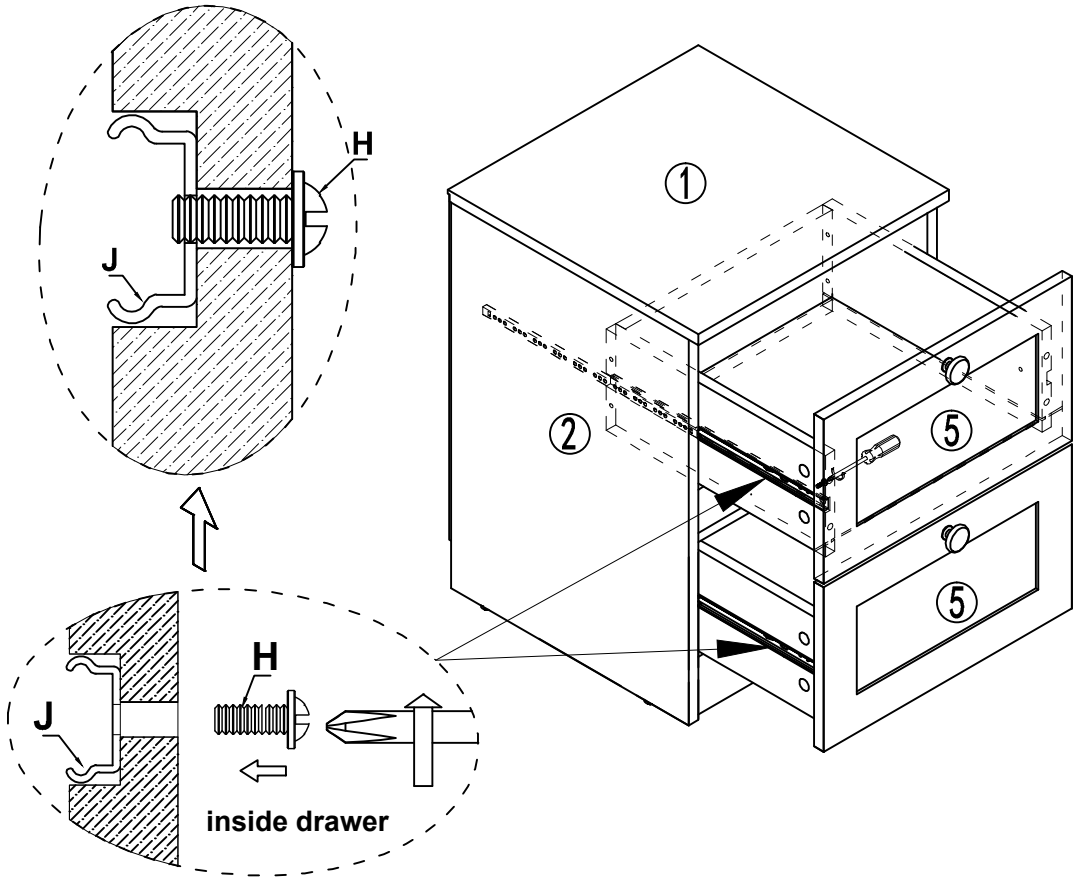
Assembly Instruction

Step 13

H=4



Screw
M4*12mm



OK